



US00D662469S

(12) **United States Design Patent**
Mulder et al.

(10) **Patent No.:** **US D662,469 S**
(45) **Date of Patent:** **** Jun. 26, 2012**

(54) **BATTERY CHARGER**

(75) Inventors: **Mitch Mulder**, Grand Rapids, MI (US);
Ping Xu, Nanjing (CN)

(73) Assignee: **Chervon (HK) Limited**, Hong Kong
(HK)

(**) Term: **14 Years**

(21) Appl. No.: **29/404,385**

(22) Filed: **Oct. 20, 2011**

(30) **Foreign Application Priority Data**

May 19, 2011 (CN) 2011 3 0126234

(51) **LOC (9) Cl.** **13-02**

(52) **U.S. Cl.** **D13/107**

(58) **Field of Classification Search** D13/107-110,
D13/118-119, 184; D14/251, 253, 432,
D14/434; 320/107-115

See application file for complete search history.

(56) **References Cited**

U.S. PATENT DOCUMENTS

D327,669 S * 7/1992 Sakamoto et al. D13/108

D404,006 S * 1/1999 Clowers et al. D13/107

D514,507 S * 2/2006 Cheung et al. D13/107

D541,740 S * 5/2007 Tsai et al D13/108
D573,089 S * 7/2008 Mandel et al. D13/107
D578,473 S * 10/2008 Okuda et al. D13/107
D583,314 S * 12/2008 Price et al. D13/107

* cited by examiner

Primary Examiner — Rosemary K Tarcza

(74) *Attorney, Agent, or Firm* — Greenberg Traurig, LLP

(57) **CLAIM**

What is claimed is the ornamental design for a battery charger, as shown and described.

DESCRIPTION

FIG. 1 is a front elevational view of a battery charger showing our new design;

FIG. 2 is a rear elevational view of the battery charger shown in FIG. 1;

FIG. 3 is a left side elevational view of the battery charger shown in FIG. 1;

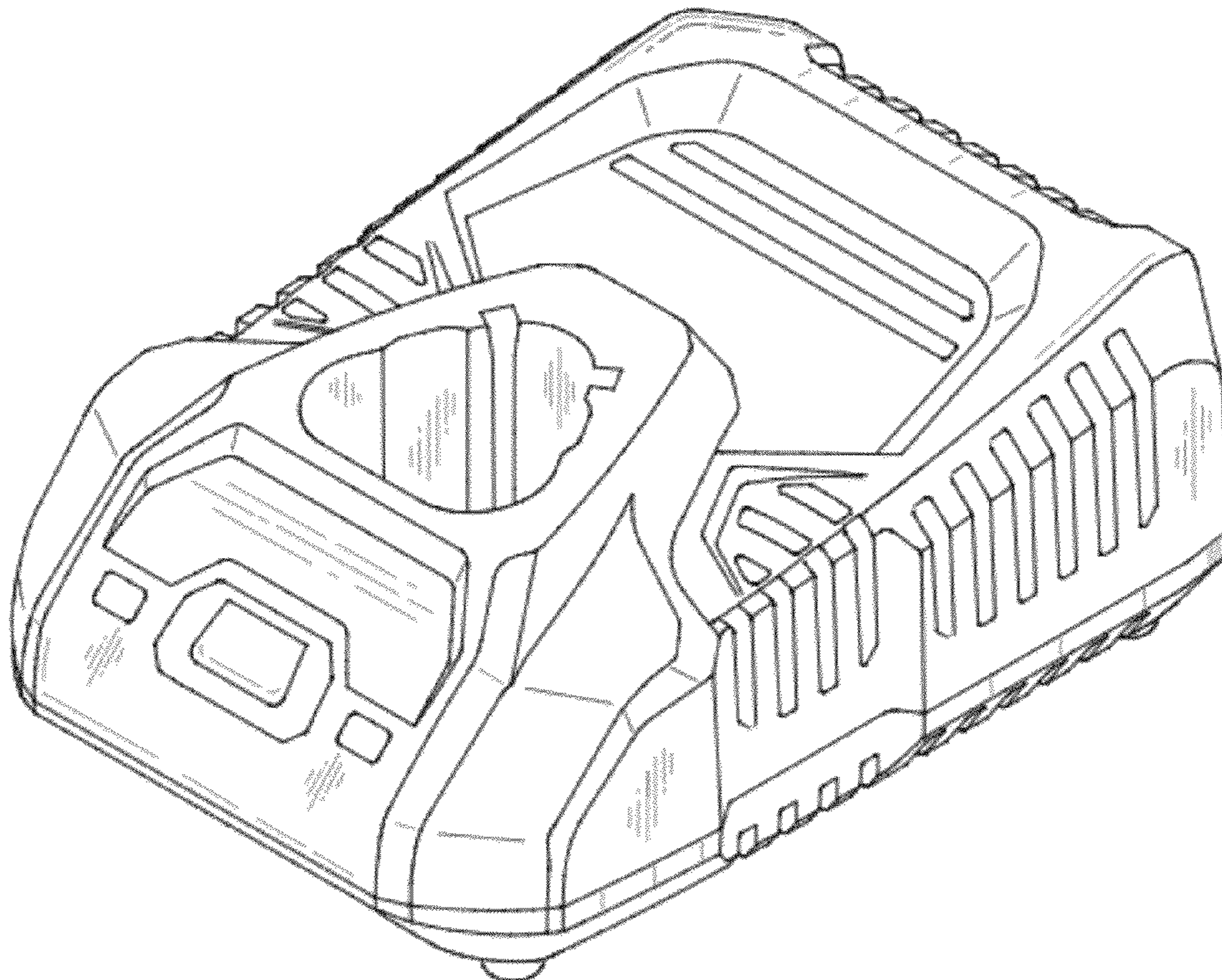
FIG. 4 is a right side elevational view of the battery charger shown in FIG. 1;

FIG. 5 is a top plan view of the battery charger shown in FIG. 1;

FIG. 6 is a bottom plan view of the battery charger shown in FIG. 1; and,

FIG. 7 is a perspective view of the battery charger shown in FIG. 1.

1 Claim, 6 Drawing Sheets



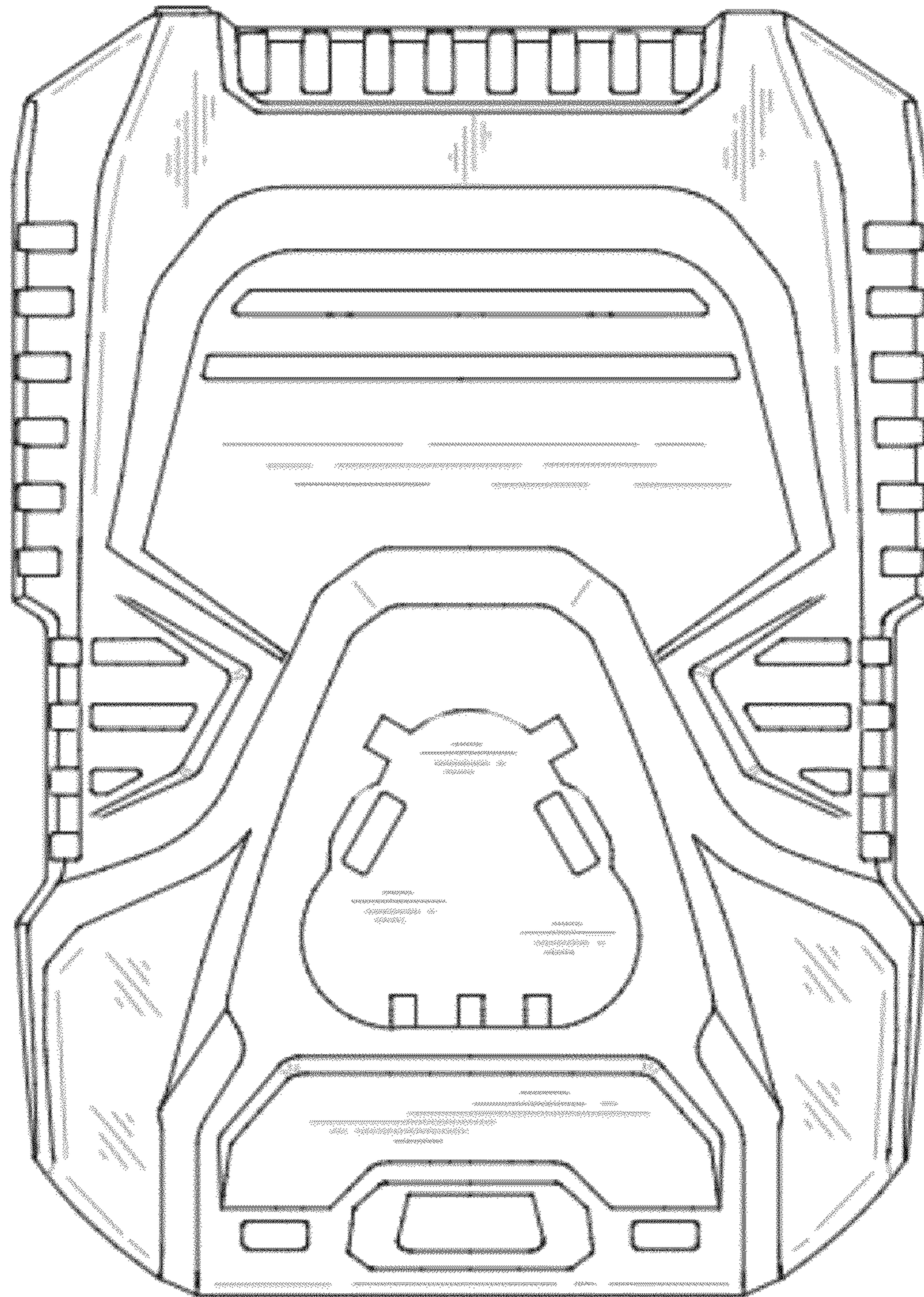


Fig. 1

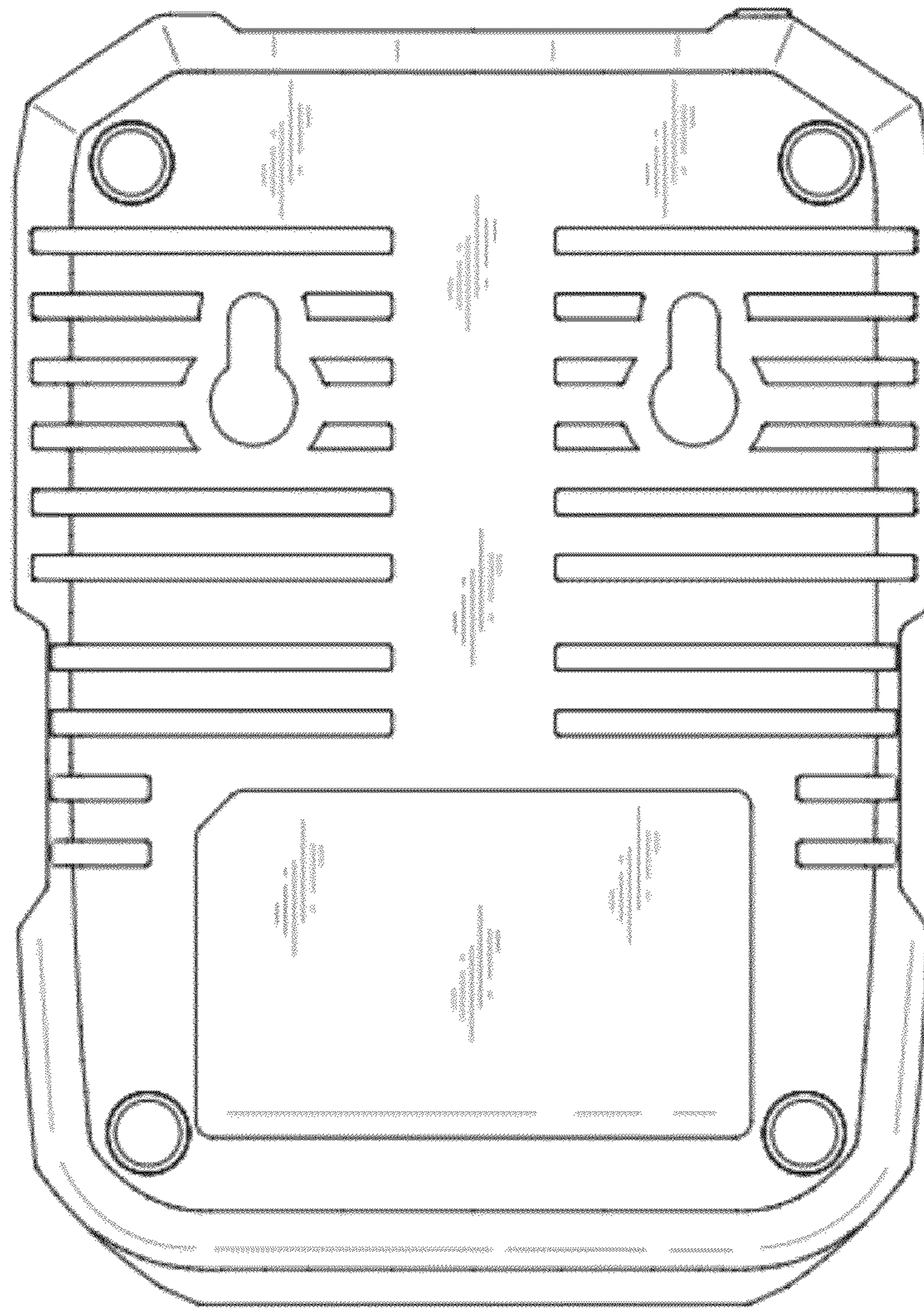


Fig. 2

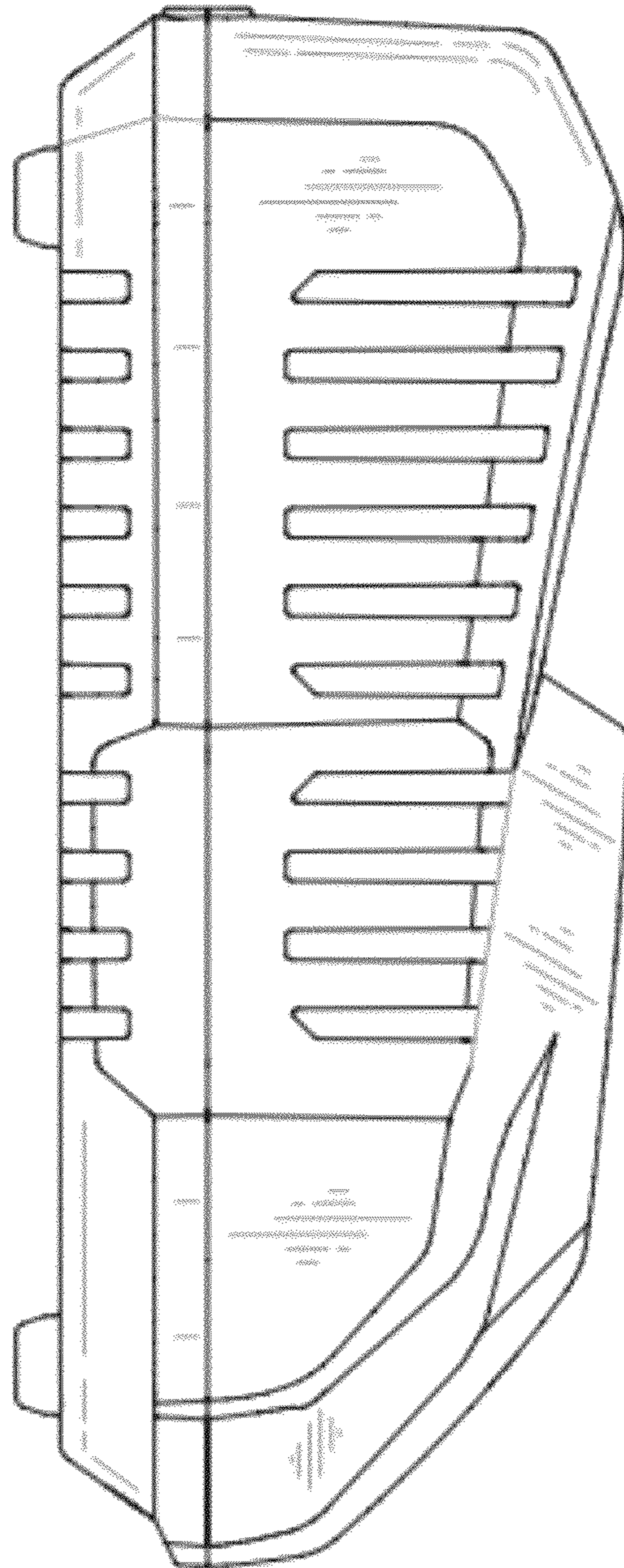


Fig. 3

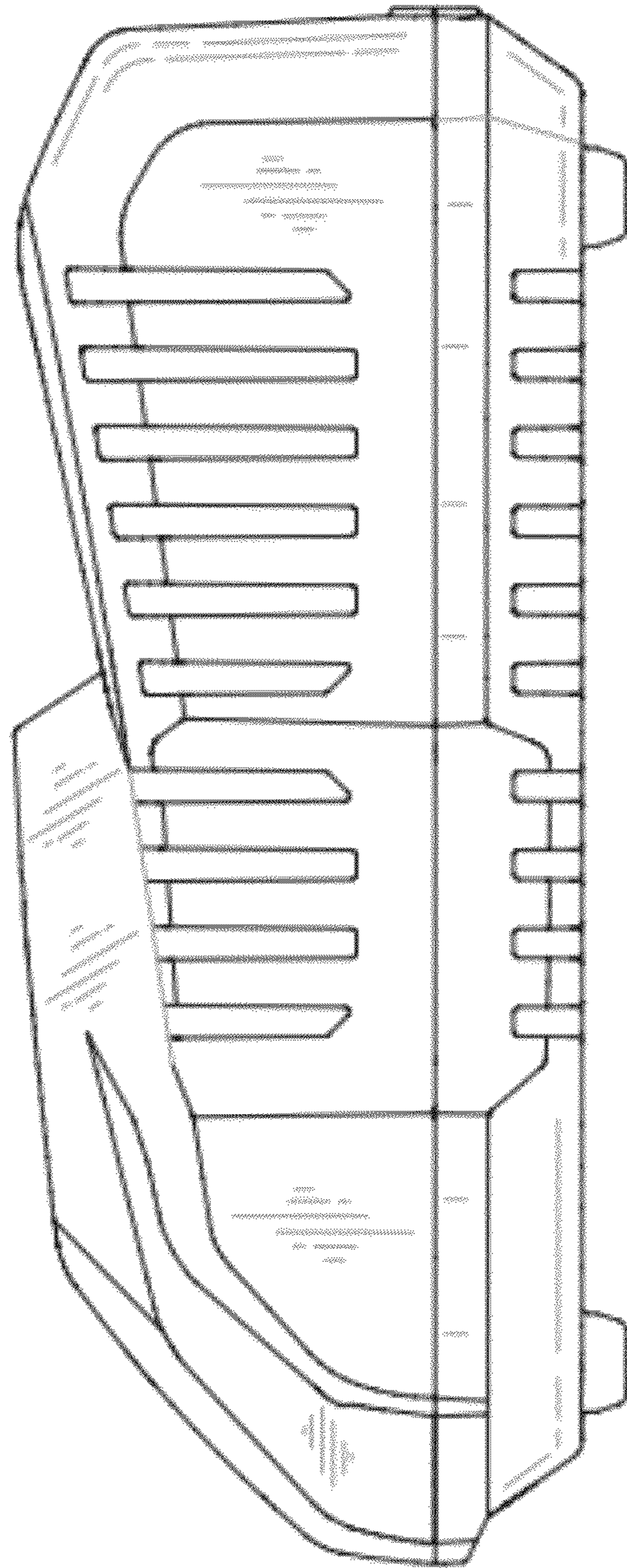


Fig. 4

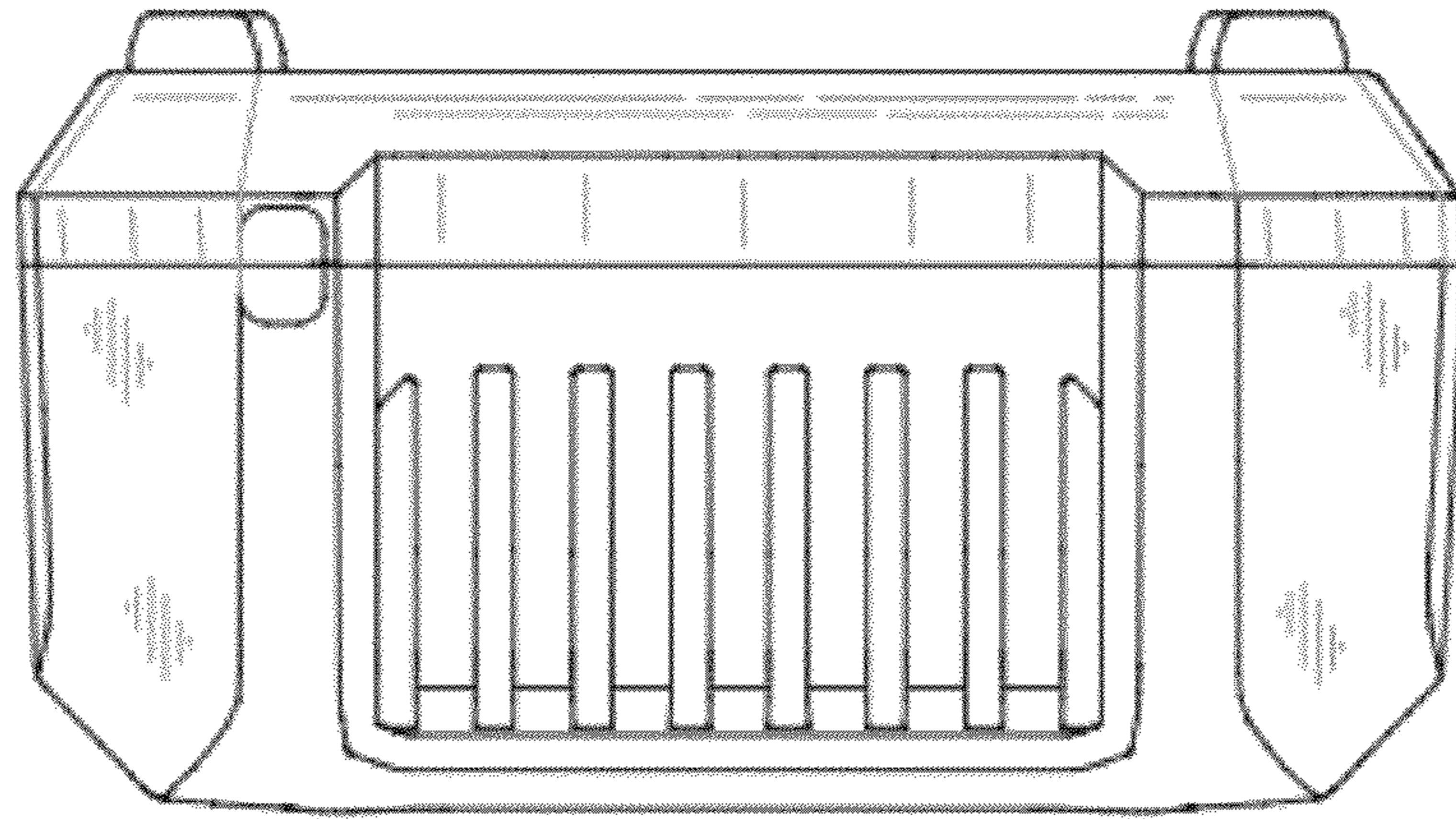


Fig. 5

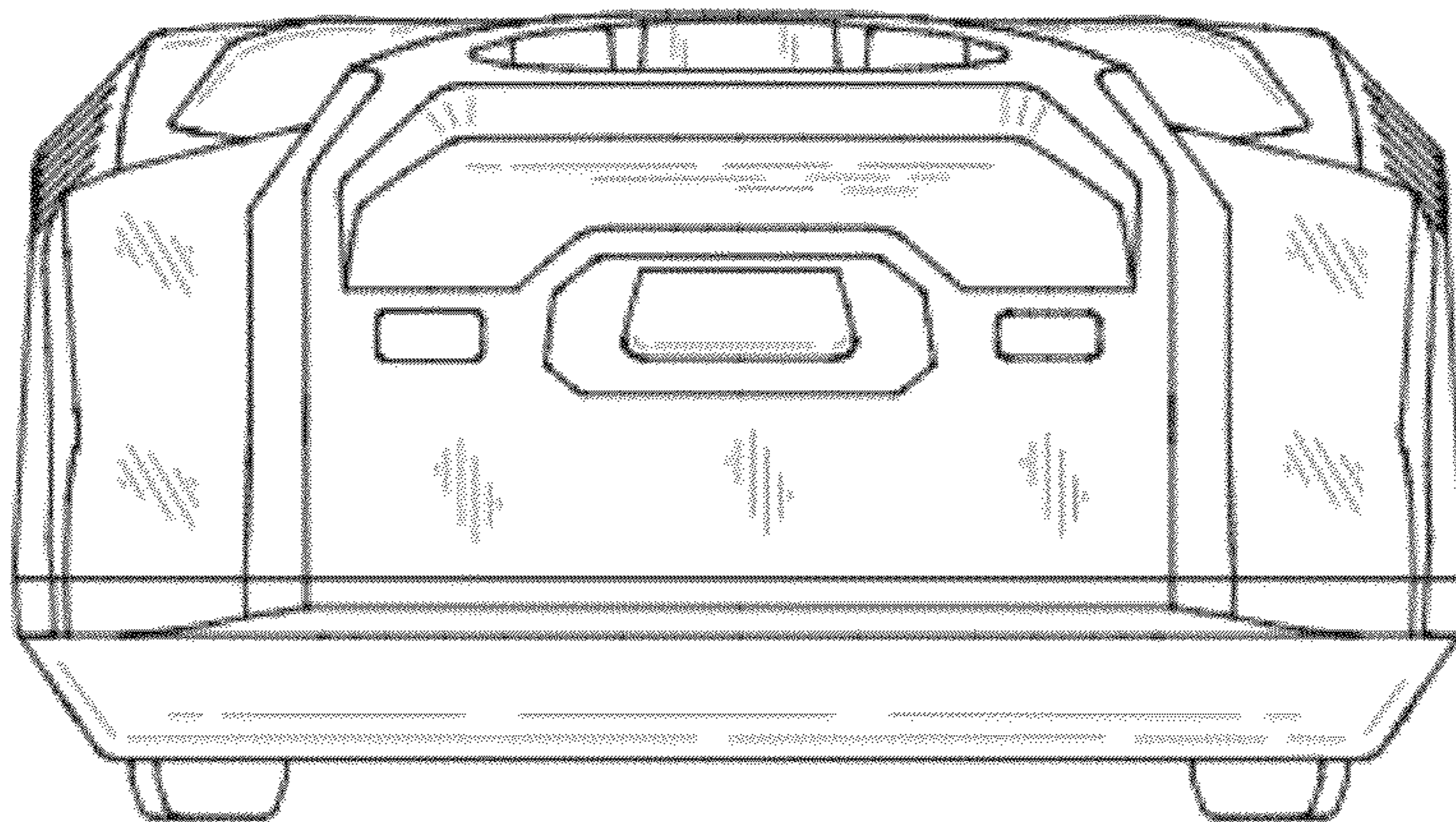


Fig. 6

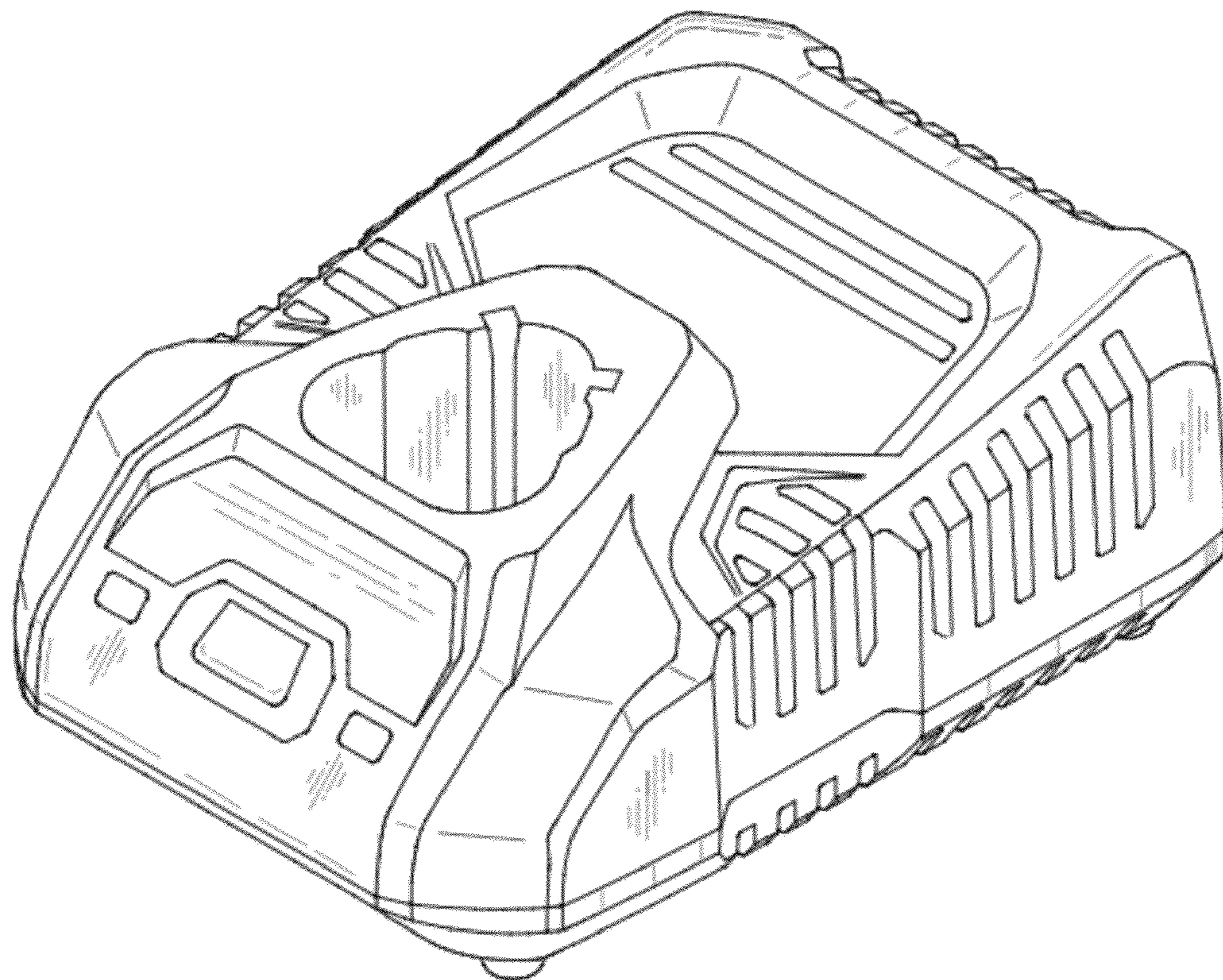


Fig. 7