

US00D662467S

(12) **United States Design Patent**
Nishimura et al.

(10) **Patent No.:** **US D662,467 S**
(45) **Date of Patent:** **** Jun. 26, 2012**

(54) **BATTERY FOR COMPUTER**

(75) Inventors: **Hiroaki Nishimura**, Osaka (JP);
Shintaro Tanaka, Osaka (JP)

(73) Assignee: **Panasonic Corporation**, Osaka (JP)

(**) Term: **14 Years**

(21) Appl. No.: **29/409,058**

(22) Filed: **Dec. 20, 2011**

(51) **LOC (9) Cl.** **13-02**

(52) **U.S. Cl.** **D13/103**

(58) **Field of Classification Search** D13/102–106,
D13/110, 118–119, 184; 429/96–100, 163,
429/176

See application file for complete search history.

(56) **References Cited**

U.S. PATENT DOCUMENTS

D406,561 S *	3/1999	Goto	D13/103
D421,244 S *	2/2000	Goto	D13/103
D431,227 S *	9/2000	Ogasawara	D13/103
D448,003 S *	9/2001	Ogasawara	D13/103
D461,163 S	8/2002	Hirano et al.		
D521,448 S *	5/2006	Yokota	D13/103
D539,730 S *	4/2007	Kawase	D13/103
D580,350 S *	11/2008	Iseki	D13/103

D580,850 S *	11/2008	Iseki	D13/103
D603,330 S *	11/2009	Iseki	D13/103
D616,362 S *	5/2010	Chang et al.	D13/103
D654,851 S *	2/2012	Tanaka	D13/103

FOREIGN PATENT DOCUMENTS

JP	D1077302	7/2000
JP	D1414274	5/2011

* cited by examiner

Primary Examiner — Rosemary K Tarcza

(74) *Attorney, Agent, or Firm* — Brinks Hofer Gilson & Lione

(57) **CLAIM**

We claim the ornamental design for a battery for computer, as shown and described.

DESCRIPTION

FIG. 1 is a front perspective view of a battery for computer of the present invention;

FIG. 2 is a rear perspective view thereof;

FIG. 3 is a front view thereof;

FIG. 4 is a rear view thereof;

FIG. 5 is a first side view thereof;

FIG. 6 is a second side view thereof;

FIG. 7 is a top view thereof; and,

FIG. 8 is a bottom view thereof.

1 Claim, 8 Drawing Sheets

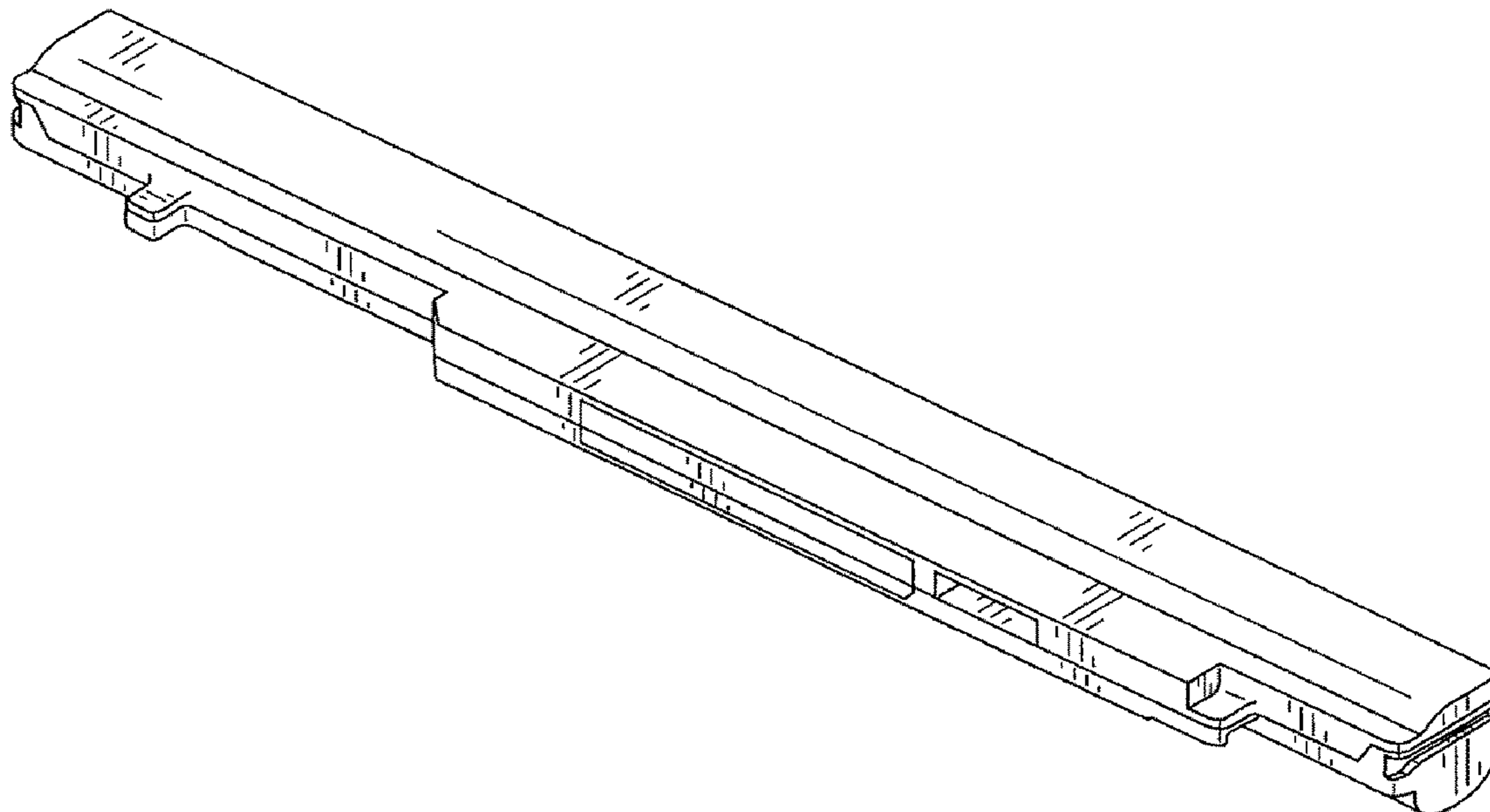


FIG.1

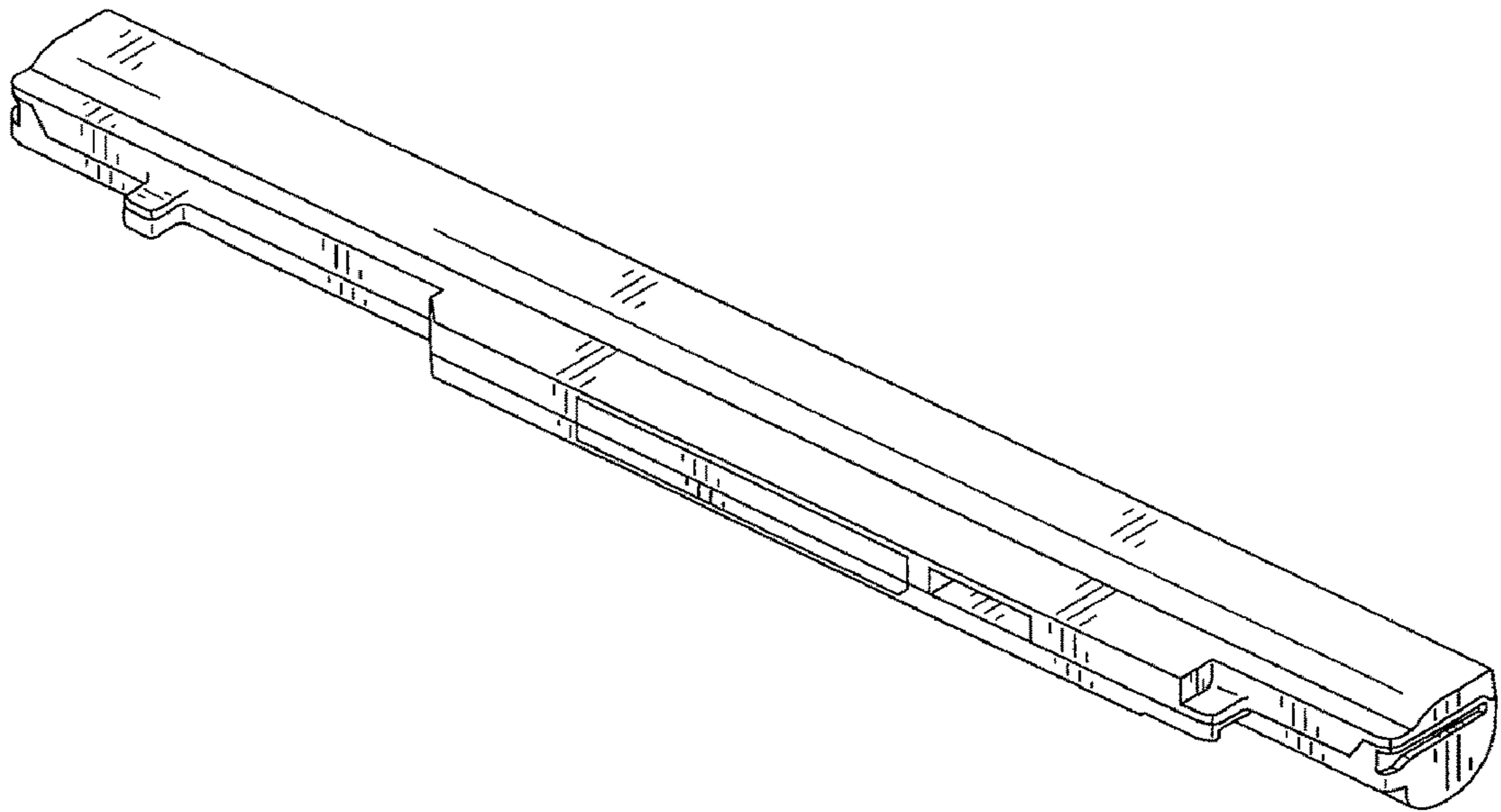


FIG.2

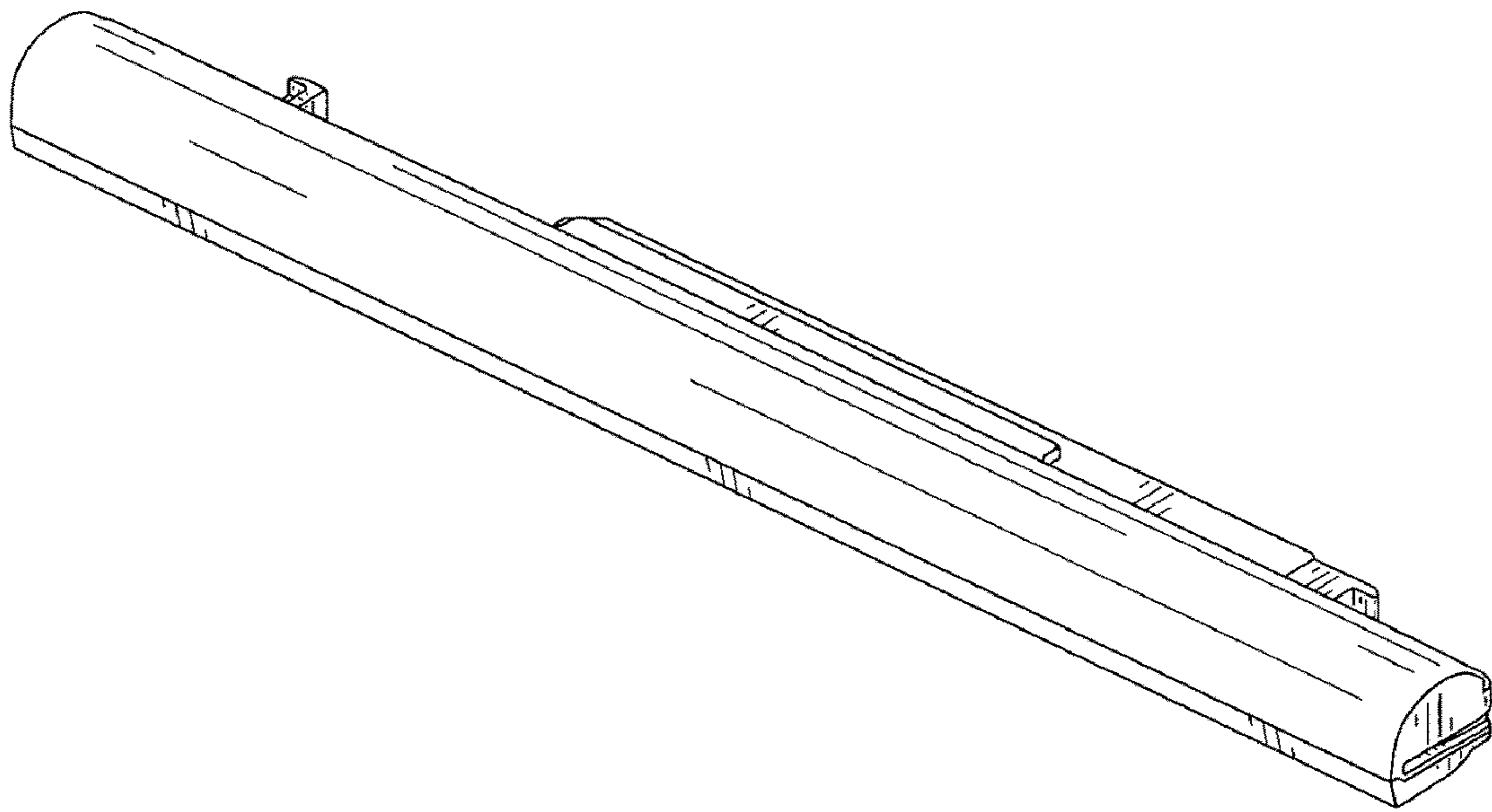


FIG.3

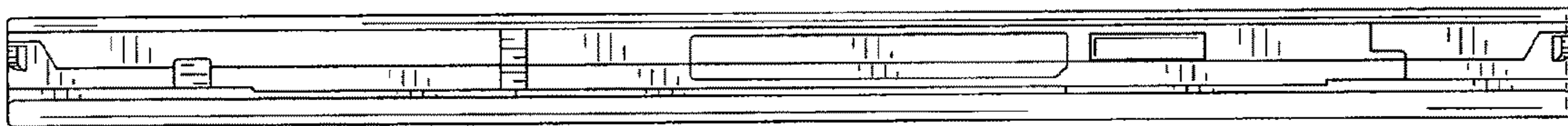


FIG.4



FIG.5

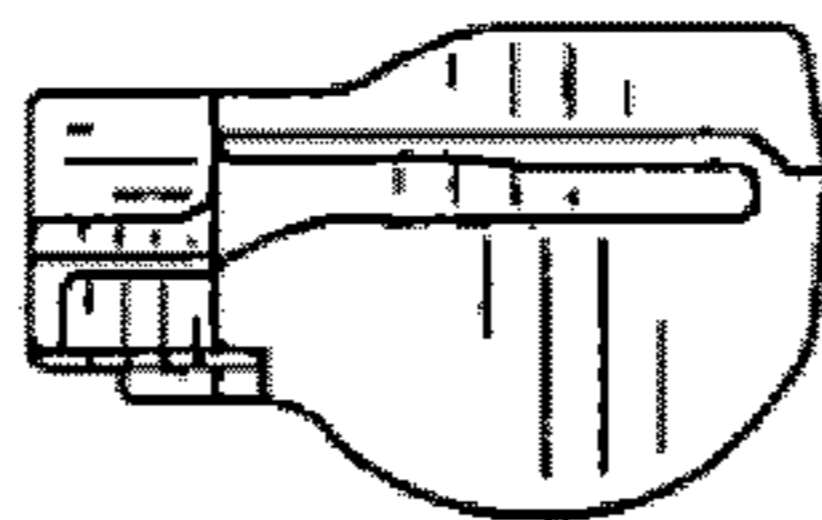


FIG.6

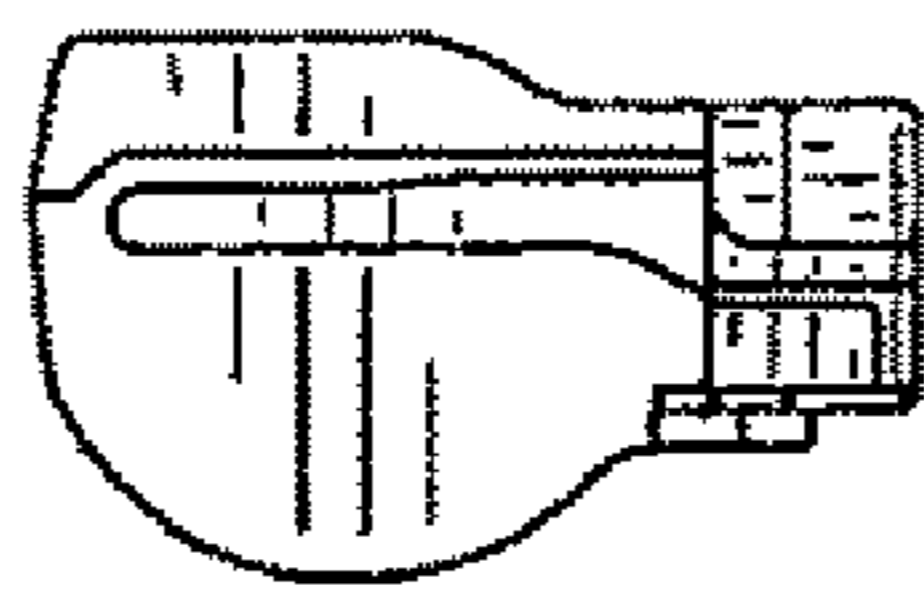


FIG.7

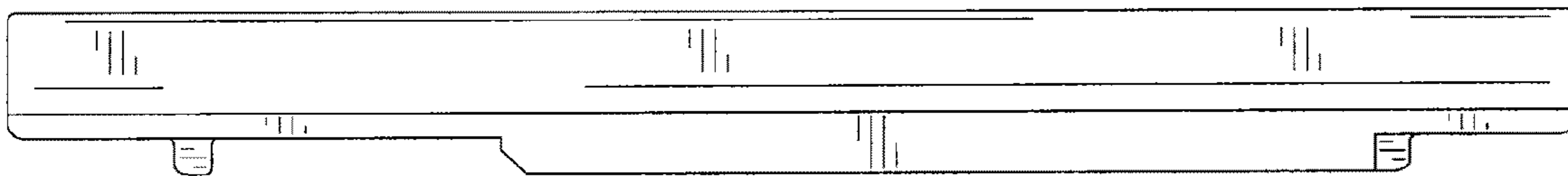


FIG.8

