

US00D662463S

(12) **United States Design Patent**
Youn

(10) **Patent No.:** **US D662,463 S**

(45) **Date of Patent:** **** Jun. 26, 2012**

(54) **AUTOMOBILE TIRE**

(75) Inventor: **Sung Hee Youn**, Seoul (KR)

(73) Assignee: **Hankook Tire Co., Ltd.**, Seoul (KR)

(**) Term: **14 Years**

(21) Appl. No.: **29/378,331**

(22) Filed: **Nov. 2, 2010**

(51) **LOC (9) Cl.** **12-16**

(52) **U.S. Cl.** **D12/601**

(58) **Field of Classification Search** D12/58-603;
152/209.1-209.28

See application file for complete search history.

(56) **References Cited**

U.S. PATENT DOCUMENTS

D400,831 S	*	11/1998	Blankenship et al.	D12/586
D452,201 S	*	12/2001	Regallis et al.	D12/601
D498,460 S	*	11/2004	Himuro	D12/601
D621,779 S	*	8/2010	Yonetsu	D12/586
D642,975 S	*	8/2011	Givens et al.	D12/601

* cited by examiner

Primary Examiner — George D Kirschbaum

(74) *Attorney, Agent, or Firm* — Blakely, Sokoloff, Taylor & Zafman LLP.

(57) **CLAIM**

I claim, the ornamental design for an automobile tire, as shown and described.

DESCRIPTION

FIG. 1 is a top and front perspective view of an automobile tire, with the sidewall structure removed for clarity of disclosure, showing my new design;

FIG. 2 is a front elevational view thereof;

FIG. 3 is a rear elevational view thereof;

FIG. 4 is a left side elevational view thereof;

FIG. 5 is a right side elevational view thereof;

FIG. 6 is a top plan view thereof;

FIG. 7 is a bottom plan view thereof;

FIG. 8 is an enlarged cross-sectional elevational view taken along line -8-8- of FIG. 2; and,

FIG. 9 is a partially enlarged view of the front elevational view taken between lines -9-9- of FIG. 2.

In the drawings, the broken lines defining the sidewall, inner bead and the peripheral boundary between the claimed tire tread and the unclaimed sidewall depict environmental subject matter that forms no part of the claimed design.

1 Claim, 8 Drawing Sheets

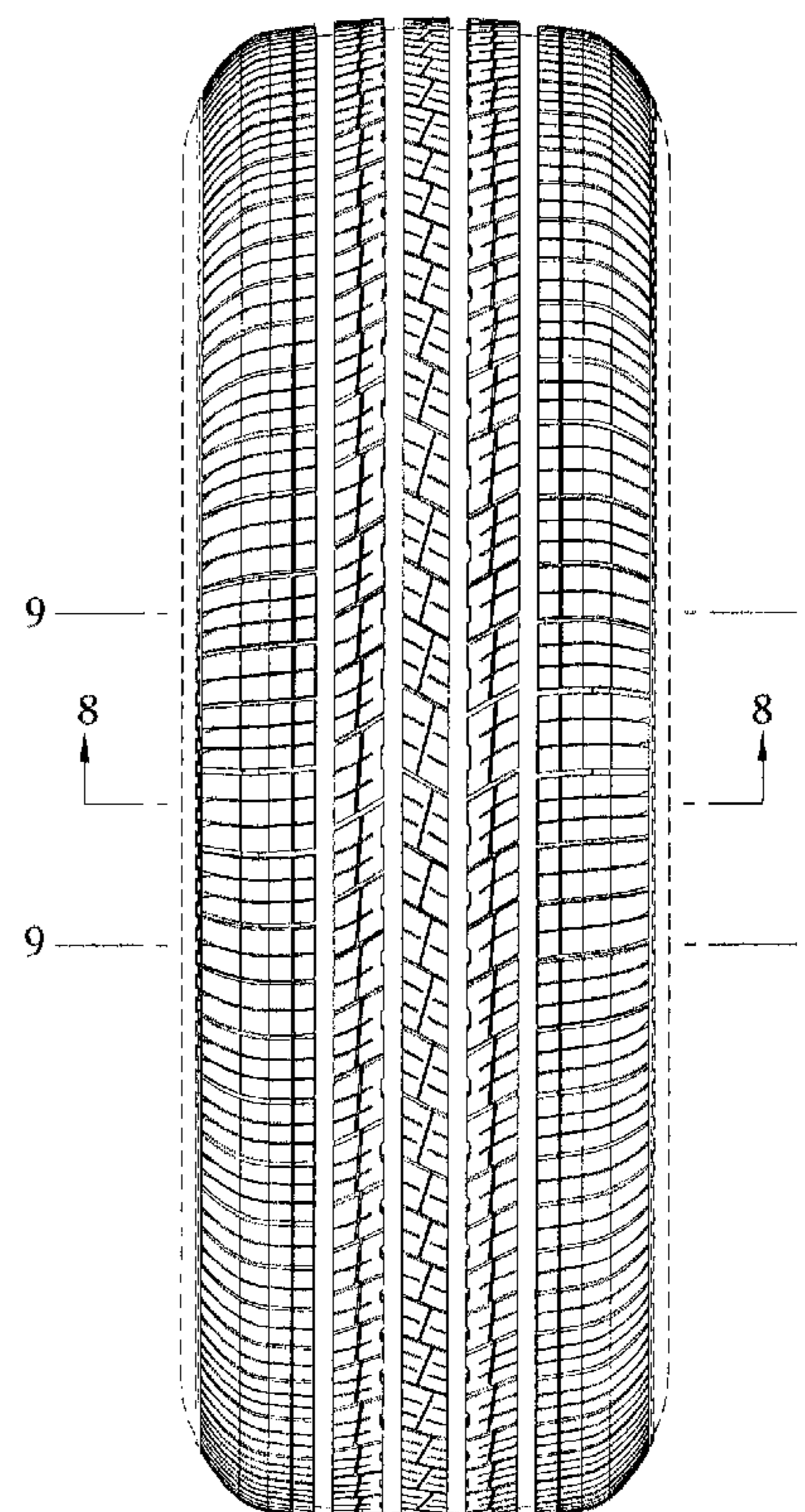
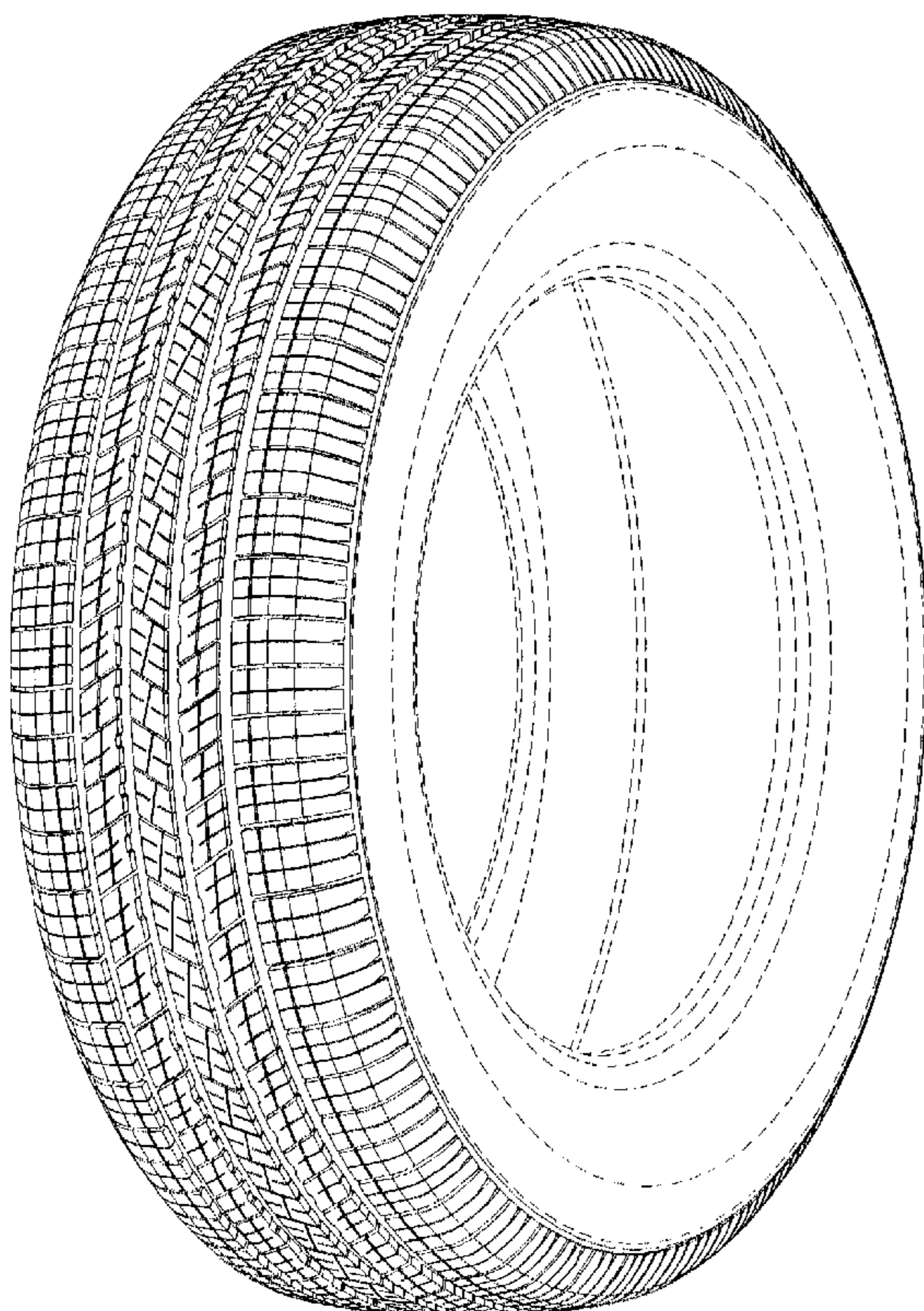


FIG. 1

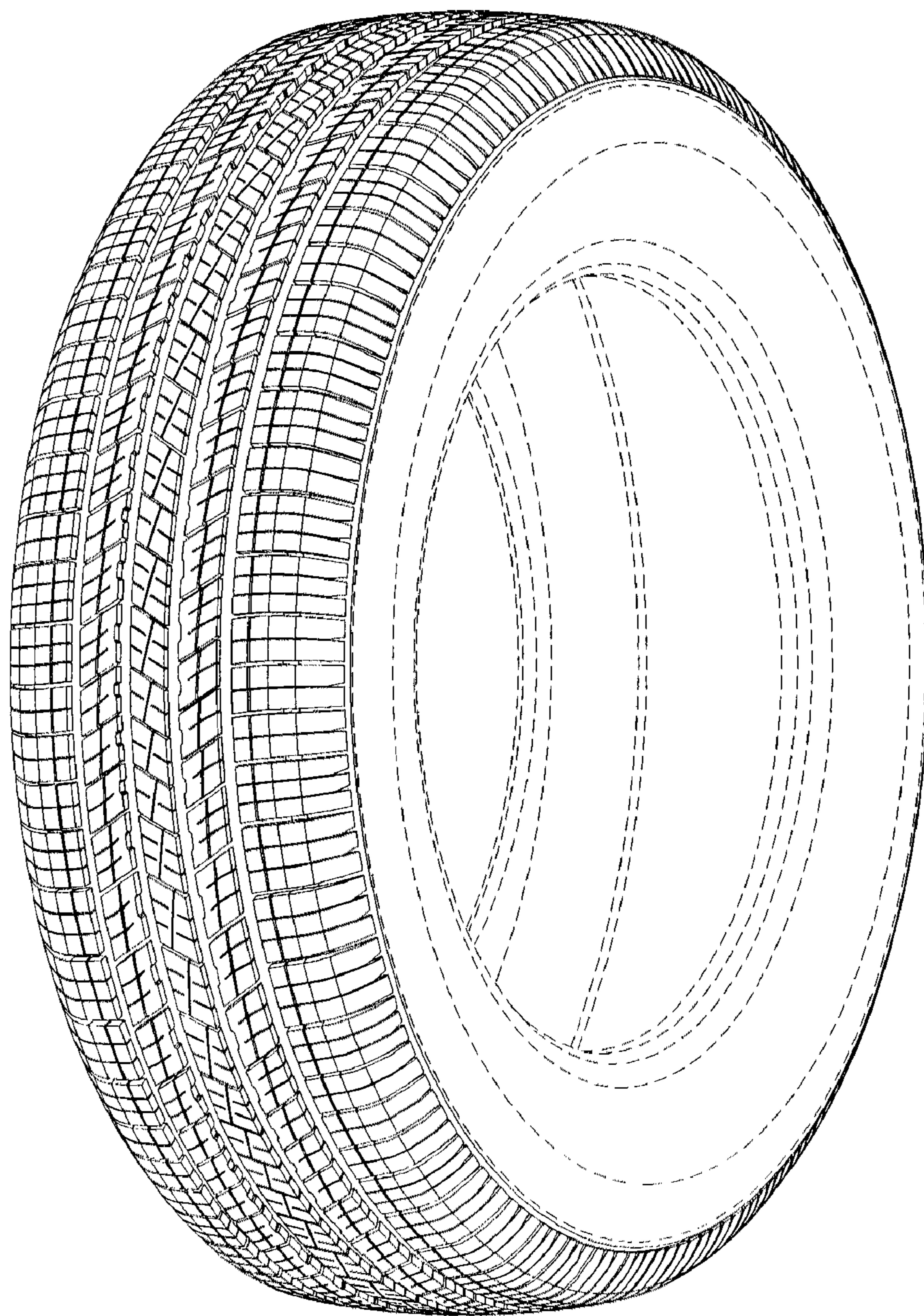


FIG. 2

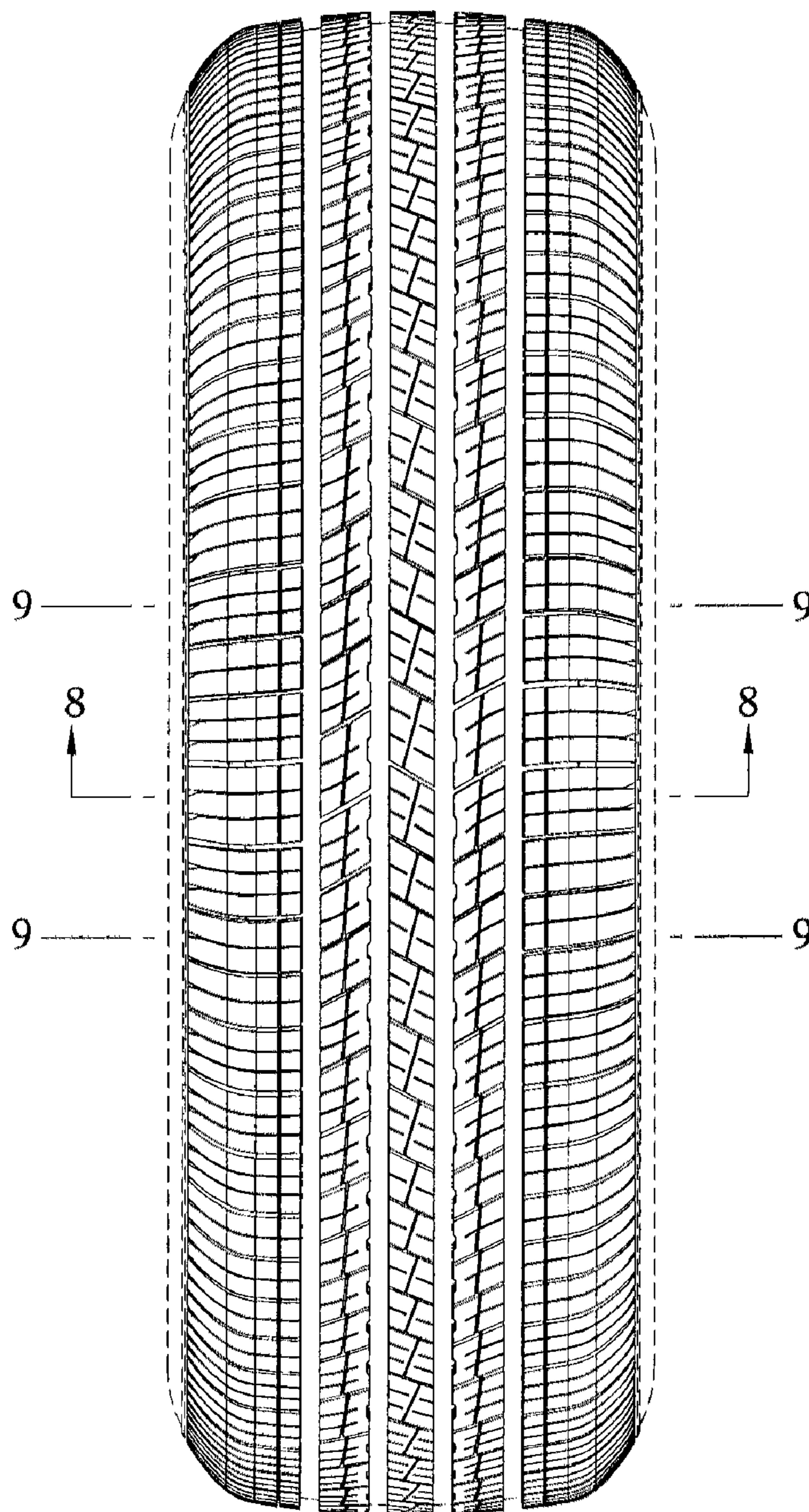


FIG. 3

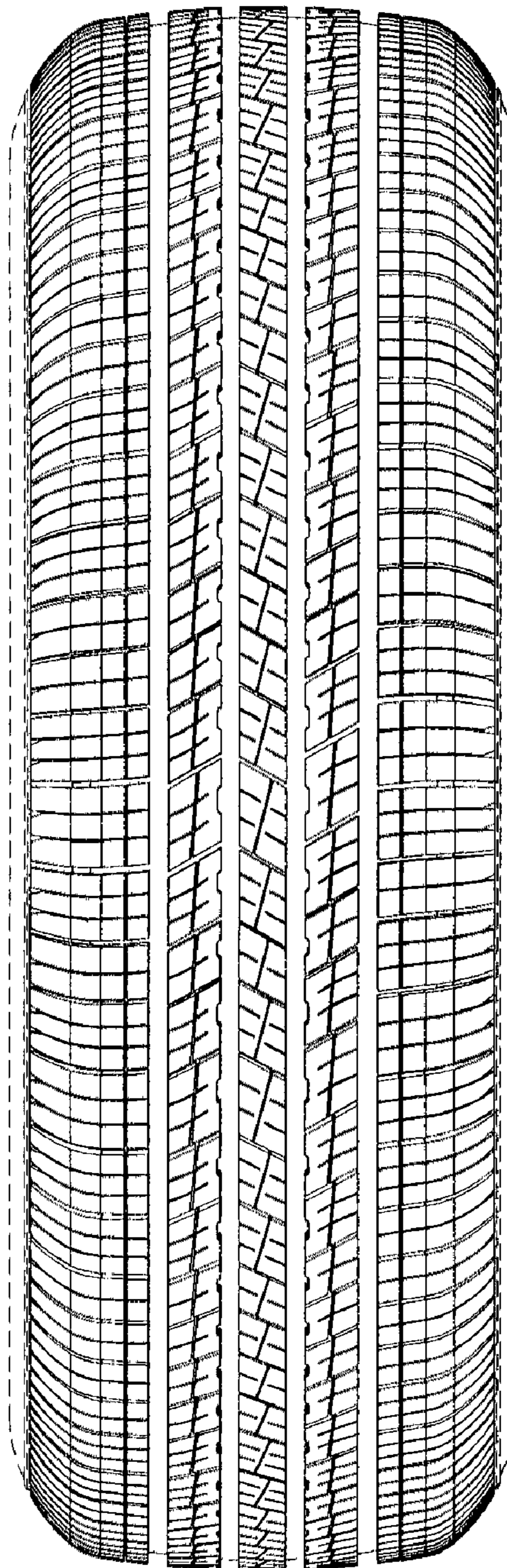


FIG. 4

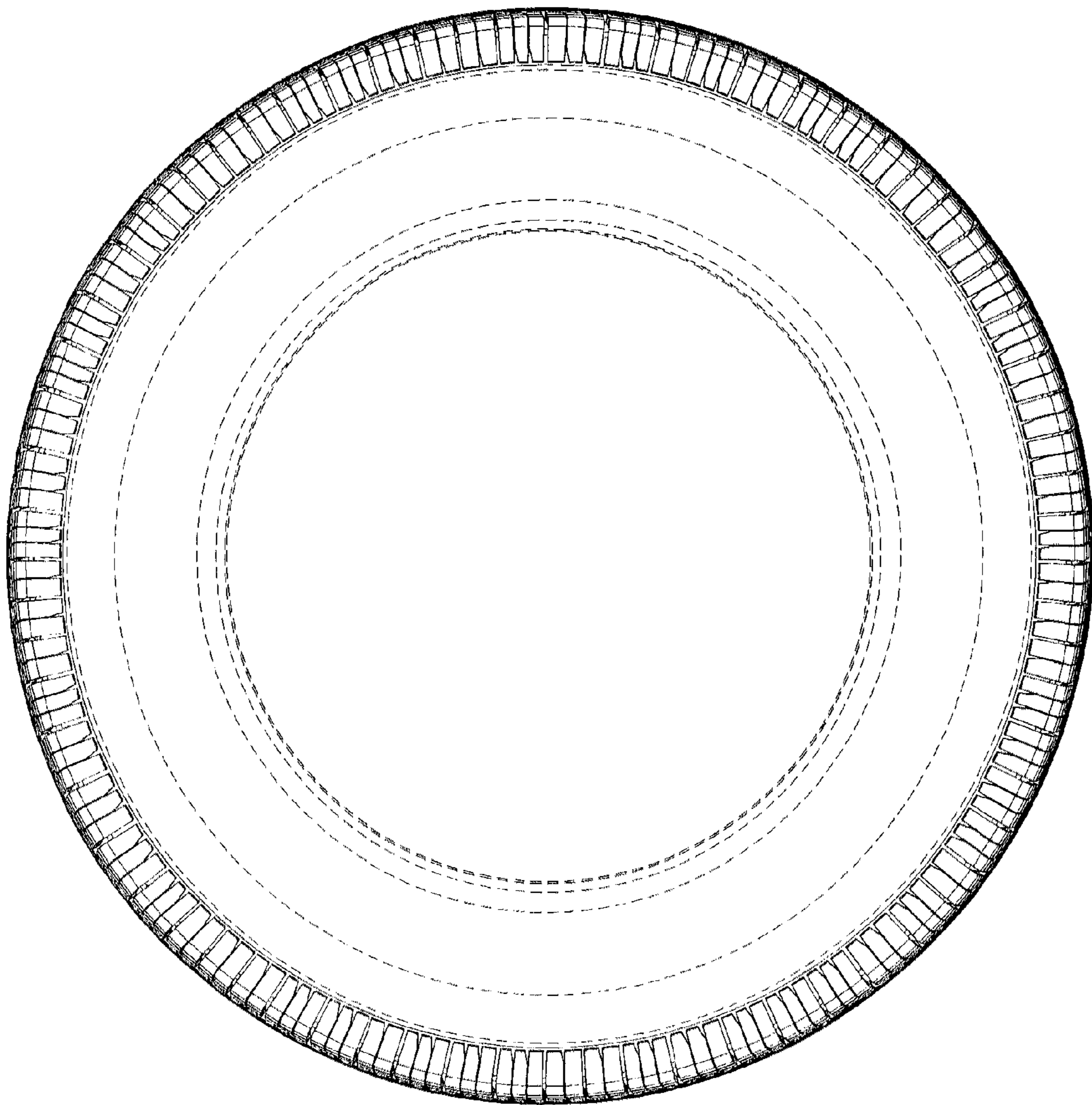


FIG. 5

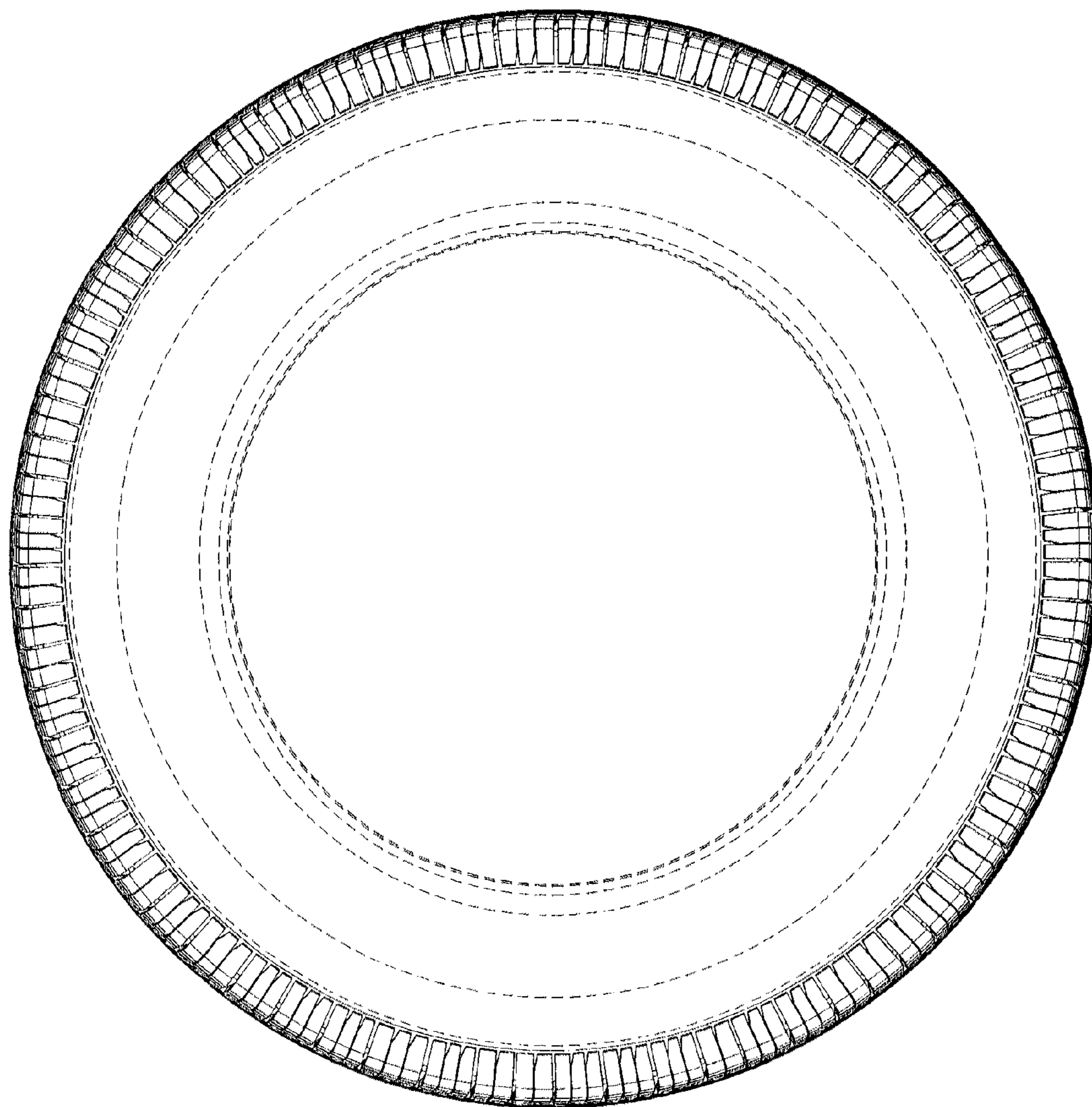


FIG. 6

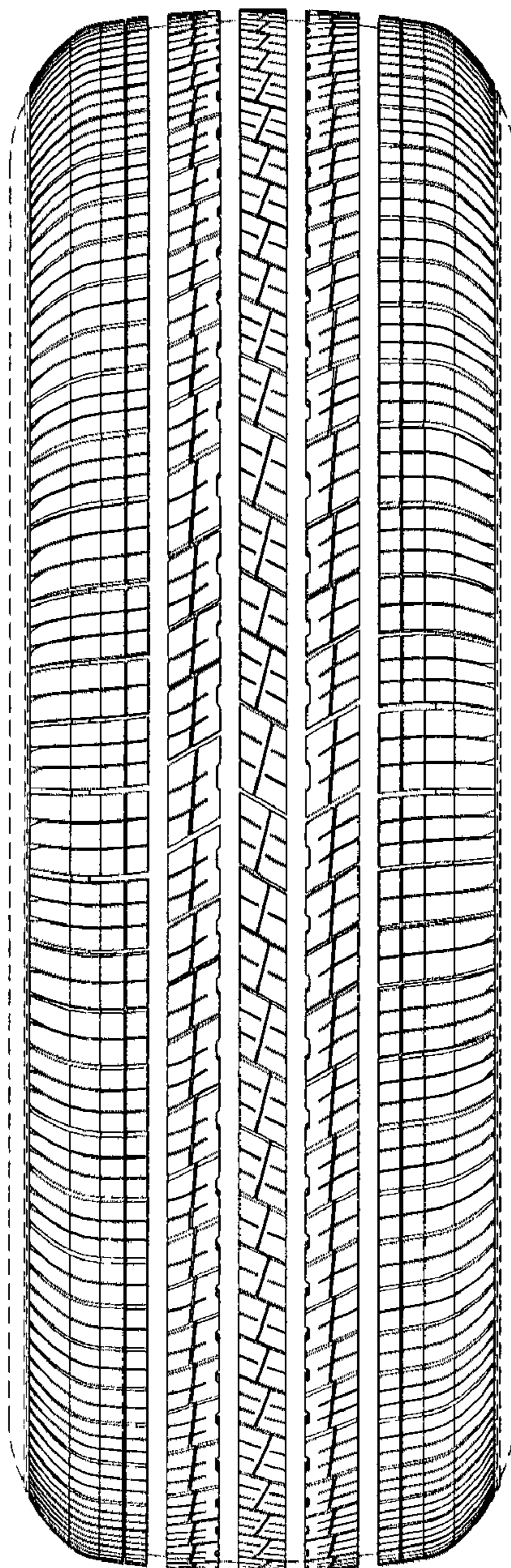


FIG. 7

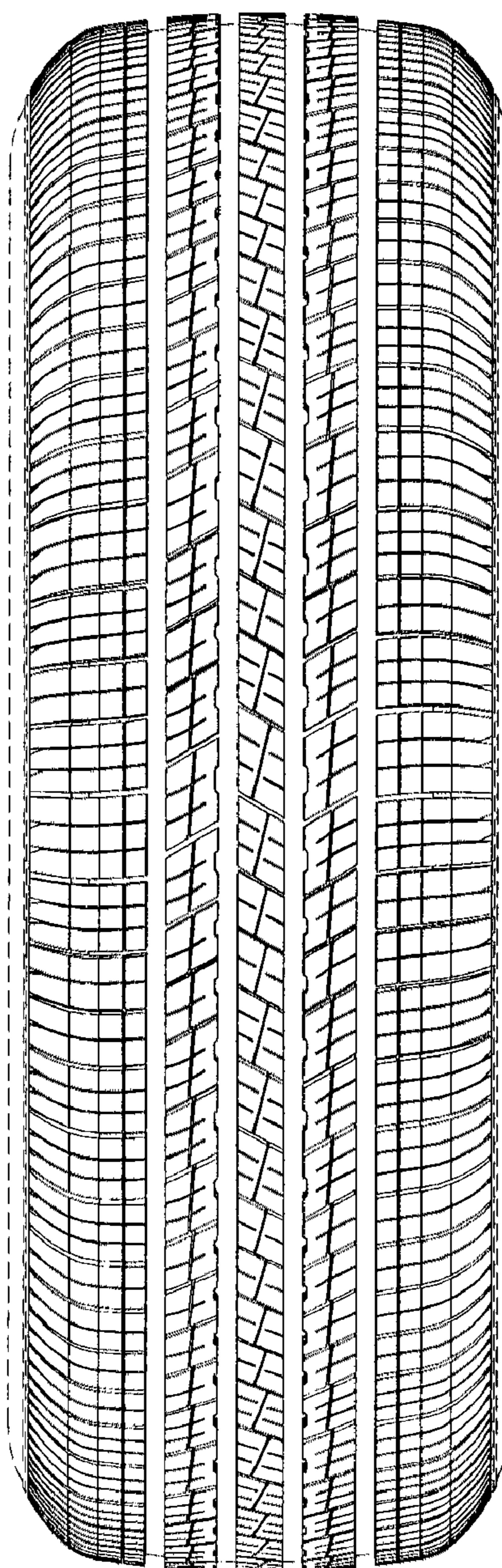


FIG. 8

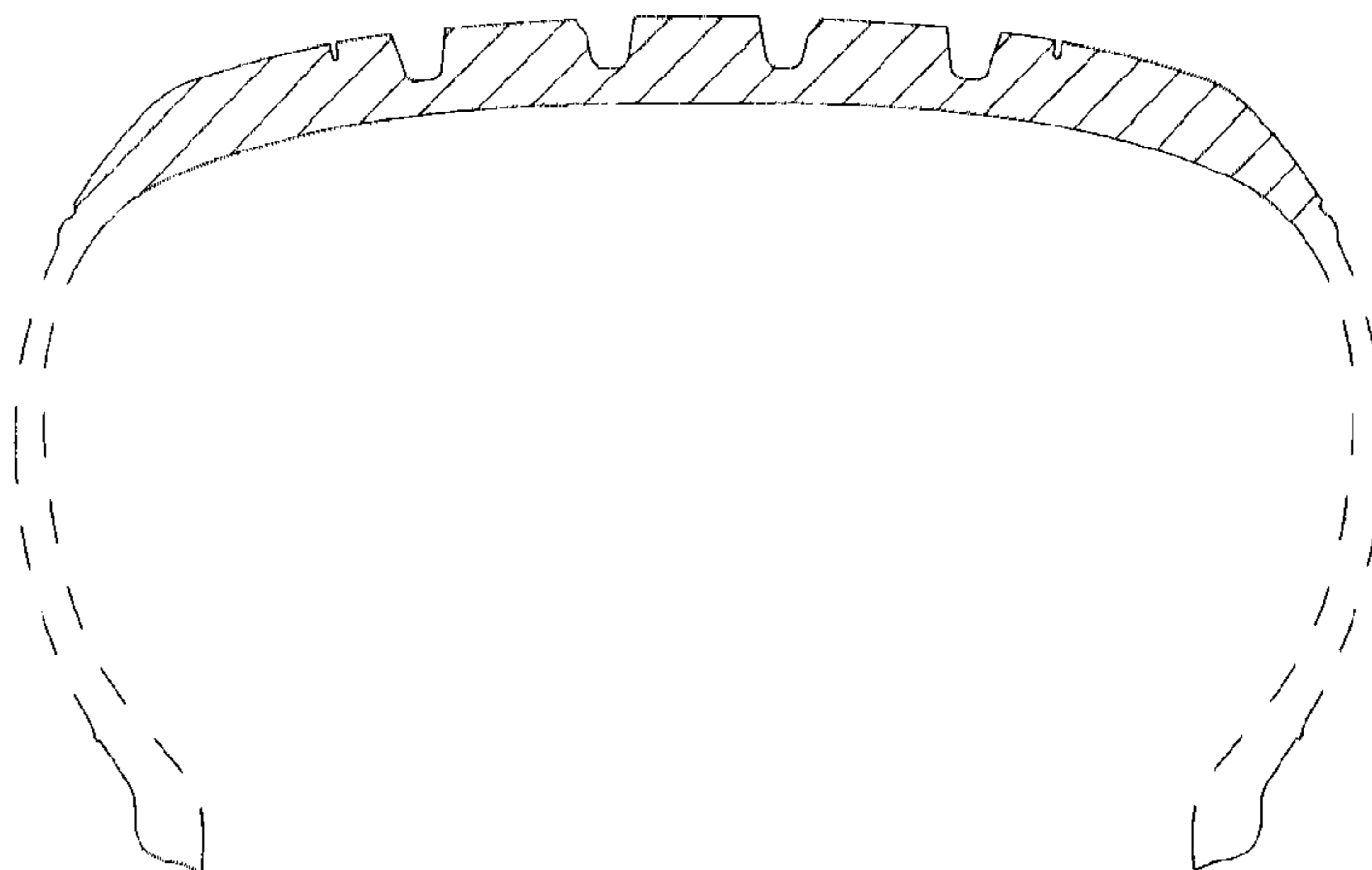


FIG. 9

