

US00D662460S

(12) **United States Design Patent**
Grote

(10) **Patent No.:** **US D662,460 S**

(45) **Date of Patent:** **** Jun. 26, 2012**

(54) **TIRE TREAD**

(75) **Inventor:** **Christopher D. Grote**, Findlay, OH (US)

(73) **Assignee:** **Cooper Tire & Rubber Company**, Findlay, OH (US)

(**) **Term:** **14 Years**

(21) **Appl. No.:** **29/372,074**

(22) **Filed:** **Oct. 12, 2010**

(51) **LOC (9) Cl.** **12-16**

(52) **U.S. Cl.** **D12/601**

(58) **Field of Classification Search** D12/58-603;
152/209.1-209.28

See application file for complete search history.

(56) **References Cited**

U.S. PATENT DOCUMENTS

- D385,238 S * 10/1997 Himuro et al. D12/595
- D545,264 S * 6/2007 Takahashi et al. D12/532
- D600,635 S * 9/2009 Finnell et al. D12/601

- D642,975 S * 8/2011 Givens et al. D12/601
- D643,803 S * 8/2011 Riswanda D12/590
- D648,265 S * 11/2011 Kim et al. D12/589

* cited by examiner

Primary Examiner — George D Kirschbaum

(74) *Attorney, Agent, or Firm* — Emch, Schaffer, Schaub & Porcello, Co., L.P.A.

(57) **CLAIM**

An ornamental design for a tire tread, as shown and described.

DESCRIPTION

FIG. 1 is a perspective view of the tire tread in accordance with the invention;

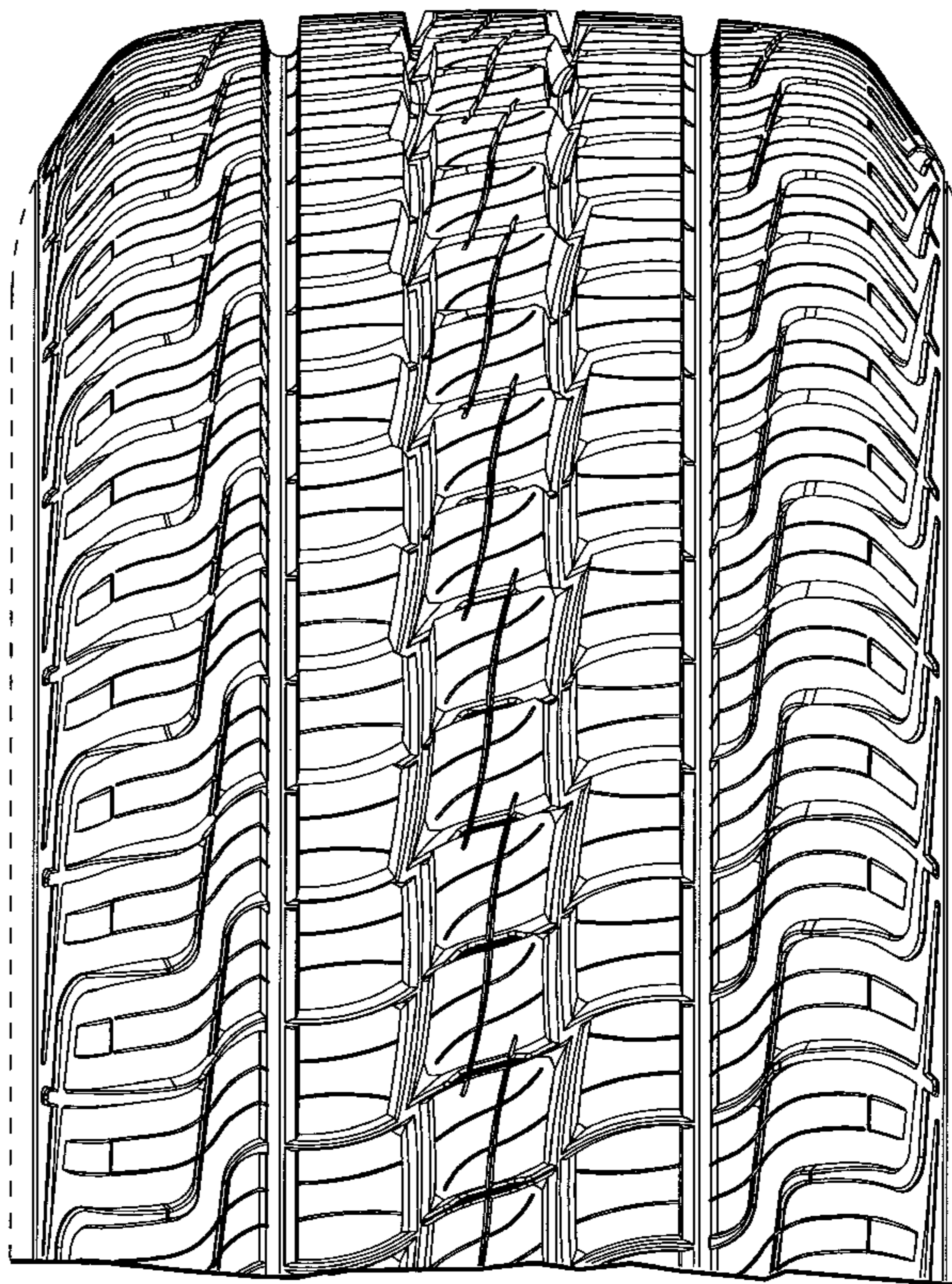
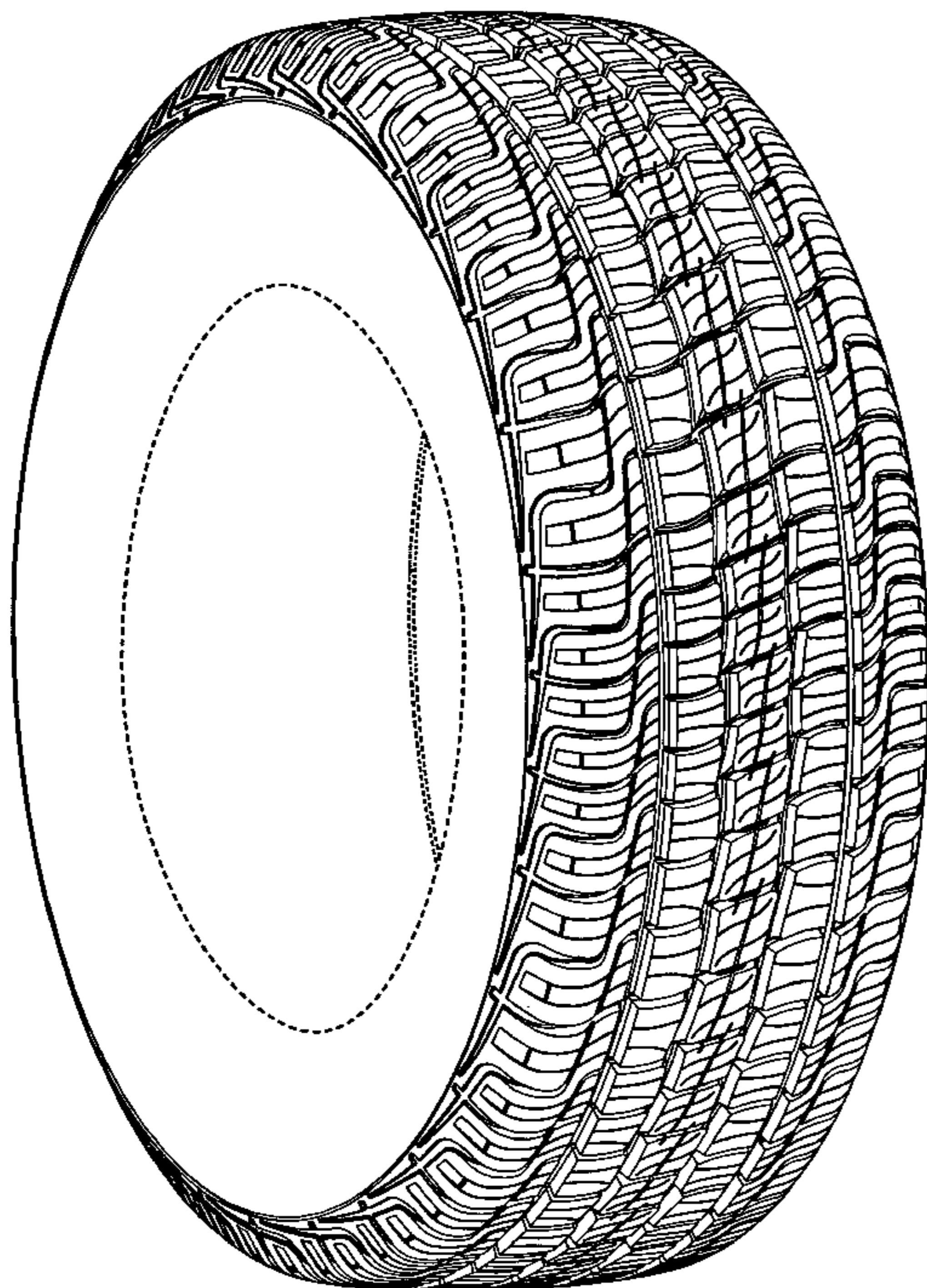
FIG. 2 is a front view thereof;

FIG. 3 is a side view thereof; and,

FIG. 4 is an enlarged partial front view thereof.

The broken line showing of the sidewall, inner bead and the peripheral boundary between the tire tread and the sidewall is included for the purpose of illustrating environment and forms no part of the claim design.

1 Claim, 4 Drawing Sheets



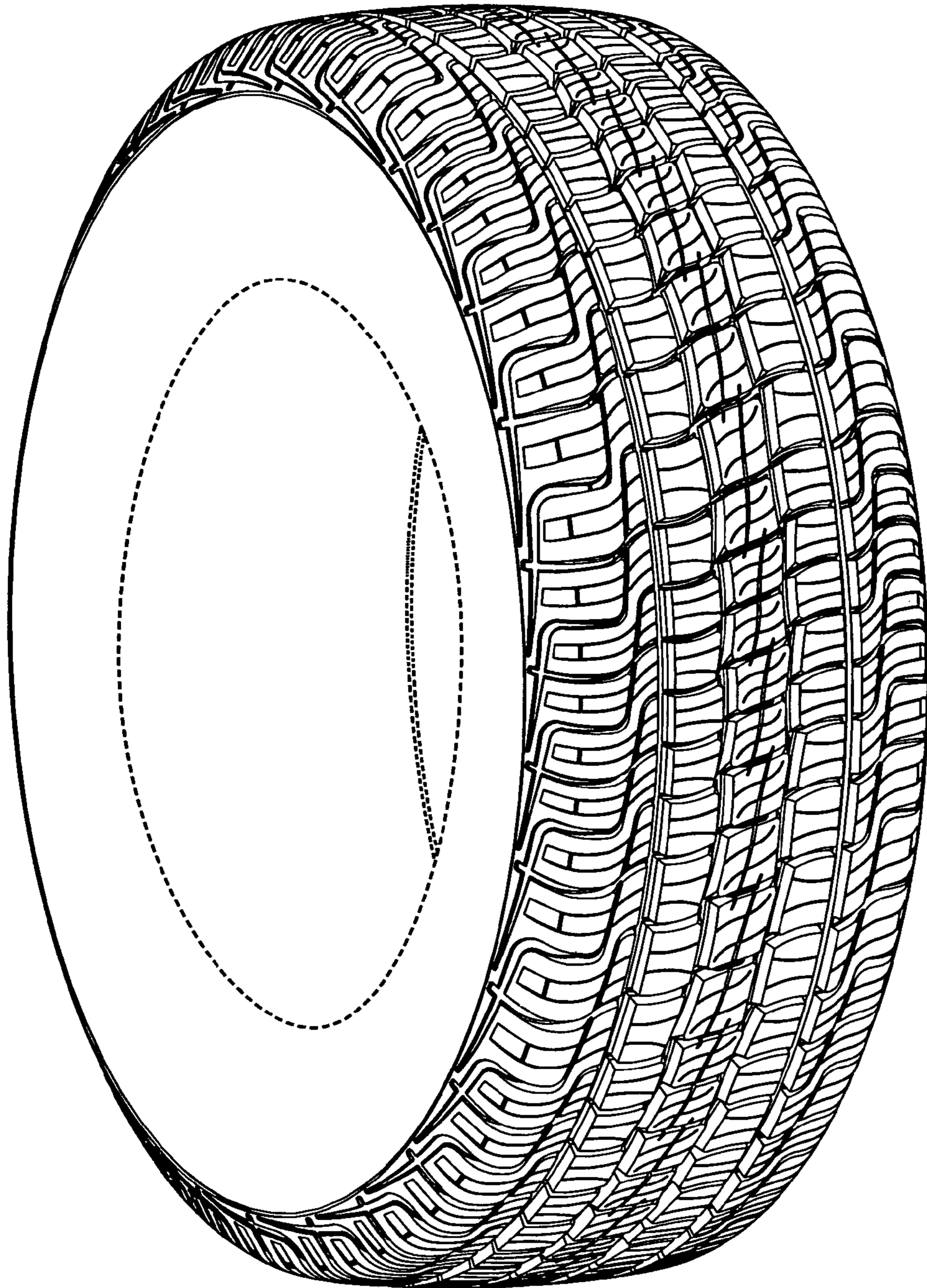


FIG. 1

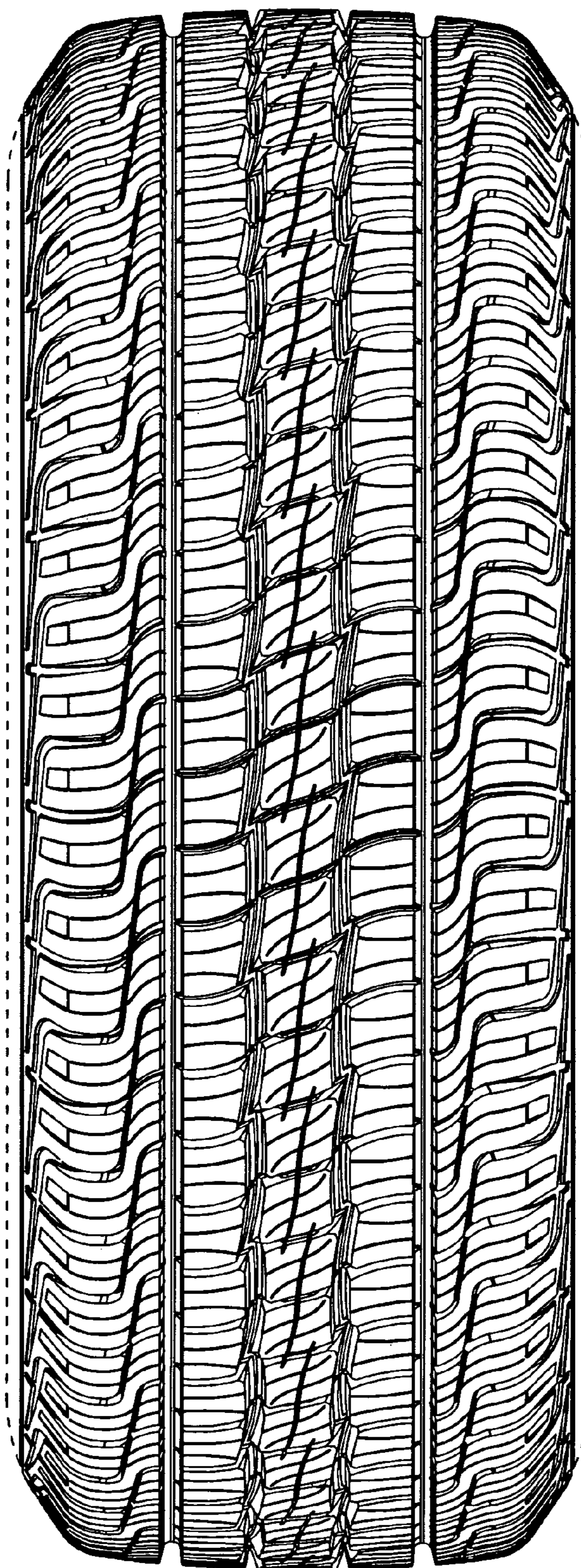


FIG. 2

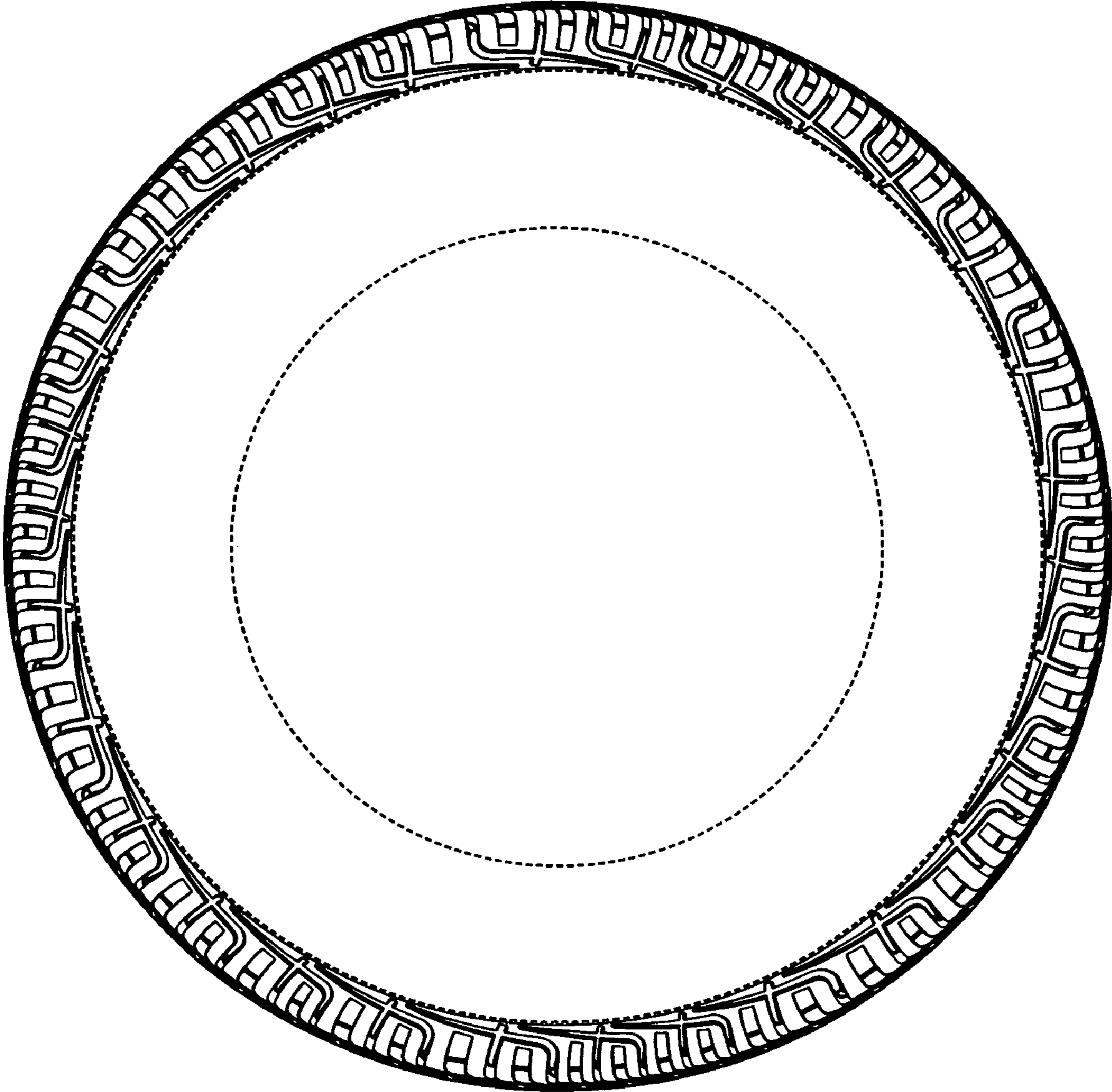


FIG. 3

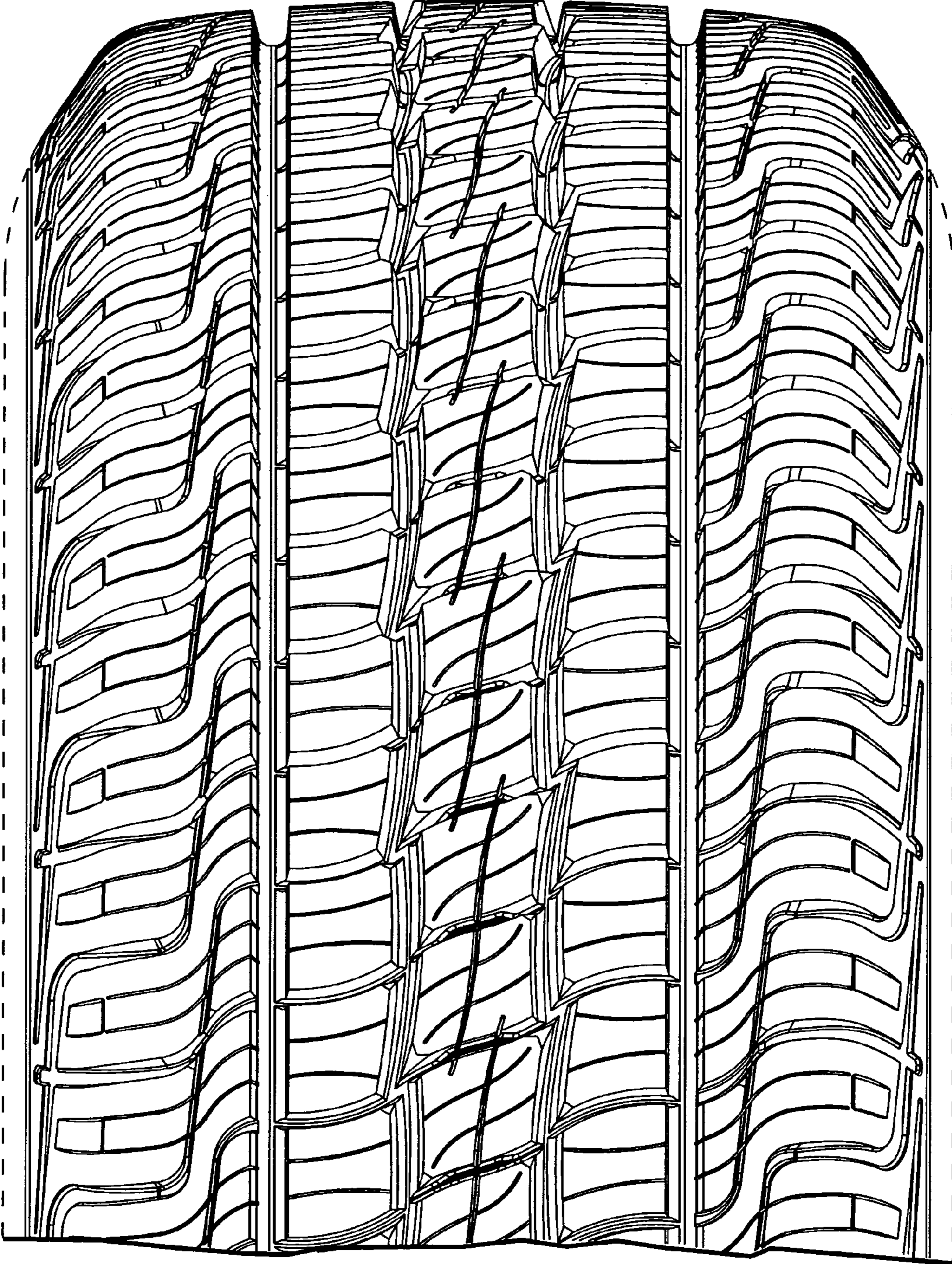


FIG. 4