



US00D662458S

(12) **United States Design Patent**
De Benedittis et al.

(10) **Patent No.:** **US D662,458 S**

(45) **Date of Patent:** **** Jun. 26, 2012**

(54) **TIRE TREAD**

(75) Inventors: **Eric De Benedittis**, Greenville, SC (US);
Ralston Moore, Fountain Inn, SC (US);
Benjamin Quantinet, Clermont-Ferrand (FR)

(73) Assignees: **Compagnie Generale des Etablissements Michelin**, Clermont-Ferrand (FR); **Michelin Recherche et Technique**, Granges-Paccot (CH)

(**) Term: **14 Years**

(21) Appl. No.: **29/368,899**

(22) Filed: **Aug. 31, 2010**

(51) **LOC (9) Cl.** **12-16**

(52) **U.S. Cl.** **D12/595**

(58) **Field of Classification Search** D12/58-603;
152/209.1-209.28

See application file for complete search history.

(56) **References Cited**

U.S. PATENT DOCUMENTS

D397,648 S	*	9/1998	Allen et al.	D12/588
D412,303 S		7/1999	Kemp, Jr.		
D421,583 S		3/2000	Kemp, Jr.		
D449,024 S	*	10/2001	Lovell et al.	D12/595
D452,199 S	*	12/2001	Robert et al.	D12/594
D500,288 S	*	12/2004	Maziarka et al.	D12/601
D531,115 S	*	10/2006	Ikeda	D12/588

OTHER PUBLICATIONS

Michelin X MultiWay XD.
Michelin X MultiWay XD, www.michelintransport.com, at least as of Apr. 27, 2010, 2 pgs.

* cited by examiner

Primary Examiner — George D Kirschbaum

(74) *Attorney, Agent, or Firm* — Dority & Manning, P.A.

(57) **CLAIM**

The ornamental design for a tire tread, as shown and described.

DESCRIPTION

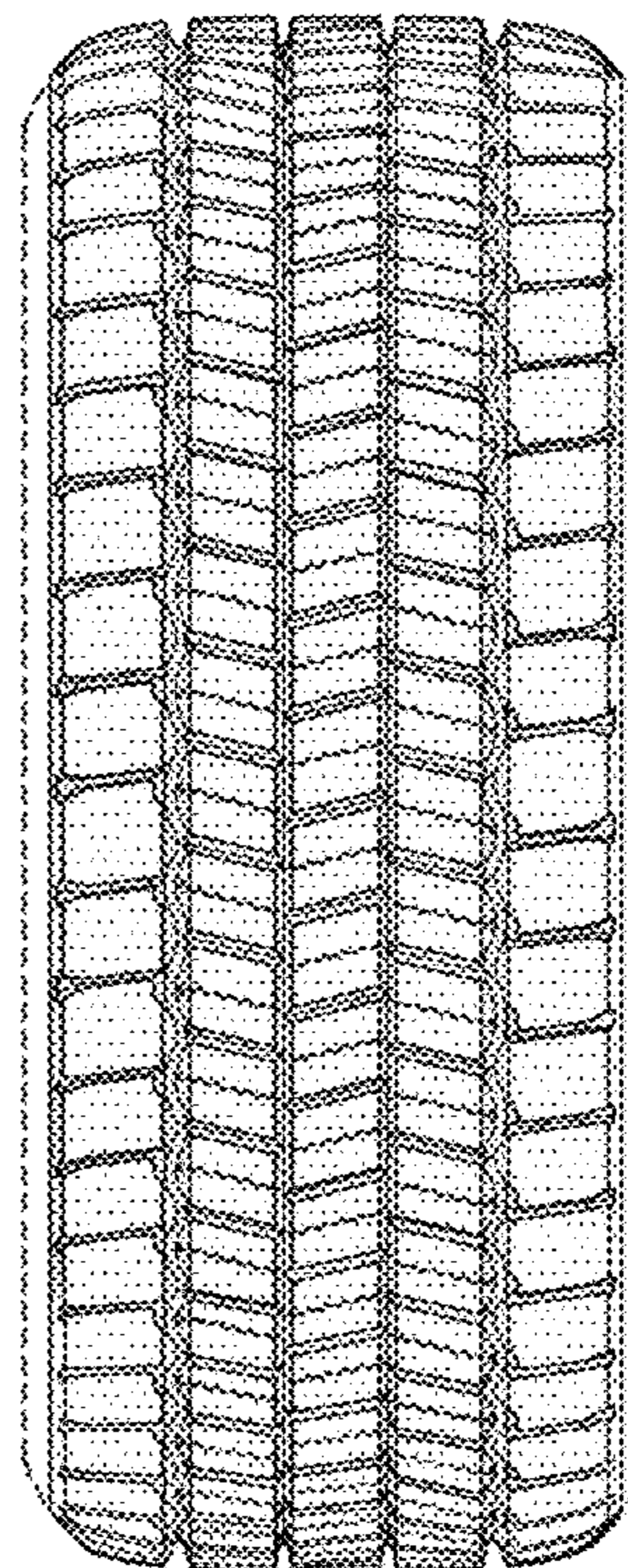
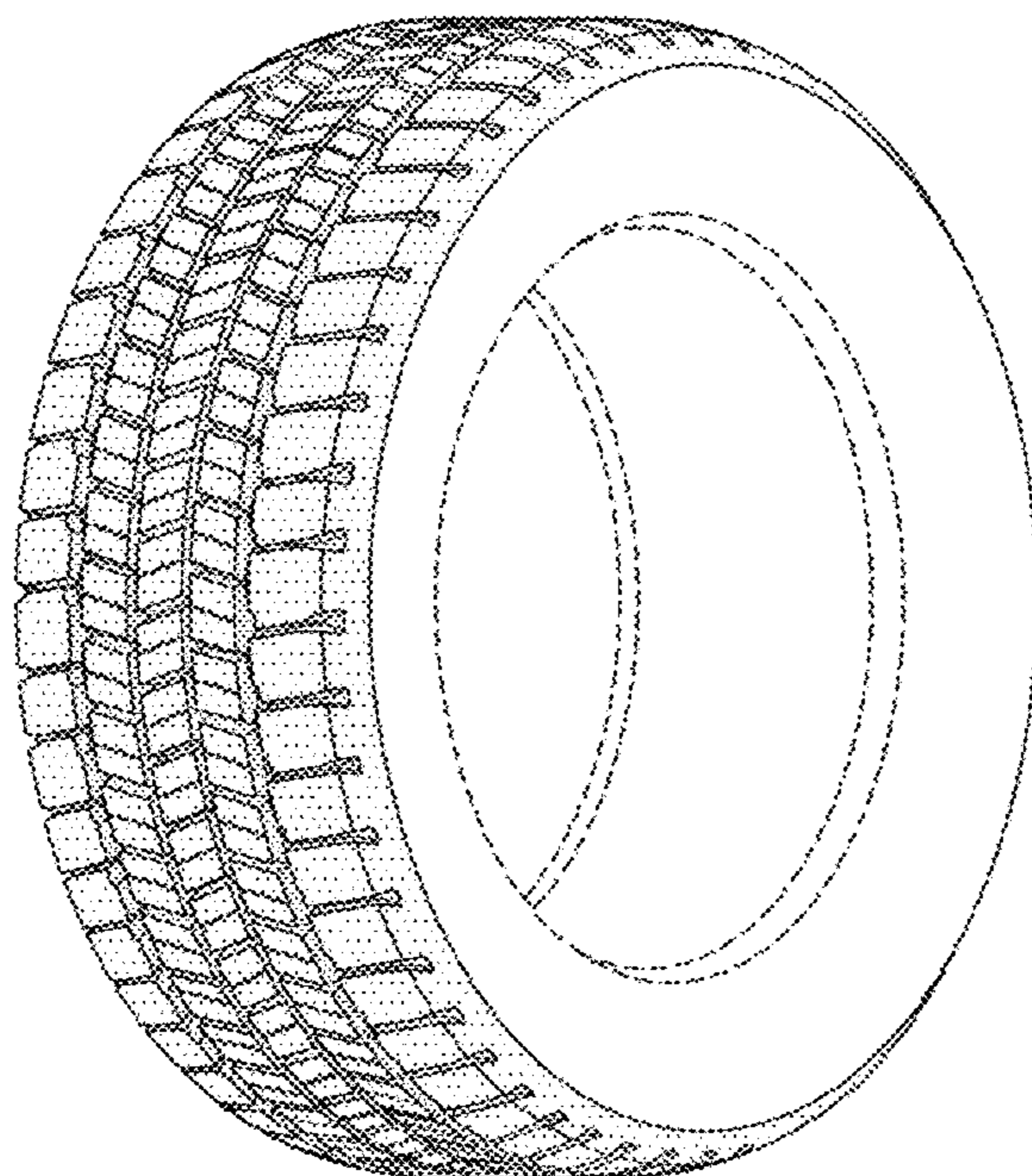
FIG. 1 is a perspective view of a tire tread showing our new design, it being understood that the tread pattern repeats circumferentially throughout the outer circumference and shoulder of the tire, the opposite side perspective being identical thereto;

FIG. 2 is a front elevation view thereof;

FIG. 3 is a side elevation view of the right side thereof; and, FIG. 4 is a side elevation view of the left side thereof.

In the drawings, the dark stippled surface shading represents the recessed groove portions of the tire tread having a depth as best illustrated along the top and bottom edges of FIG. 2. In the drawings, the broken line disclosure of the tire sidewall and inner bead depicts environmental structure and forms no part of the claimed design.

1 Claim, 4 Drawing Sheets



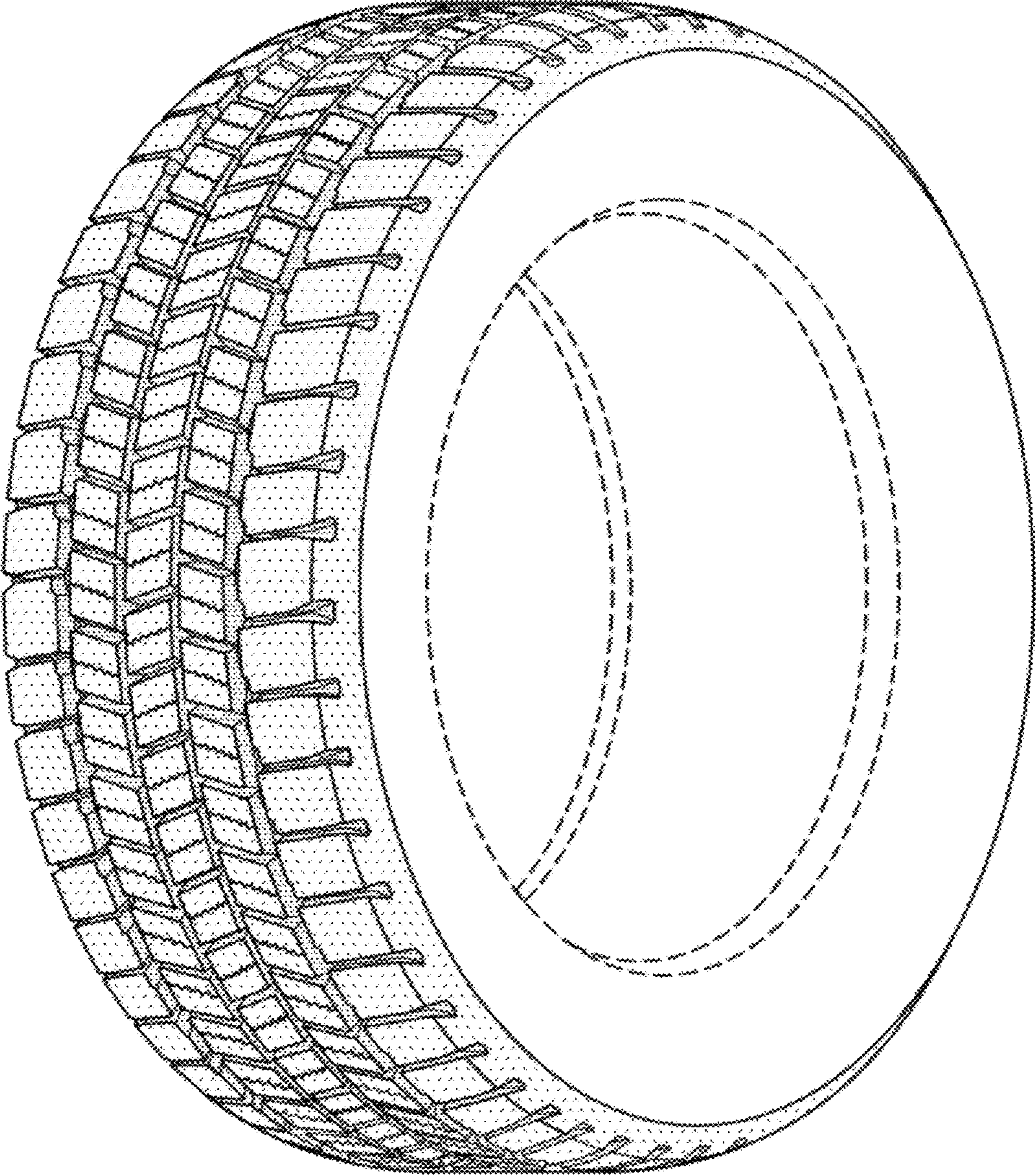


Fig. 1

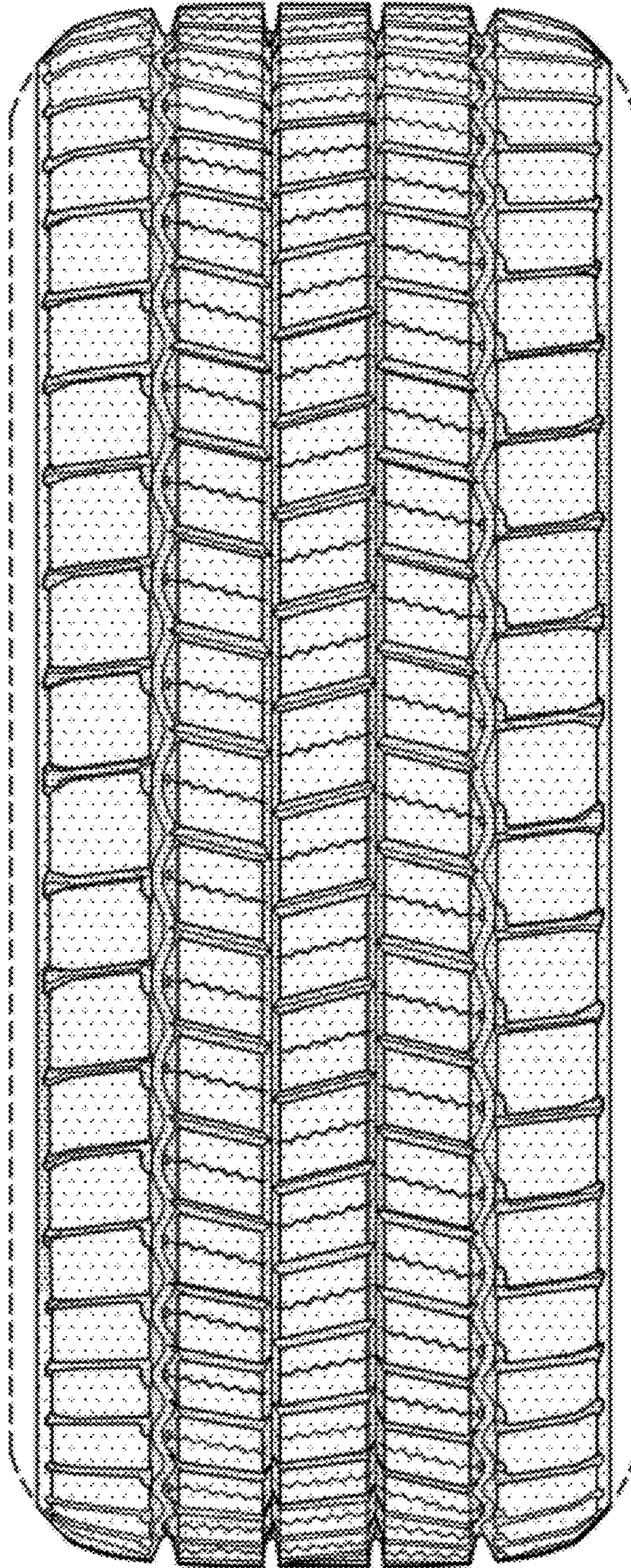


Fig. 2

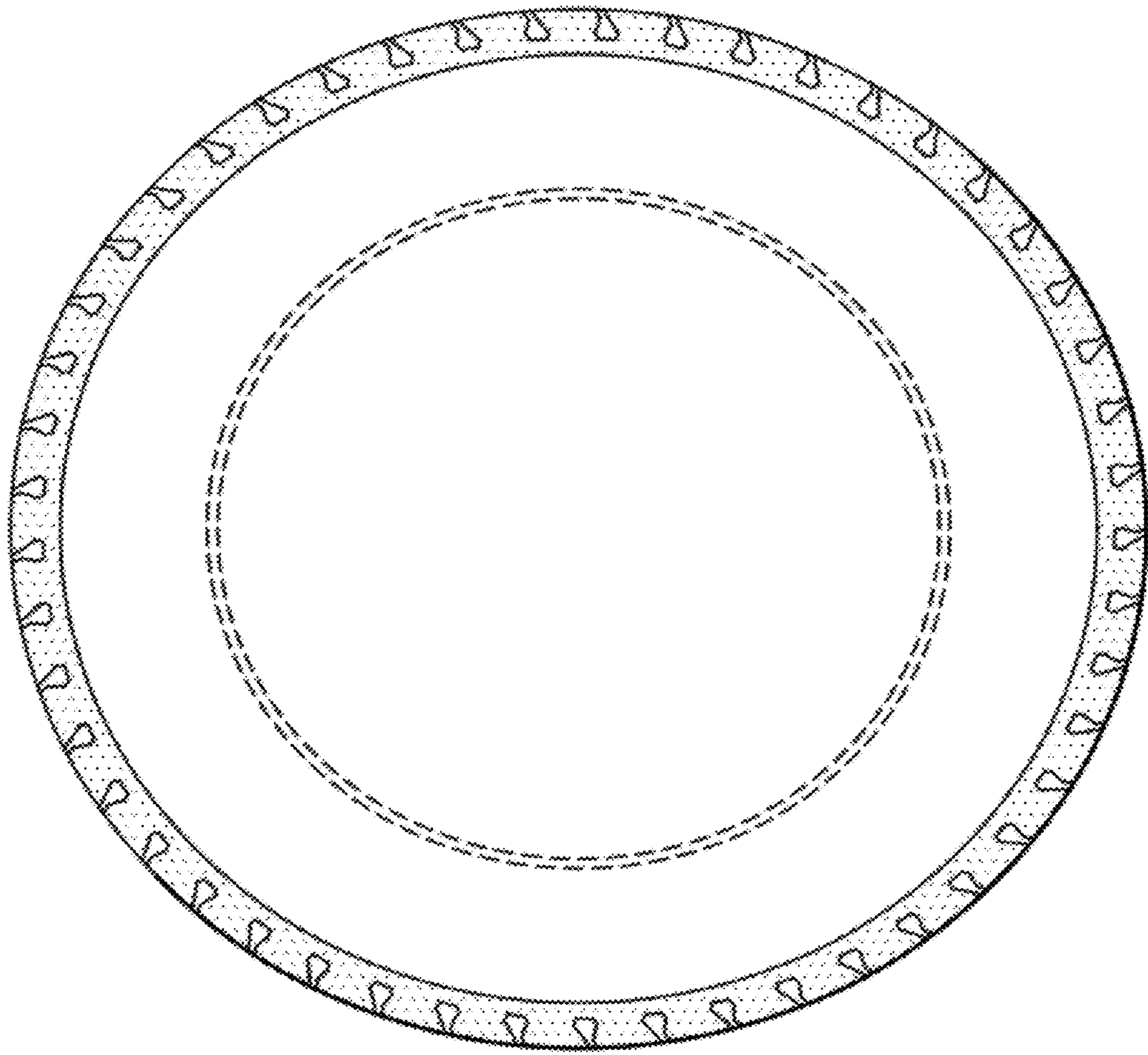


Fig. 3

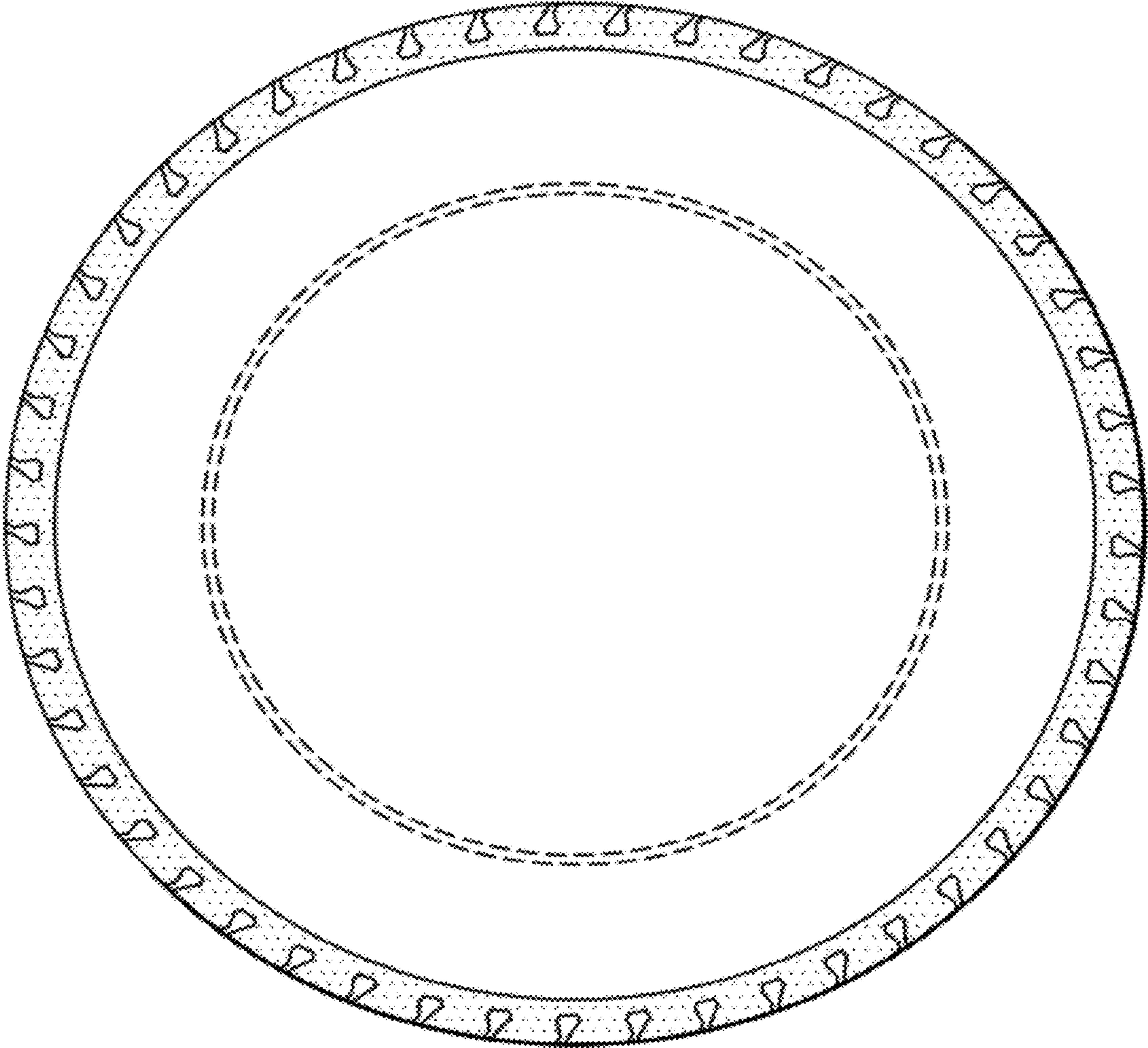


Fig. 4