



US00D662449S

(12) **United States Design Patent**
Murray

(10) **Patent No.:** **US D662,449 S**
(45) **Date of Patent:** **** Jun. 26, 2012**

(54) **EXHAUST INSERT**

(75) Inventor: **Jay Murray**, Carmel Valley, CA (US)

(73) Assignee: **Jay Murray**, Carmel Valley, CA (US)

(**) Term: **14 Years**

(21) Appl. No.: **29/369,598**

(22) Filed: **Sep. 10, 2010**

(51) **LOC (9) Cl.** **12-16**

(52) **U.S. Cl.** **D12/194**

(58) **Field of Classification Search** D12/194;
D15/5; 181/227, 228; 138/110
See application file for complete search history.

(56) **References Cited**

U.S. PATENT DOCUMENTS

D495,982 S *	9/2004	Ziehl	D12/194
D539,201 S *	3/2007	Tine, Jr.	D12/194
D617,705 S *	6/2010	Cunningham	D12/194
D654,839 S *	2/2012	Contreras	D12/194

* cited by examiner

Primary Examiner — T. Chase Nelson

Assistant Examiner — Ania Aman

(74) *Attorney, Agent, or Firm* — Martine Penilla Group, LLP

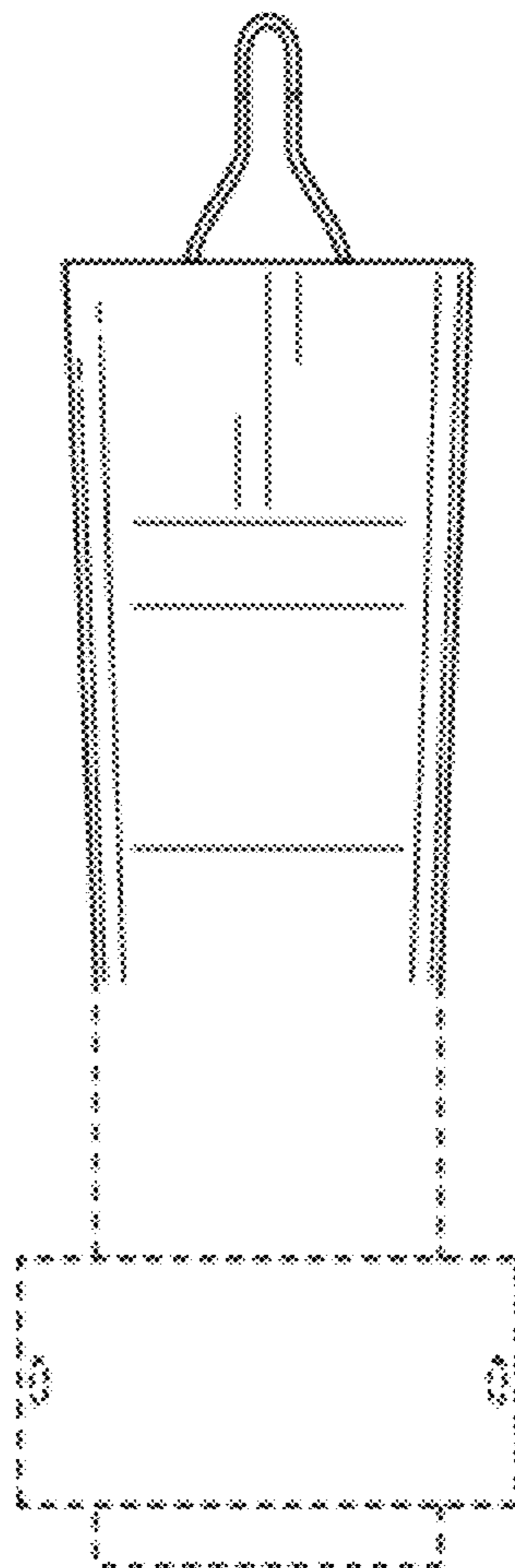
(57) **CLAIM**

I claim the ornamental design for an exhaust insert, as shown and described.

DESCRIPTION

FIG. 1 is a top view of an exhaust insert showing my new design;
FIG. 2 is a left side view thereof;
FIG. 3 is a bottom view of thereof;
FIG. 4 is a right side view thereof;
FIG. 5 is a front end view thereof;
FIG. 6 is a rear end view thereof; and,
FIG. 7 is a perspective view of the exhaust insert as installed in an exhaust muffler;
The broken-lines of the exhaust insert or of the exhaust muffler form no part of the claimed design.

1 Claim, 3 Drawing Sheets



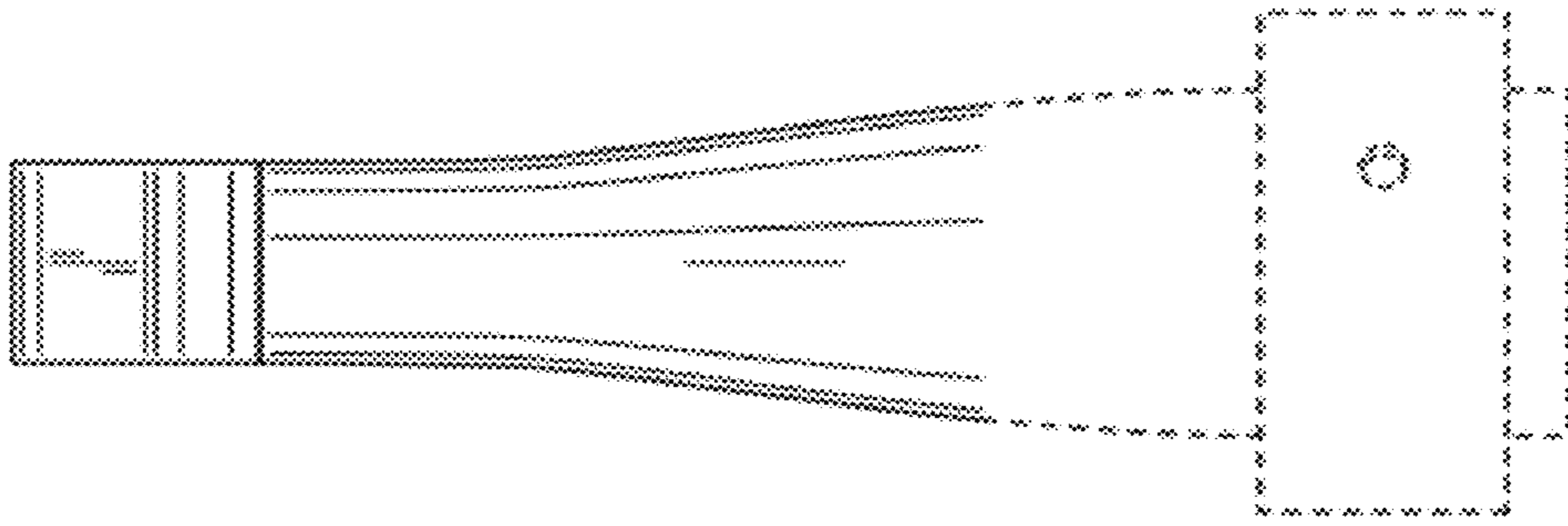


FIG. 1

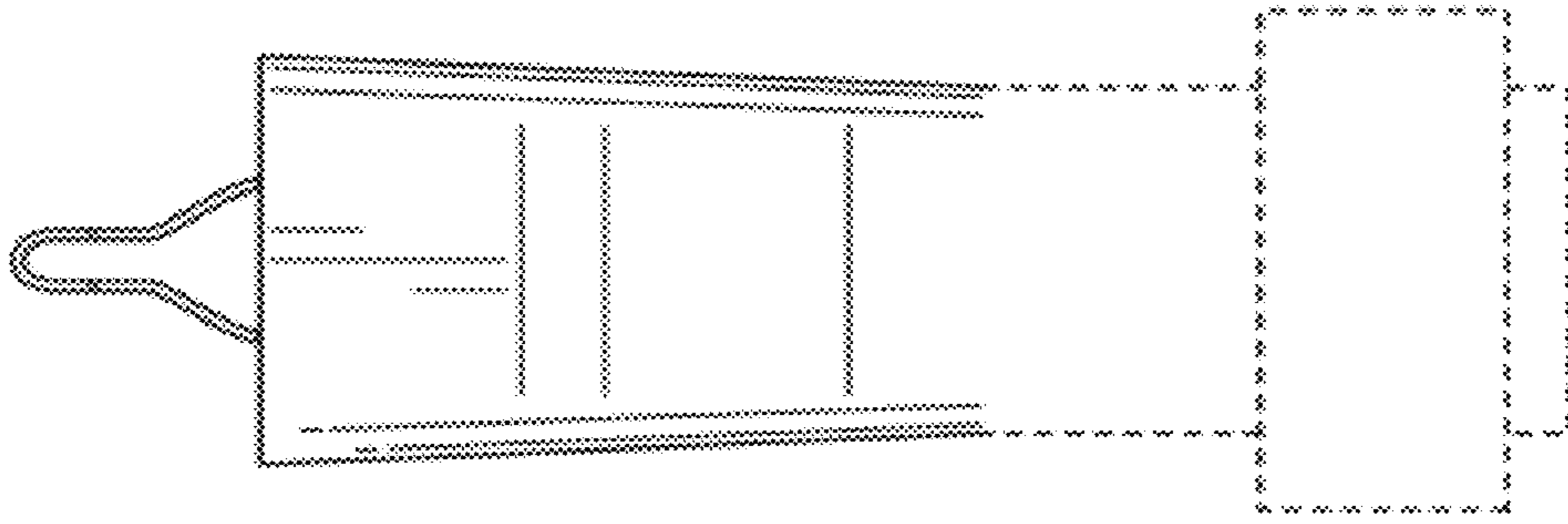


FIG. 2

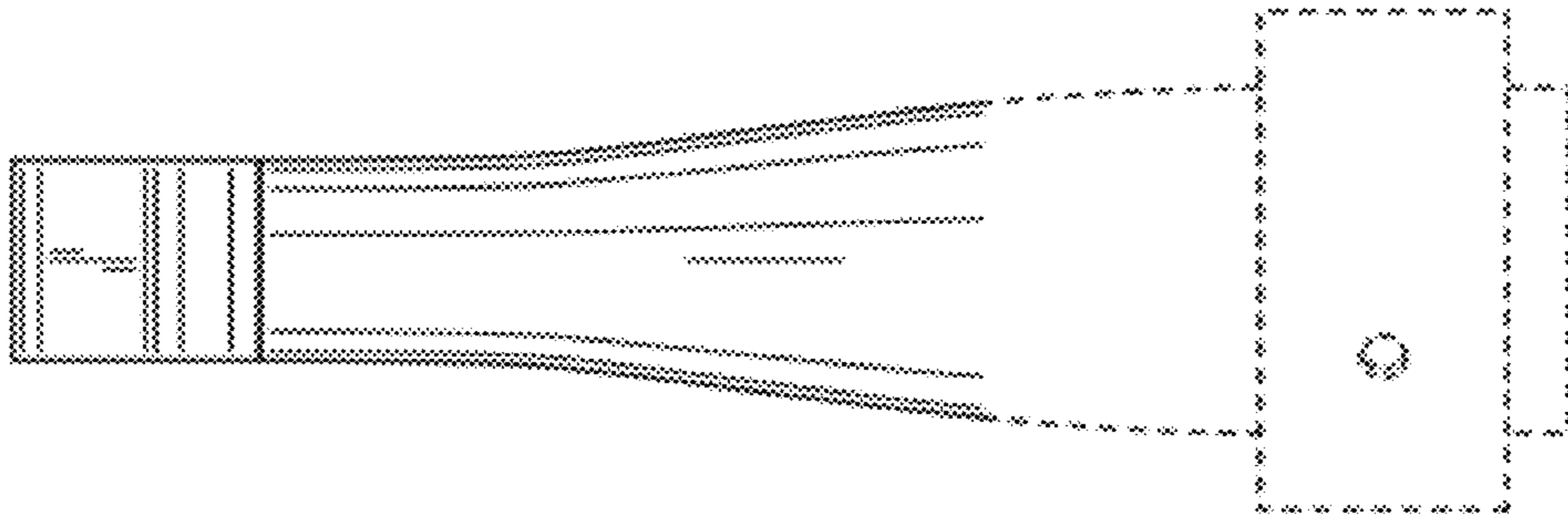


FIG. 3

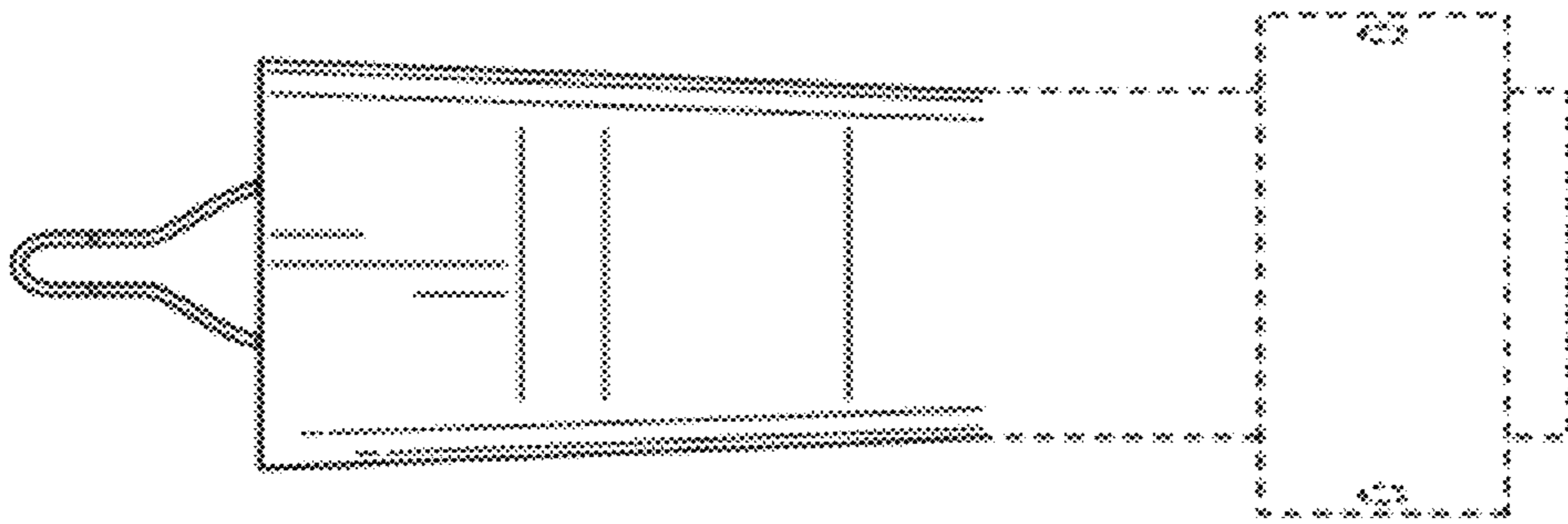


FIG. 4

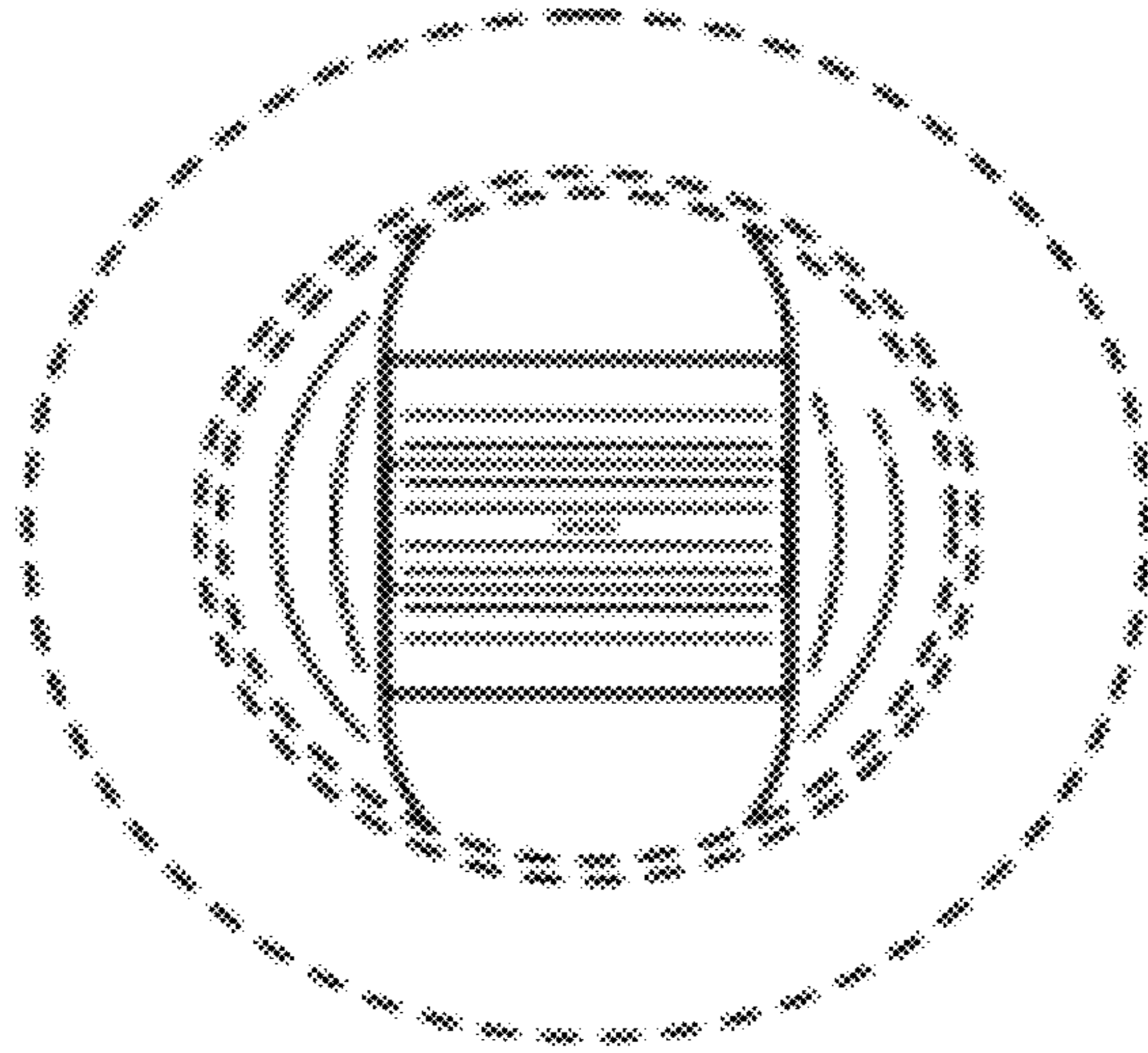


FIG. 6

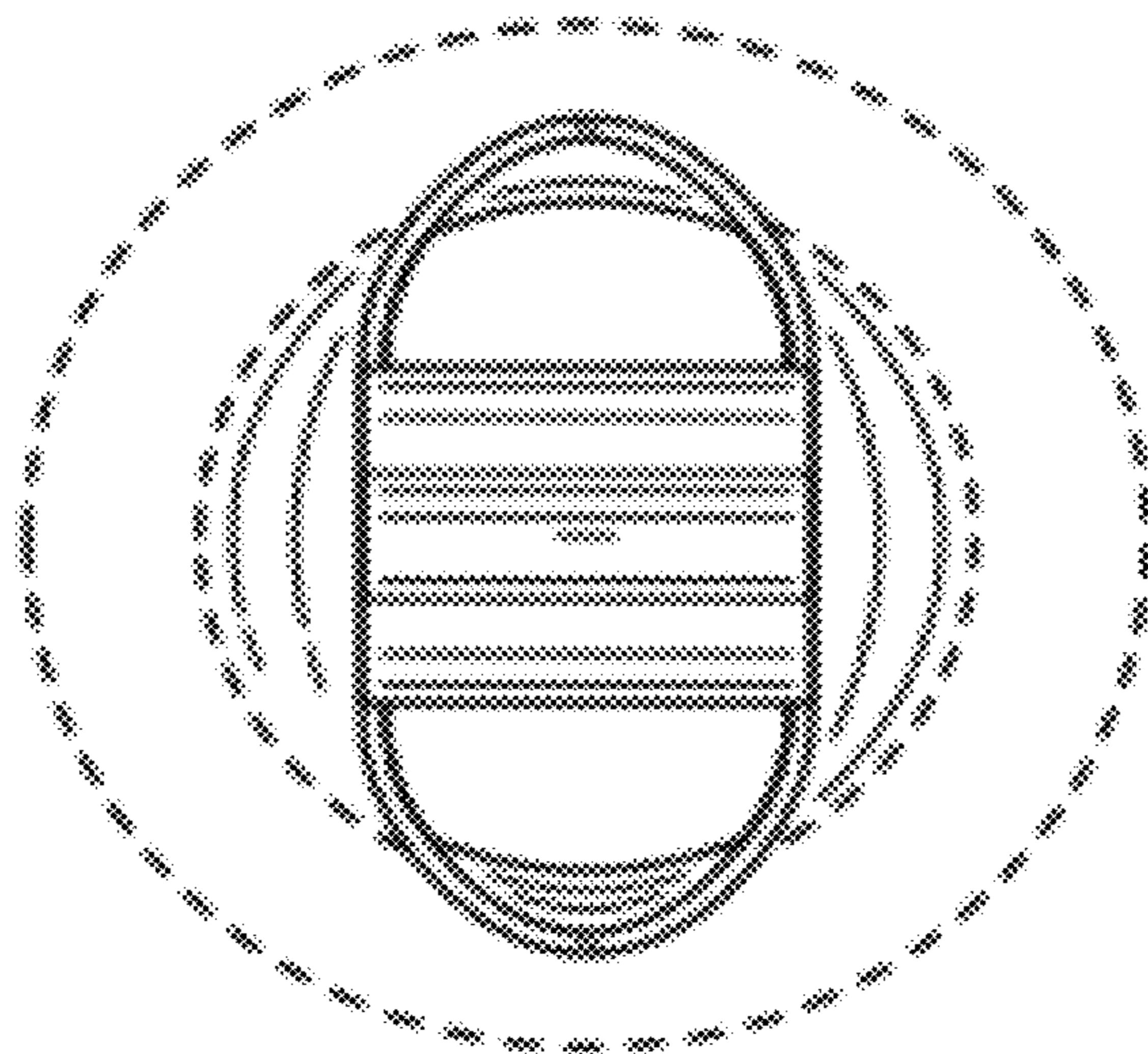


FIG. 5

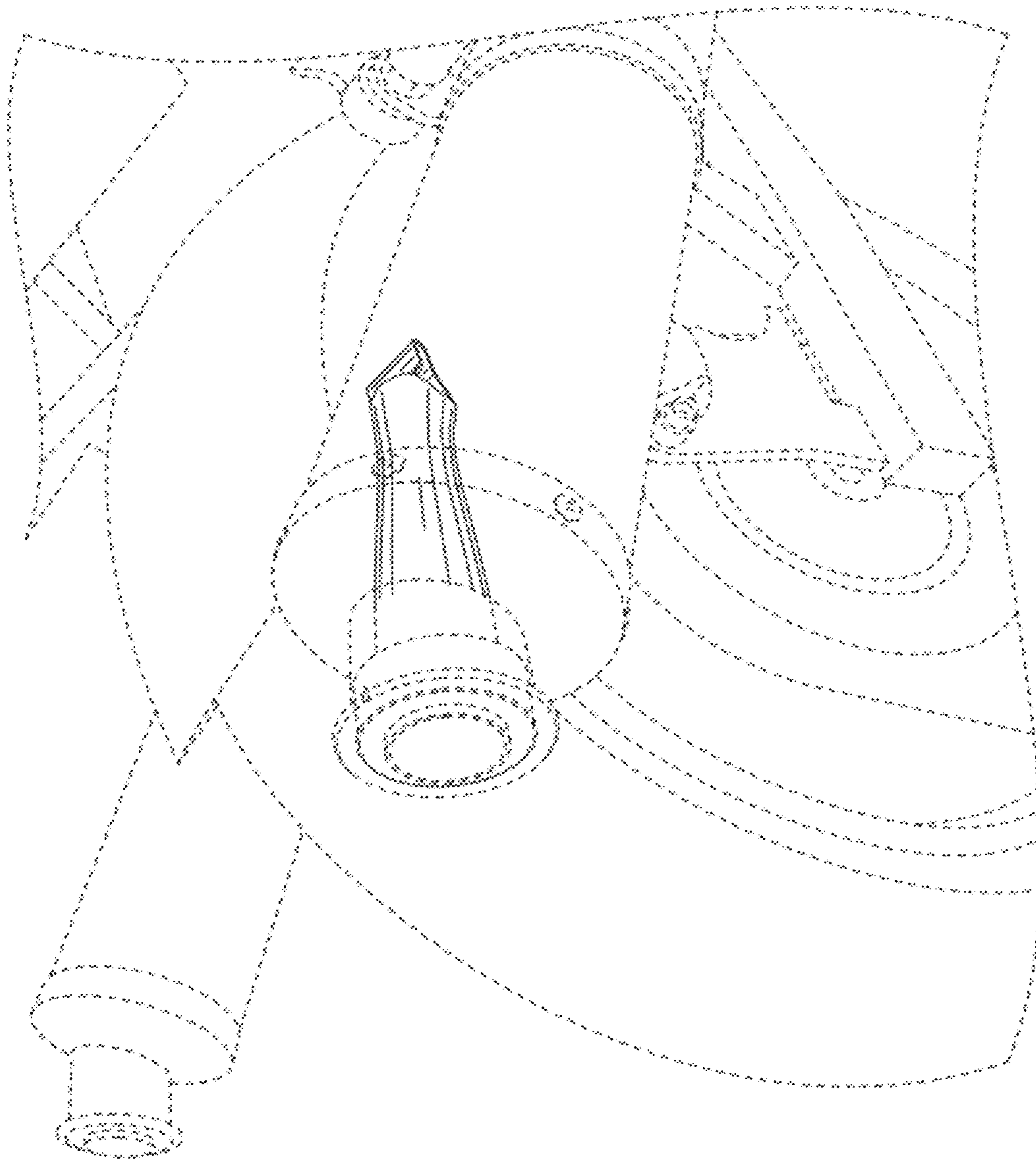


FIG. 7