

US00D662448S

(12) **United States Design Patent**
Krankkala et al.

(10) **Patent No.:** **US D662,448 S**

(45) **Date of Patent:** **** *Jun. 26, 2012**

(54) **PEARLS LICENSE PLATE FRAME**

(75) Inventors: **Ken Krankkala**, Anthem, AZ (US);
Kwai Kong, Gilroy, CA (US)

(73) Assignee: **Bell Automotive Products, Inc.**,
Scottsdale, AZ (US)

(*) Notice: This patent is subject to a terminal disclaimer.

(**) Term: **14 Years**

(21) Appl. No.: **29/404,080**

(22) Filed: **Oct. 14, 2011**

(51) **LOC (9) Cl.** **12-16**

(52) **U.S. Cl.** **D12/193**

(58) **Field of Classification Search** D12/193;
D6/300-302, 310-314; 40/200-204, 207-214;
D20/13; 348/148, 373

See application file for complete search history.

(56) **References Cited**

U.S. PATENT DOCUMENTS

D524,210 S * 7/2006 Spencer D12/193
D524,707 S * 7/2006 Spencer D12/193

D537,395 S * 2/2007 Magee D12/193
D538,722 S * 3/2007 Tofer D12/193
D602,831 S * 10/2009 Spencer et al. D12/193
D602,832 S * 10/2009 Tharp et al. D12/193
D636,713 S * 4/2011 Ohm et al. D12/193
D640,177 S * 6/2011 Ohm et al. D12/193

* cited by examiner

Primary Examiner — Stacia Cadmus

(74) *Attorney, Agent, or Firm* — Booth Udall, PLC

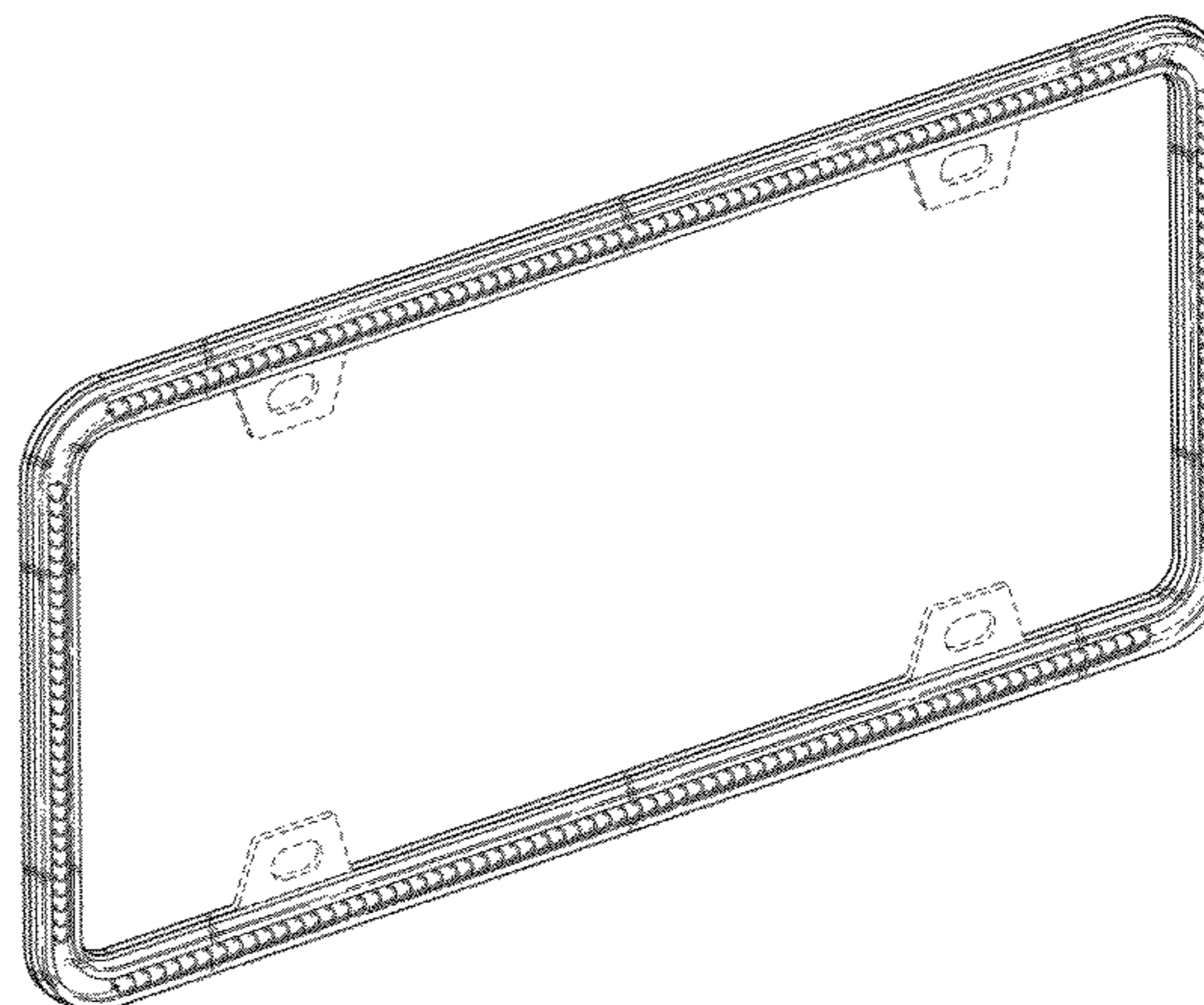
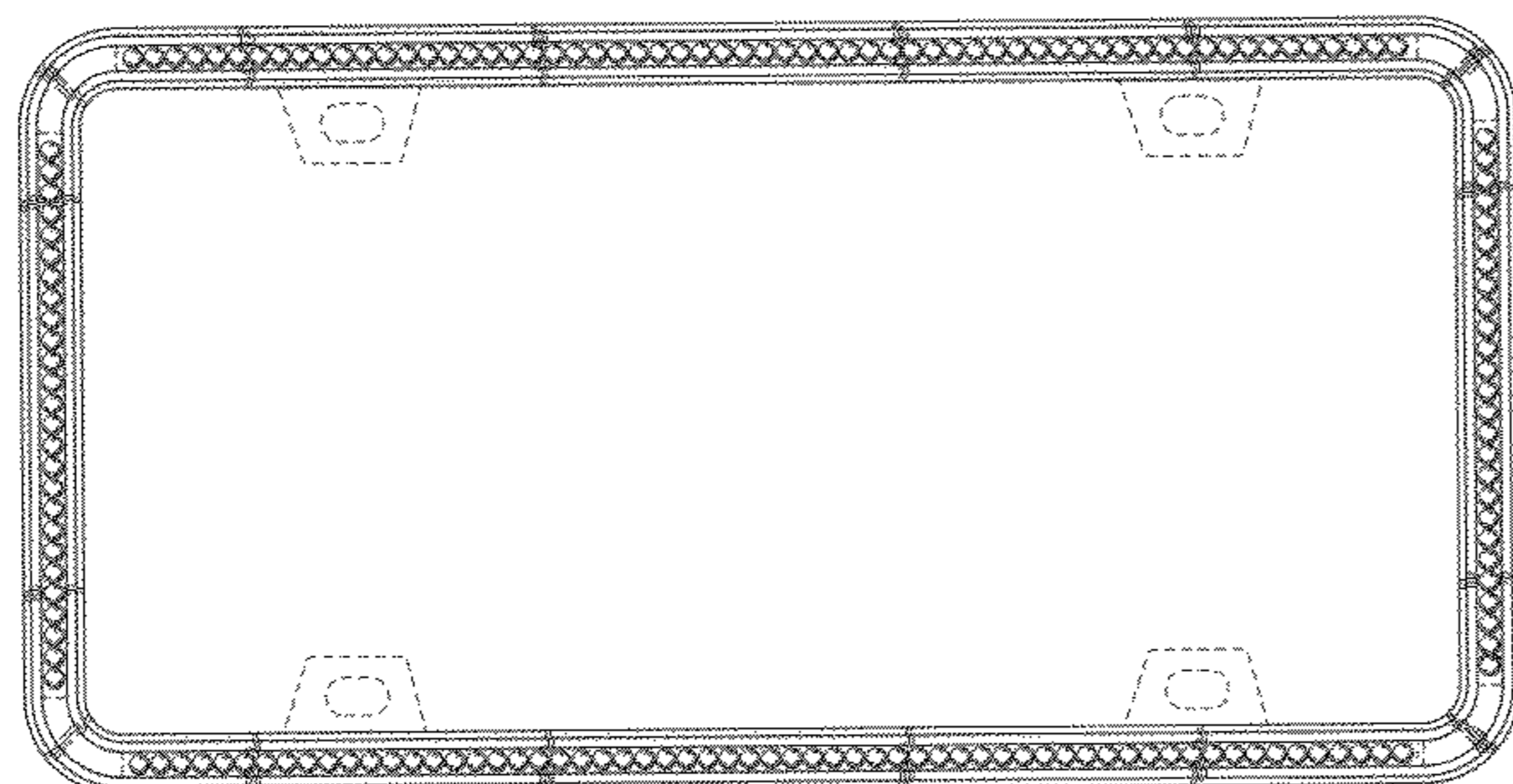
(57) **CLAIM**

The ornamental design for a pearls license plate frame, as shown and described.

DESCRIPTION

FIG. 1 is a front view for a pearls license plate frame;
FIG. 2 is a top view thereof, the bottom view being identical to the top view;
FIG. 3 is a left side view thereof, the right side view being identical to the left side view; and,
FIG. 4 is a front perspective view thereof.
The broken lines are included for the purpose of illustrating environmental features and form no part of the claimed design.

1 Claim, 3 Drawing Sheets



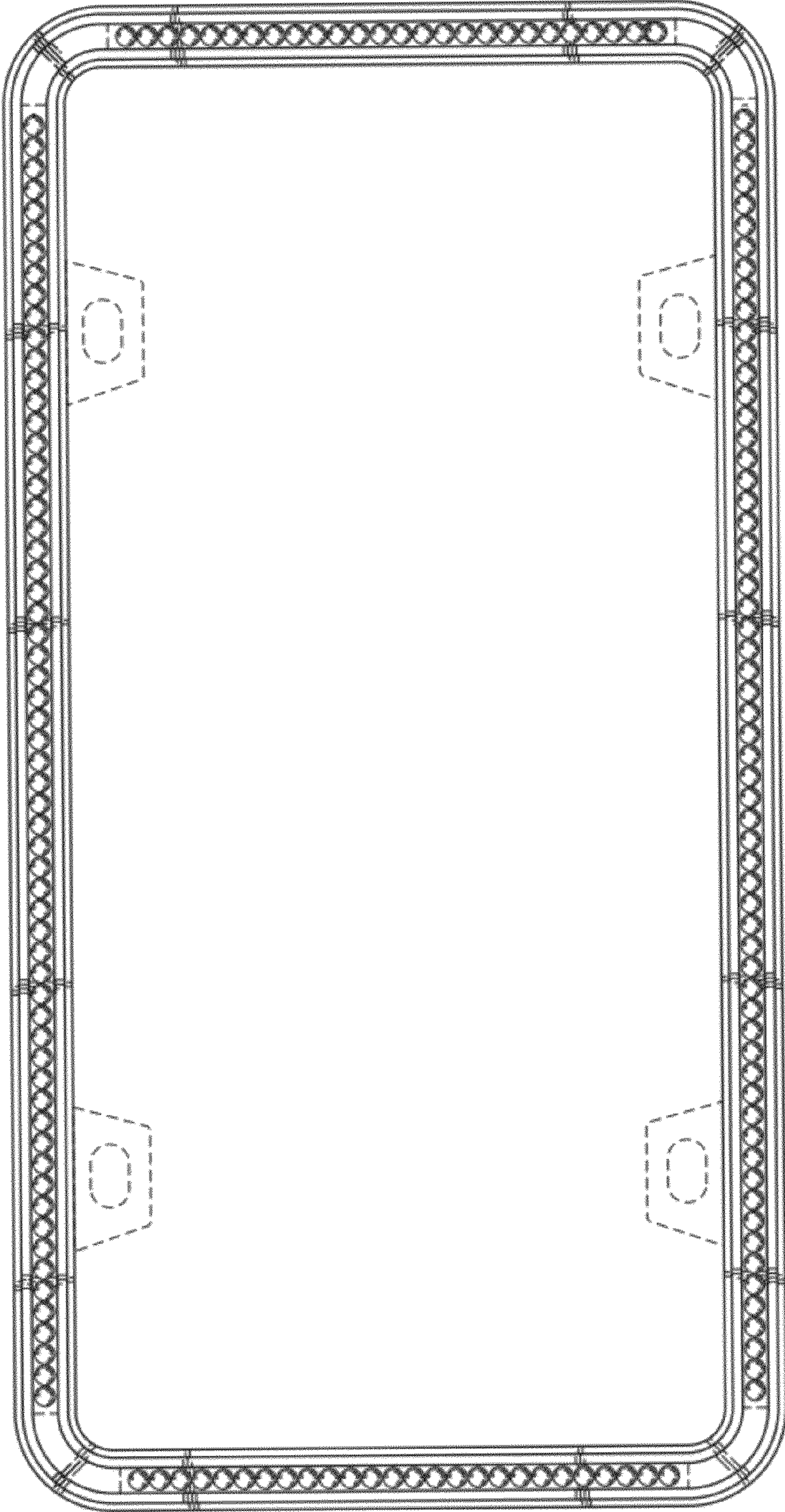


FIG. 1

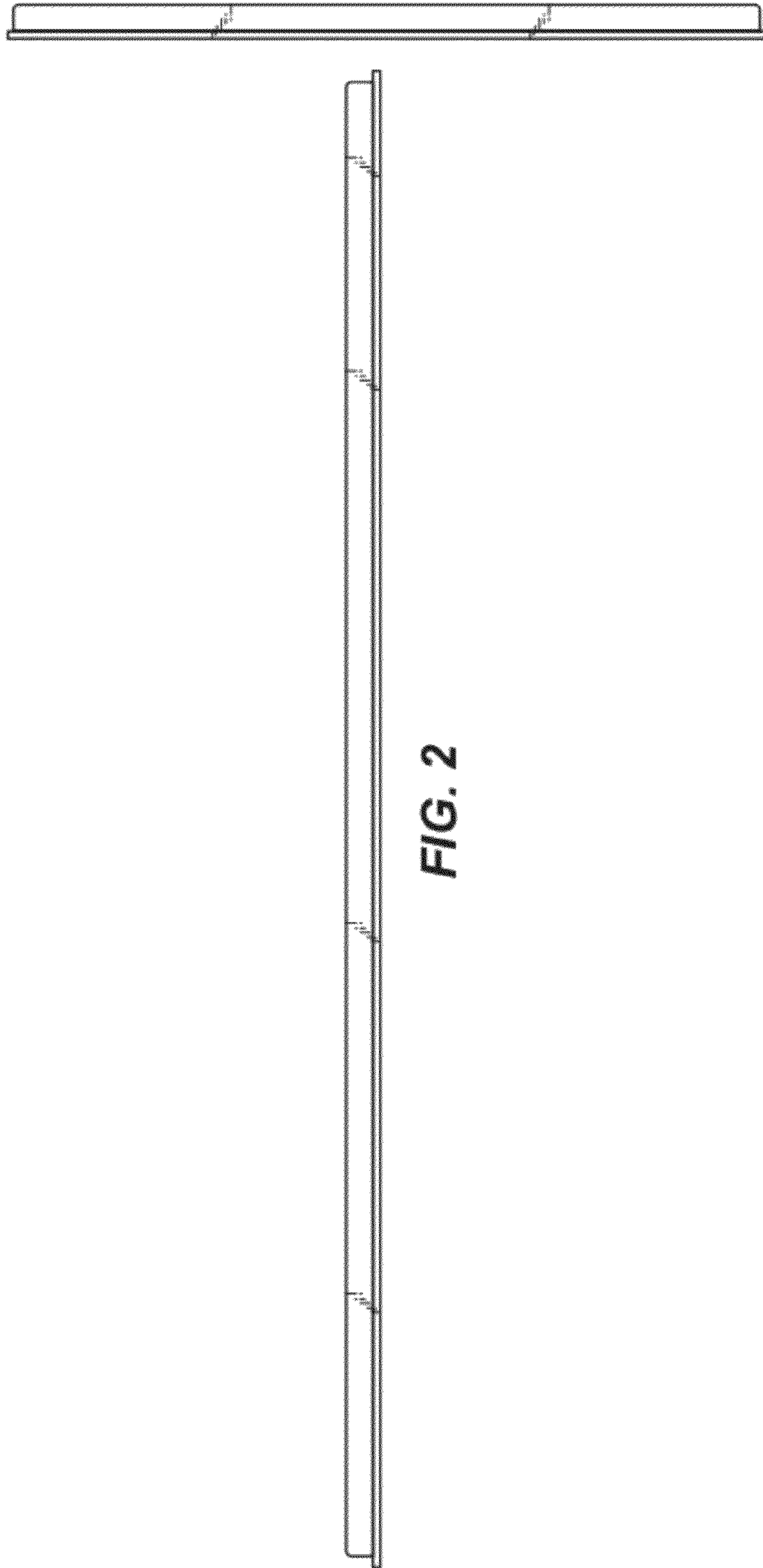


FIG. 2

FIG. 3

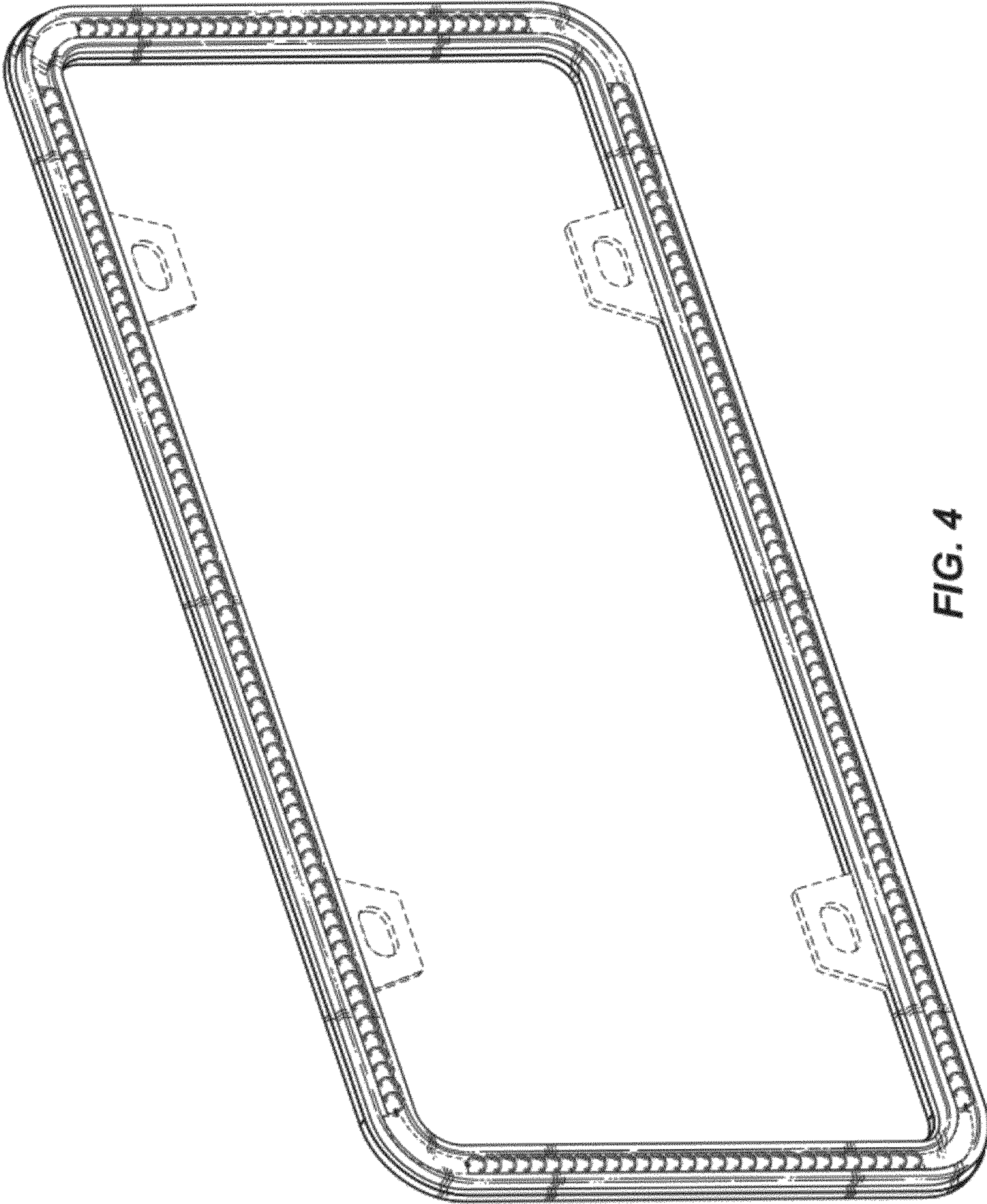


FIG. 4