



US00D662446S

(12) **United States Design Patent**  
**Hodges**

(10) **Patent No.:** **US D662,446 S**

(45) **Date of Patent:** **\*\* \*Jun. 26, 2012**

(54) **AUTOMOTIVE GRILLE**

(76) Inventor: **Francisco J. Hodges**, Yorba Linda, CA  
(US)

(\* ) Notice: This patent is subject to a terminal disclaimer.

(\*\*) Term: **14 Years**

(21) Appl. No.: **29/382,384**

(22) Filed: **Jan. 3, 2011**

(51) **LOC (9) Cl.** ..... **12-16**

(52) **U.S. Cl.** ..... **D12/163**

(58) **Field of Classification Search** ..... D12/163,  
D12/196, 171, 169, 216, 90-92, 86; 180/68.1,  
180/68.6; 296/193.11

See application file for complete search history.

(56) **References Cited**

**U.S. PATENT DOCUMENTS**

D488,111 S \* 4/2004 Elwell ..... D12/163  
D546,247 S \* 7/2007 Abbett ..... D12/163

D570,264 S \* 6/2008 Spry ..... D12/171  
D613,211 S \* 4/2010 Wu ..... D12/163  
D613,212 S \* 4/2010 Wu ..... D12/163  
D631,404 S \* 1/2011 Hodges ..... D12/163  
D640,176 S \* 6/2011 Hodges ..... D12/163

\* cited by examiner

*Primary Examiner* — Melody N Brown

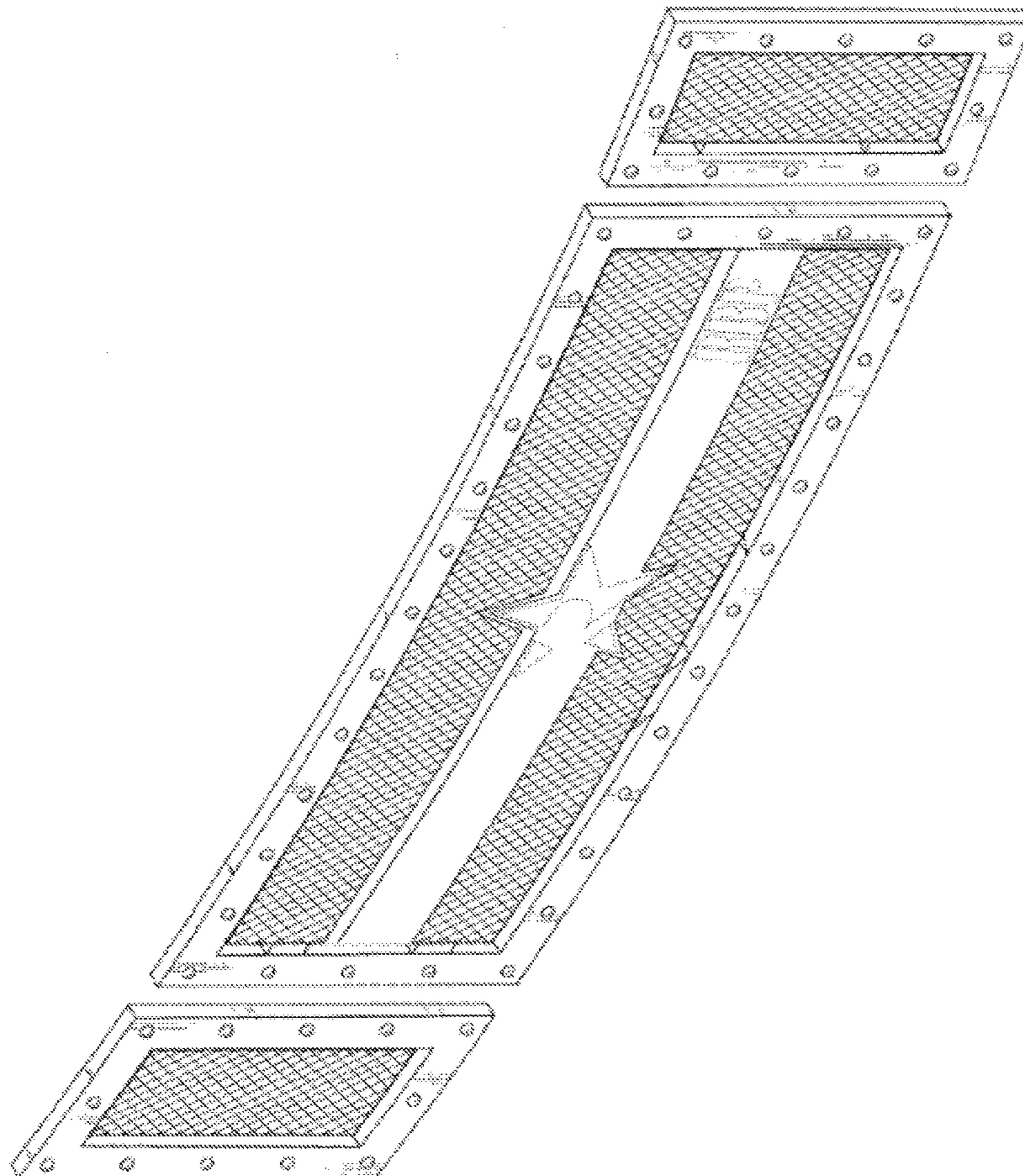
(57) **CLAIM**

The ornamental design for an automotive grille, as shown and described.

**DESCRIPTION**

FIG. 1 is a front view of an automotive grille showing of my new design;  
FIG. 2 is a rear view thereof;  
FIG. 3 is a top view thereof;  
FIG. 4 is a bottom view thereof;  
FIG. 5 is a left-side view thereof;  
FIG. 6 is a right-side view thereof; and,  
FIG. 7 is a perspective view thereof.

**1 Claim, 3 Drawing Sheets**



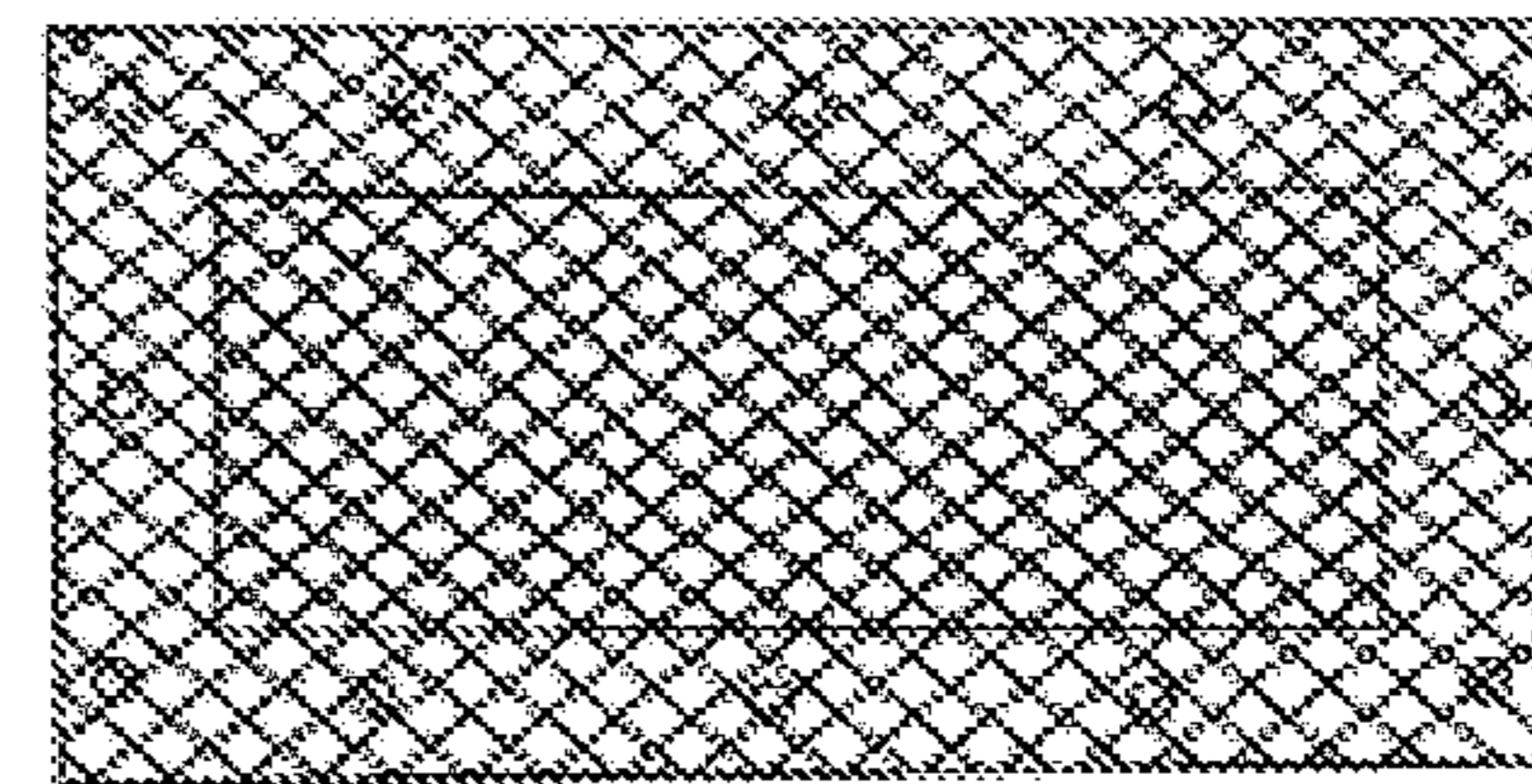
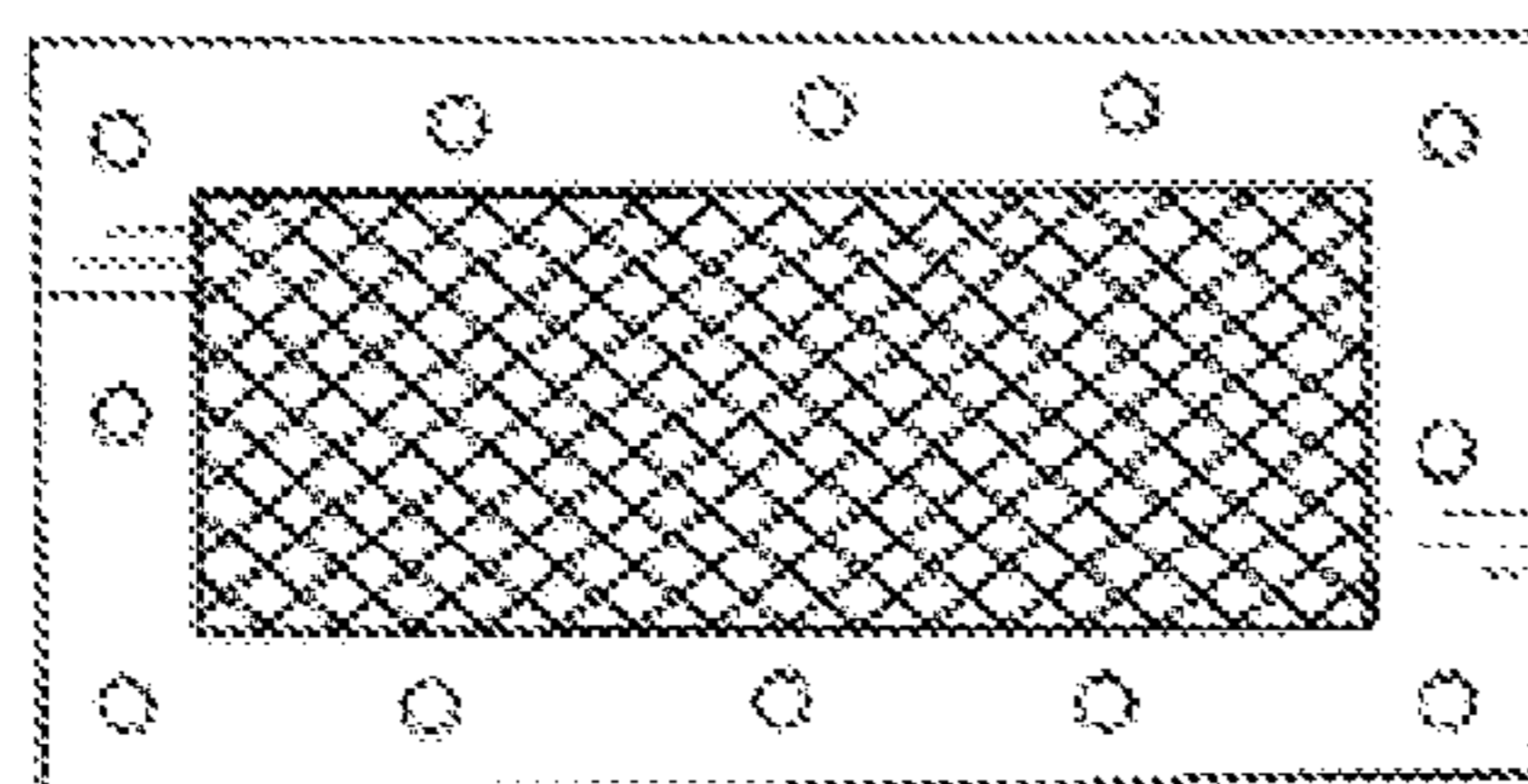
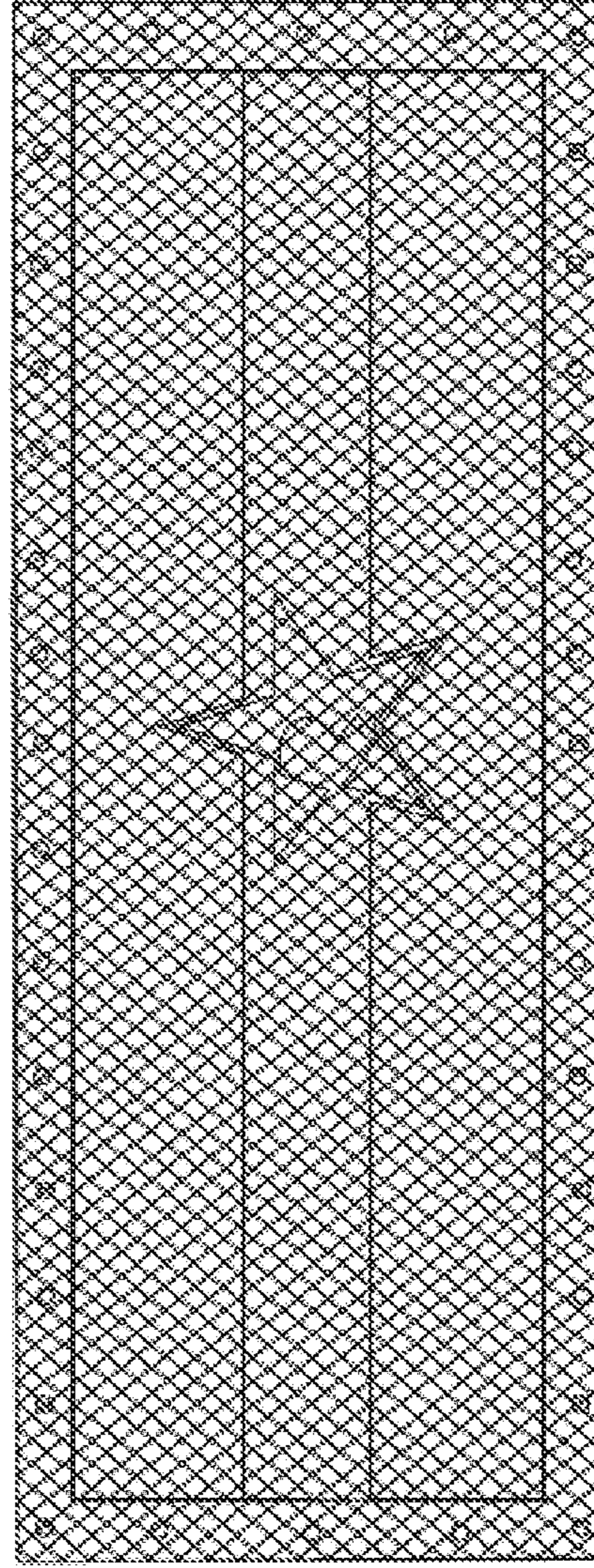
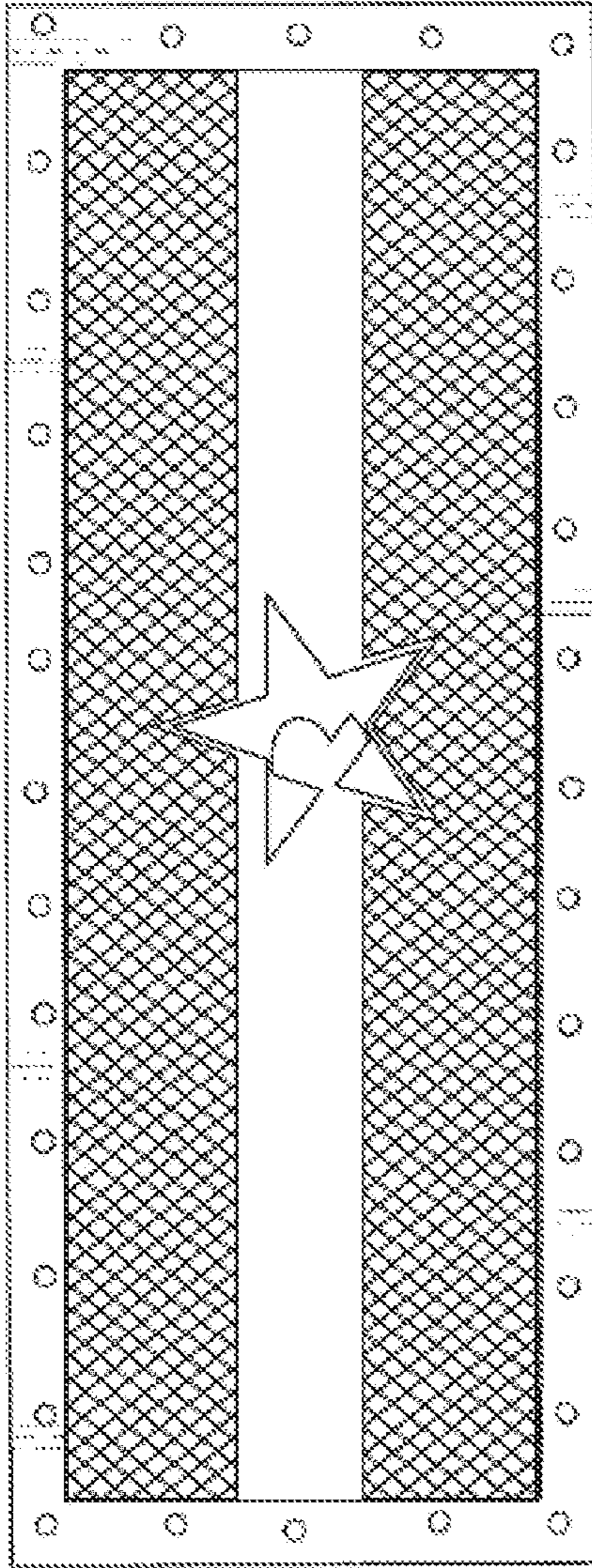
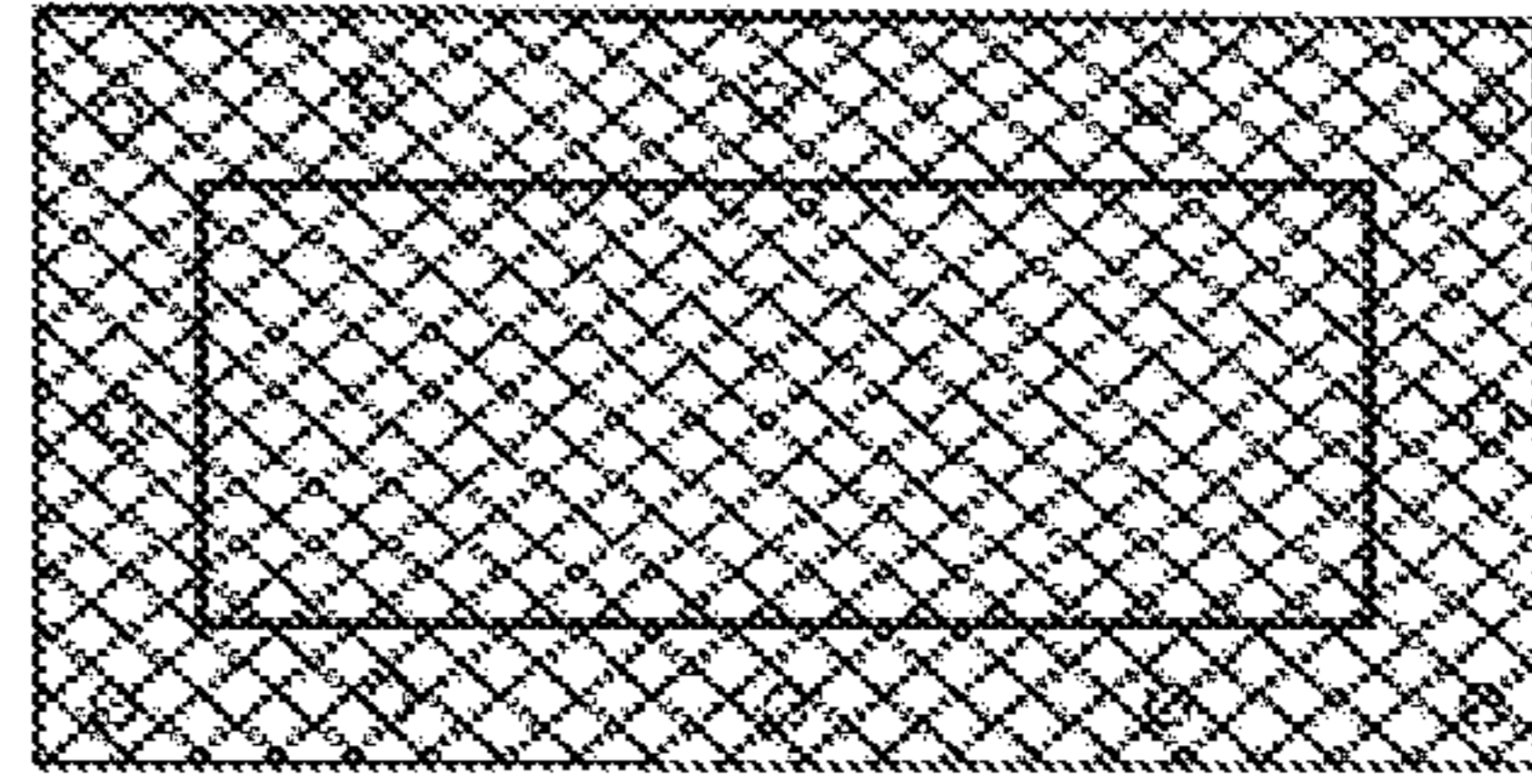
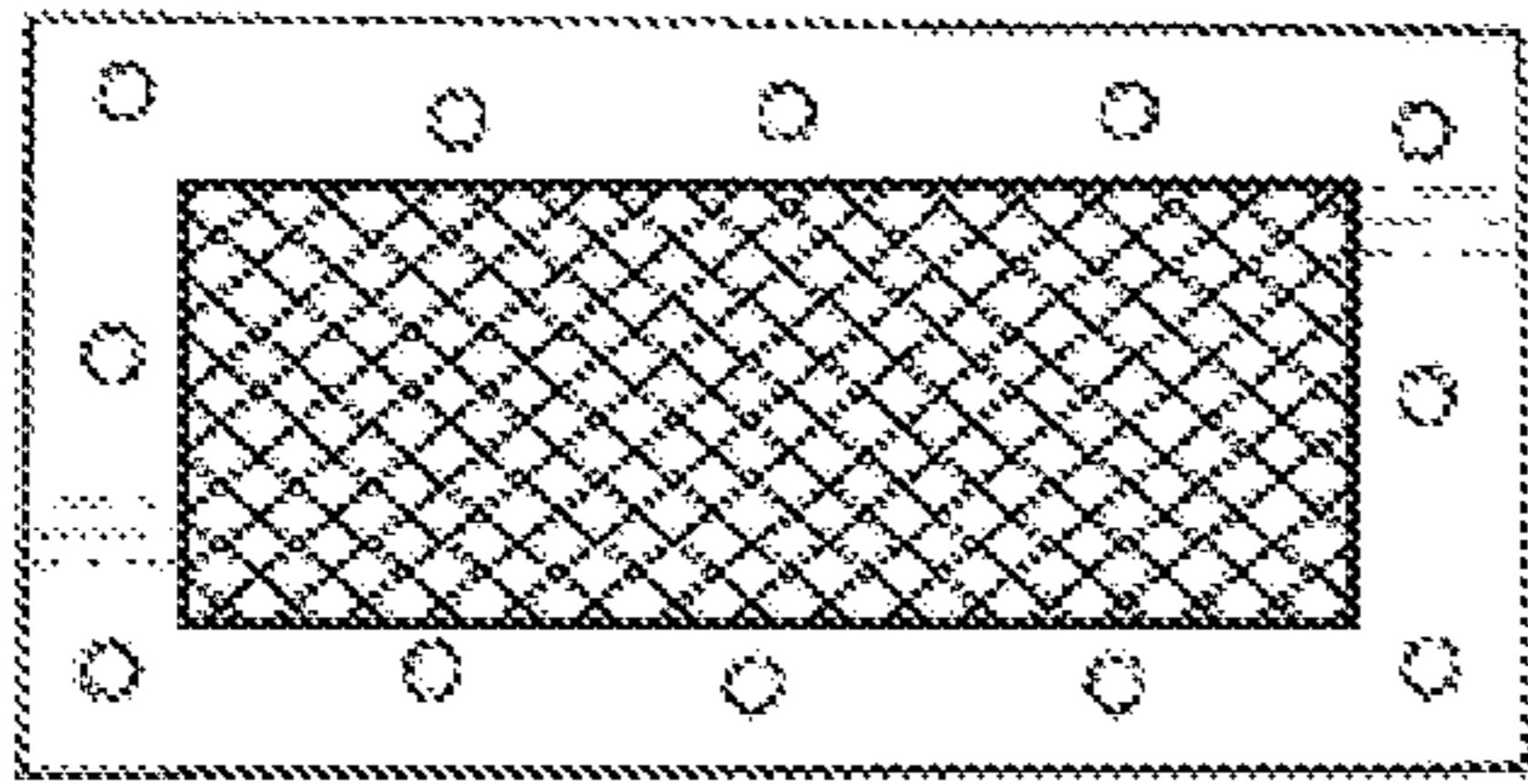


FIG. 1

FIG. 2

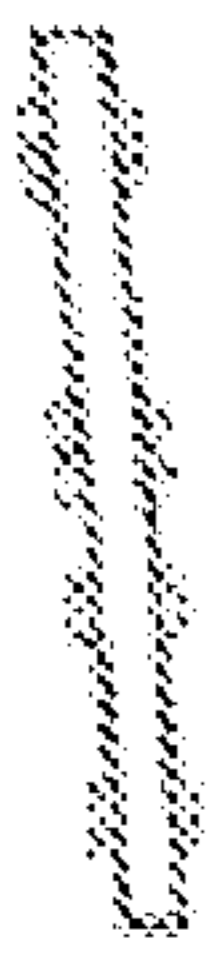


FIG. 3

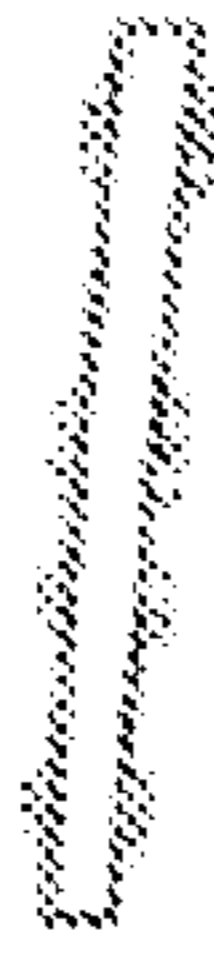


FIG. 4

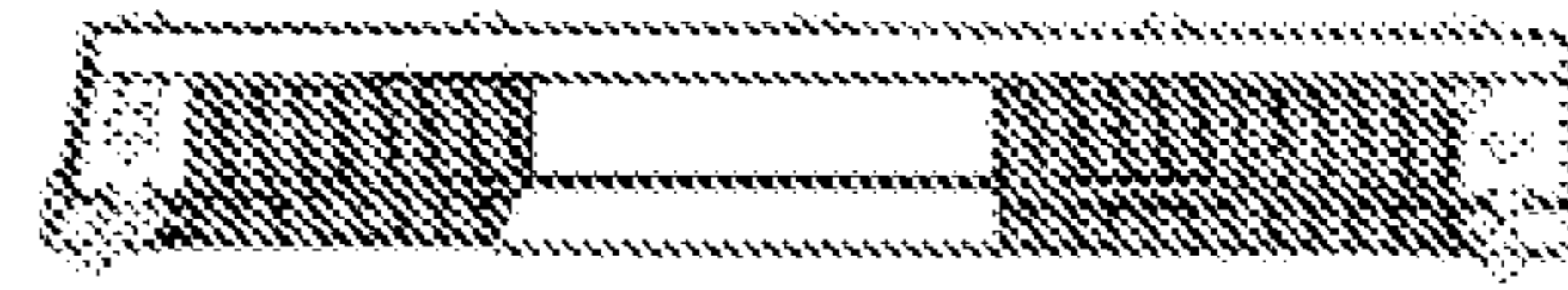
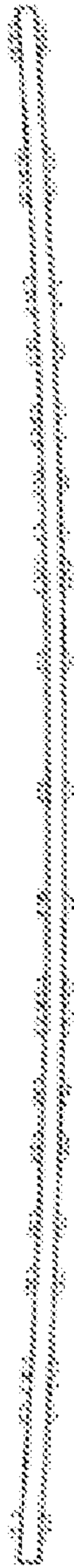


FIG. 5

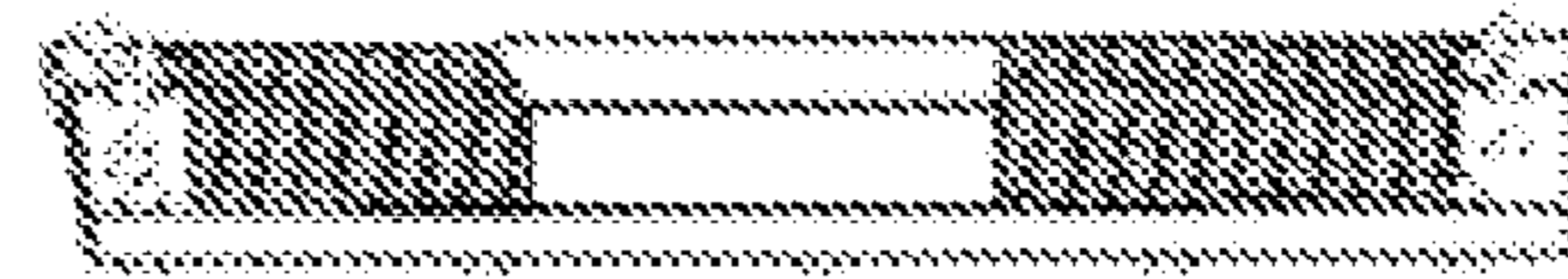


FIG. 6

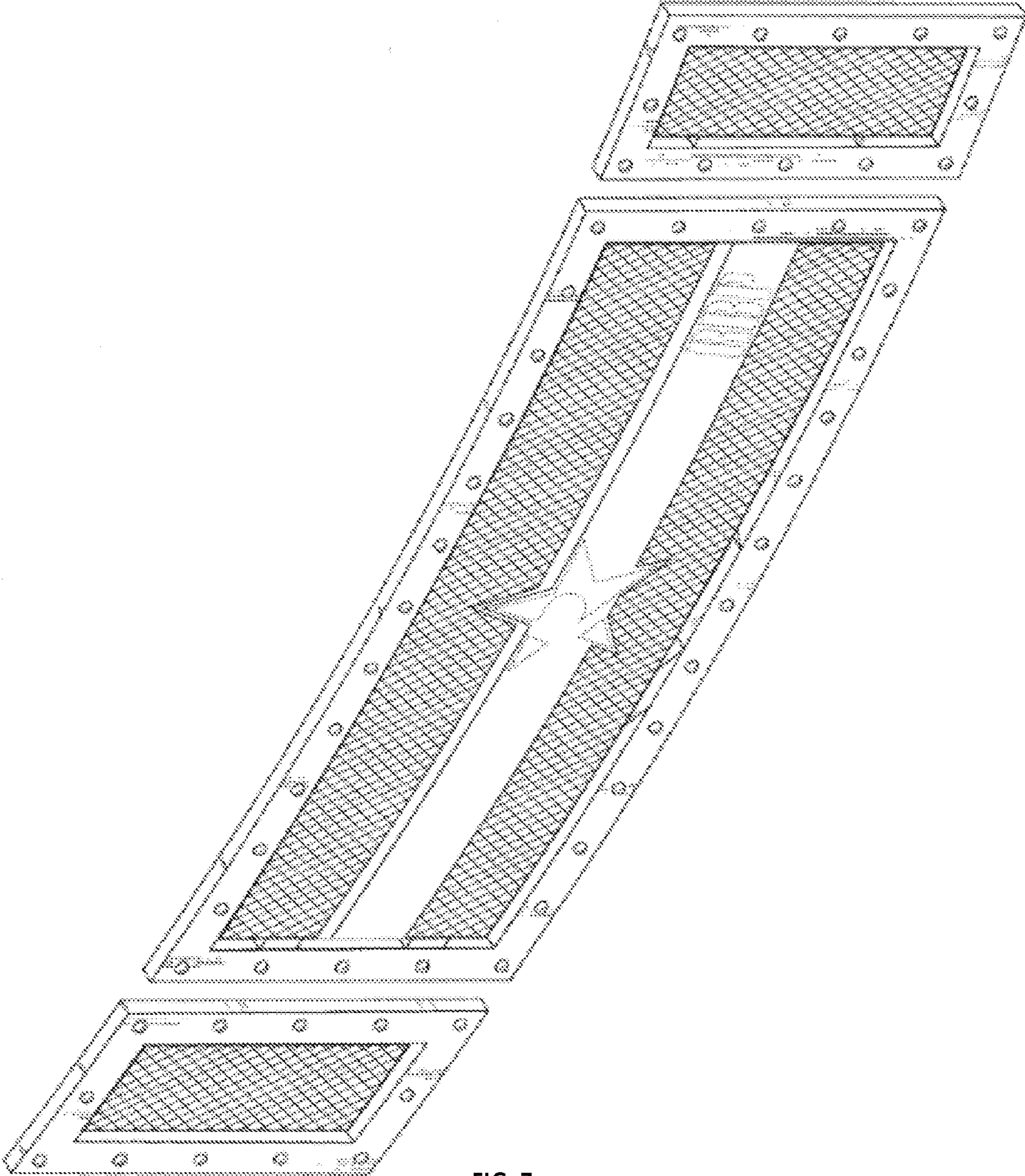


FIG. 7