



US00D662445S

(12) **United States Design Patent**  
**Uimonen**

(10) **Patent No.:** **US D662,445 S**

(45) **Date of Patent:** **\*\* Jun. 26, 2012**

(54) **FOLDABLE BICYCLE FRAME**

(75) Inventor: **Joakim Uimonen**, San Chung (TW)

(73) Assignee: **Mobility Holdings, Limited**, Wanchai (HK)

(\*\*) Term: **14 Years**

(21) Appl. No.: **29/390,630**

(22) Filed: **Apr. 27, 2011**

(51) **LOC (9) Cl.** ..... **12-11**

(52) **U.S. Cl.** ..... **D12/111**

(58) **Field of Classification Search** ..... D12/111,  
D12/117; 280/274–280, 281.1, 283–288,  
280/288.1–288.4

See application file for complete search history.

(56) **References Cited**

**U.S. PATENT DOCUMENTS**

3,722,913	A *	3/1973	Housayama	.....	280/287
D235,249	S *	6/1975	Kitsuda	.....	D12/111
4,541,648	A *	9/1985	Takamiya et al.	.....	280/281.1
7,393,125	B1 *	7/2008	Lai	.....	280/281.1
D586,702	S *	2/2009	Morris	.....	D12/111
D610,047	S *	2/2010	Uimonen	.....	D12/111
D622,638	S *	8/2010	Uimonen	.....	D12/111
D632,615	S *	2/2011	Uimonen	.....	D12/111

\* cited by examiner

*Primary Examiner* — Susan M Lee

*Assistant Examiner* — Linda G. Brooks

(74) *Attorney, Agent, or Firm* — Muncy, Geissler, Olds & Lowe, PLLC

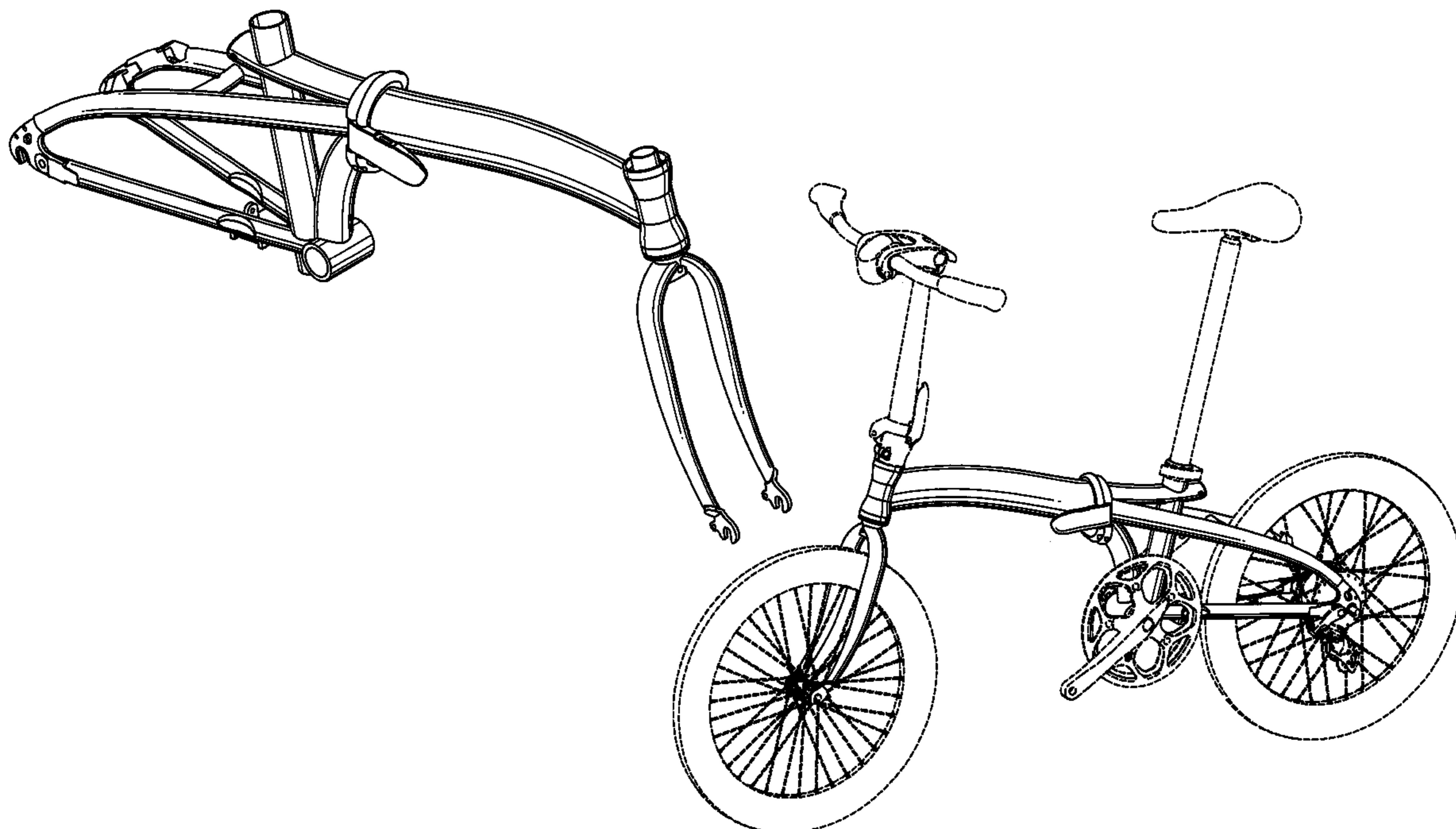
(57) **CLAIM**

The ornamental design for a foldable bicycle frame, as shown and described.

**DESCRIPTION**

FIG. 1 is a perspective view of a foldable bicycle frame in accordance with my design;  
 FIG. 2 is a front view thereof;  
 FIG. 3 is a rear view thereof;  
 FIG. 4 is a left view thereof;  
 FIG. 5 is a right view thereof;  
 FIG. 6 is a top view thereof;  
 FIG. 7 is a bottom view thereof;  
 FIG. 8 is a perspective view showing the foldable bicycle frame being assembled on a foldable bicycle;  
 FIG. 9 is a perspective view of a foldable bicycle frame showing a second embodiment of my design;  
 FIG. 10 is a front view of FIG. 9;  
 FIG. 11 is a rear view of FIG. 9;  
 FIG. 12 is a left view of FIG. 9;  
 FIG. 13 is a right view of FIG. 9;  
 FIG. 14 is a top view of FIG. 9;  
 FIG. 15 is a bottom view of FIG. 9; and,  
 FIG. 16 is a perspective view showing the foldable bicycle frame of FIG. 9 being assembled on a foldable bicycle.  
 The broken lines illustrate environmental structure and form no part of the claimed design.

**1 Claim, 12 Drawing Sheets**



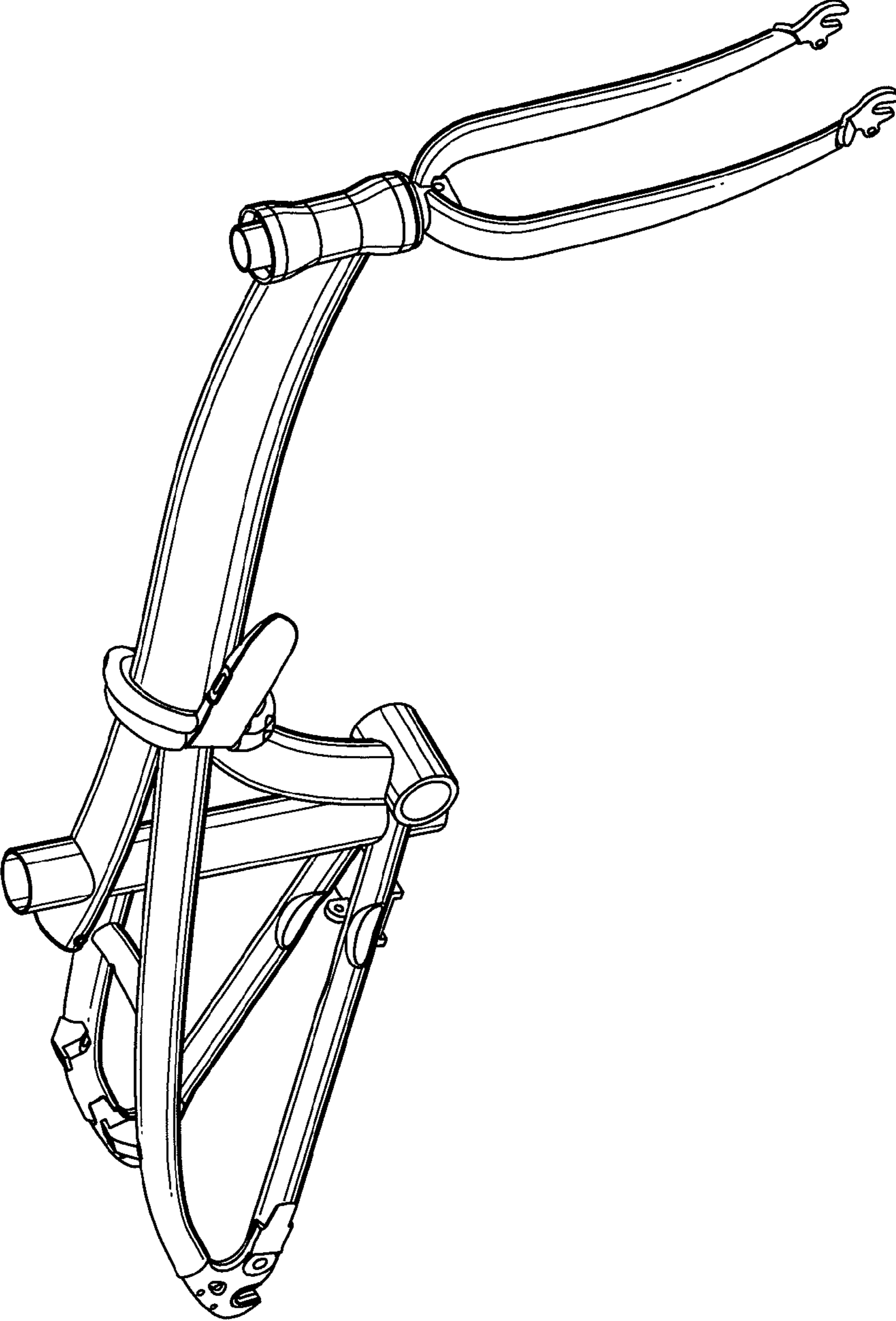


FIG. 1

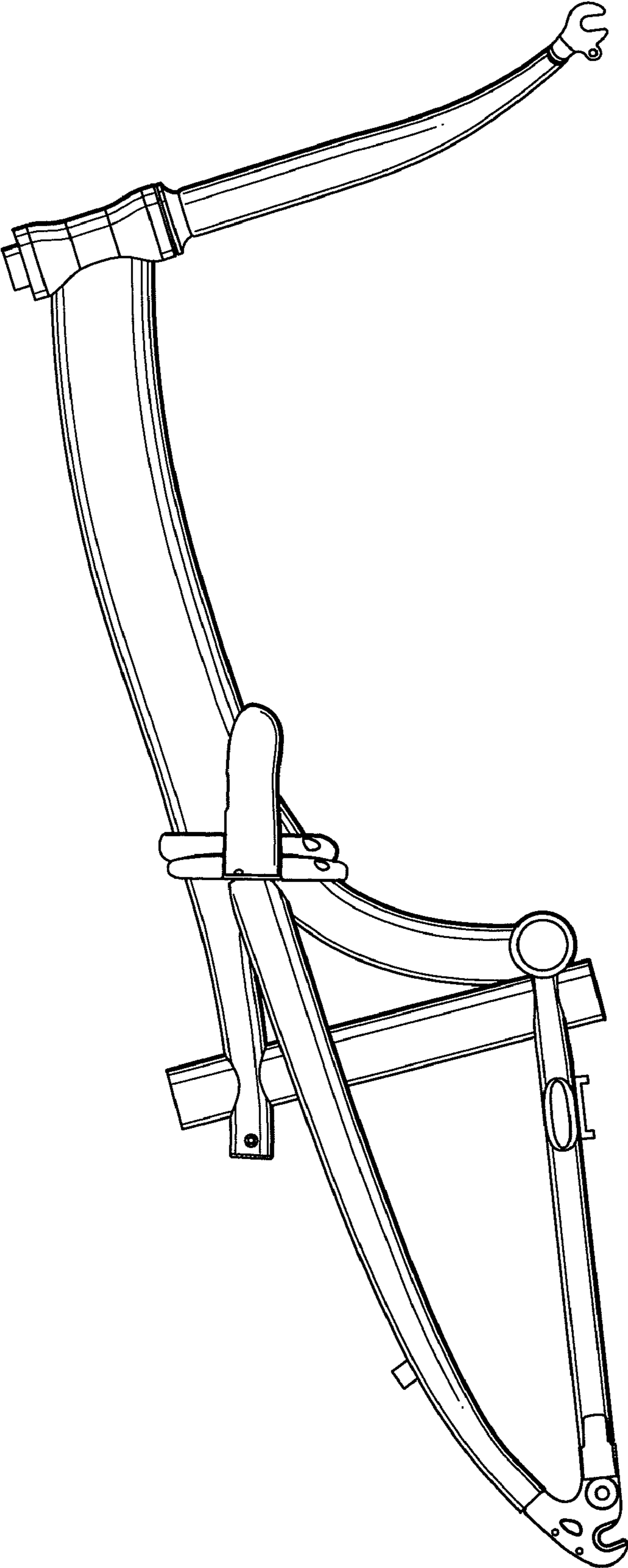


FIG. 2

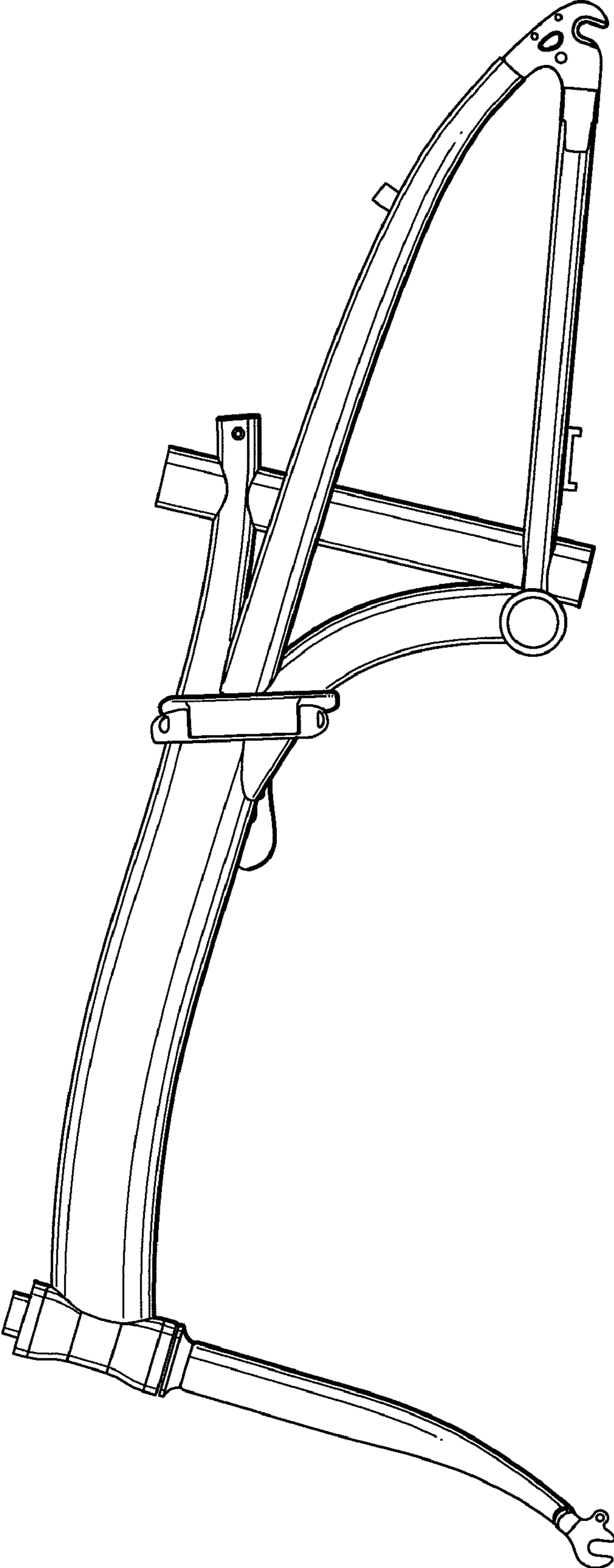


FIG. 3

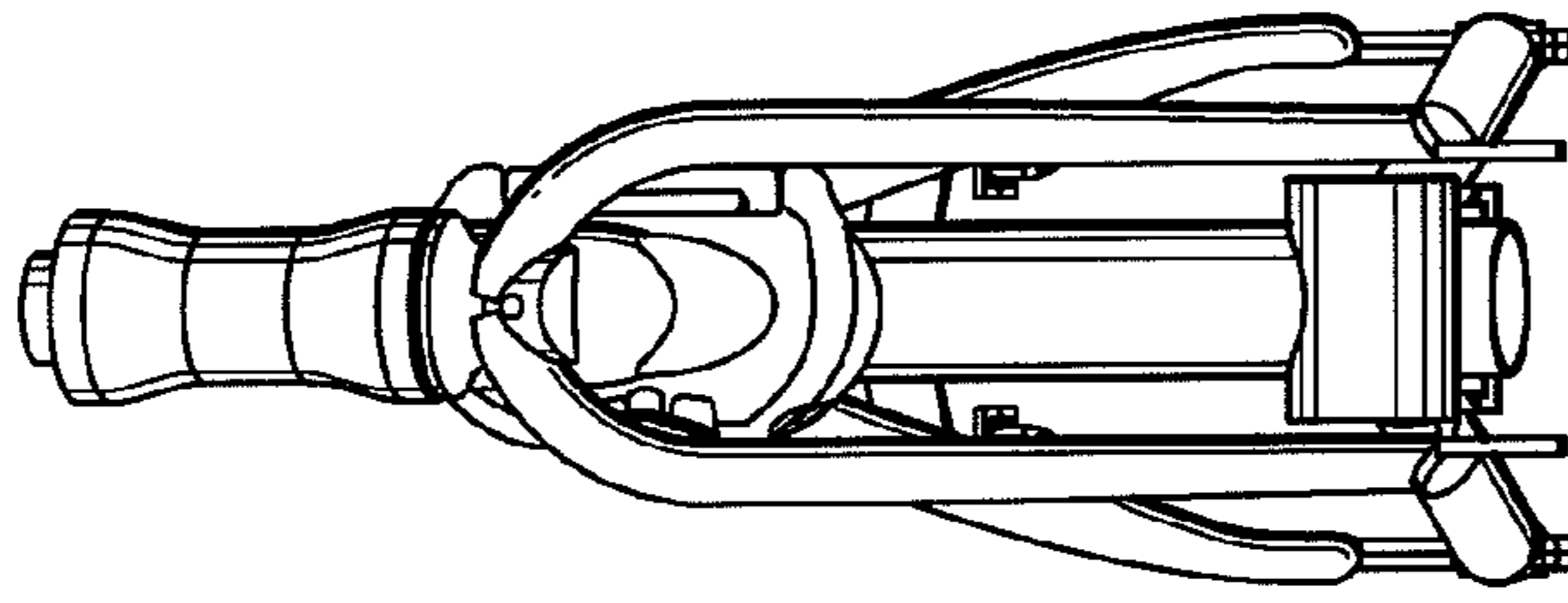


FIG. 5

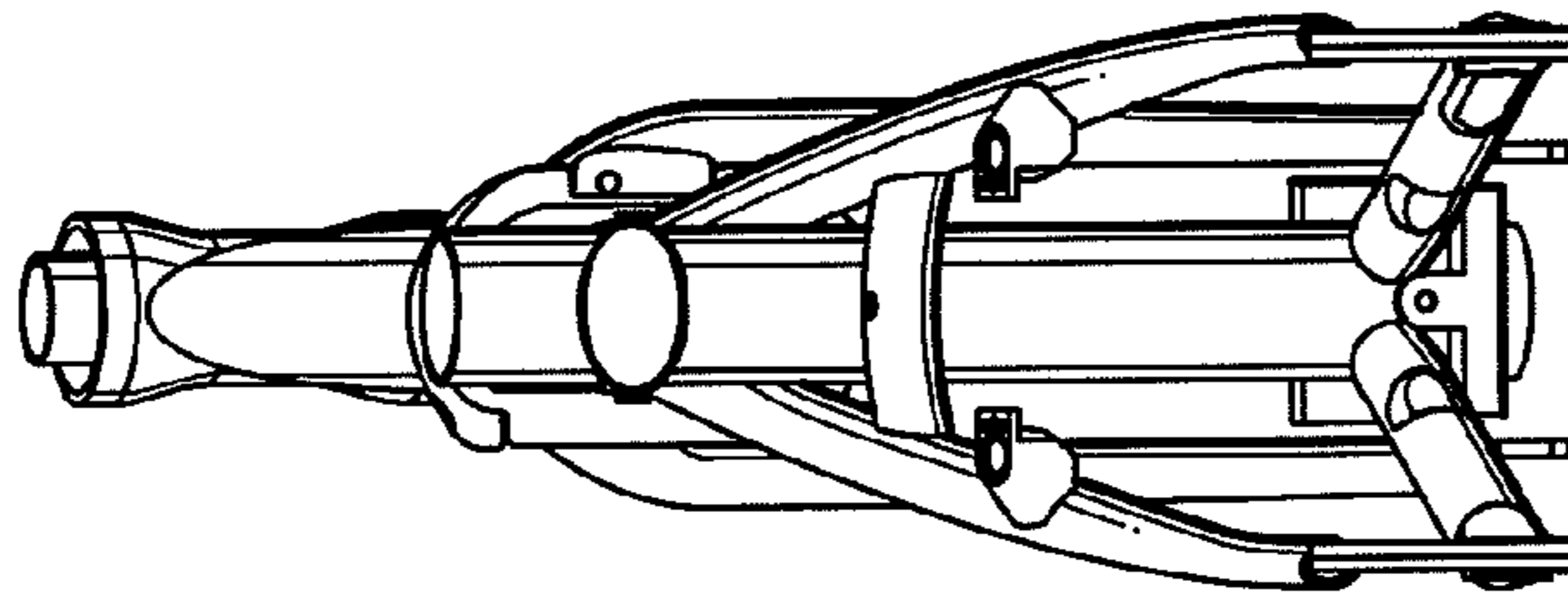


FIG. 4

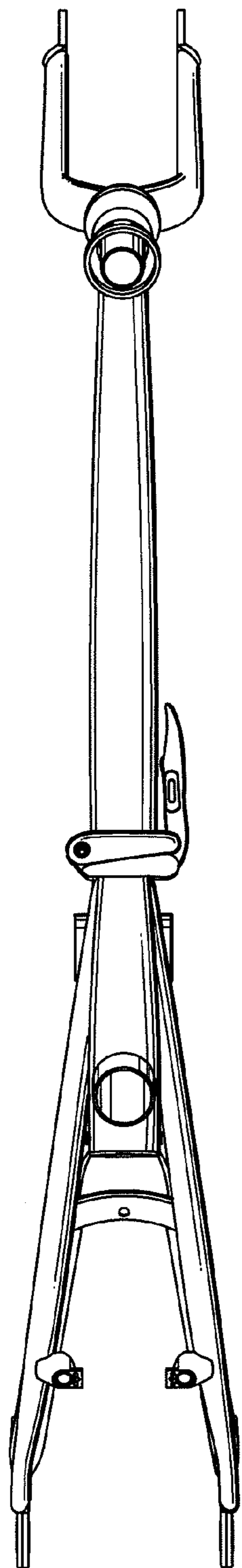


FIG. 6

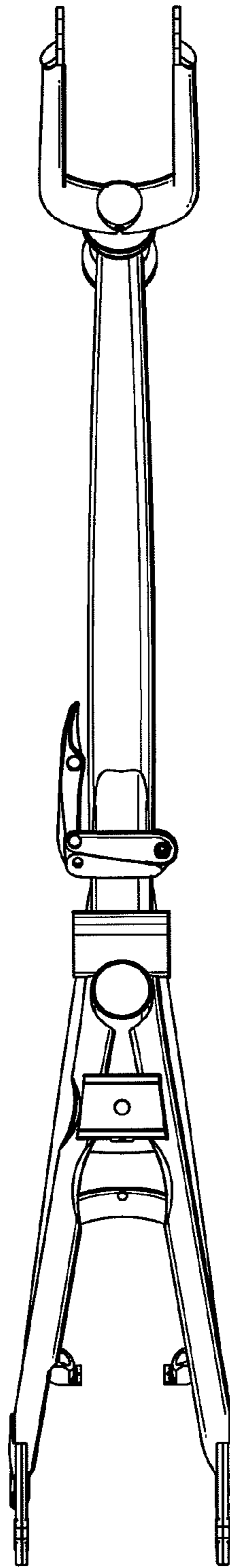


FIG. 7

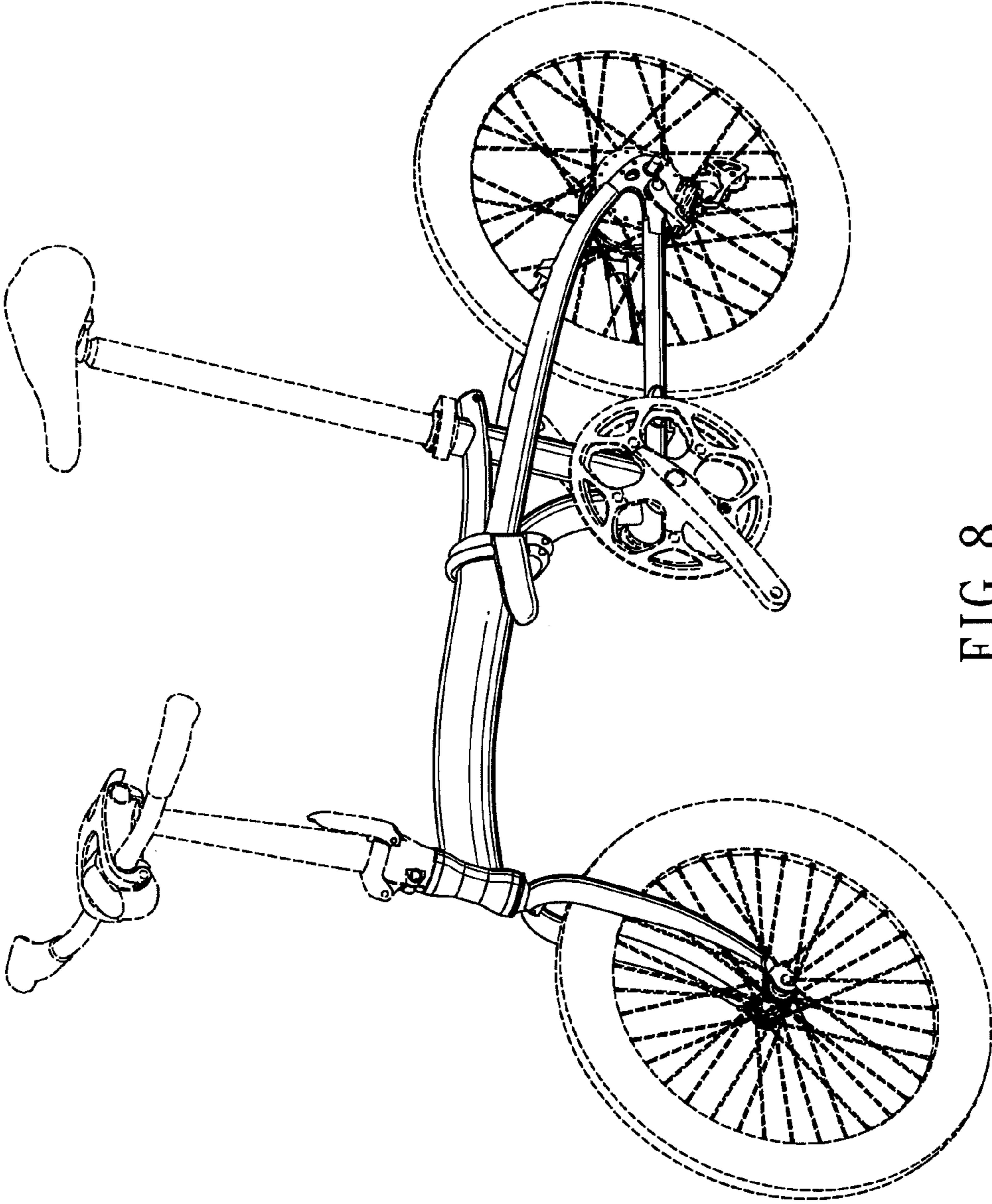


FIG. 8

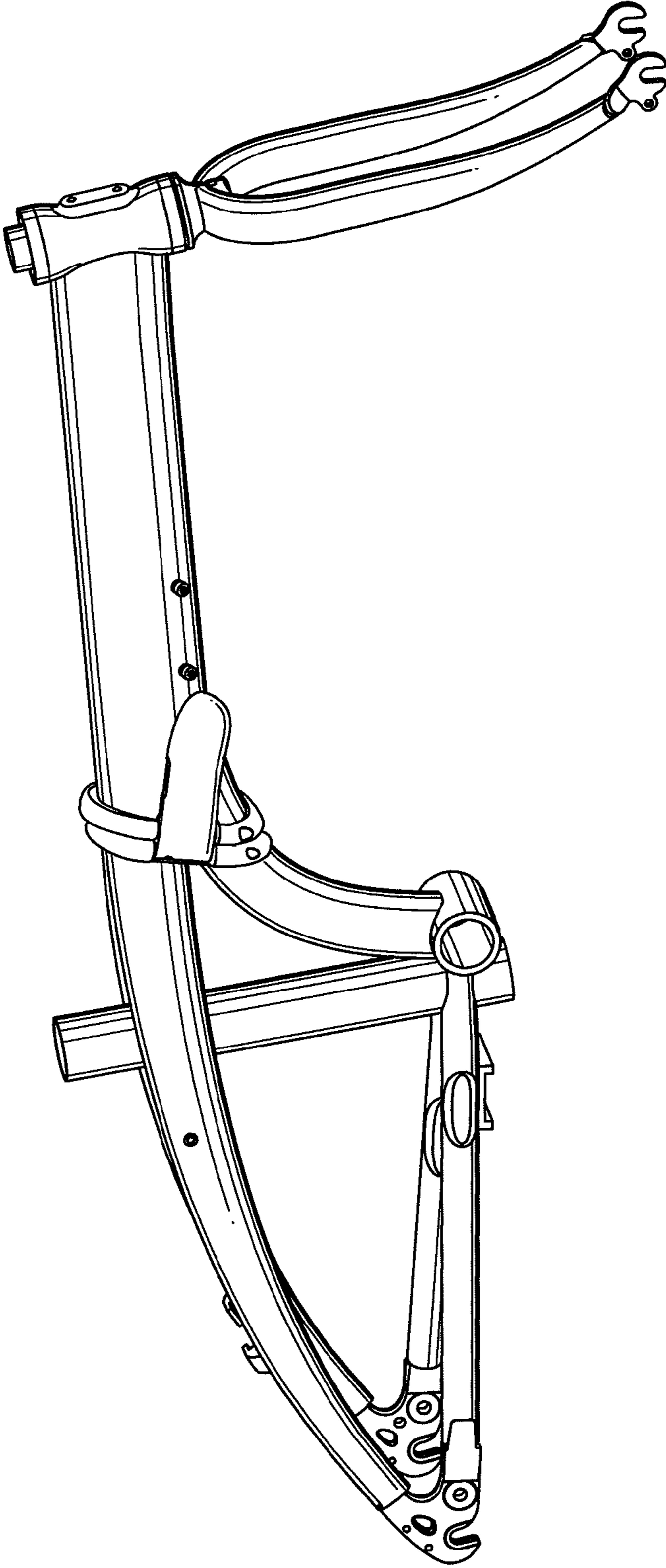


FIG. 9



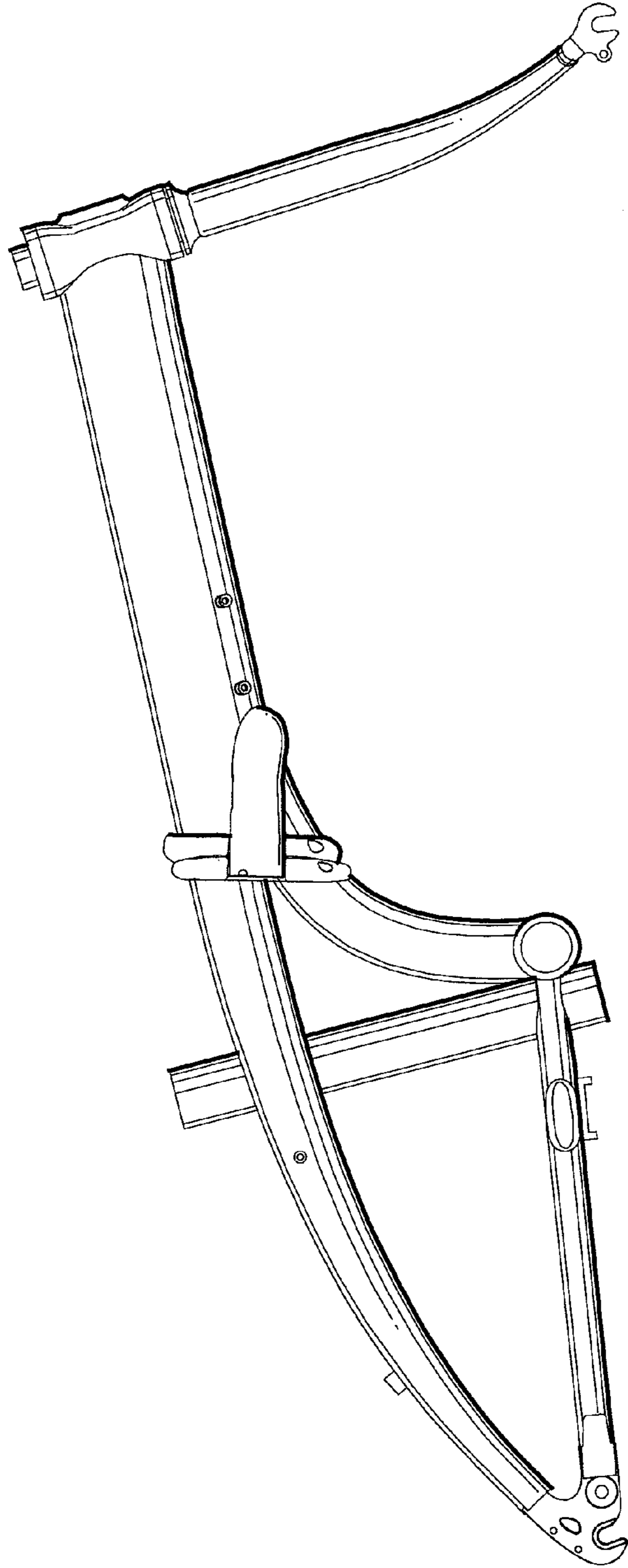


FIG. 10

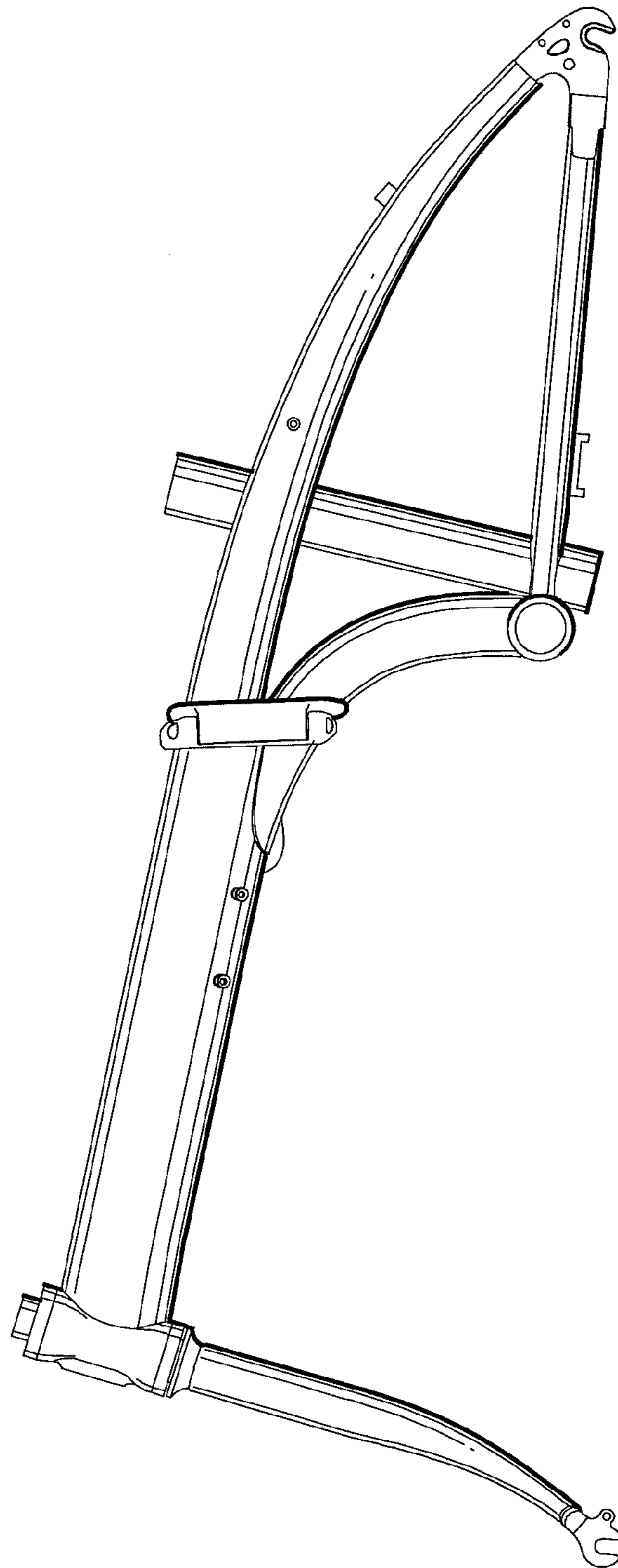


FIG. 11

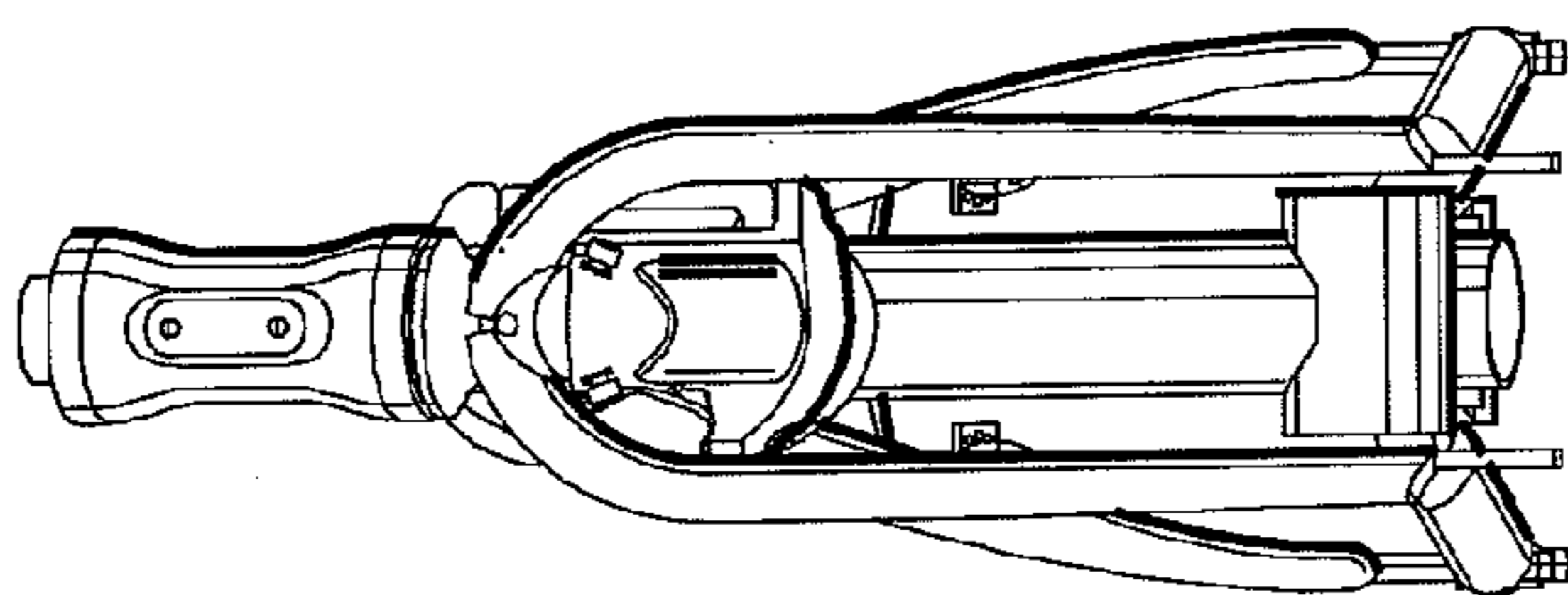


FIG. 13

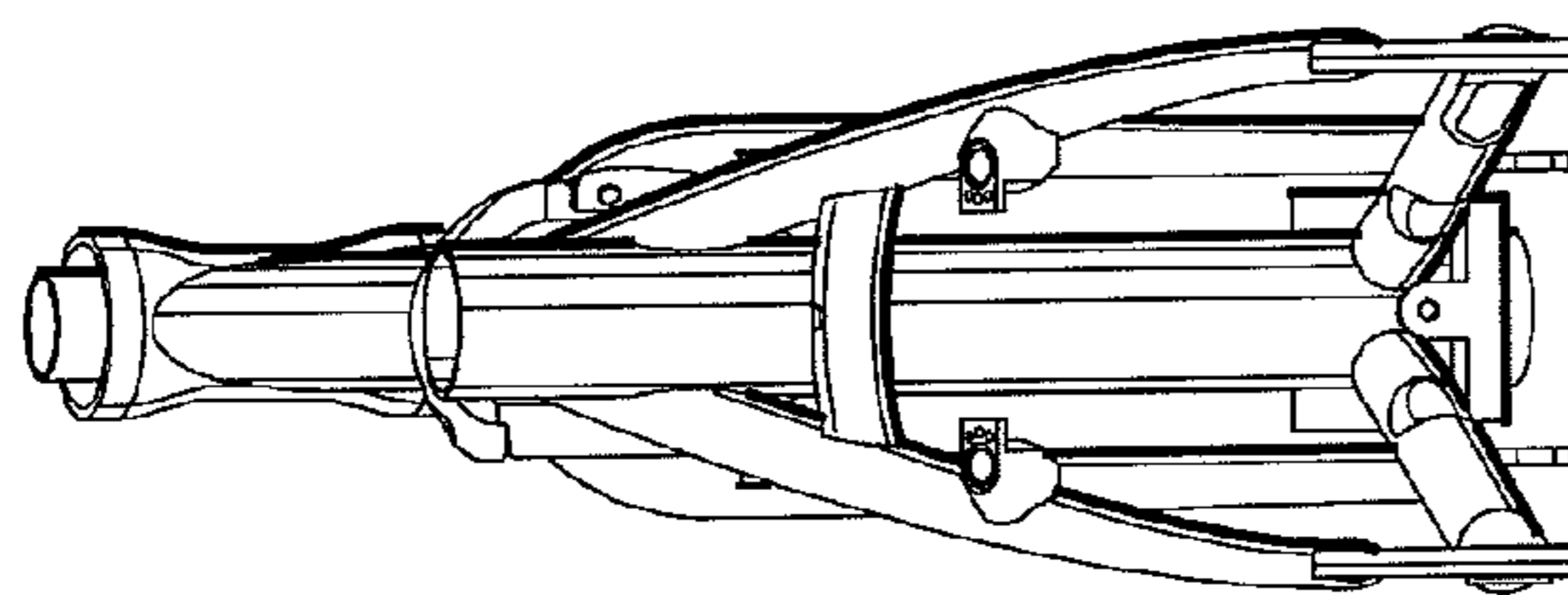


FIG. 12

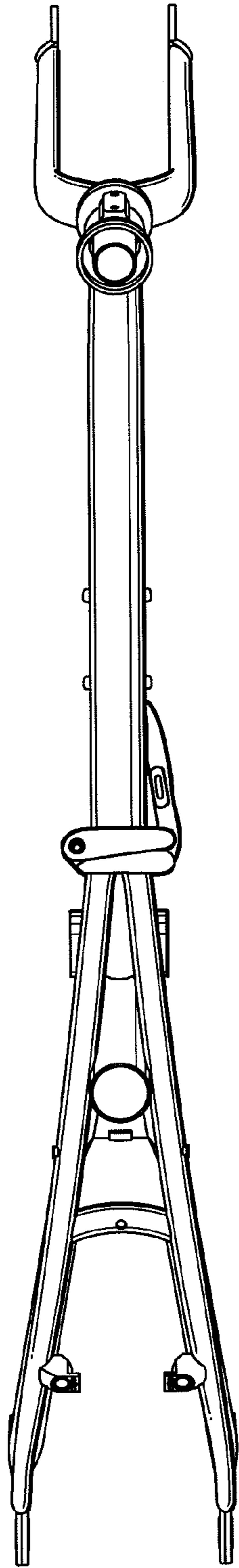


FIG. 14

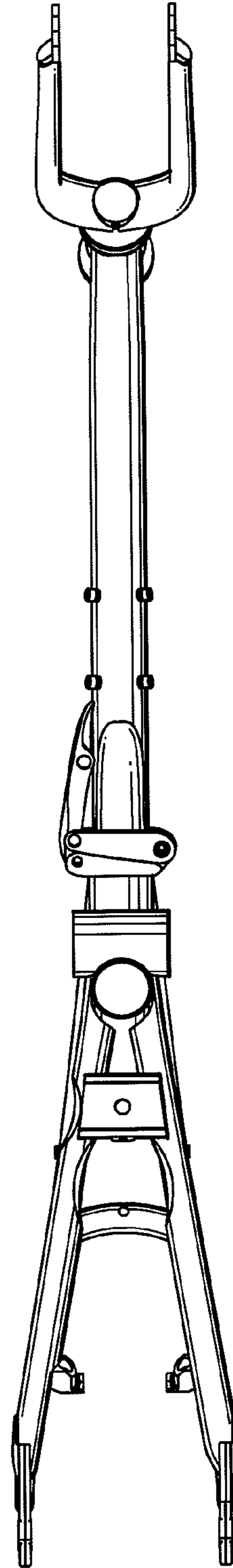


FIG. 15

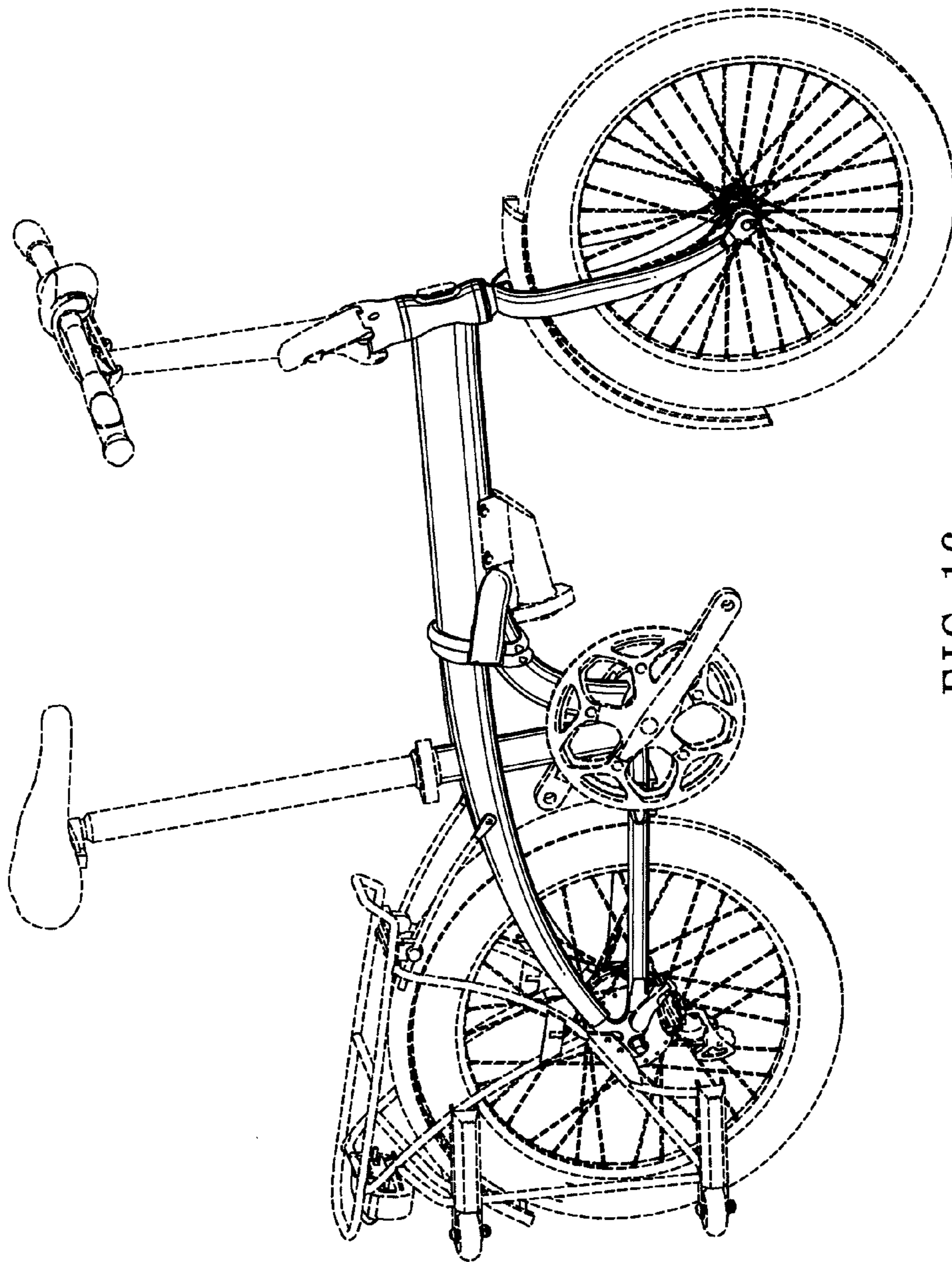


FIG. 16