

US00D662443S

(12) **United States Design Patent**  
**Voss**

(10) **Patent No.:** **US D662,443 S**  
(45) **Date of Patent:** **\*\* Jun. 26, 2012**

(54) **COMBINED DISPLAY AND VEHICLE**

(76) Inventor: **Richard A. Voss**, Cupertino, CA (US)

(\*\*) Term: **14 Years**

(21) Appl. No.: **29/387,925**

(22) Filed: **Mar. 21, 2011**

2,140,590 A	12/1938	Meininger	
2,412,146 A	12/1946	Hansen	
D162,354 S	3/1951	Smith	
D162,355 S	3/1951	Smith	
2,723,862 A	11/1955	DalGLISH	
2,724,917 A *	11/1955	Norfleet	..... 40/591
2,860,436 A	11/1958	Silver	
3,051,502 A	8/1962	Webster	
3,054,328 A	9/1962	Rodgers	
D196,427 S	10/1963	Anderson et al.	
3,158,383 A	11/1964	Anderson et al.	
3,193,330 A	7/1965	Hribar, Jr.	
D204,751 S	5/1966	Mendez	

(Continued)

**Related U.S. Application Data**

(62) Division of application No. 29/355,470, filed on Feb. 8, 2010, now Pat. No. Des. 634,672, which is a division of application No. 29/327,568, filed on Nov. 7, 2008, now Pat. No. Des. 611,880, which is a division of application No. 29/267,742, filed on Oct. 20, 2006, now Pat. No. Des. 583,712.

(51) **LOC (9) Cl.** ..... **12-08**

(52) **U.S. Cl.** ..... **D12/93; D20/19**

(58) **Field of Classification Search** ..... D20/10, D20/17, 19, 35, 39, 40, 99; D12/82, 93, D12/95, 98, 96; 40/556, 584, 587-590; D21/554; 280/400, 615; 296/21, 25, 26.01, 181.3, 296/182.1, 183.2, 187.01; 298/1 T, 1 B, 298/11, 12, 17 R, 17.7, 18, 22 F, 21 R, 23 C, 298/23 TT; 410/68; 414/345, 499

See application file for complete search history.

(56) **References Cited**

**U.S. PATENT DOCUMENTS**

192,365 A	6/1877	Fleischmann
299,751 A	6/1884	De Planque
D28,455 S	4/1898	Baker
1,442,049 A	1/1923	Church
1,720,531 A	7/1929	Siegel
1,749,274 A	3/1930	Crisler
D94,668 S	2/1935	Drake
D94,669 S	2/1935	Drake

**OTHER PUBLICATIONS**

Flying J Gasoline Tanker-Freefoto.com, downloaded May 6, 2010, 1 pgs., [http://www.freefoto.com/images/21/42/21\\_42\\_9--Flying-J-Gasoline-Tanker\\_web.jpg?&k](http://www.freefoto.com/images/21/42/21_42_9--Flying-J-Gasoline-Tanker_web.jpg?&k).

(Continued)

*Primary Examiner* — Mary Ann Calabrese  
(74) *Attorney, Agent, or Firm* — Morgan, Lewis & Bockius LLP

(57) **CLAIM**

An ornamental design for a combined display and vehicle, as shown and described.

**DESCRIPTION**

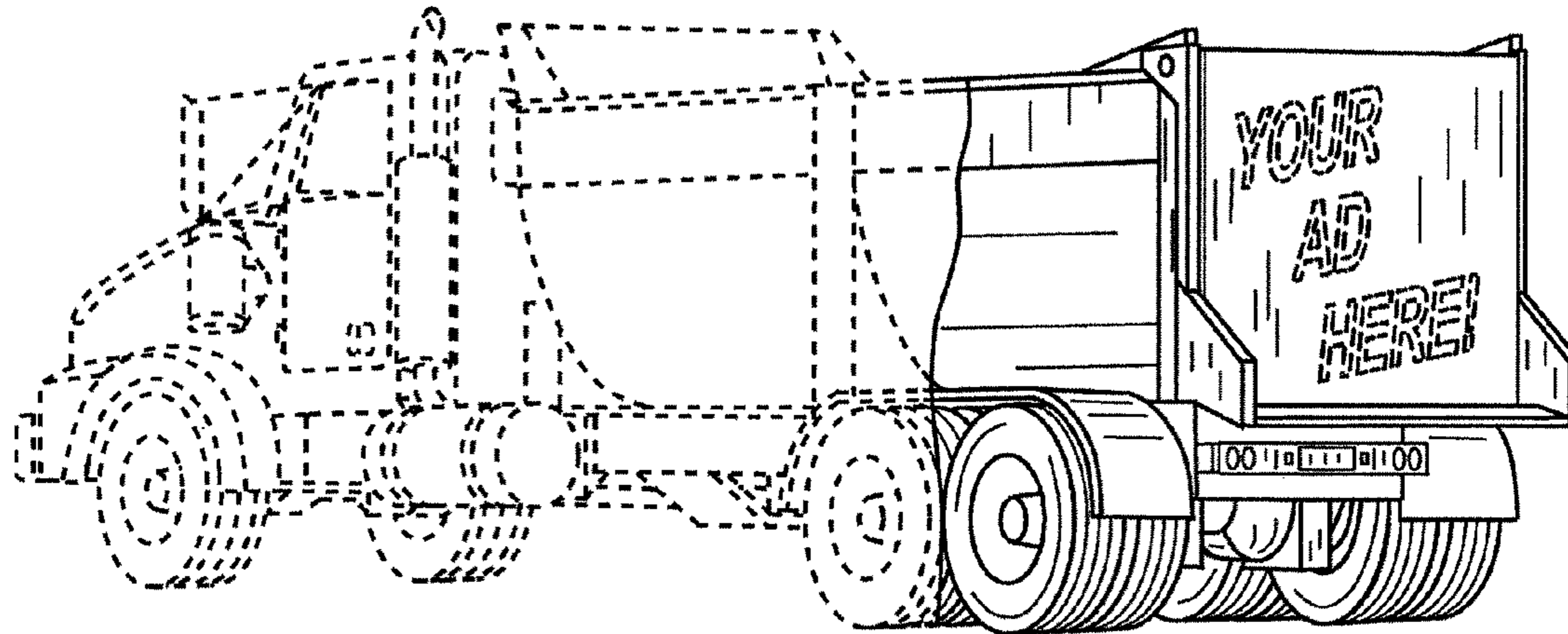
FIG. 1 is a back perspective view of my new design of a combined display and vehicle.

FIG. 2 is a side view of my new design; and,

FIG. 3 is a back view of my new design.

The broken lines showing elements of the combined display and vehicle in the above described figures are for illustrative purposes only and form no part of the claimed design.

**1 Claim, 3 Drawing Sheets**



# US D662,443 S

Page 2

## U.S. PATENT DOCUMENTS

3,763,584 A 10/1973 Falkenstein ..... 40/125 M  
3,771,829 A 11/1973 Breazeale et al. .... 298/17 R  
3,845,878 A 11/1974 Carlson ..... 220/89 A  
4,382,632 A 5/1983 Pitts ..... 298/17 S  
4,538,951 A 9/1985 Yeazel et al. .... 414/407  
4,789,170 A 12/1988 Reber ..... 280/5 D  
D327,665 S 7/1992 McCrary ..... D12/96  
5,143,496 A 9/1992 Smith et al. .... 410/68  
5,219,260 A \* 6/1993 Smith et al. .... 414/345  
5,255,464 A 10/1993 Marecek ..... 40/591  
5,454,620 A 10/1995 Hill et al. .... 296/184  
5,480,214 A 1/1996 Rogers ..... 298/17.6  
5,649,730 A 7/1997 Ramos ..... 296/21  
5,657,566 A 8/1997 Key ..... 40/590  
5,918,924 A 7/1999 Cowan ..... 296/21  
D432,173 S 10/2000 Baker ..... D20/17  
6,195,925 B1 3/2001 Werner ..... 40/591  
6,520,589 B2 2/2003 Jensen et al. .... 298/17.7  
D473,494 S 4/2003 Lieberman ..... D12/95  
6,554,367 B2 4/2003 Jensen ..... 298/18  
6,935,829 B2 \* 8/2005 Smith et al. .... 414/499  
D510,957 S \* 10/2005 Miller ..... D20/19  
7,004,548 B1 2/2006 Oberg ..... 298/8 T  
7,287,349 B1 10/2007 MacDonald et al. .... 40/591  
7,407,217 B2 \* 8/2008 Compaan ..... 296/183.2

D583,712 S 12/2008 Voss ..... D12/93  
D611,880 S 3/2010 Voss ..... D12/93  
D634,672 S \* 3/2011 Voss ..... D12/95  
2005/0231021 A1 10/2005 Hollinrake et al. .... 298/23 R  
2006/0248763 A1 11/2006 Tarabella ..... 40/590  
2006/0265922 A1 11/2006 Shaffer, Jr. .... 40/591  
2007/0089337 A1 4/2007 Van Kehrberg ..... 40/591  
2009/0112710 A1 4/2009 Ballina ..... 705/14

## OTHER PUBLICATIONS

Notice of Allowance for U.S. Appl. No. 29/267,742 dated Aug. 7, 2008, 4 pgs.  
Notice of Allowance for U.S. Appl. No. 29/327,568 dated Oct. 30, 2009, 4 pgs.  
Notice of Allowance for U.S. Appl. No. 29/355,470 dated Nov. 10, 2010, 4 pgs.  
Office Action for U.S. Appl. No. 29/267,742 dated Feb. 11, 2008, 7 pgs.  
Office Action for U.S. Appl. No. 29/327,568 dated May 14, 2009, 7 pgs.  
Office Action for U.S. Appl. No. 29/355,470 dated May 11, 2010, 8 pgs.

\* cited by examiner

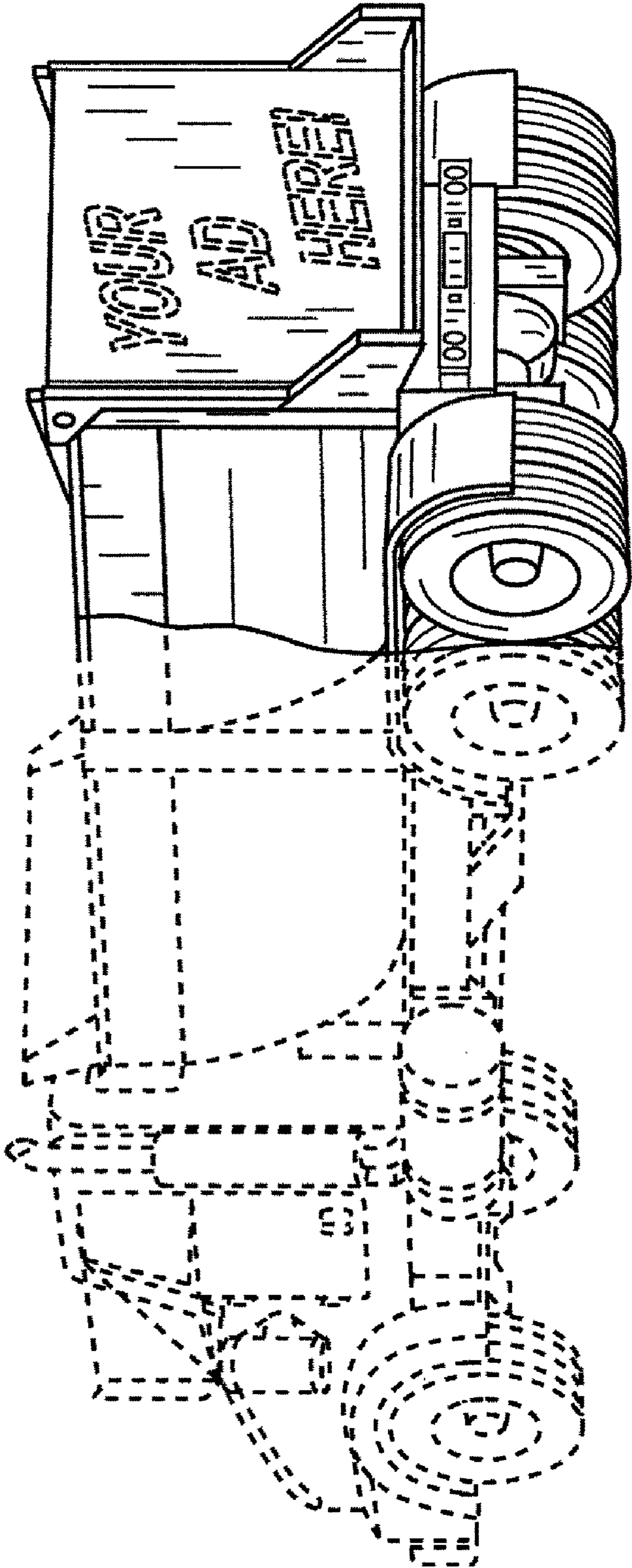


FIG 1

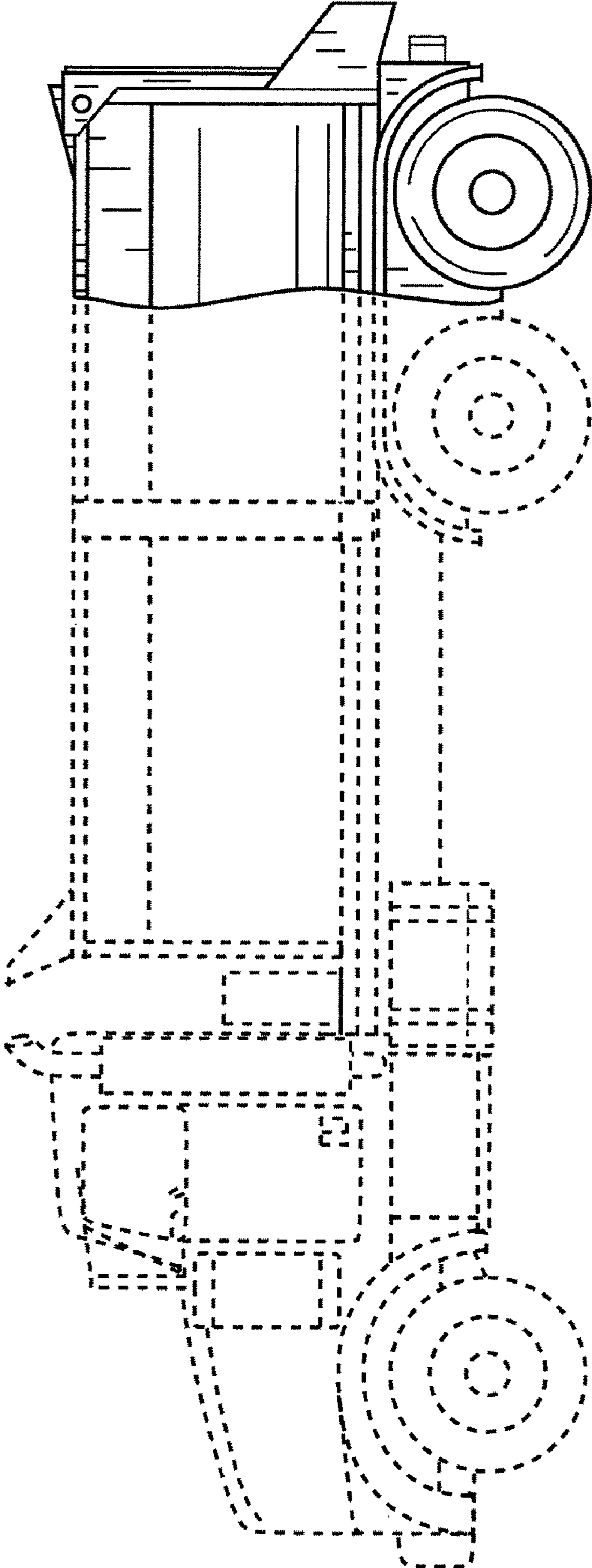
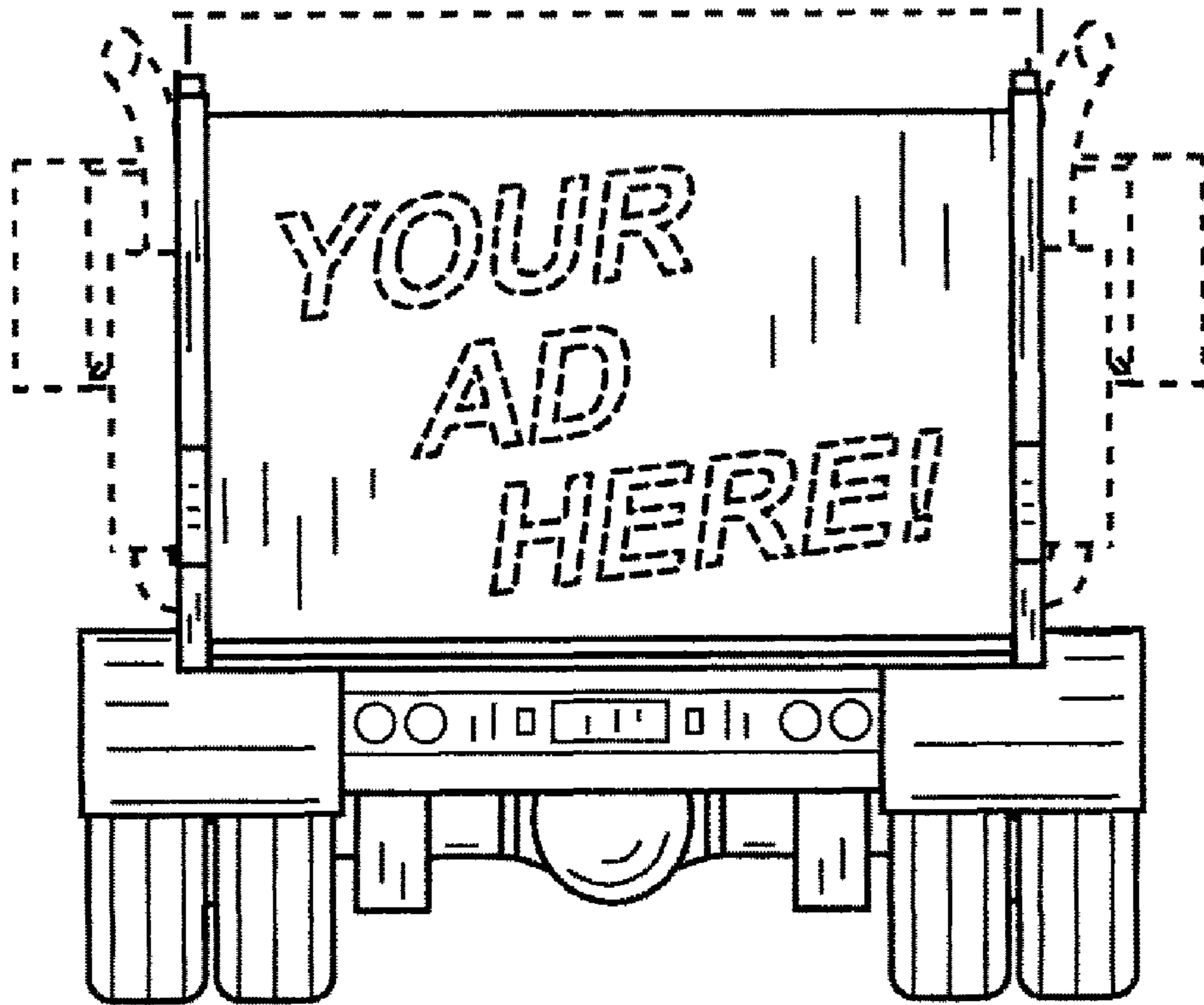


FIG 2



**FIG 3**