



US00D662439S

(12) **United States Design Patent**
Kejejian

(10) **Patent No.:** **US D662,439 S**
(45) **Date of Patent:** **** Jun. 26, 2012**

(54) **DIAMOND CUT**

(75) Inventor: **Toros Kejejian**, Glendale, CA (US)

(73) Assignee: **Tycoon Jewelry Inc.**, Glendale, CA (US)

(**) Term: **14 Years**

(21) Appl. No.: **29/390,875**

(22) Filed: **Apr. 29, 2011**

(51) **LOC (9) Cl.** **11-01**

(52) **U.S. Cl.** **D11/90**

(58) **Field of Classification Search** D11/1-2,
D11/26-29, 89-92; 63/26-28, 32

See application file for complete search history.

(56) **References Cited**

U.S. PATENT DOCUMENTS

D445,718 S * 7/2001 Kejejian D11/90
6,449,985 B1 9/2002 Kejejian

D499,981 S 12/2004 Namdar
D511,990 S 11/2005 Kejejian
D583,701 S * 12/2008 Epstein D11/90
2005/0160766 A1 7/2005 Kejejian

* cited by examiner

Primary Examiner — Ralf Seifert

(74) *Attorney, Agent, or Firm* — Christie, Parker & Hale, LLP

(57) **CLAIM**

The ornamental design for diamond cut, as shown and described.

DESCRIPTION

FIG. 1 is a perspective view of a diamond cut according to my invention;

FIG. 2 is a top view of the diamond cut of FIG. 1;

FIG. 3 is a short side view of the diamond cut of FIG. 1; and,

FIG. 4 is a long side view of the diamond cut of FIG. 1.

1 Claim, 2 Drawing Sheets

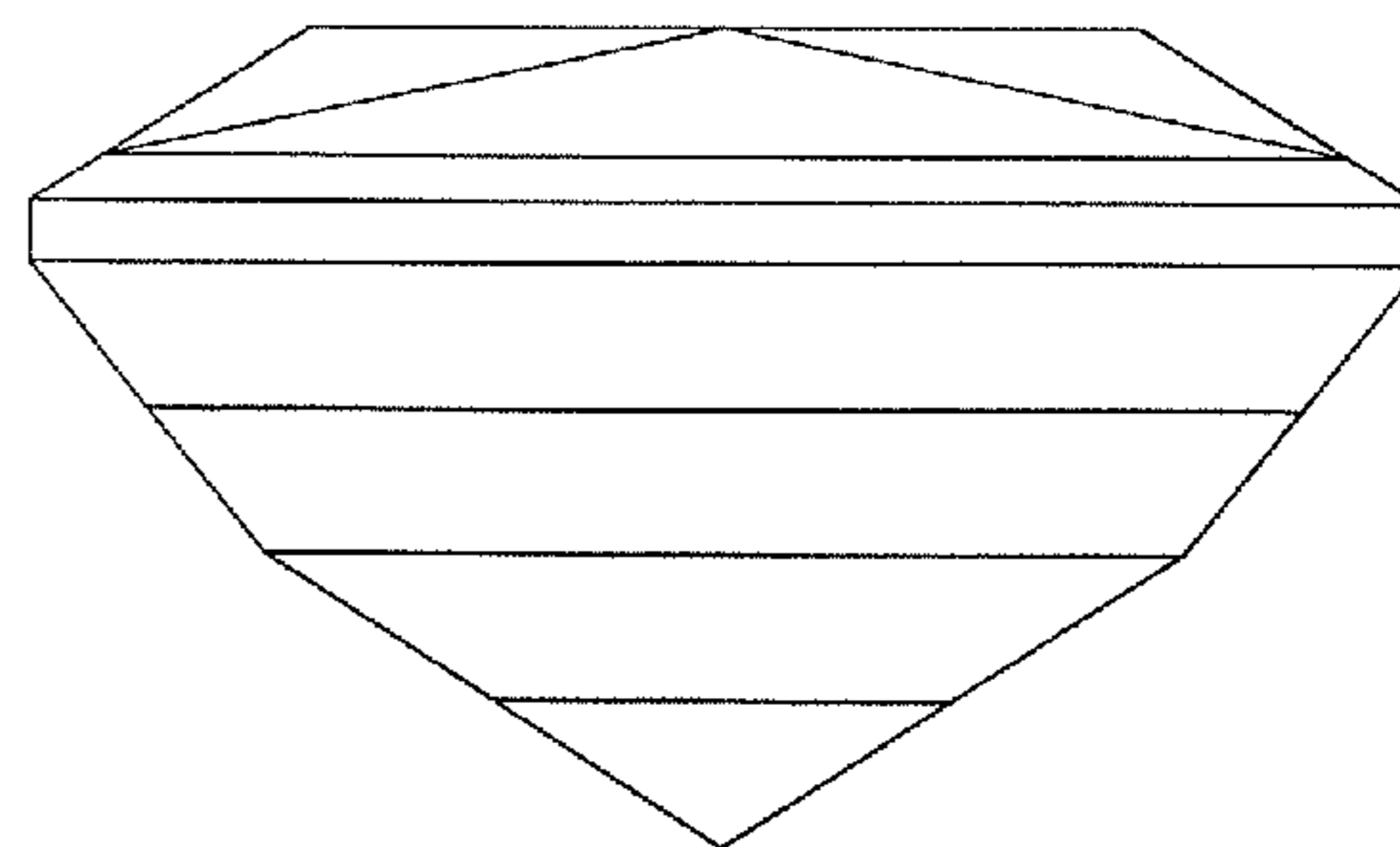
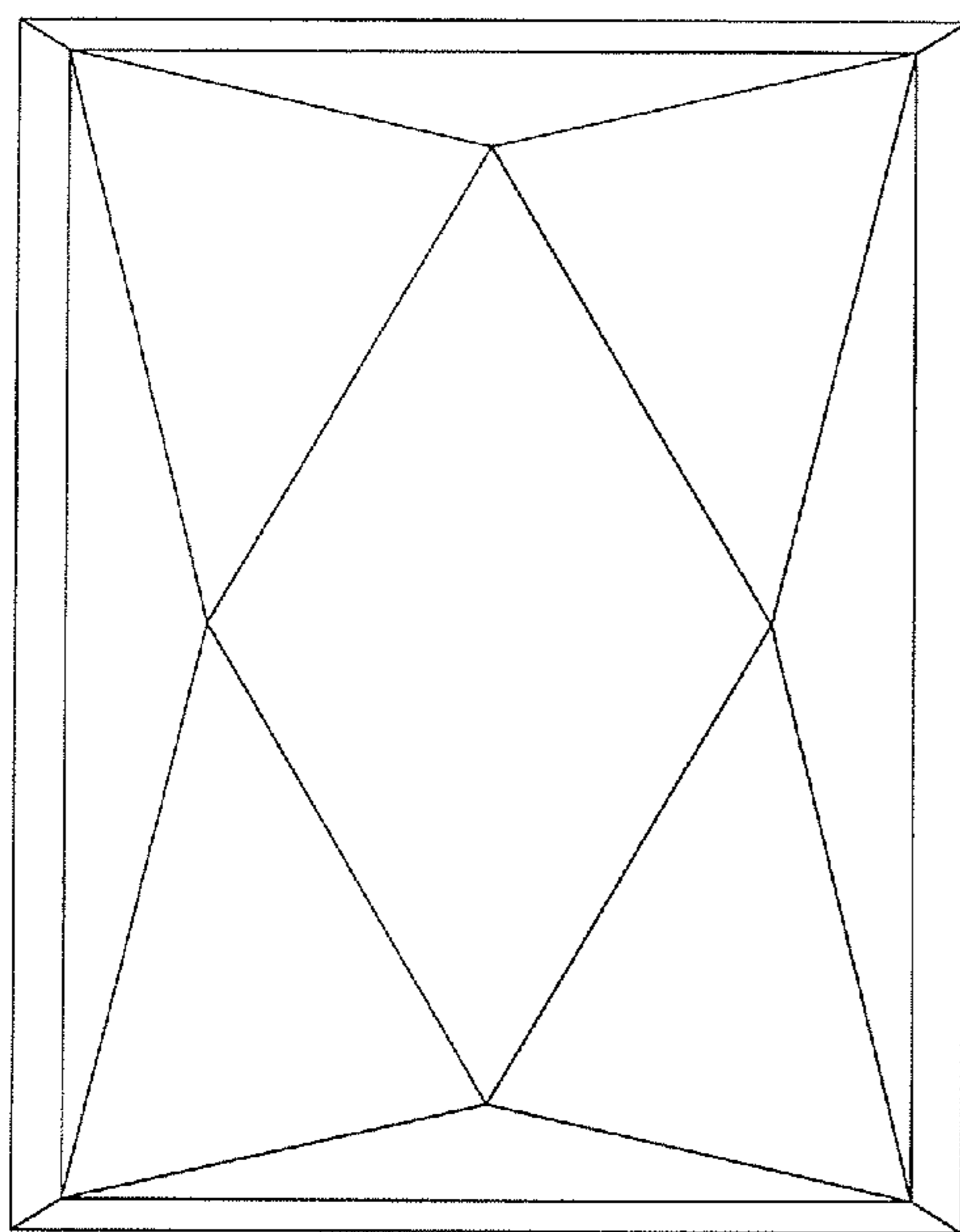


FIG. 1

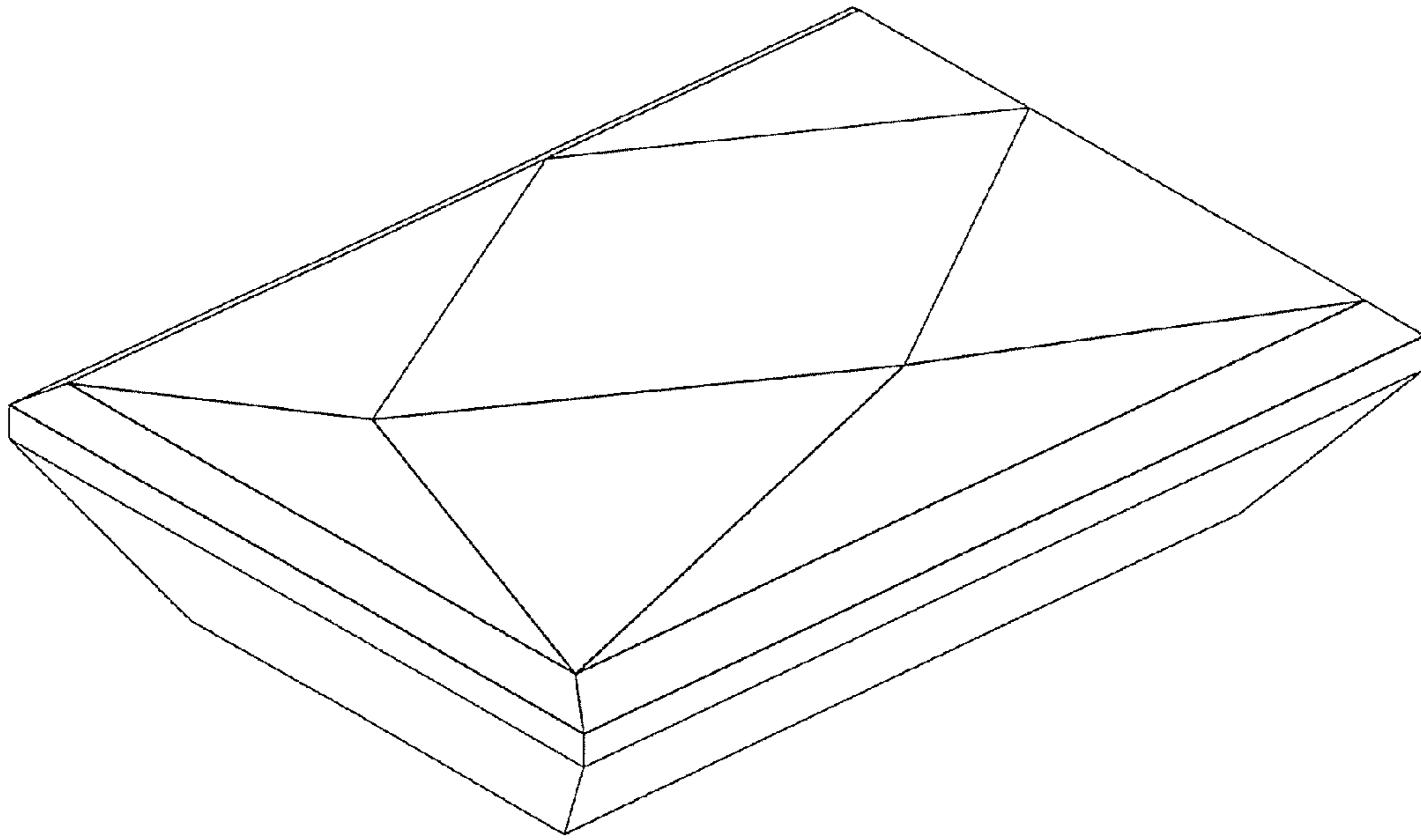


FIG. 4

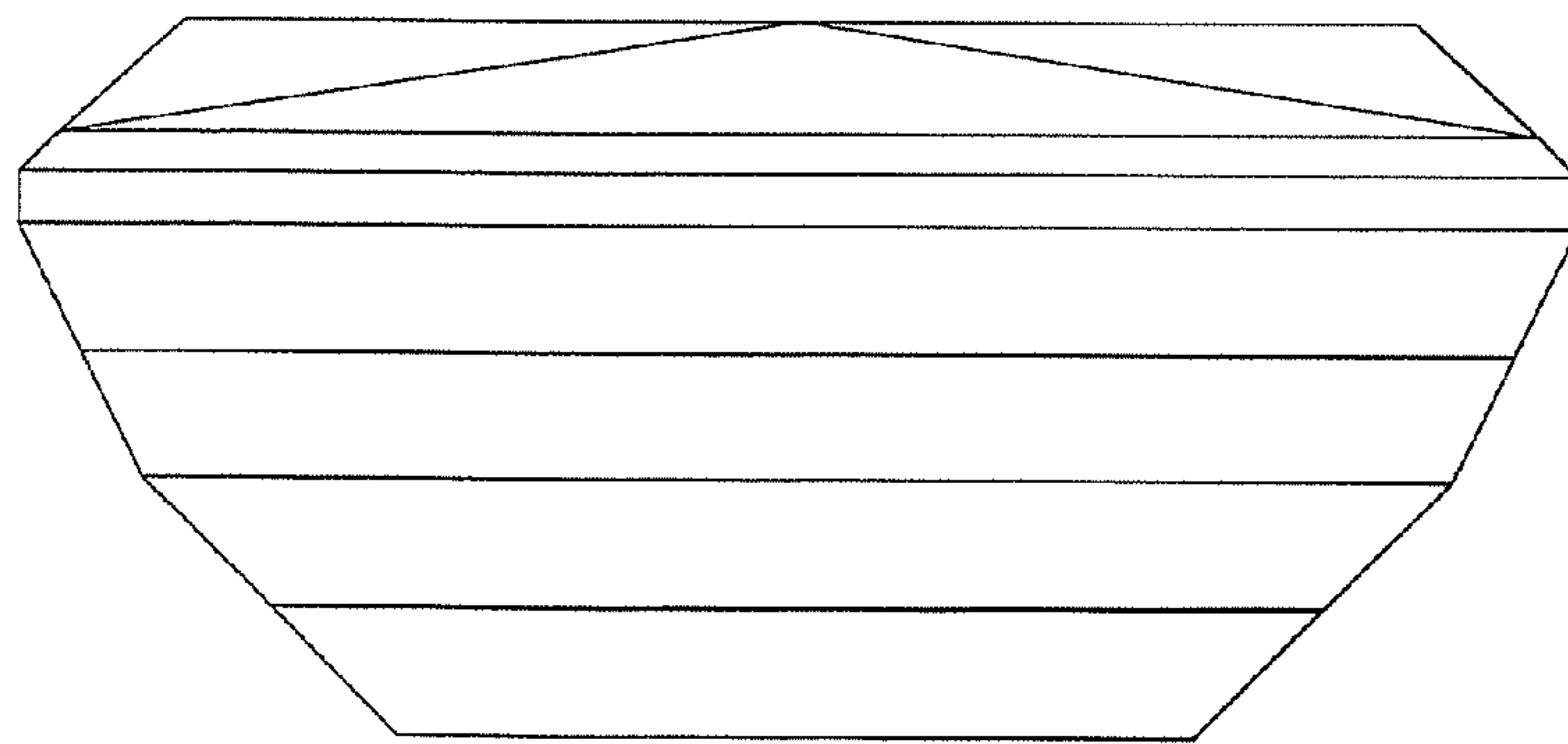


FIG. 2

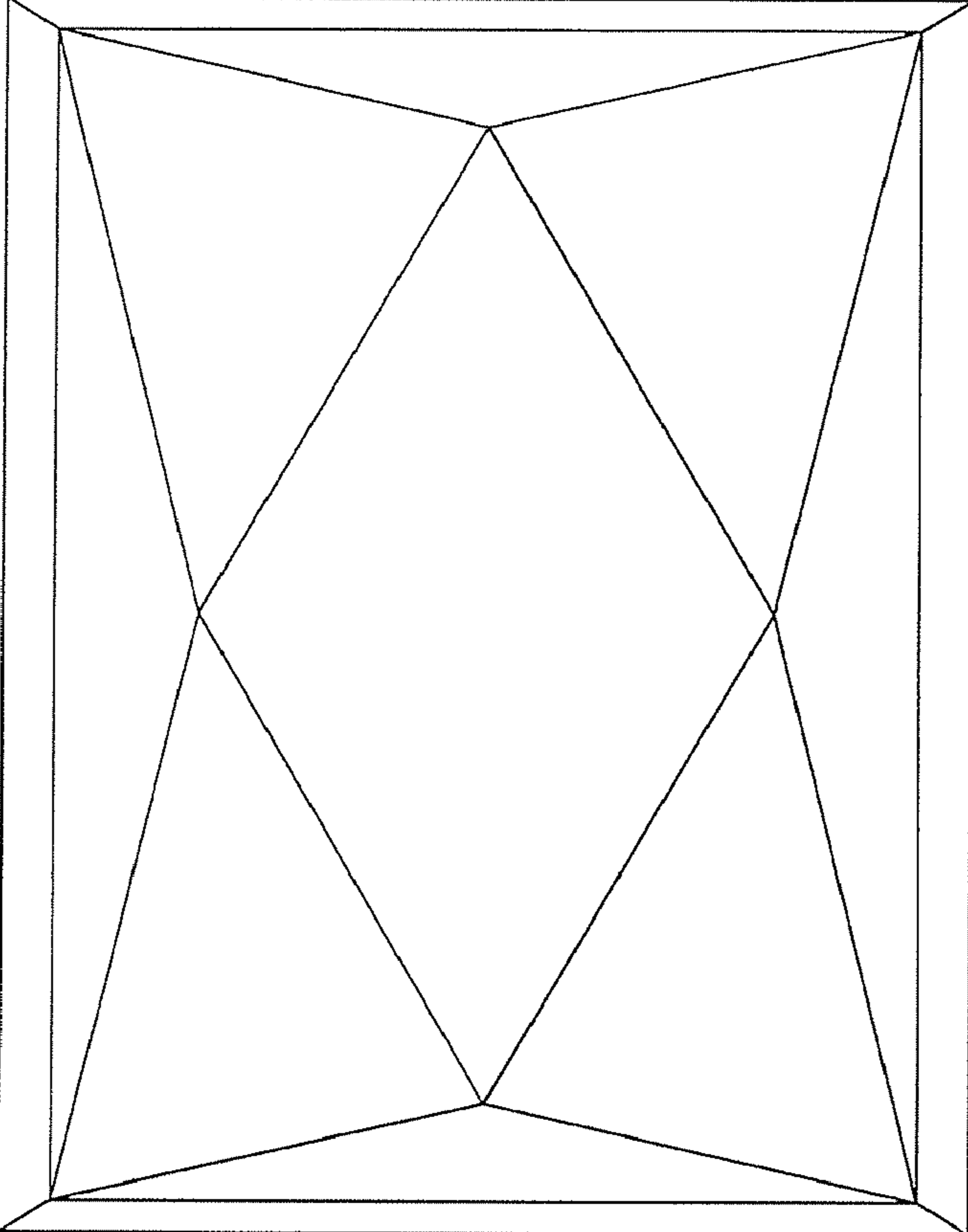


FIG. 3

