

US00D662436S

(12) **United States Design Patent**
Kalbach

(10) **Patent No.:** **US D662,436 S**
(45) **Date of Patent:** **** Jun. 26, 2012**

(54) **LANYARD CONNECTOR**
(75) Inventor: **Edward Van Lee Kalbach**, Nibley, UT (US)
(73) Assignee: **EK Ekcessories**, Nibley, UT (US)
(**) Term: **14 Years**
(21) Appl. No.: **29/402,524**

D245,728 S 9/1977 Rials
4,133,604 A 1/1979 Fuller
4,156,574 A 5/1979 Boden
4,171,555 A 10/1979 Bakker et al.
D265,638 S 8/1982 Barr
D273,440 S 4/1984 Fulwiler
D278,369 S 4/1985 Pringle et al.
4,541,696 A 9/1985 Wnger et al.
D285,865 S 9/1986 Gamble
4,657,364 A 4/1987 Murrell
D291,894 S 9/1987 Weisenfeld et al.

(Continued)

(22) Filed: **Sep. 23, 2011**
(51) **LOC (9) Cl.** **11-01**
(52) **U.S. Cl.** **D11/3; D3/215**
(58) **Field of Classification Search** D11/1-25,
D11/79-90, 215, 200; D3/215, 327; 24/3,
24/3.3, 3.4; D16/339; 351/156-158
See application file for complete search history.

OTHER PUBLICATIONS

EK Ekcessories, Inc. Product Catalog Aug. 1993, pp. 16 and 17.

(Continued)

Primary Examiner — Cathron Brooks
Assistant Examiner — Melanie Pellegrini
(74) *Attorney, Agent, or Firm* — TraskBritt, P.C.

(56) **References Cited**

U.S. PATENT DOCUMENTS

452,830 A 5/1891 Bowie et al.
652,891 A 7/1900 Cochran
1,270,207 A 6/1918 Preston
1,509,781 A 9/1924 Roth
1,819,738 A 8/1931 Daniel
2,481,946 A 9/1949 Pendleton
2,539,922 A 1/1951 Nyberg
2,572,889 A 10/1951 Strykower
2,660,092 A 11/1953 Bloom
2,704,961 A 3/1955 Weil
2,775,804 A 1/1957 Ayoub
2,783,926 A 3/1957 Wise
2,947,456 A 8/1960 Seron
3,397,026 A 8/1968 Spina
3,450,467 A 6/1969 Phillips
D216,075 S 11/1969 D'Elia et al.
D222,150 S 10/1971 McCarty
3,874,776 A 4/1975 Seron
3,879,804 A 4/1975 Lawrence
D237,845 S 12/1975 Saji
3,927,808 A 12/1975 Steen

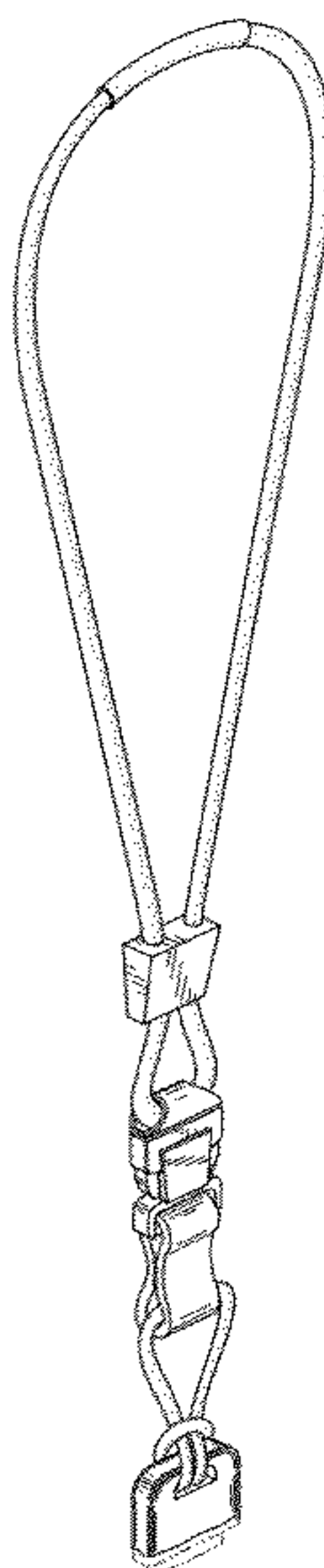
(57) **CLAIM**

The ornamental design for a lanyard connector, as shown and described.

DESCRIPTION

FIG. 1 is a perspective view of a lanyard connector showing my new design;
FIG. 2 is a front view of the lanyard connector shown in FIG. 1;
FIG. 3 is a rear view of the lanyard connector shown in FIG. 1;
FIG. 4 is a first side view of the lanyard connector shown in FIG. 1; and,
FIG. 5 is a second side view of the lanyard connector shown in FIG. 1.
The broken lines shown in the drawings represent portions of the lanyard connector that form no part of the claimed design.

1 Claim, 3 Drawing Sheets



U.S. PATENT DOCUMENTS

4,696,556 A 9/1987 Perry, III
D292,543 S 11/1987 Smith
D292,750 S 11/1987 Smith
D309,619 S 7/1990 Kalbach
D310,305 S 9/1990 Scognamillo et al.
D310,448 S 9/1990 Scognamillo et al.
4,976,531 A 12/1990 Kahaney
4,978,210 A 12/1990 Lundbeck
5,002,381 A 3/1991 Murrell
5,015,085 A 5/1991 May
5,027,477 A 7/1991 Seron
5,092,668 A 3/1992 Welch et al.
D328,186 S 7/1992 Hanke
D328,908 S 8/1992 Kalbach
5,151,778 A 9/1992 Conley
5,157,425 A 10/1992 Liu
5,215,237 A 6/1993 Wu
5,369,452 A 11/1994 Williams
D354,759 S 1/1995 Wolff
D354,760 S 1/1995 Wolff
5,414,903 A 5/1995 Porteous
D366,007 S * 1/1996 Colpo D11/87
5,575,042 A 11/1996 Kalbach
5,582,337 A 12/1996 McPherson et al.
D377,562 S 1/1997 Wolfram
D382,503 S 8/1997 Kalbach
5,654,787 A 8/1997 Barison
D385,415 S 10/1997 Turbide
D386,310 S 11/1997 Smith
D386,610 S * 11/1997 Wright D3/207
D392,583 S 3/1998 Hoffman
5,842,256 A 12/1998 Anscher
5,860,191 A 1/1999 Sieger
D416,038 S 11/1999 Kalbach
6,000,795 A 12/1999 Van Rysselberghe
D418,774 S 1/2000 Kalbach
D423,783 S 5/2000 Steurer
6,092,897 A 7/2000 Smerdon, Jr.
6,182,334 B1 2/2001 Davancens
D446,109 S * 8/2001 Kalbach D8/367
D462,513 S 9/2002 Halzhaus et al.
D462,523 S 9/2002 Kalbach
D467,416 S 12/2002 Kalbach
D477,709 S * 7/2003 Natividad D3/218
6,752,305 B2 * 6/2004 Shattuck 224/603

D532,201 S 11/2006 Esch
D536,364 S 2/2007 Kalbach
D539,697 S 4/2007 Mackay
D541,190 S 4/2007 Plzak
D541,523 S 5/2007 Zoullas et al.
D544,400 S 6/2007 Yoshiguchi
D557,008 S * 12/2007 Stiller D3/207
D567,704 S * 4/2008 Martin D11/87
D601,916 S * 10/2009 Moss D11/87
D619,495 S 7/2010 Herman
D621,606 S 8/2010 Marquardt
D629,331 S 12/2010 Kalbach
D634,232 S 3/2011 Kelly et al.
D638,330 S * 5/2011 Fahrendorff et al. D11/200
D644,139 S 8/2011 Kalbach

OTHER PUBLICATIONS

“EK Ekcessories, Inc. Product Catalog” Aug. 1994, pp. 8 and 9.
“Shockers Eyewear Retainers & Sports Accessories Catalog,” 1997, Portland, Oregon.
“Shockers Eyewear Retainers & Sports Accessories Catalog,” 1989-1999, Newberg, Oregon.
“SnugZ USA Catalog” Jan. 1, 1997.
“SnugZ USA Catalog” Jan. 1, 2000.
“J.A.M. Plastics, Inc. Catalog” Oct. 1, 1996, Anaheim California.
CIPI—Products—Neckwear & Wristwear—Lanyards, Feb. 13, 1998, Website.
CIPI—Products—Neckwear & Wristwear—Lanyards, 1997.
CIPI Product Line website visited Dec. 27, 2001.
Neon Lanyards . . . Braided nylon lanyards with . . . , 1995-98, Website.
CWA Lanyards, p. 1, Website, at least as early as Feb. 1999.
IRIS Catalog, Lanyards, at least as early as Feb. 1999.
The Logo Shop Catalog, Logo Watch Co., p. 2, 1997, Logan Utah.
Shockers, 1997, Dealer Price List.
“EK Ekcessories Catalog” Aug. 1997.
“EK Ekcessories Catalog” Jan. 1998.
“EK Ekcessories Pamphlet” Industrial and Security, at least as early as Mar. 2002.
“EK Ekcessories Catalog” ASI Promotion Products, Jan. 1999.
“EK Keycessories Catalog” at least as early as Mar. 2002.
“XTROS USA” products flyer. , at least as early as Mar. 2002.

* cited by examiner

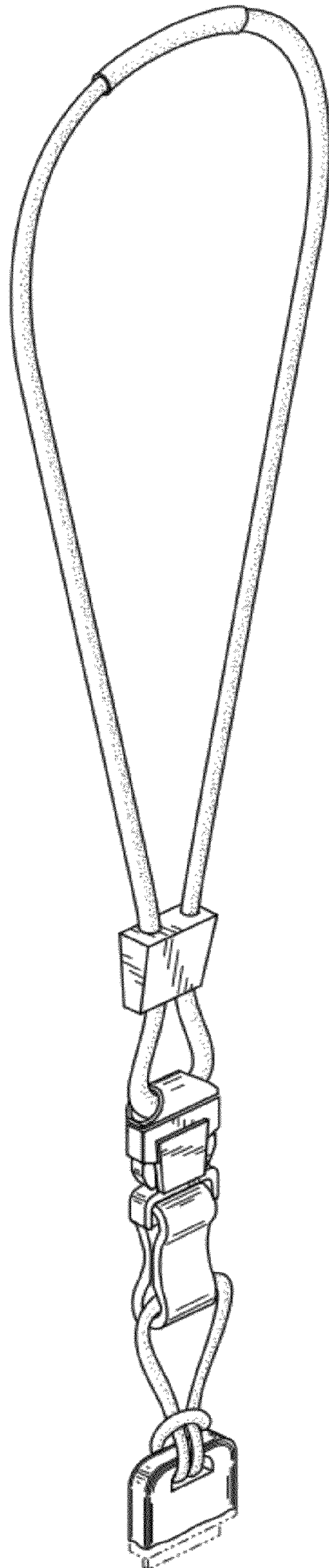


FIG. 1

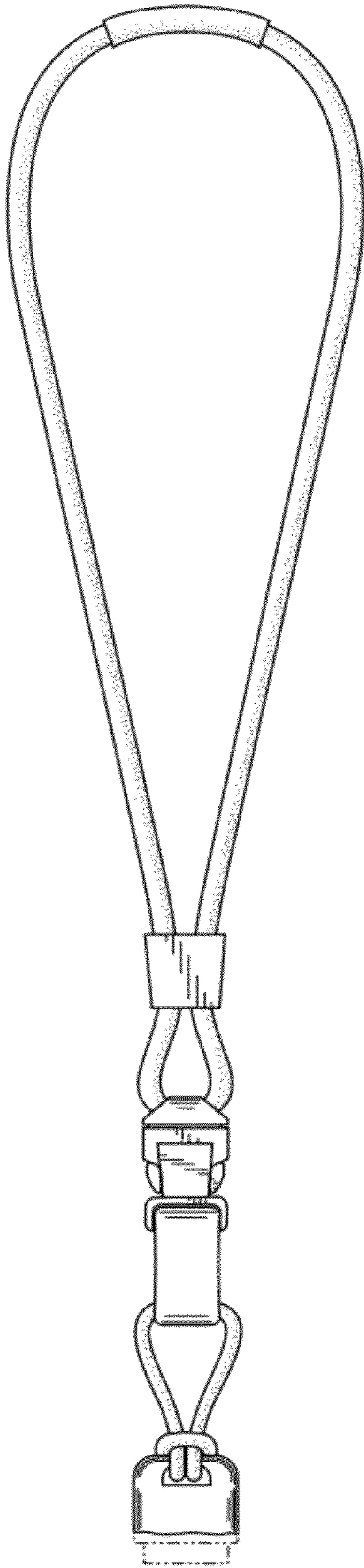


FIG. 2

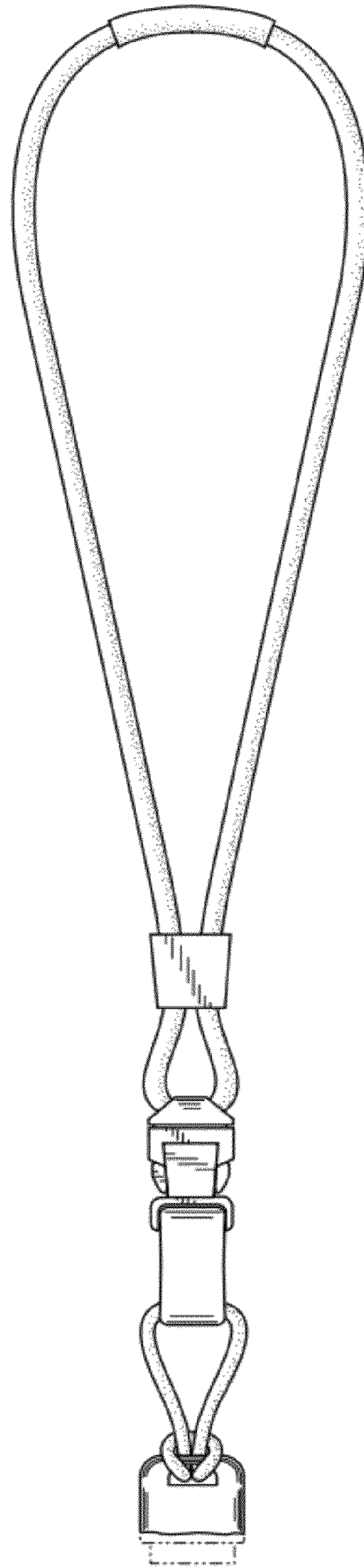


FIG. 3

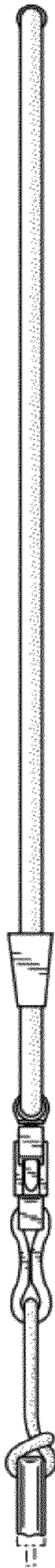


FIG. 4

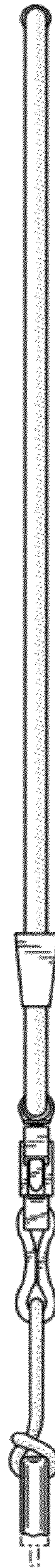


FIG. 5