



US00D662435S

(12) **United States Design Patent**
Kalbach

(10) **Patent No.:** **US D662,435 S**
(45) **Date of Patent:** **** Jun. 26, 2012**

(54) **LANYARD CONNECTOR**

D245,728 S 9/1977 Rials
(Continued)

(75) Inventor: **Edward Van Lee Kalbach**, Nibley, UT
(US)

OTHER PUBLICATIONS

(73) Assignee: **EK Ekcessories**, Nibley, UT (US)

EK Ekcessories, Inc. Product Catalog Aug. 1993, pp. 16 and 17.
(Continued)

(**) Term: **14 Years**

Primary Examiner — Cathron Brooks
Assistant Examiner — Melanie Pellegrini
(74) *Attorney, Agent, or Firm* — TraskBritt, P.C.

(21) Appl. No.: **29/402,520**

(22) Filed: **Sep. 23, 2011**

(57) **CLAIM**
The ornamental designs for a lanyard connector, as shown and described.

(51) **LOC (9) Cl.** **11-01**

(52) **U.S. Cl.** **D11/3; D3/215**

(58) **Field of Classification Search** D11/1-25,
D11/79-90, 215, 200; D3/215, 327; 24/3,
24/3.3, 3.4; D16/339; 351/156-158
See application file for complete search history.

DESCRIPTION

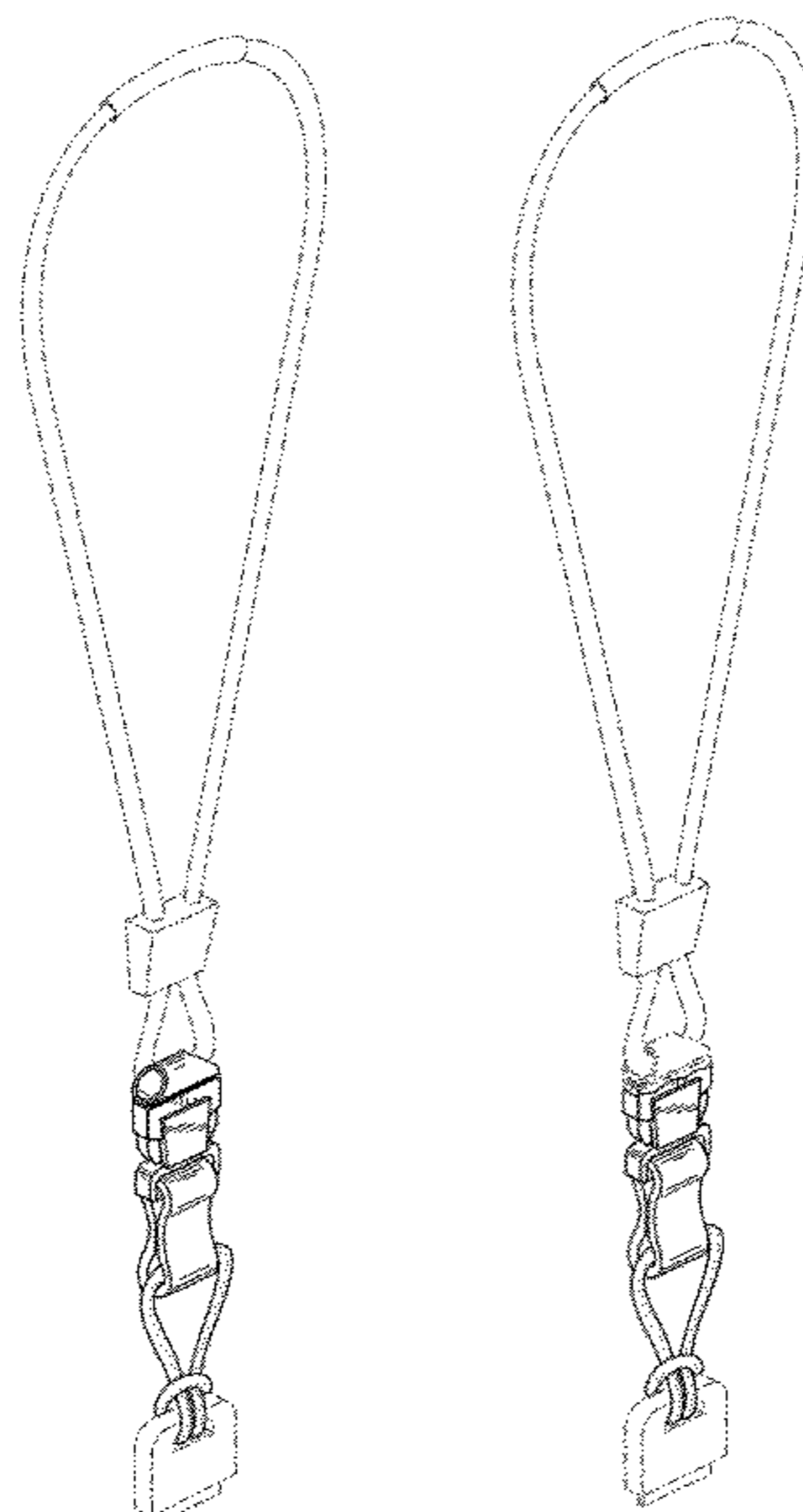
(56) **References Cited**

U.S. PATENT DOCUMENTS

452,830	A	5/1891	Bowie et al.
652,891	A	7/1900	Cochran
1,270,207	A	6/1918	Preston
1,509,781	A	9/1924	Roth
1,819,738	A	8/1931	Daniel
2,481,946	A	9/1949	Pendleton
2,539,922	A	1/1951	Nyberg
2,572,889	A	10/1951	Strykower
2,660,092	A	11/1953	Bloom
2,704,961	A	3/1955	Weil
2,775,804	A	1/1957	Ayoub
2,783,926	A	3/1957	Wise
2,947,456	A	8/1960	Seron
3,397,026	A	8/1968	Spina
3,450,467	A	6/1969	Phillips
D216,075	S	11/1969	D'Elia et al.
D222,150	S	10/1971	McCarty
3,874,776	A	4/1975	Seron
3,879,804	A	4/1975	Lawrence
D237,845	S	12/1975	Saji
3,927,808	A	12/1975	Steen

FIG. 1 is a perspective view of a lanyard connector showing my new design;
FIG. 2 is a front view of the lanyard connector shown in FIG. 1;
FIG. 3 is a rear view of the lanyard connector shown in FIG. 1;
FIG. 4 is a first side view of the lanyard connector shown in FIG. 1;
FIG. 5 is a second side view of the lanyard connector shown in FIG. 1;
FIG. 6 is a perspective view of a second embodiment of a lanyard connector showing my new design;
FIG. 7 is a front view of the lanyard connector shown in FIG. 6;
FIG. 8 is a rear view of the lanyard connector shown in FIG. 6;
FIG. 9 is a first side view of the lanyard connector shown in FIG. 6; and,
FIG. 10 is a second side view of the lanyard connector shown in FIG. 6.
The broken lines shown in the drawings represent portions of the lanyard connector and environmental matter that form no part of the claimed design.

1 Claim, 6 Drawing Sheets



U.S. PATENT DOCUMENTS

4,133,604 A 1/1979 Fuller
 4,156,574 A 5/1979 Boden
 4,171,555 A 10/1979 Bakker et al.
 D265,638 S 8/1982 Barr
 D273,440 S 4/1984 Fulwiler
 D278,369 S 4/1985 Pringle et al.
 4,541,696 A 9/1985 Winger et al.
 D285,865 S 9/1986 Gamble
 4,657,364 A 4/1987 Murrell
 D291,894 S 9/1987 Weisenfeld et al.
 4,696,556 A 9/1987 Perry, III
 D292,543 S 11/1987 Smith
 D292,750 S 11/1987 Smith
 D309,619 S 7/1990 Kalbach
 D310,305 S 9/1990 Scognamillo et al.
 D310,448 S 9/1990 Scognamillo et al.
 4,976,531 A 12/1990 Kahaney
 4,978,210 A 12/1990 Lundbeck
 5,002,381 A 3/1991 Murrell
 5,015,085 A 5/1991 May
 5,027,477 A 7/1991 Seron
 5,092,668 A 3/1992 Welch et al.
 D328,186 S 7/1992 Hanke
 D328,908 S 8/1992 Kalbach
 5,151,778 A 9/1992 Conley
 5,157,425 A 10/1992 Liu
 5,215,237 A 6/1993 Wu
 5,369,452 A 11/1994 Williams
 D354,759 S 1/1995 Wolff
 D354,760 S 1/1995 Wolff
 5,414,903 A 5/1995 Porteous
 D366,007 S * 1/1996 Colpo D11/87
 5,575,042 A 11/1996 Kalbach
 5,582,337 A 12/1996 McPherson et al.
 D377,562 S 1/1997 Wolfram
 D382,503 S 8/1997 Kalbach
 5,654,787 A 8/1997 Barison
 D385,415 S 10/1997 Turbide
 D386,310 S 11/1997 Smith
 D392,583 S 3/1998 Hoffman
 5,842,256 A 12/1998 Anscher
 5,860,191 A 1/1999 Sieger
 D416,038 S 11/1999 Kalbach
 6,000,795 A 12/1999 Van Rysselberghe
 D418,774 S 1/2000 Kalbach
 D423,783 S 5/2000 Steurer
 6,092,897 A 7/2000 Smerdon, Jr.
 6,182,334 B1 2/2001 Davancens

D446,109 S * 8/2001 Kalbach D8/367
 D462,513 S 9/2002 Holzhaus et al.
 D462,523 S 9/2002 Kalbach
 D467,416 S 12/2002 Kalbach
 D477,709 S * 7/2003 Natividad D3/218
 6,752,305 B2 * 6/2004 Shattuck 224/603
 D532,201 S 11/2006 Esch
 D536,364 S 2/2007 Kalbach
 D539,697 S 4/2007 Mackay
 D541,190 S 4/2007 Plzak
 D541,523 S 5/2007 Zoullas et al.
 D544,400 S 6/2007 Yoshiguchi
 D567,704 S * 4/2008 Martin D11/87
 D601,916 S * 10/2009 Moss D11/87
 D619,495 S 7/2010 Herman
 D621,606 S 8/2010 Marquardt
 D629,331 S 12/2010 Kalbach
 D634,232 S 3/2011 Kelly et al.
 D644,139 S 8/2011 Kalbach

OTHER PUBLICATIONS

“EK Ekcessories, Inc. Product Catalog” Aug. 1994, pp. 8 and 9.
 “Shockers Eyewear Retainers & Sports Accessories Catalog,” 1997, Portland, Oregon.
 “Shockers Eyewear Retainers & Sports Accessories Catalog,” 1989-1999, Newberg, Oregon.
 “SnugZ USA Catalog” Jan. 1, 1997.
 “SnugZ USA Catalog” Jan. 1, 2000.
 “J.A.M. Plastics, Inc. Catalog” Oct. 1, 1996, Anaheim California.
 CIPI—Products—Neckwear & Wristwear—Lanyards, Feb. 13, 1998, Website.
 CIPI—Products—Neckwear & Wristwear—Lanyards, 1997.
 CIPI Product Line website visited Dec. 27, 2001.
 Neon Lanyards . . . Braided nylon lanyards with . . . , 1995-98, Website.
 CWA Lanyards, p. 1, Website, at least as early as Feb. 1999.
 IRIS Catalog, Lanyards, at least as early as Feb. 1999.
 The Logo Shop Catalog, Logo Watch Co., p. 2, 1997, Logan Utah.
 Shockers, 1997, Dealer Price List.
 “EK Ekcessories Catalog” Aug. 1997.
 “EK Ekcessories Catalog” Jan. 1998.
 “EK Ekcessories Pamphlet” Industrial and Security, at least as early as Mar. 2002.
 “EK Ekcessories Catalog” ASI Promotion Products, Jan. 1999.
 “EK Keycessories Catalog” at least as early as Mar. 2002.
 “XTROS USA” products flyer. , at least as early as Mar. 2002.

* cited by examiner

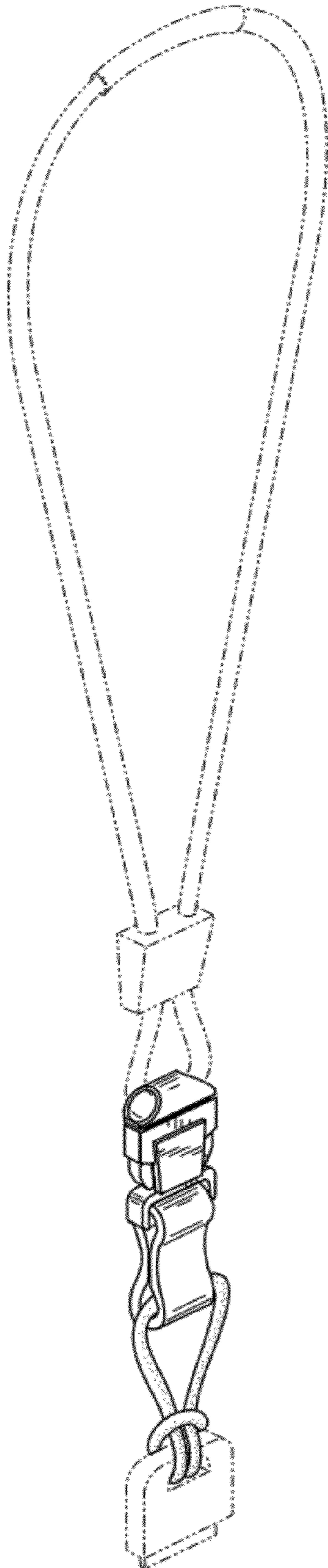


FIG. 1

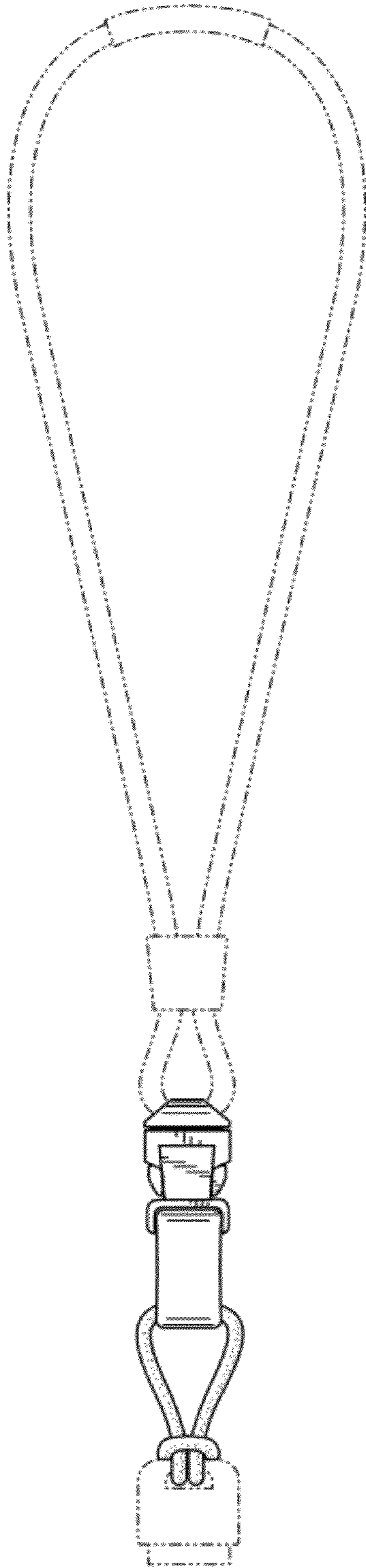


FIG. 2

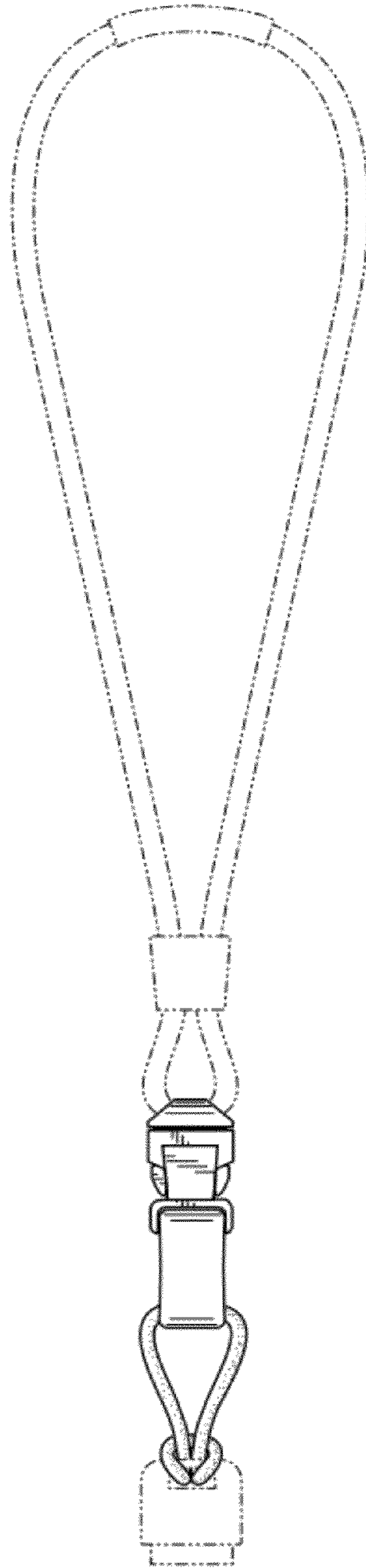


FIG. 3



FIG. 4

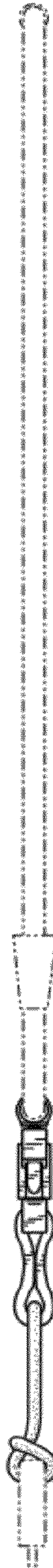


FIG. 5

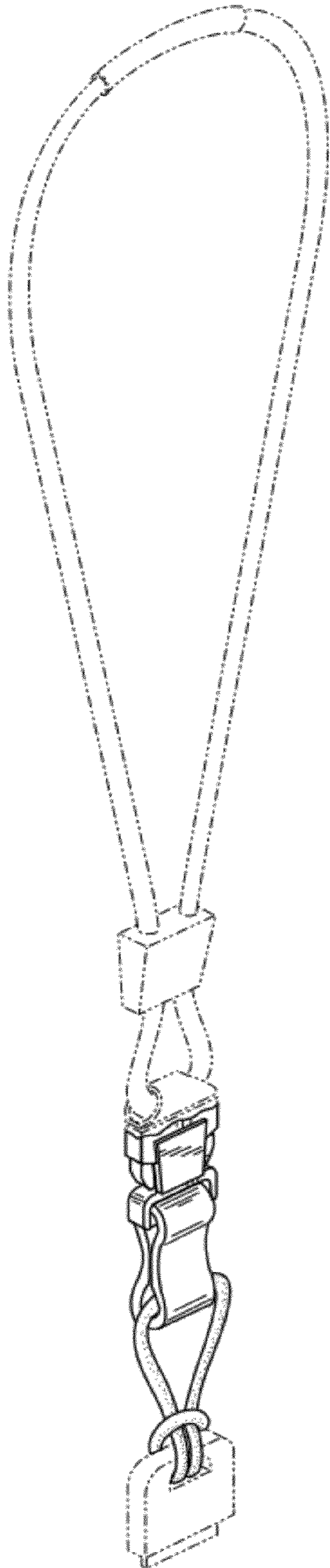


FIG. 6

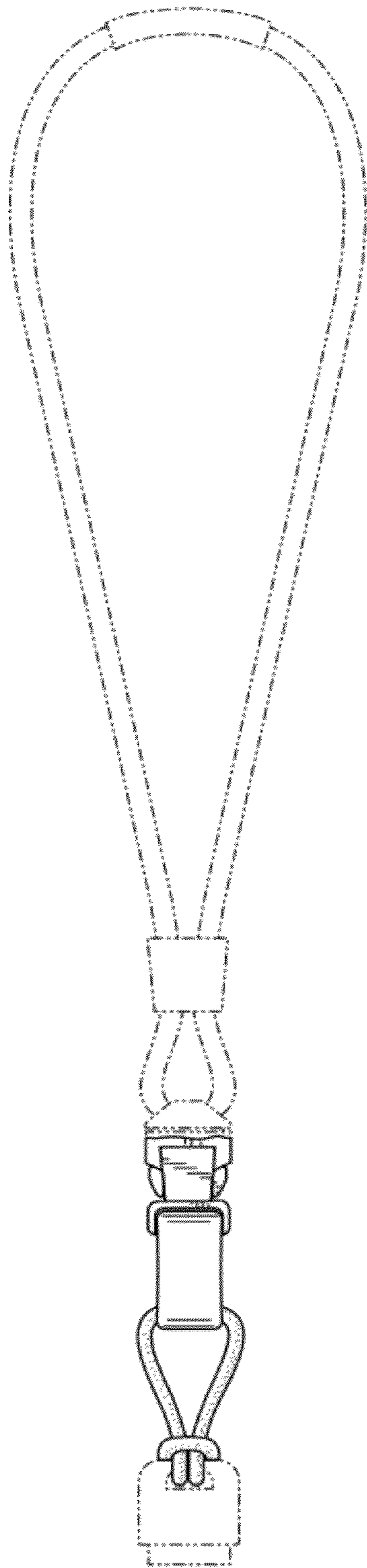


FIG. 7

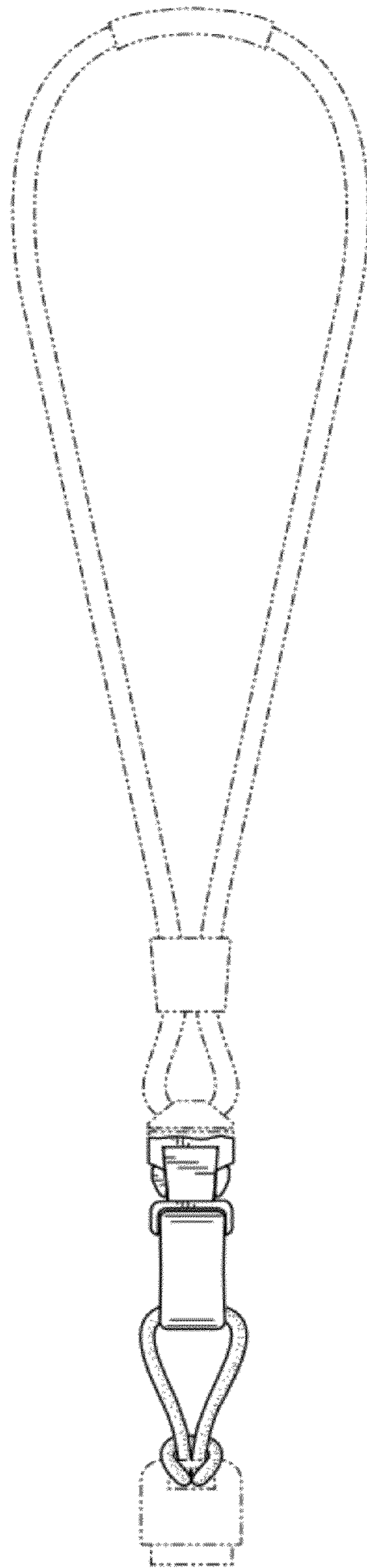


FIG. 8

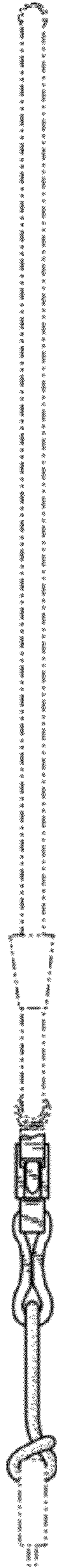


FIG. 9

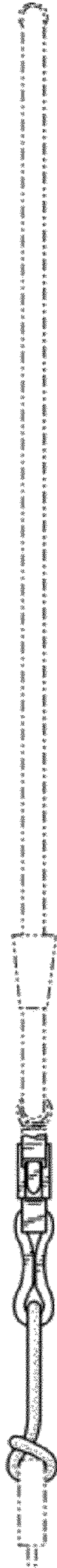


FIG. 10