



US00D662432S

(12) **United States Design Patent**
Leaders et al.

(10) **Patent No.:** **US D662,432 S**
(45) **Date of Patent:** **** Jun. 26, 2012**

(54) **FLOW METER**

(75) Inventors: **Jeffrey L. Leaders**, Mableton, GA (US);
Jeffrey D. Dugger, Atlanta, GA (US)

(73) Assignee: **Soneter, LLC**, Atlanta, GA (US)

(**) Term: **14 Years**

(21) Appl. No.: **29/386,194**

(22) Filed: **Feb. 25, 2011**

(51) **LOC (9) Cl.** **10-04**

(52) **U.S. Cl.** **D10/96**

(58) **Field of Classification Search** D10/96;
73/271, 273, 861, 861.12, 861.03, 861.52,
73/861.77, 861.78, 861.9, 2, 1.28, 1.34; 29/593;
137/1, 487.5; 702/46

See application file for complete search history.

(56) **References Cited**

U.S. PATENT DOCUMENTS

4,421,417	A	*	12/1983	McQuade	368/65
D282,448	S	*	2/1986	Hall	D10/96
4,700,579	A	*	10/1987	Hall	73/861.78
D516,441	S	*	3/2006	Iida et al.	D10/46
D562,168	S	*	2/2008	Johnson et al.	D10/96

D575,652	S	*	8/2008	Varini	D10/96
D621,733	S	*	8/2010	Fehrenbach et al.	D10/101
D625,636	S	*	10/2010	Fehrenbach et al.	D10/96
D633,401	S	*	3/2011	Cavanaugh et al.	D10/96
D640,579	S	*	6/2011	Olzak et al.	D10/67
2010/0096127	A1	*	4/2010	Jordy	166/269

* cited by examiner

Primary Examiner — Antoine D Davis

(74) *Attorney, Agent, or Firm* — Foley & Lardner LLP; John D. Lanza

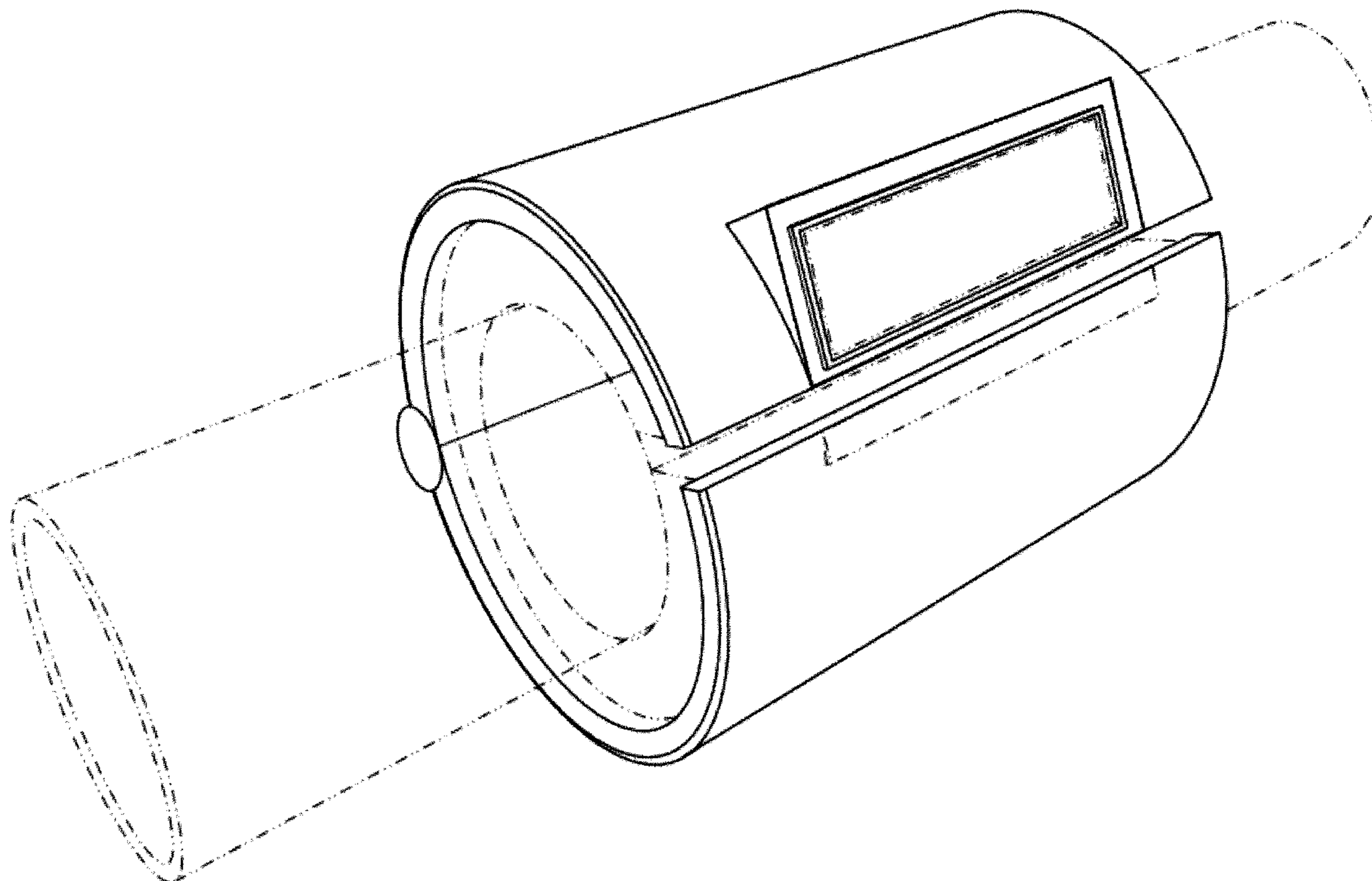
(57) **CLAIM**

The ornamental design for a flow meter, as shown and described.

DESCRIPTION

FIG. 1 depicts a perspective view of the flow meter. FIGS. 2 and 3 depict end views of the flow meter. FIG. 4 depicts a top view of the flow meter. FIG. 5 depicts a bottom view of the flow meter. FIG. 6 depicts a front view of the flow meter; and, FIG. 7 depicts a rear view of the flow meter. The broken lines of the figures are for illustrative purposes and form no part of the claimed design.

1 Claim, 7 Drawing Sheets



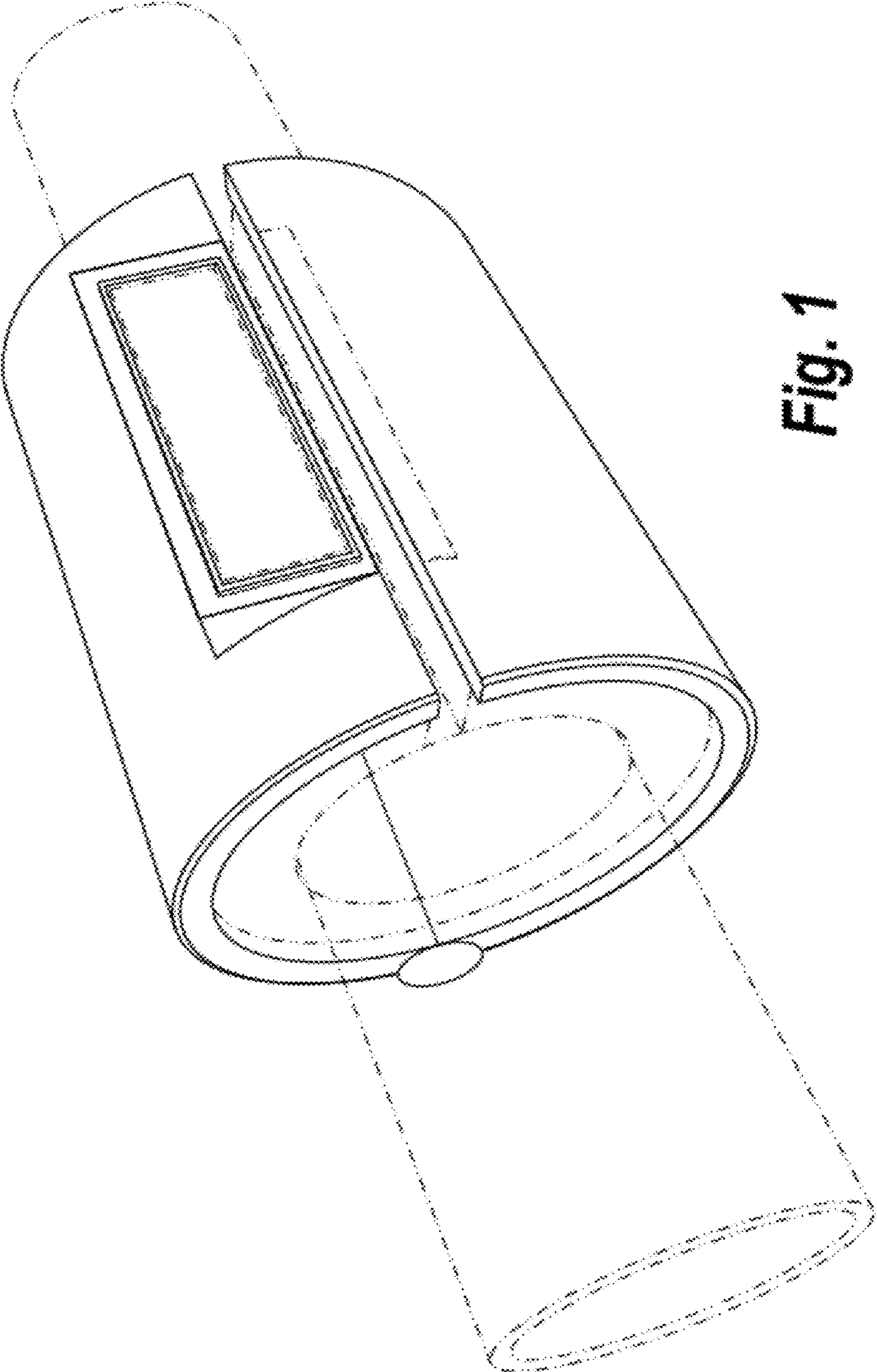


Fig. 1

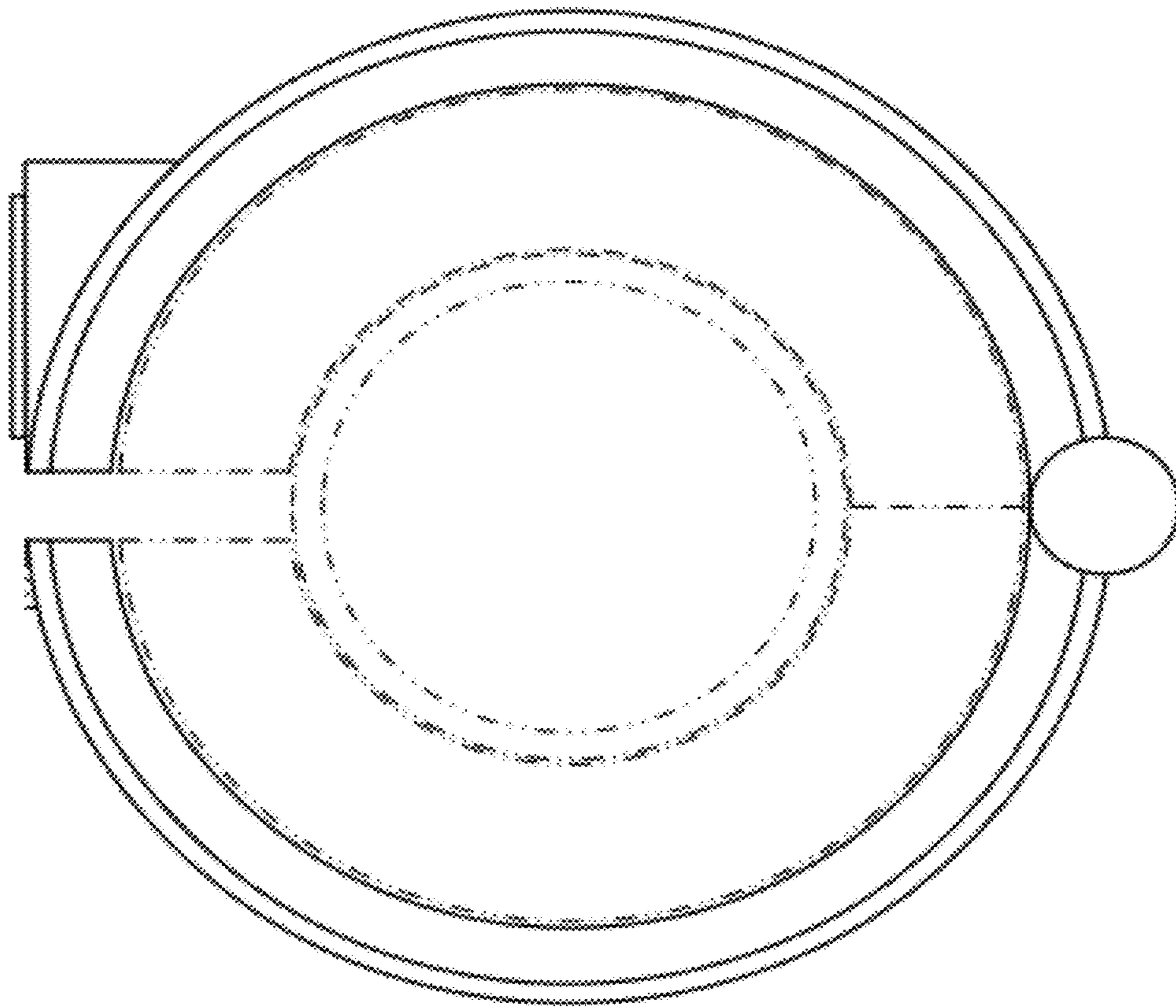


Fig. 2

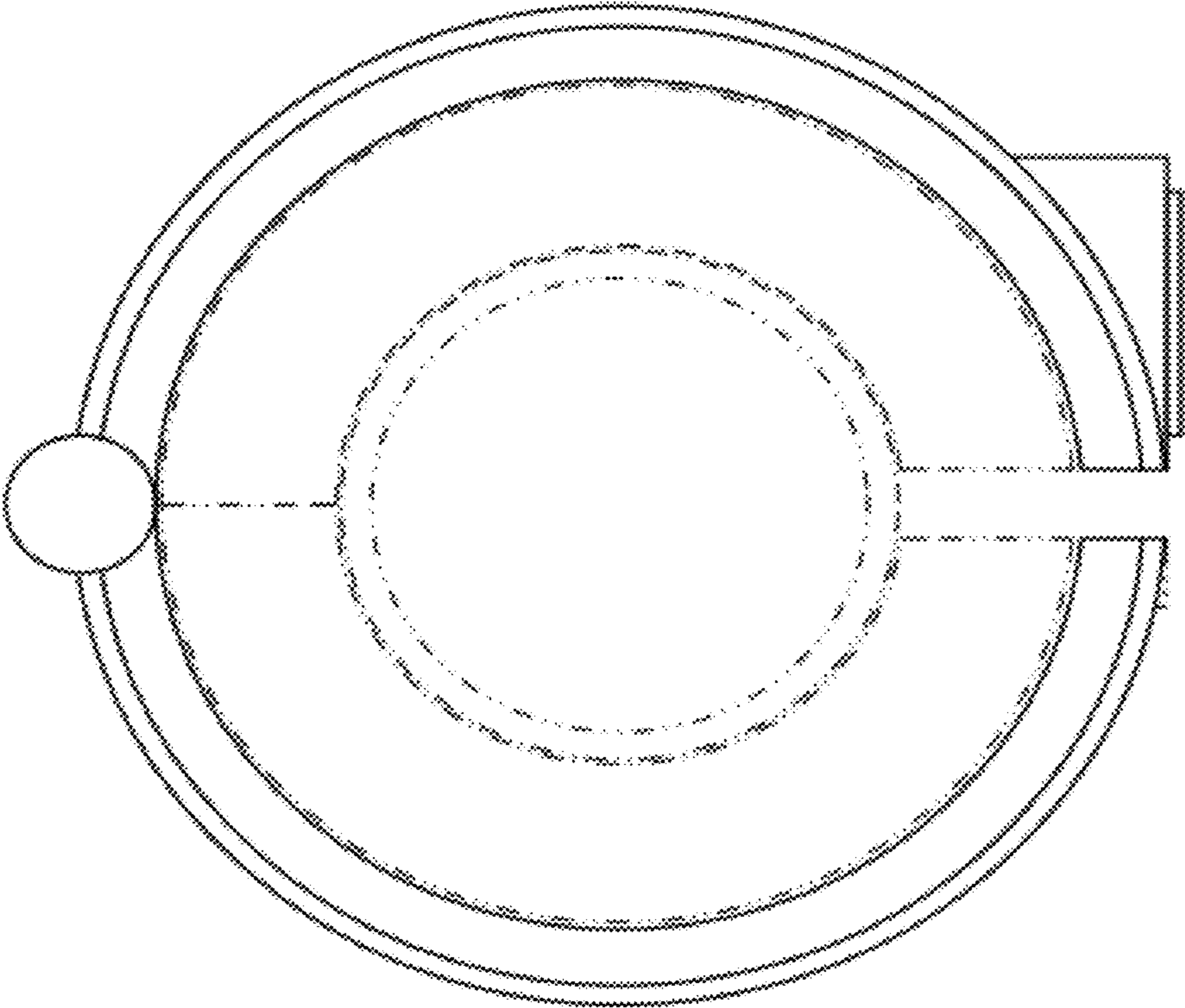


Fig. 3

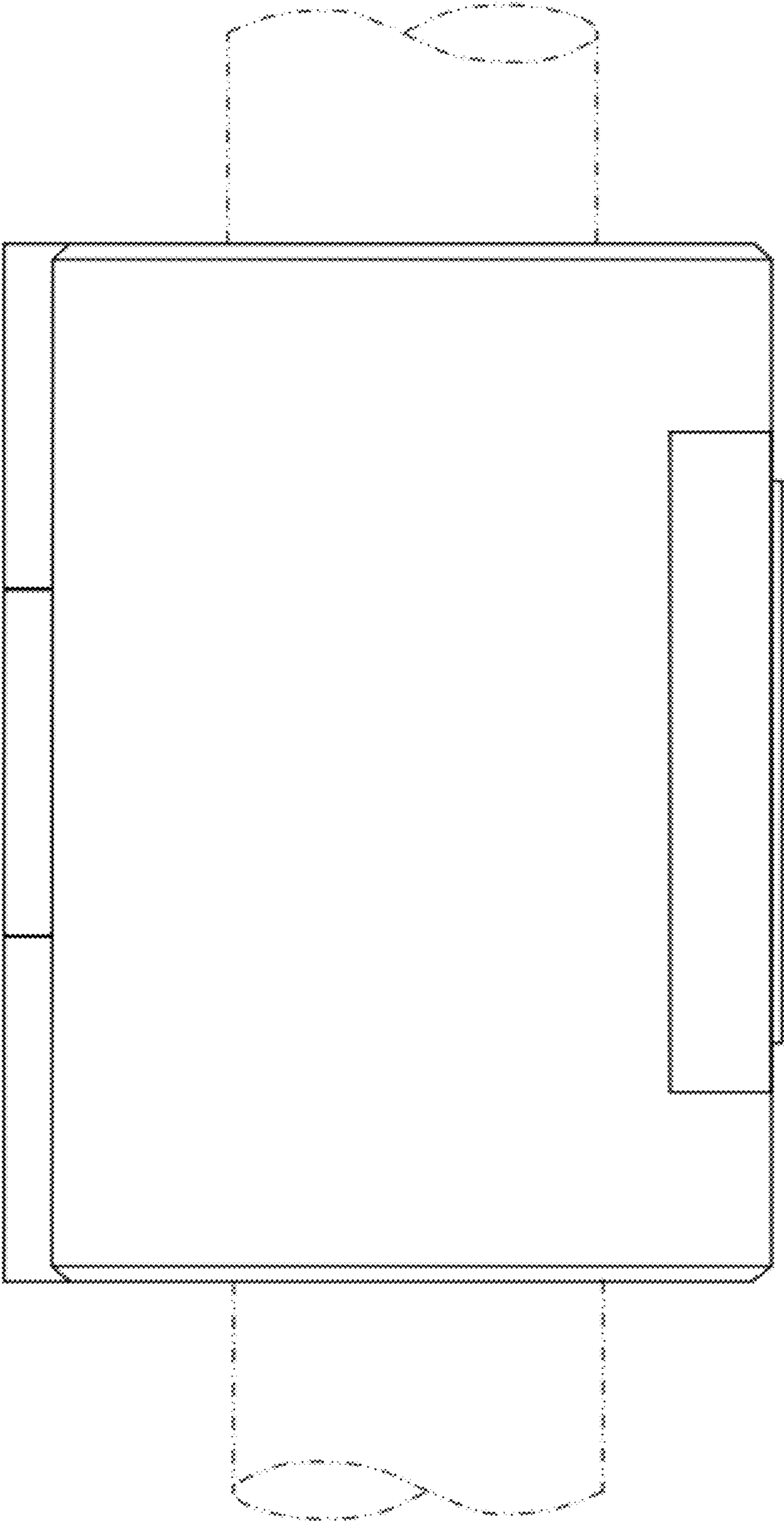


Fig. 4

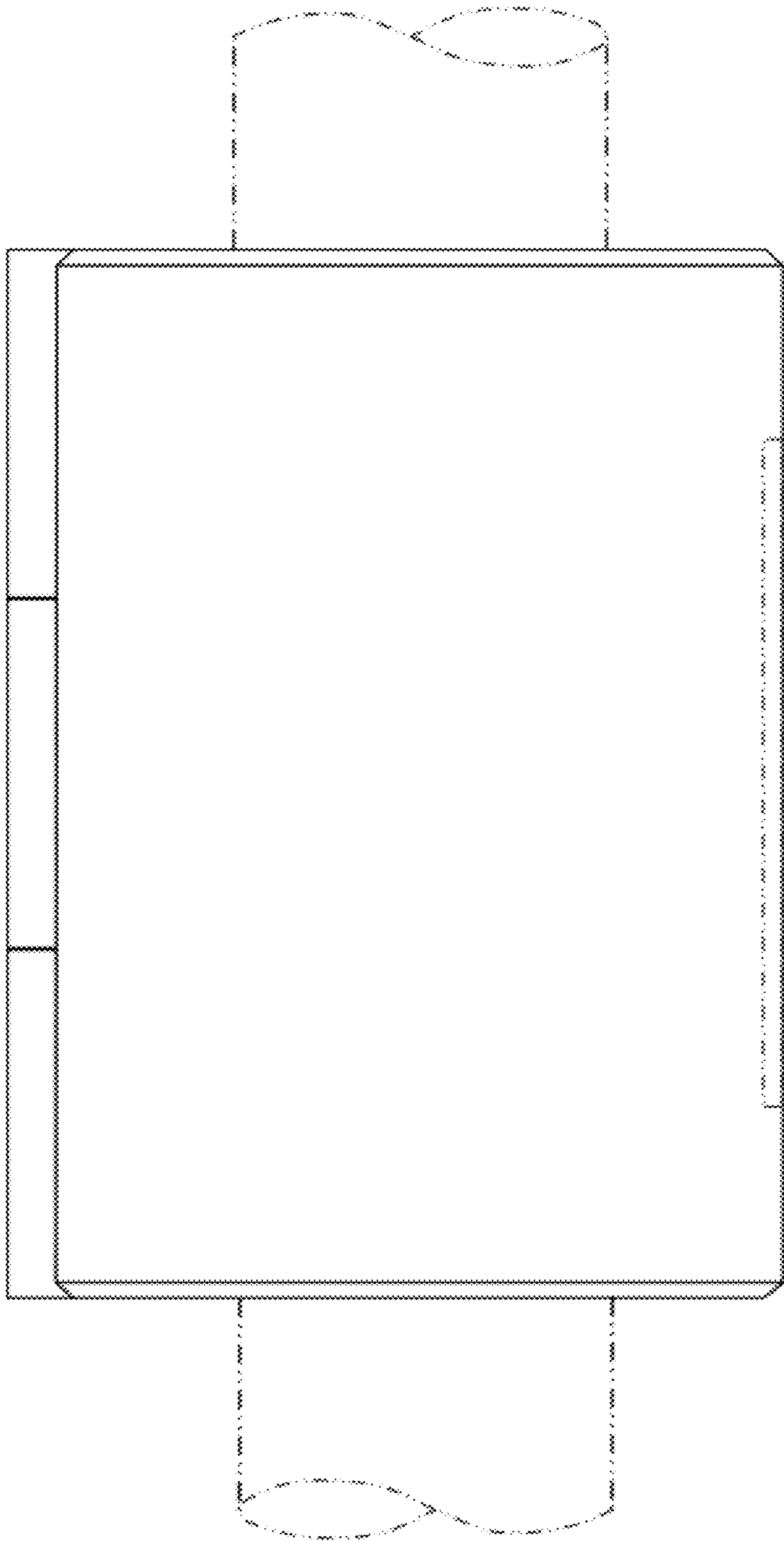


Fig. 5

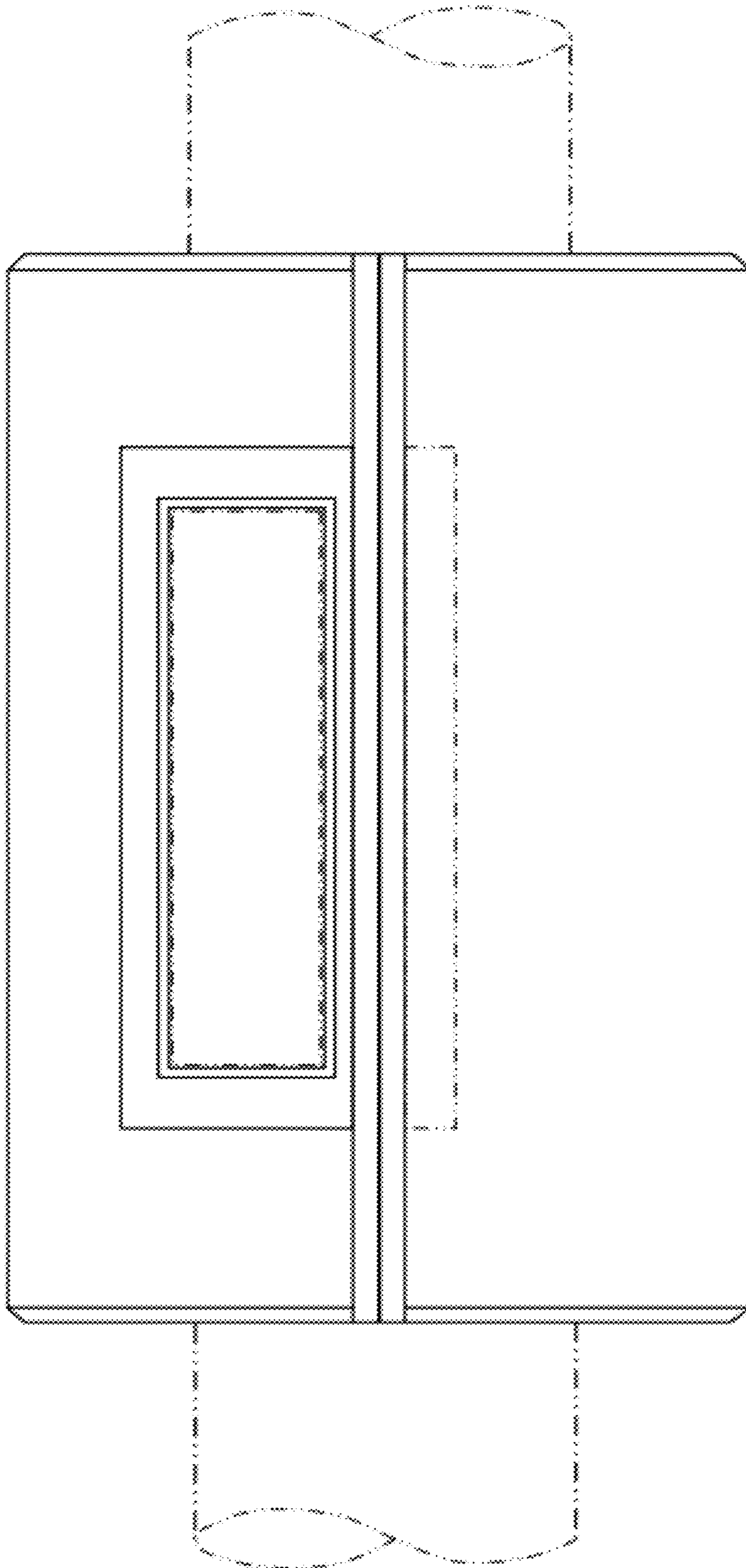


Fig. 6

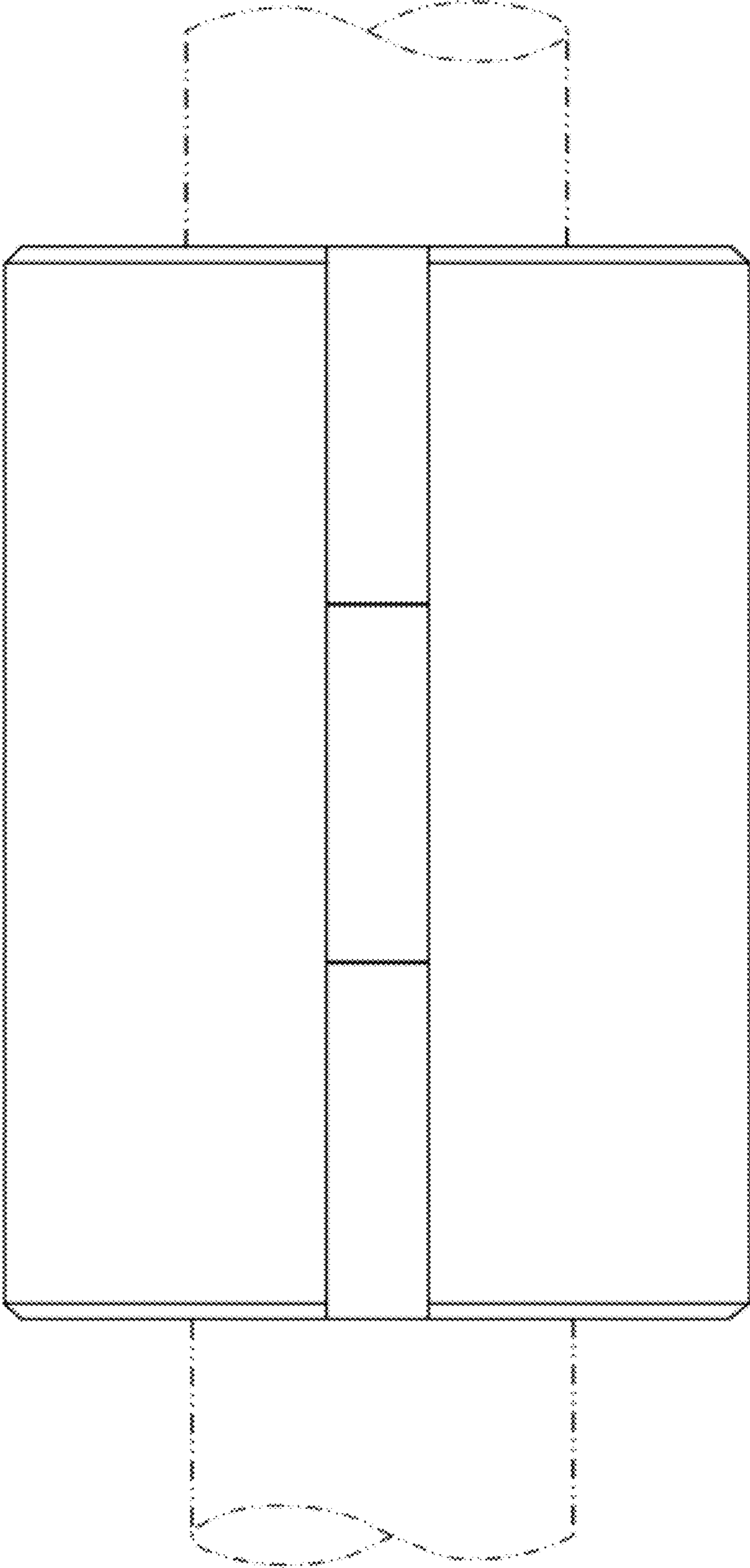


Fig. 7