



US00D662430S

(12) **United States Design Patent**  
**Hagmann**

(10) **Patent No.:** **US D662,430 S**

(45) **Date of Patent:** **\*\* Jun. 26, 2012**

(54) **CALIBRATION FIXTURE FOR CURRENT PROBES**

(76) Inventor: **Mark J. Hagmann**, West Valley City, UT (US)

(\*\*) Term: **14 Years**

(21) Appl. No.: **29/365,550**

(22) Filed: **Jul. 9, 2010**

(51) **LOC (9) Cl.** ..... **10-04**

(52) **U.S. Cl.** ..... **D10/80**

(58) **Field of Classification Search** ..... D10/80;  
73/1.38; 324/127; 356/71, 73, 300, 326,  
356/328, 419; 702/104, 188

See application file for complete search history.

(56) **References Cited**

U.S. PATENT DOCUMENTS

6,456,061 B1 \* 9/2002 Criniti et al. .... 324/127

\* cited by examiner

*Primary Examiner* — Antoine D Davis

(74) *Attorney, Agent, or Firm* — Geoffrey E. Dobbin

(57) **CLAIM**

The ornamental design for a calibration fixture for current probes, as shown and described.

**DESCRIPTION**

FIG. 1 is a perspective view of the calibration fixture for current probes.

FIG. 2 is a side elevation of the calibration fixture for current probes of FIG. 1.

FIG. 3 is a top plan view of the calibration fixture for current probes of FIG. 1.

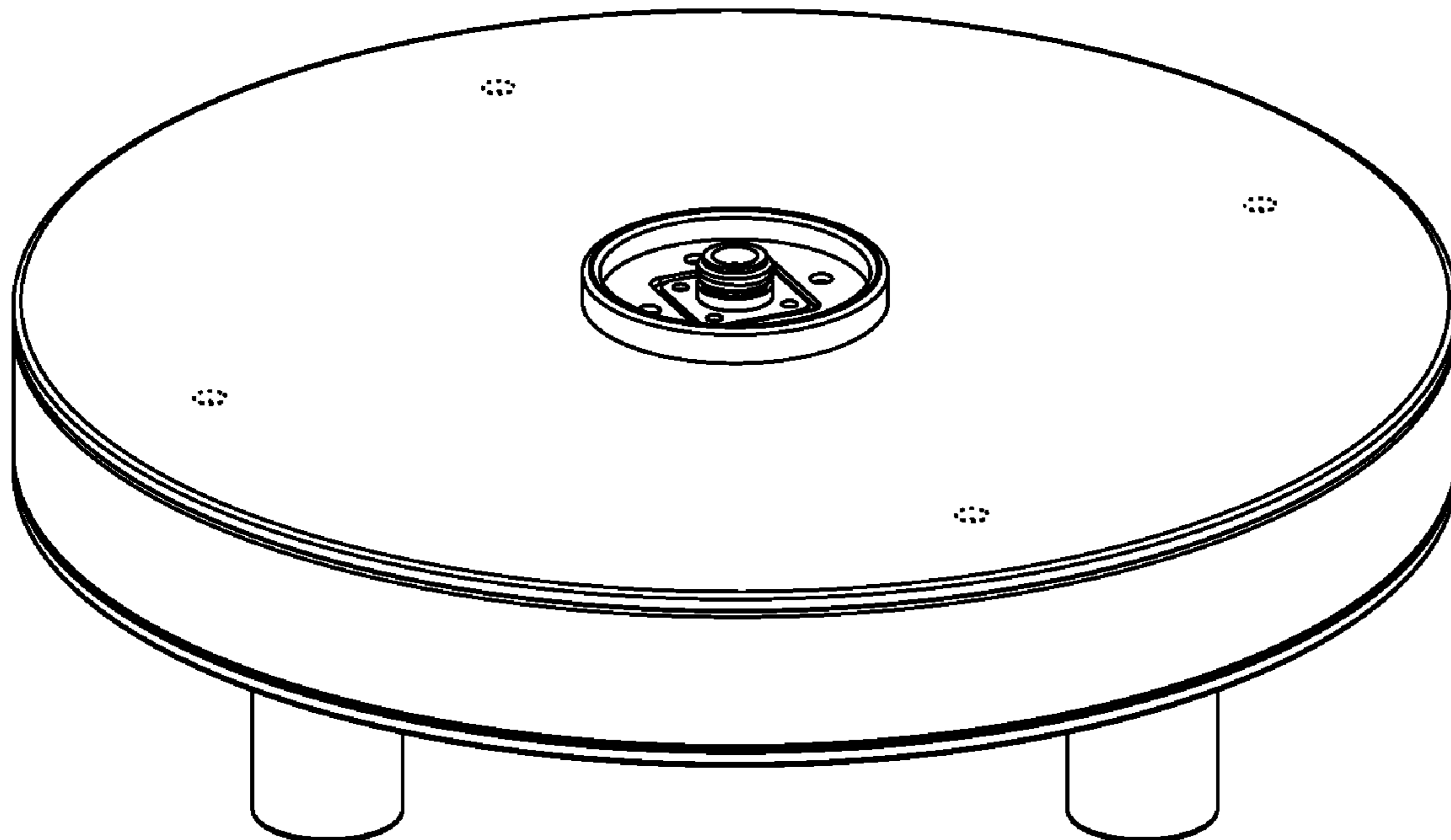
FIG. 4 is a bottom plan view of the calibration fixture for current probes of FIG. 1.

FIG. 5 is a perspective view of the calibration fixture for current probes of FIG. 1, having the upper cover removed; and,

FIG. 6 is a sectional view of the calibration fixture for current probes of FIG. 3, taken along line 3-3.

The broken lines in FIGS. 1 and 3 depict optional connection structure and the broken lines of FIG. 6 depict unseen internal structure and are illustrative of environment and not intended to form a part of the claimed design.

**1 Claim, 3 Drawing Sheets**



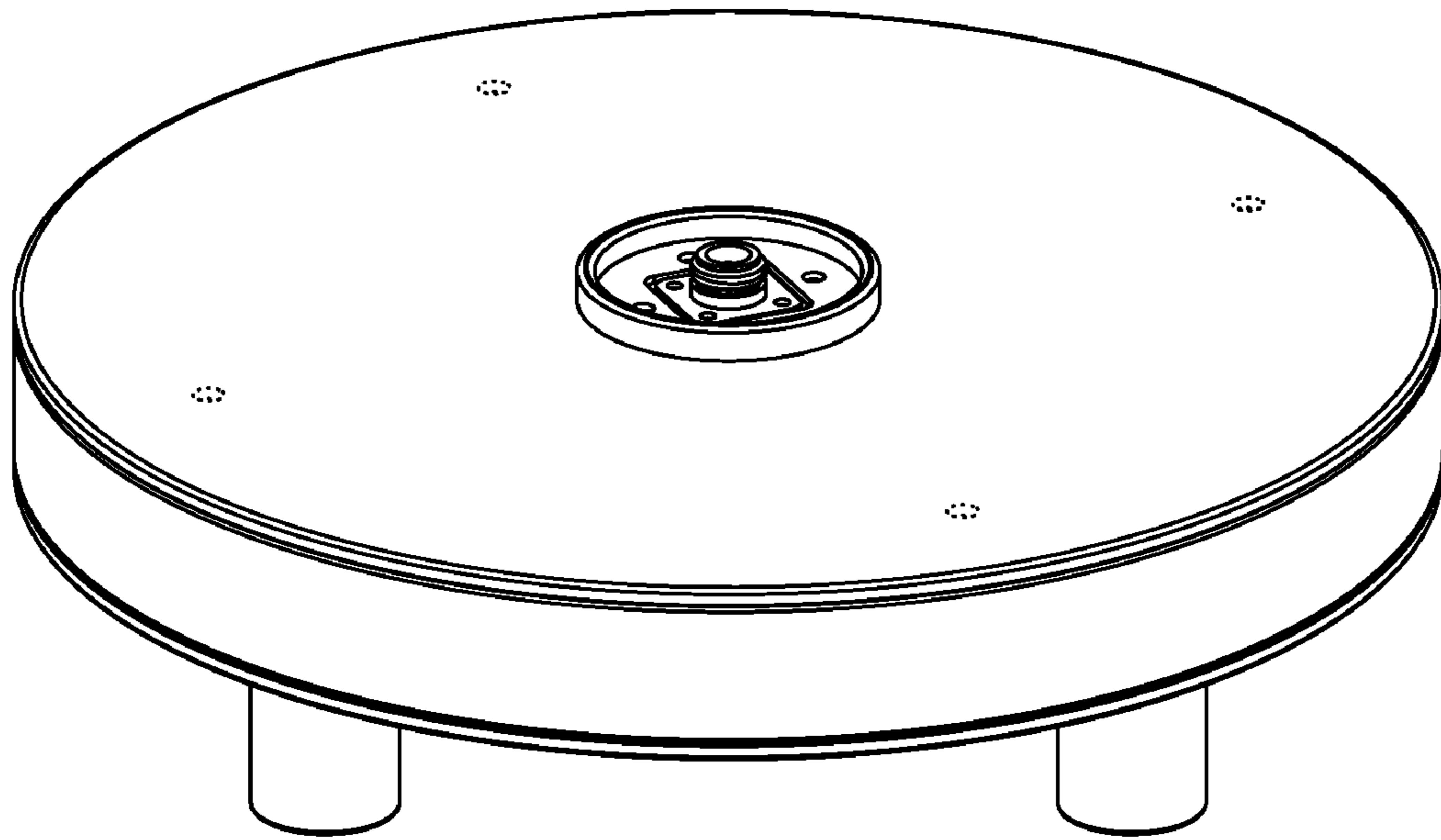


FIG. 1

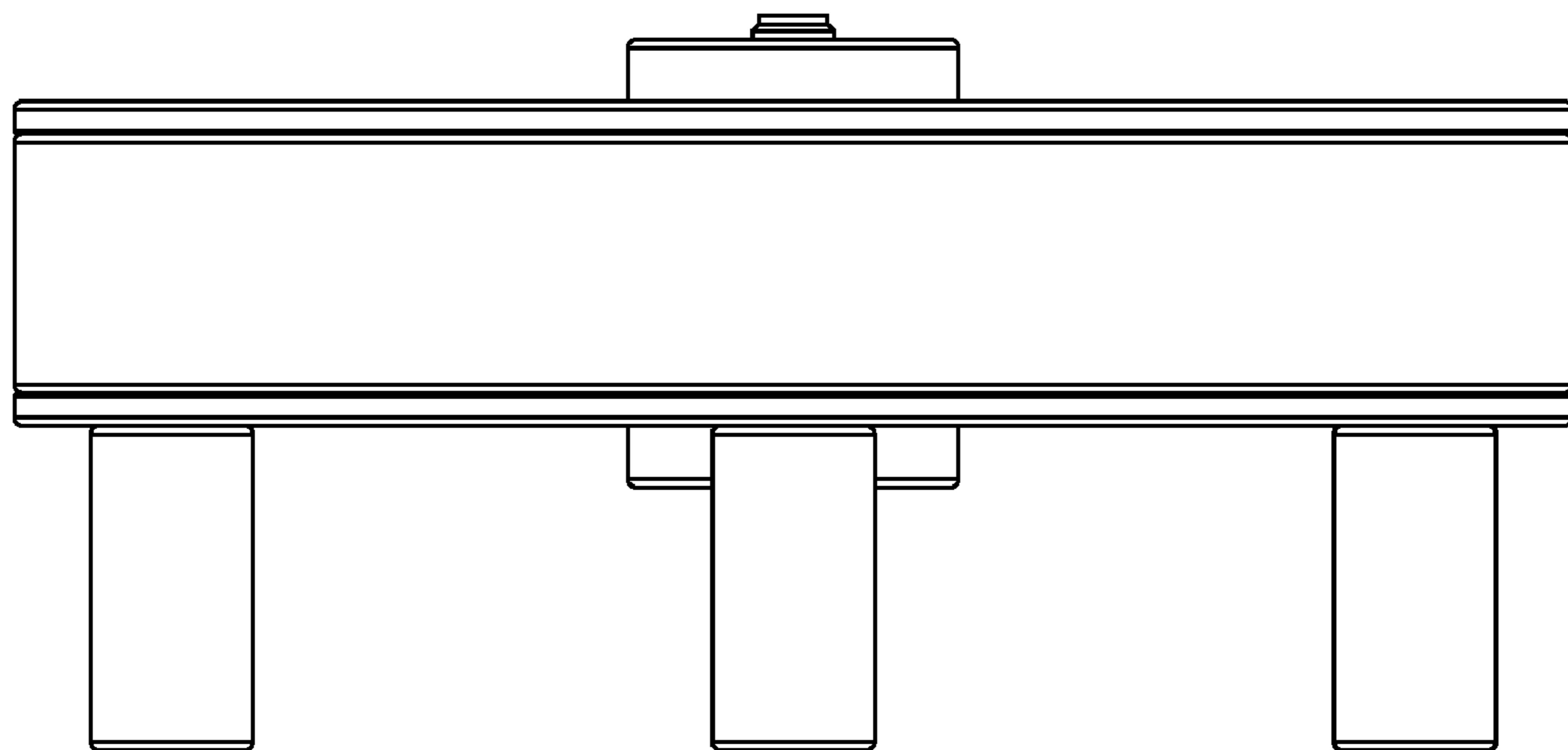
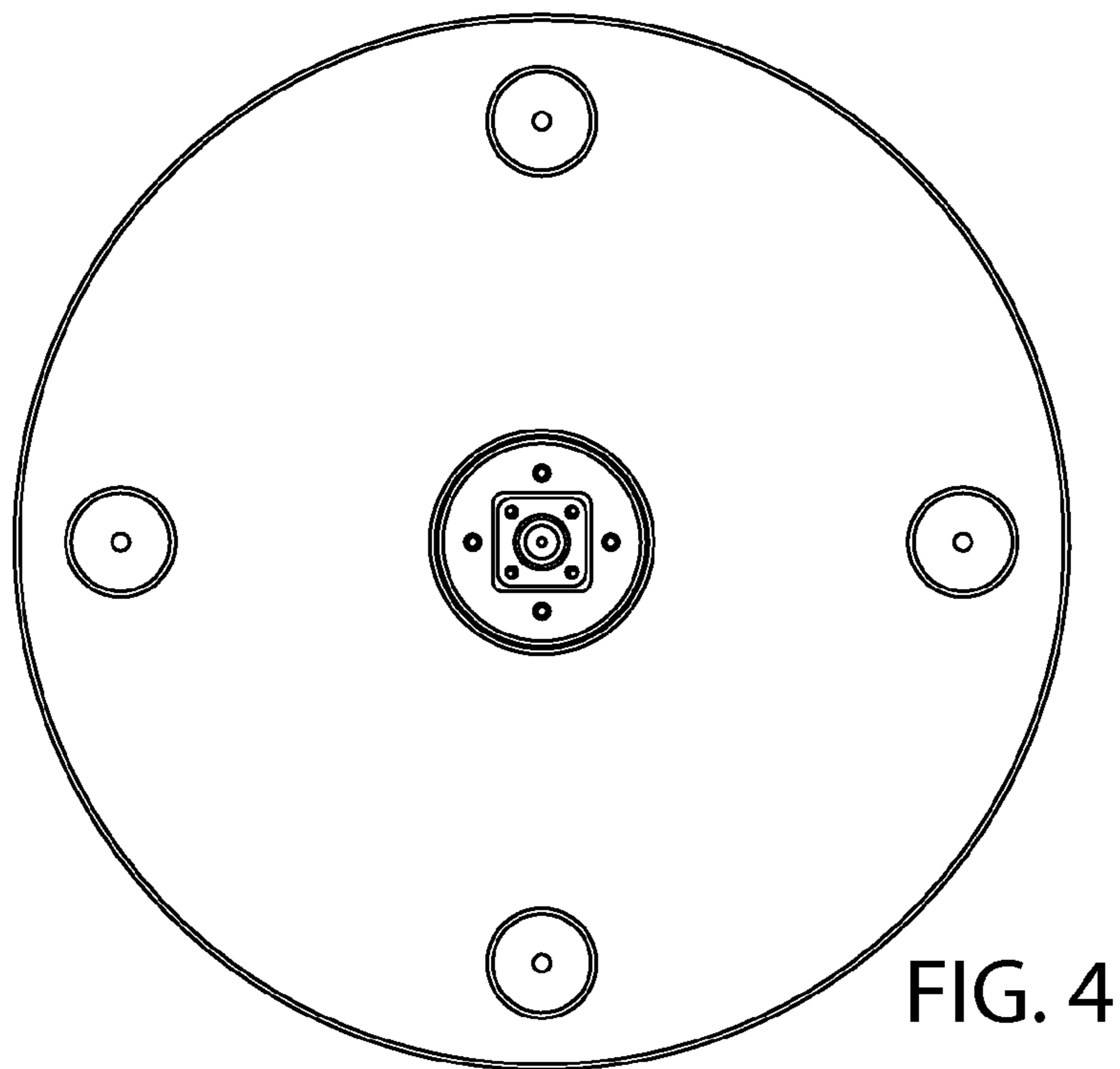
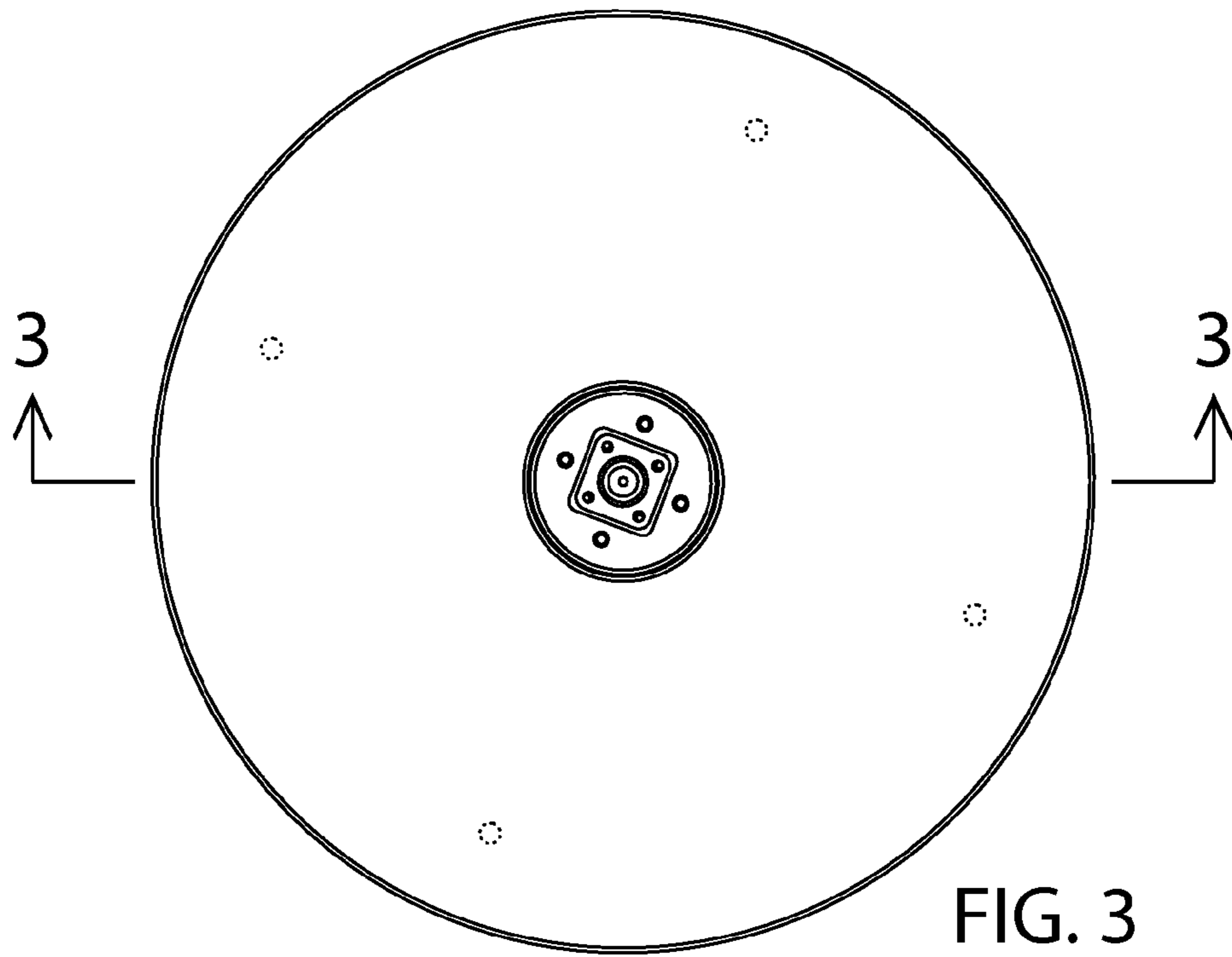


FIG. 2



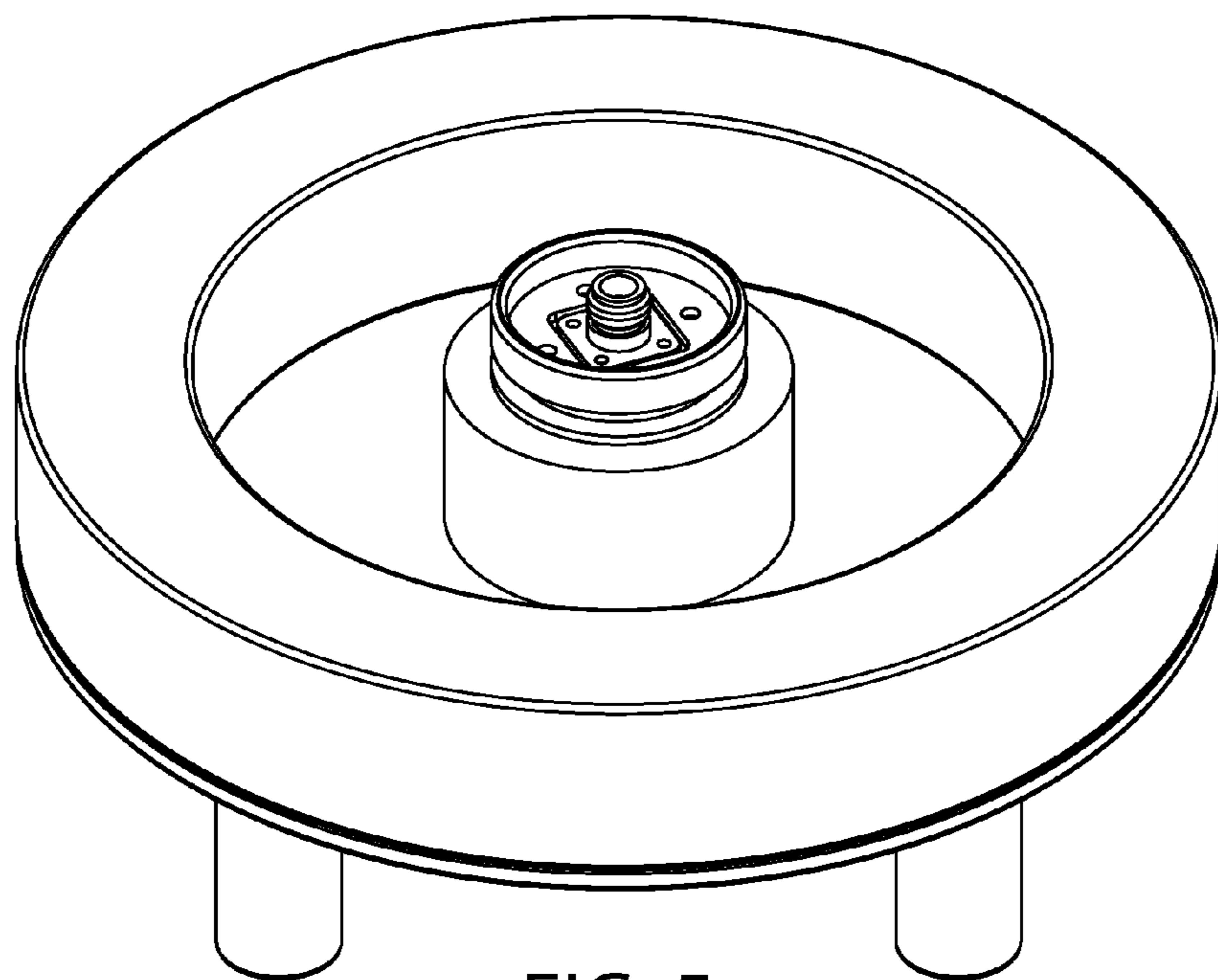


FIG. 5

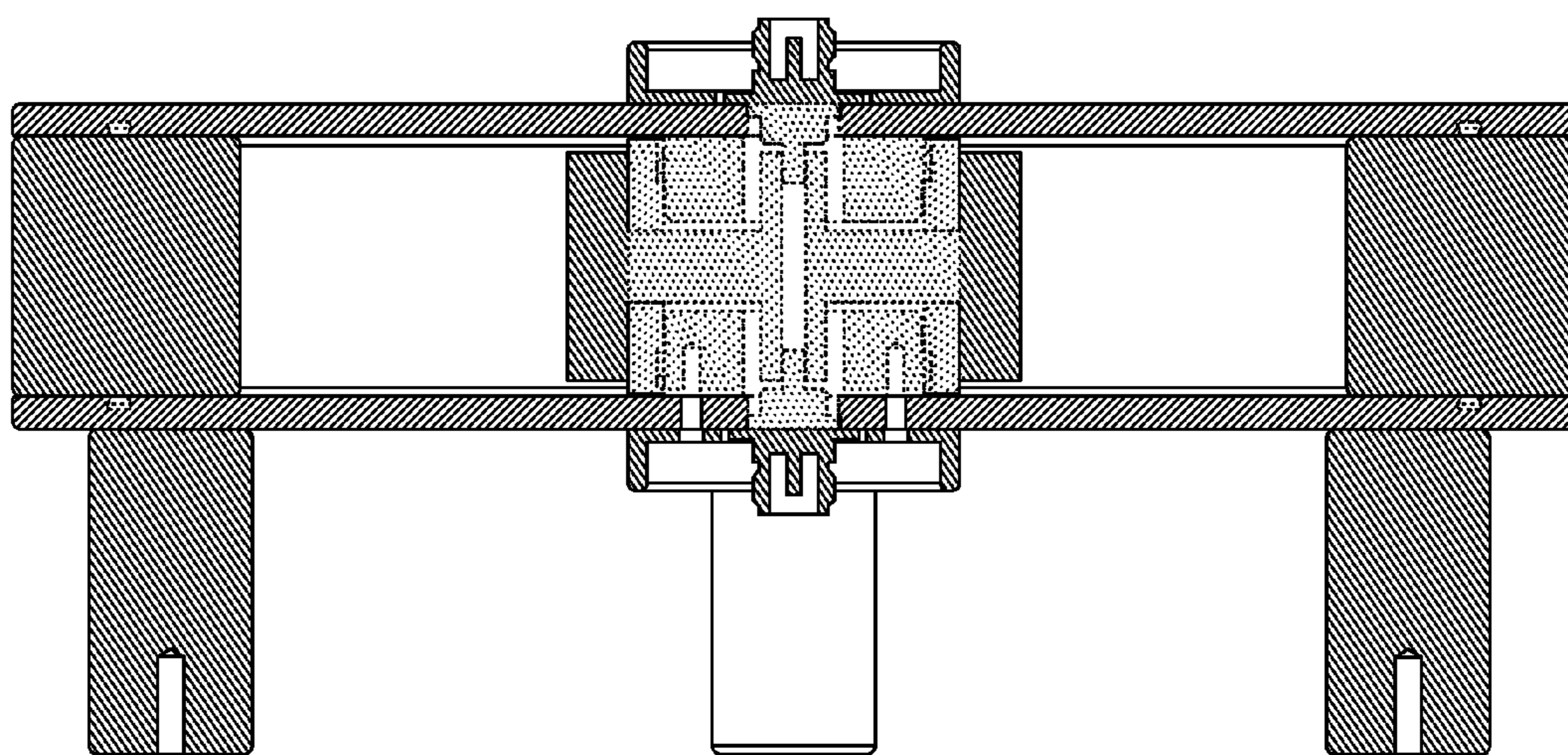


FIG. 6