

US00D662429S

(12) **United States Design Patent**
Hetke et al.

(10) **Patent No.:** **US D662,429 S**
(45) **Date of Patent:** **** Jun. 26, 2012**

(54) **SHAPE MEASURING TOOL**

(75) Inventors: **Meghan Donnelly Hetke**, Walnut Creek, CA (US); **Eric Thompson**, San Francisco, CA (US); **Bill Smith**, San Francisco, CA (US); **Alexandra Levin**, San Francisco, CA (US); **Judy Guo**, San Francisco, CA (US); **Purin Phanichphant**, Palo Alto, CA (US); **Jesse Amos Silver**, San Francisco, CA (US); **Peter Riering-Czekalla**, Oakland, CA (US); **Gina Lynn Romero**, Soquel, CA (US); **Candice Patricia Tillitt**, San Francisco, CA (US)

(73) Assignee: **Levi Strauss & Co.**, San Francisco, CA (US)

(**) Term: **14 Years**

(21) Appl. No.: **29/376,486**

(22) Filed: **Oct. 7, 2010**

(51) **LOC (9) Cl.** **10-04**

(52) **U.S. Cl.** **D10/71**

(58) **Field of Classification Search** D10/70,
D10/71; 2/325; 33/2 H, 2 R, 3 C, 15, 512,
33/755, 760, 764, 770

See application file for complete search history.

(56) **References Cited**

U.S. PATENT DOCUMENTS

167,957 A	9/1875	Ullrich	
519,090 A	5/1894	Newcomb	
655,960 A	8/1900	Cunningham	
736,052 A	8/1903	Adamson	
900,568 A	10/1908	Miles	
925,963 A *	6/1909	Stoldt	2/314

(Continued)

Primary Examiner — Antoine D Davis

(74) *Attorney, Agent, or Firm* — Aka Chan LLP

(57) **CLAIM**

The ornamental design for a shape measuring tool, as shown and described.

DESCRIPTION

FIG. 1 shows a front perspective view of a first embodiment of a design of a shape measuring tool. The buckle, numbers of the ruled tape, and fasteners on the panel are entirely unclaimed.

FIG. 2 shows a back perspective view of the design of FIG. 1. The ruled tape on the back of panel and backs of the fasteners are entirely unclaimed.

FIG. 3 shows a front view of the design of FIG. 1.

FIG. 4 shows a back view of the design of FIG. 1.

FIG. 5 shows a close-up view of a portion of the design indicated by the circle in FIG. 3.

FIG. 6 shows the first embodiment of the design when used to measure the shape of a person. The broken lines depicting a person in FIG. 6 are for environmental purposes only and are entirely unclaimed.

FIG. 7 shows a view of a second embodiment of a design of a shape measuring tool. The buckle, ruled tape and graduated tape markings, and fasteners on the panel are entirely unclaimed.

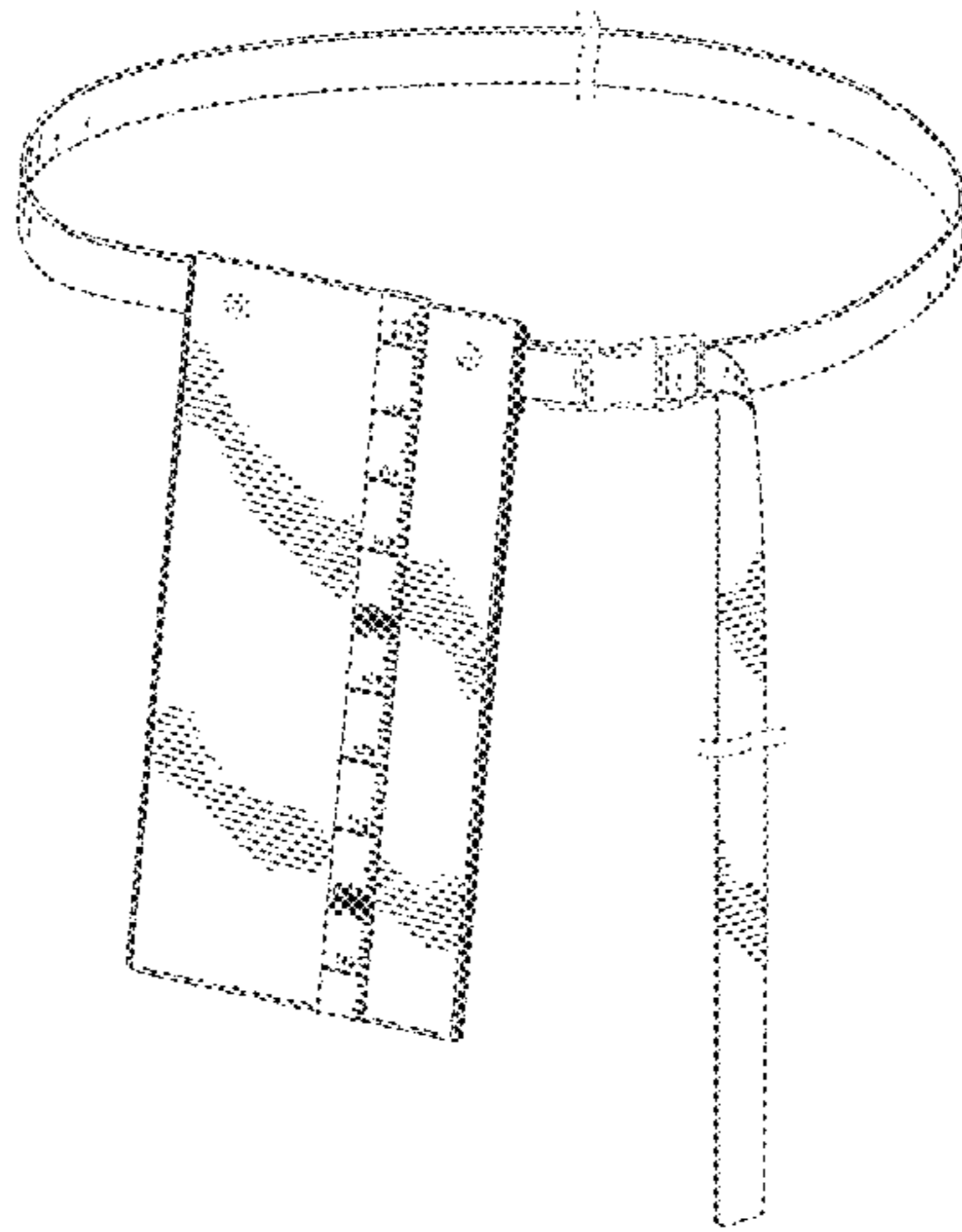
FIG. 8 shows a close-up view of a portion of the design indicated by the circle in FIG. 7.

FIG. 9 shows a view of a third embodiment of a design of a shape measuring tool. The buckle, edges and numbers of the ruled tape, and fasteners on the panel are entirely unclaimed; and,

FIG. 10 shows a view of a fourth embodiment of a design of a shape measuring tool. A portion of the buckle, edges and numbers of the ruled tape, and fasteners on the panel are entirely unclaimed.

Pairs of closely spaced, jagged broken lines on the strap in the figures are to indicate an indeterminate length. These and other broken-line features and text in the figures are for illustrative purposes only and form no part of the claimed design.

1 Claim, 10 Drawing Sheets



US D662,429 S

Page 2

U.S. PATENT DOCUMENTS

942,338	A	12/1909	Morrison			
988,683	A	4/1911	Wurtzel			
1,096,975	A *	5/1914	Watters	33/2 R	
1,248,035	A	11/1917	Taylor			
1,278,107	A	9/1918	Cherrie et al.			
1,292,056	A	7/1919	Remy			
1,784,888	A	12/1930	Couture			
2,205,626	A *	6/1940	Mason		D10/71
3,039,197	A *	6/1962	Abbott		33/755
D295,149	S *	4/1988	Markin		D10/71
D533,094	S *	12/2006	Sieber		D10/71
7,685,727	B2	3/2010	Sieber			

* cited by examiner

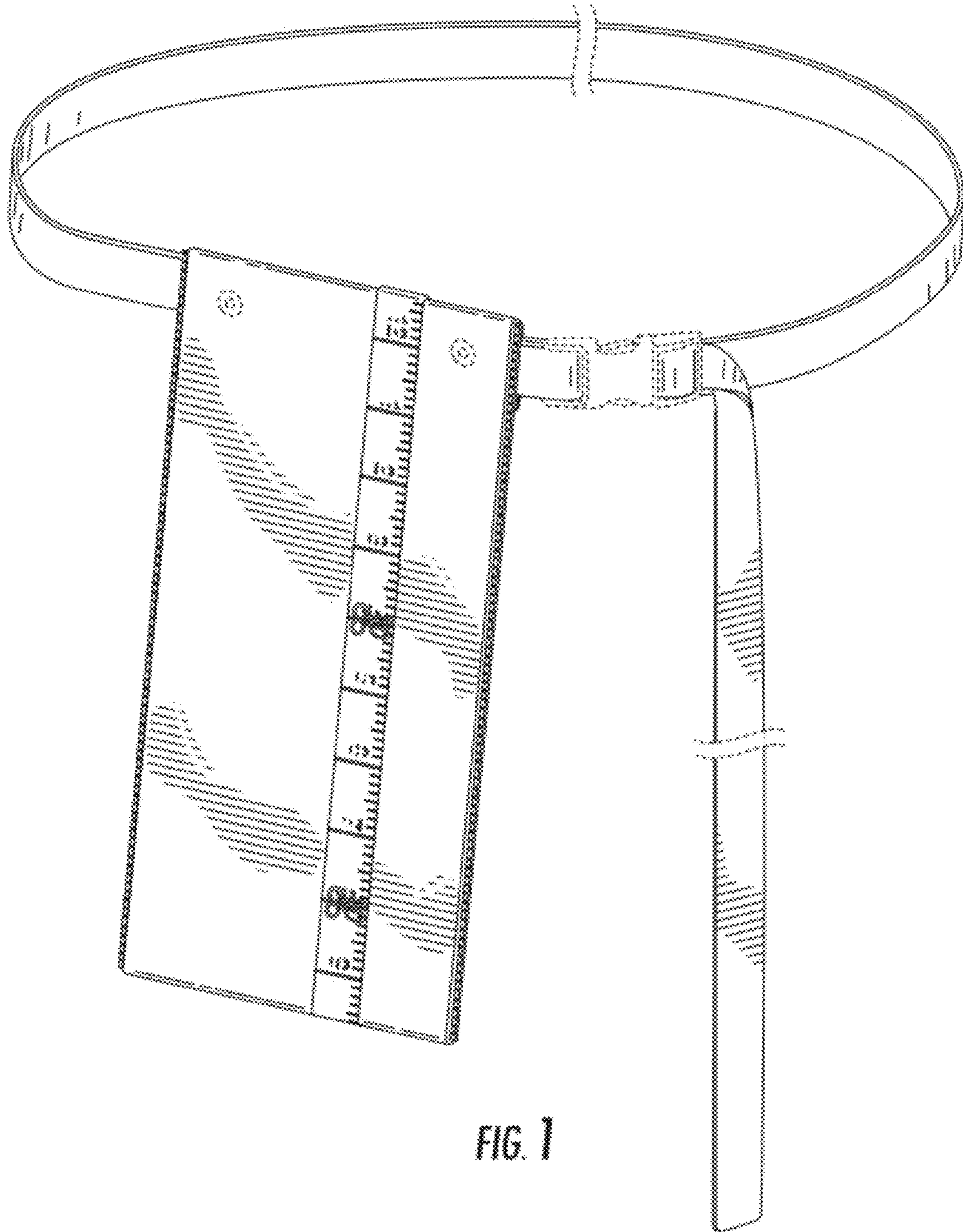


FIG. 1

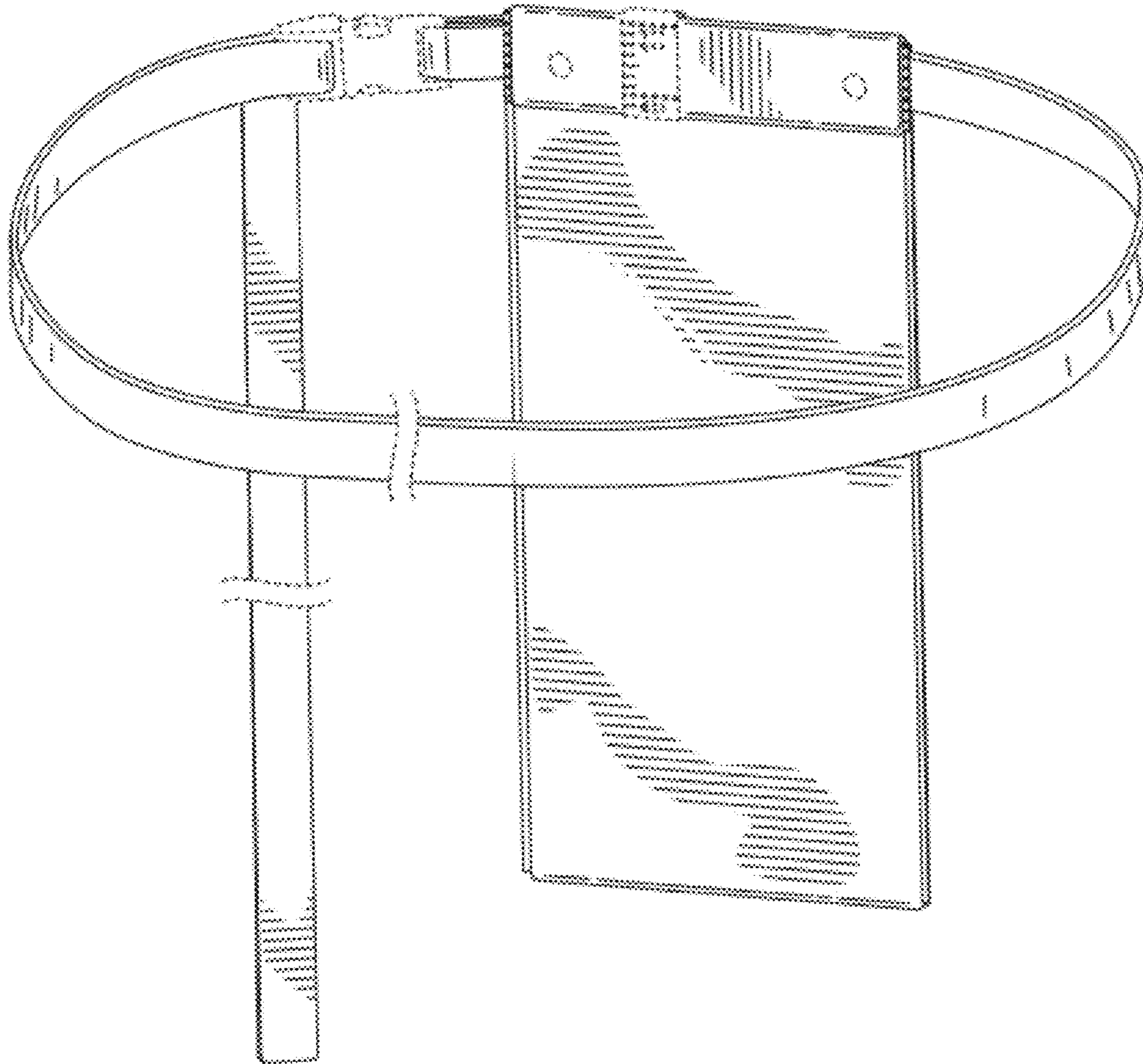
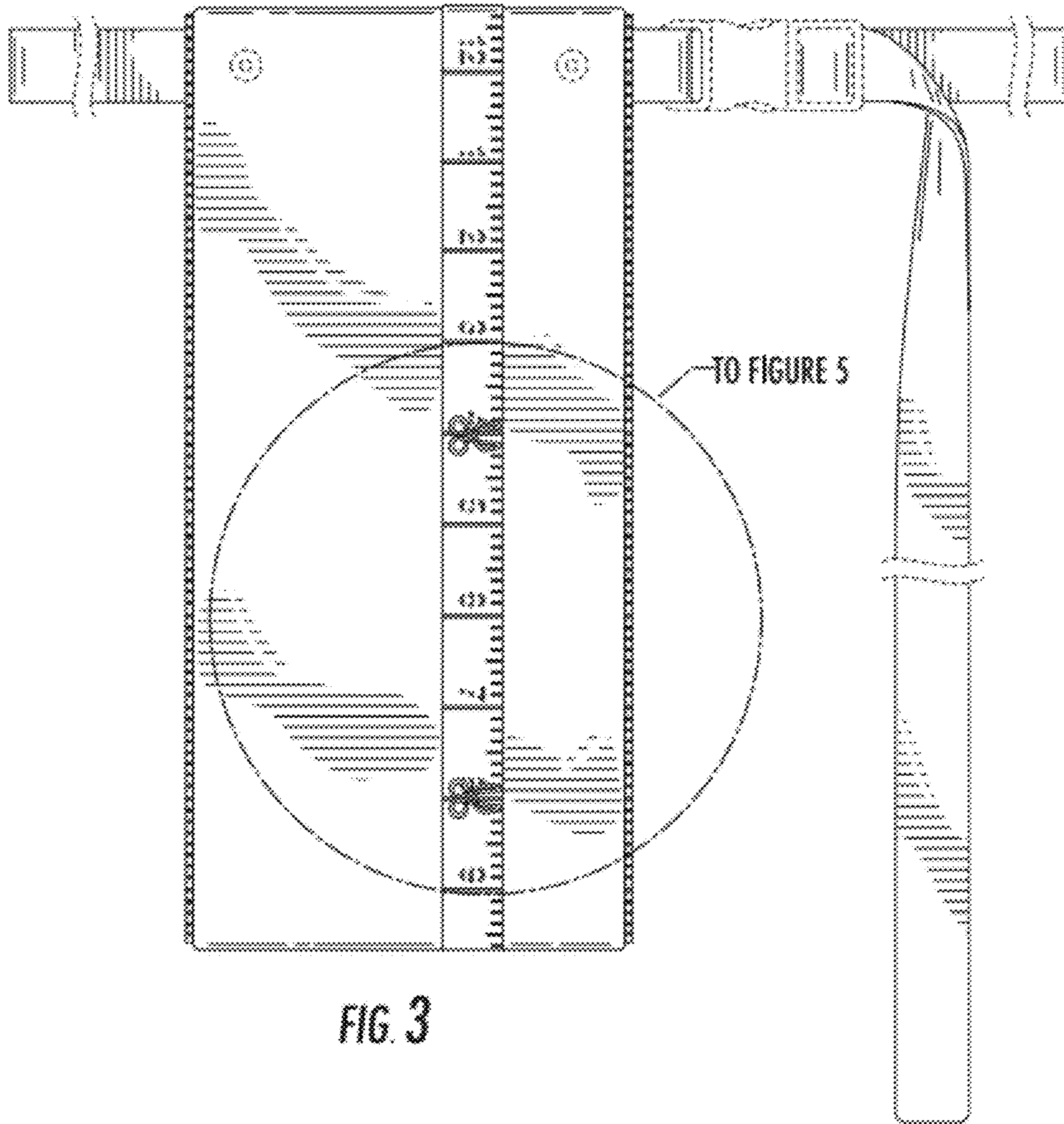


FIG. 2



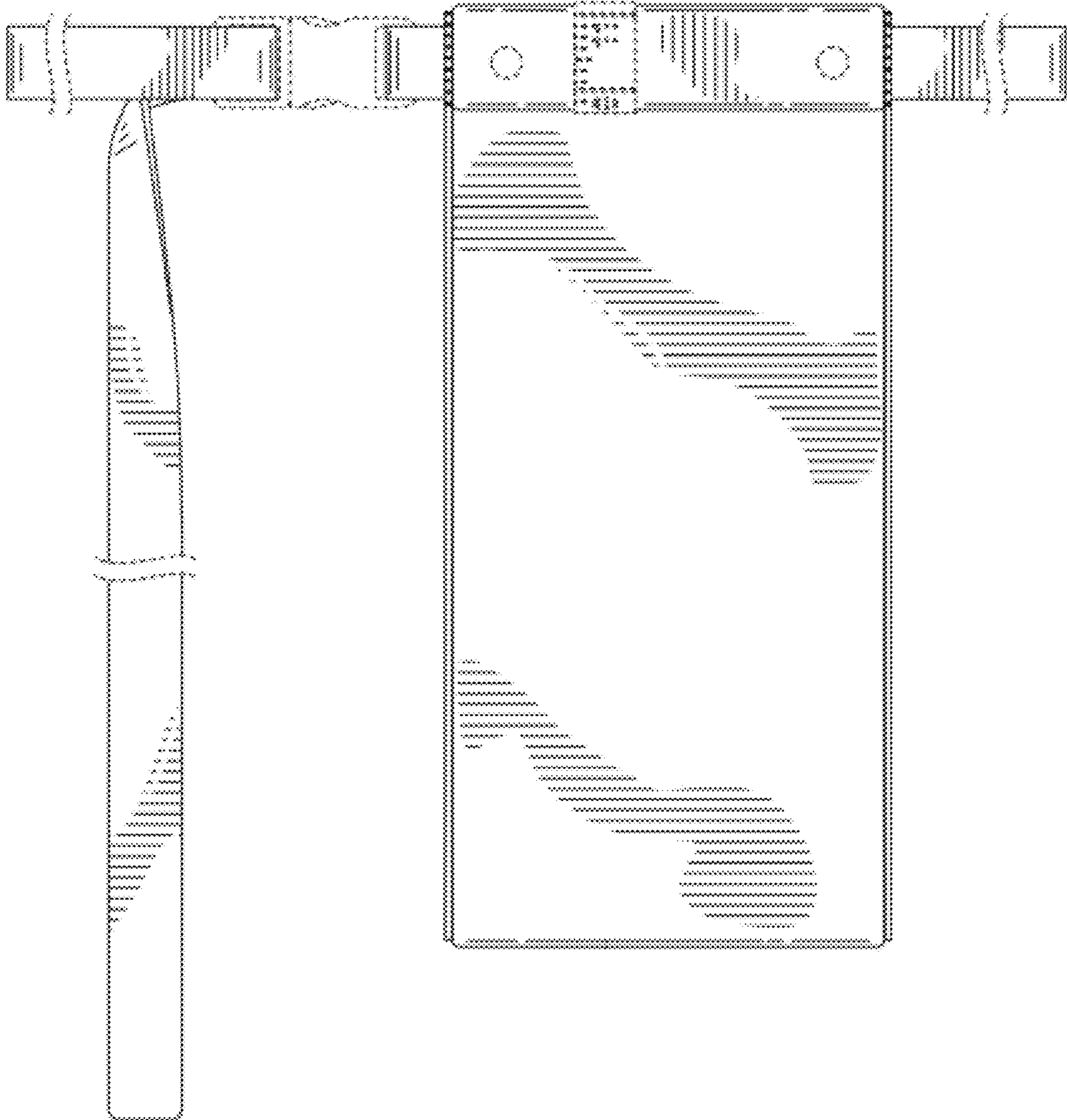


FIG. 4

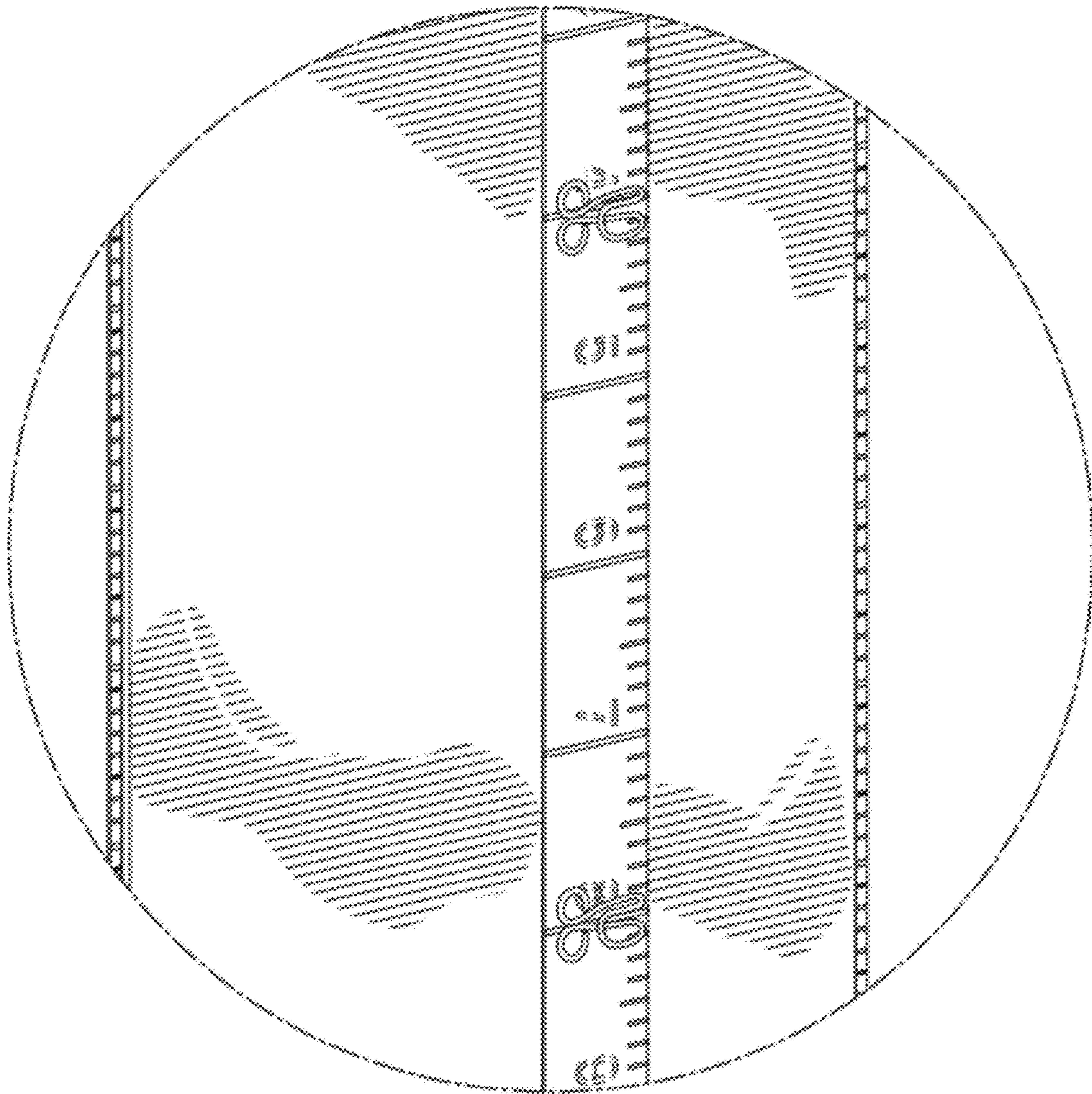


FIG. 5

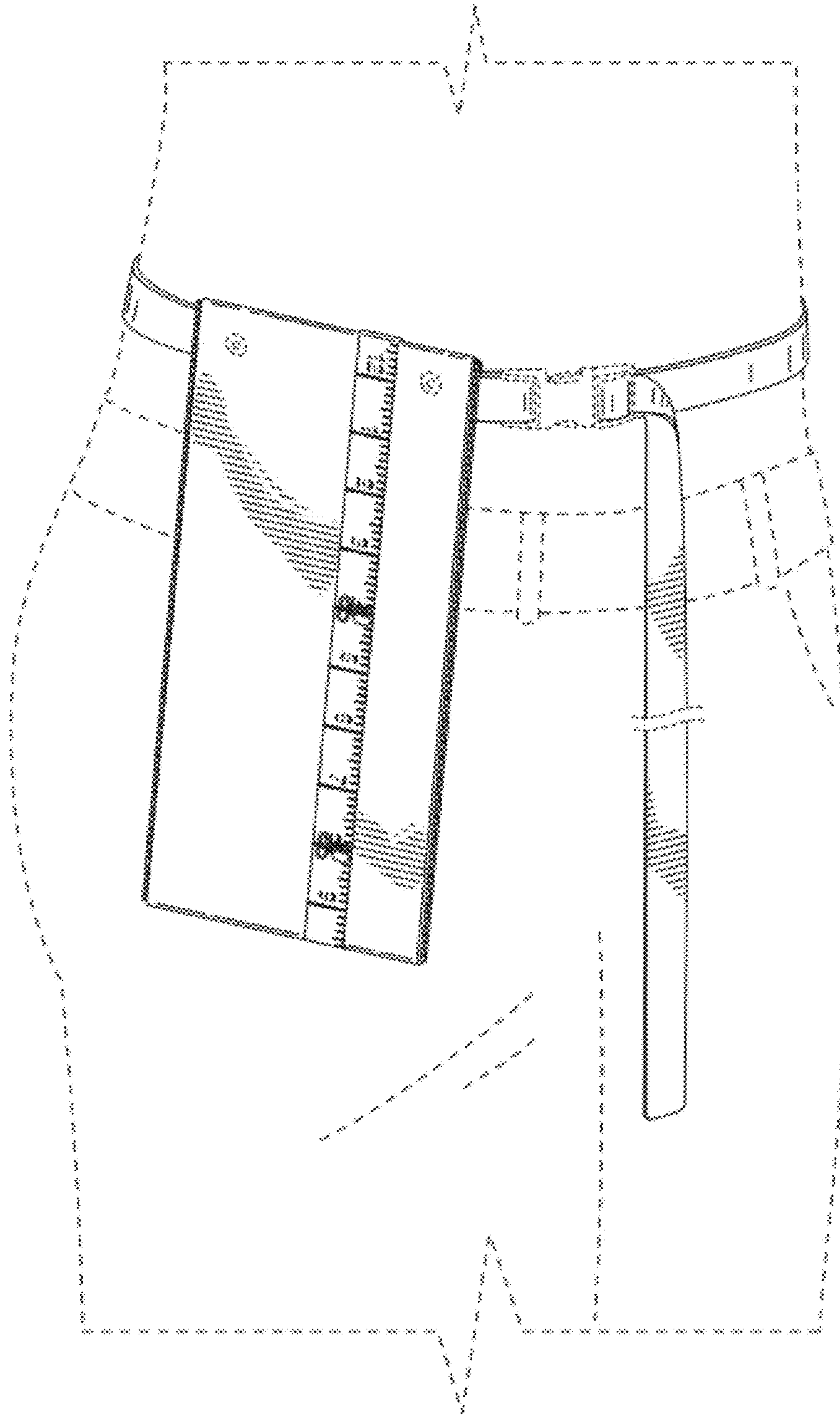


FIG. 6

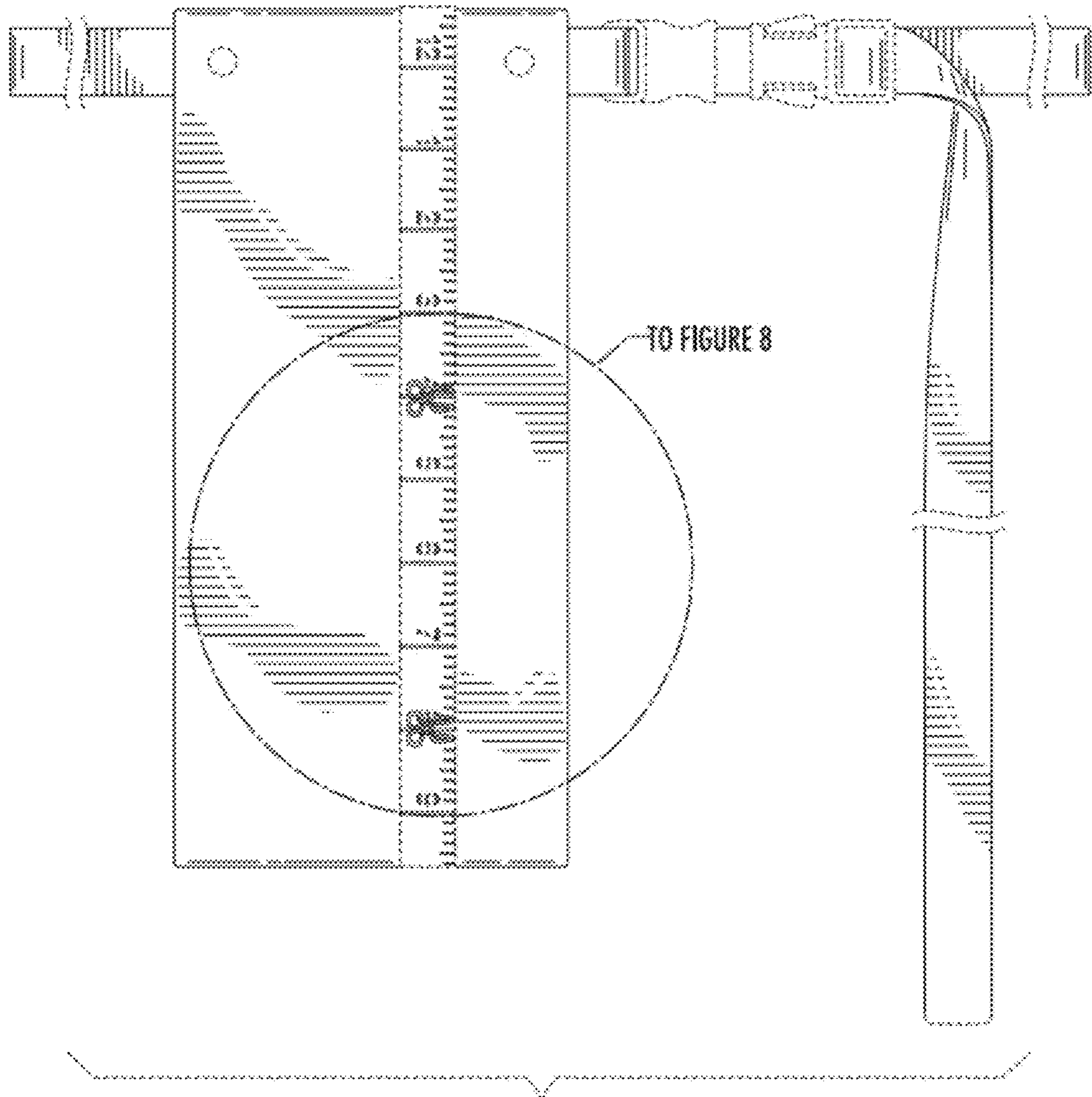


FIG. 7

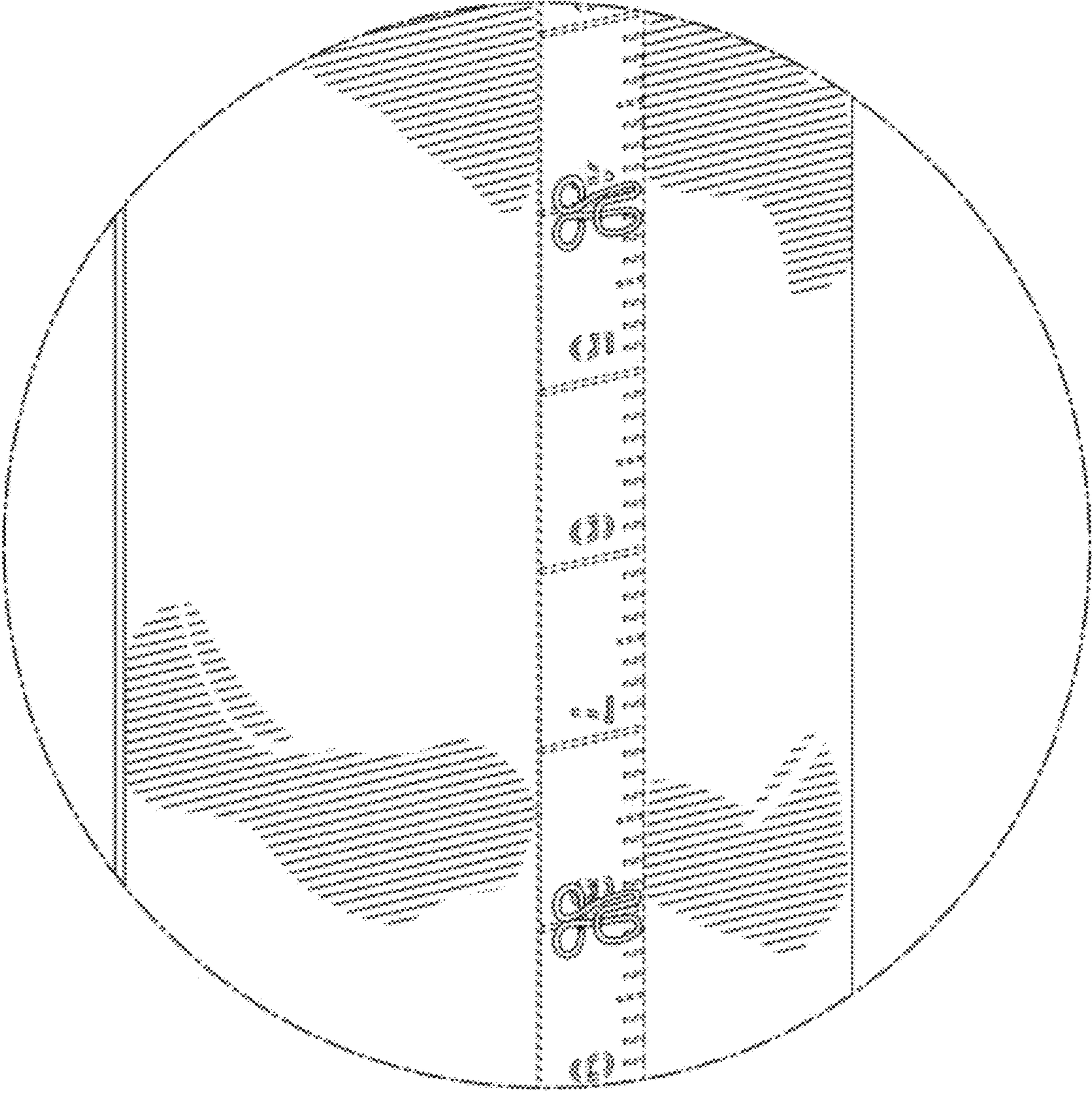


FIG. 8

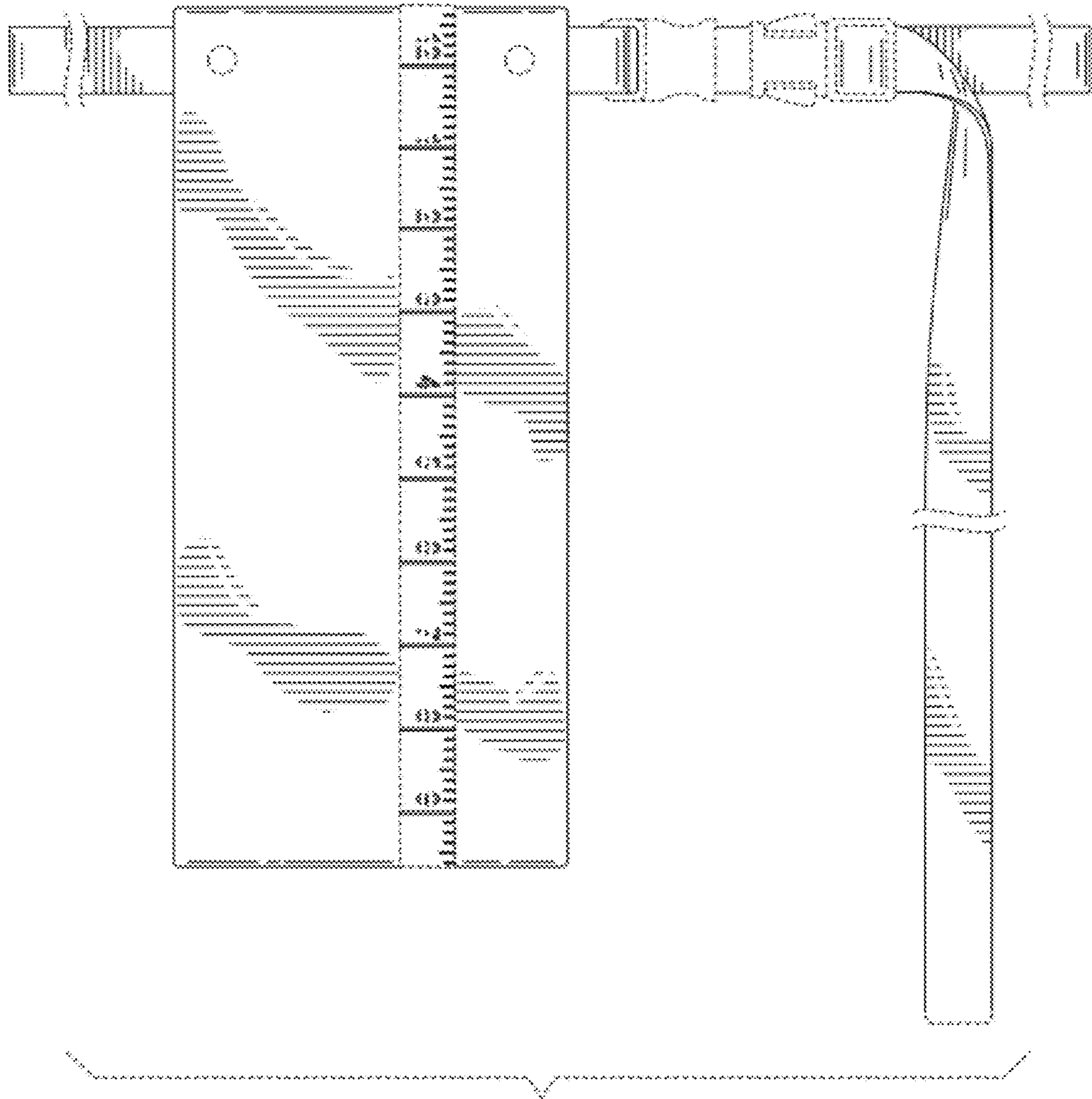


FIG. 9

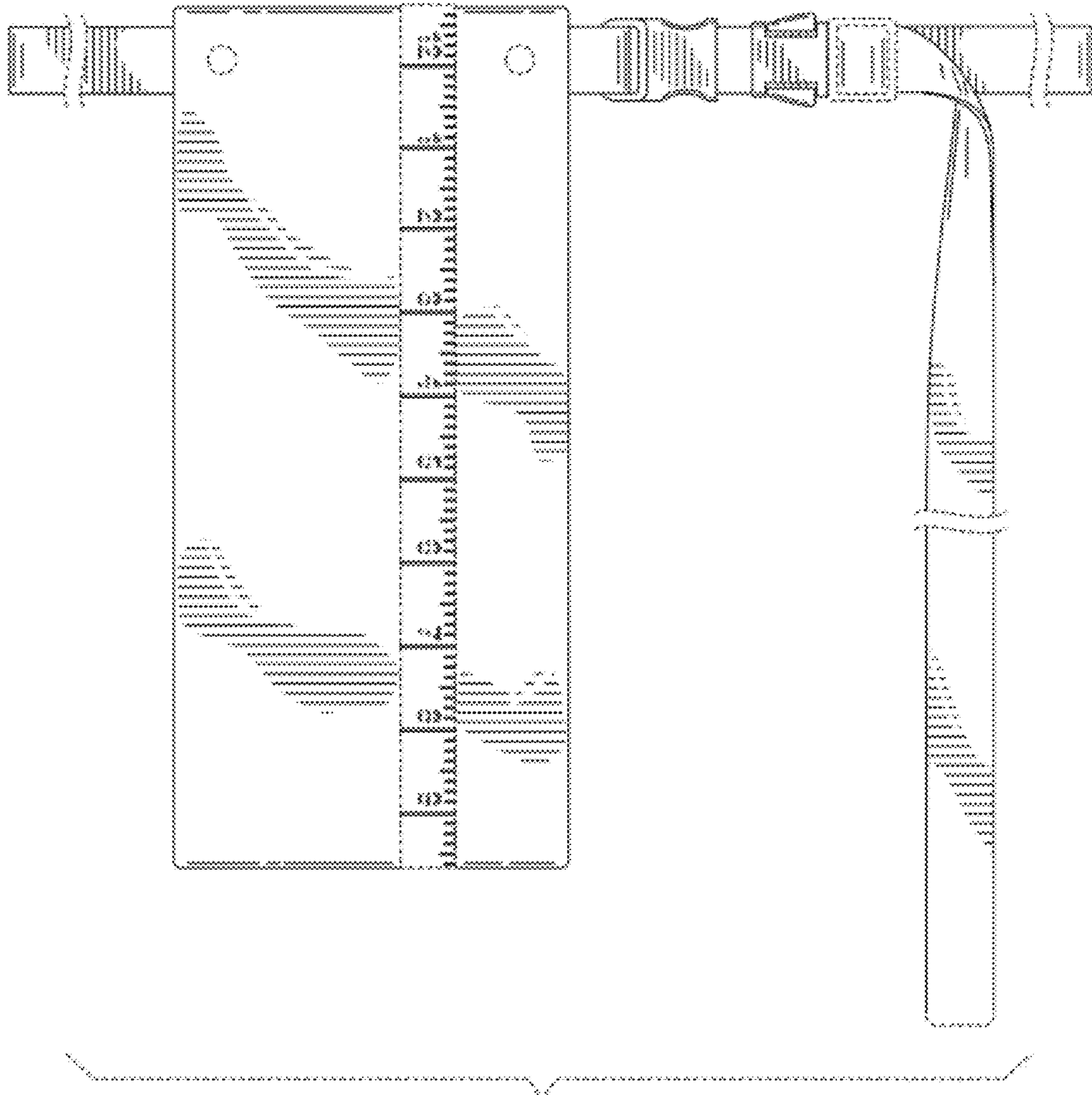


FIG. 10