



US00D662427S

(12) **United States Design Patent**
Bailey et al.

(10) **Patent No.:** **US D662,427 S**
(45) **Date of Patent:** **** Jun. 26, 2012**

(54) **MEASUREMENT DEVICE**

(75) Inventors: **Brent Bailey**, Winter Springs, FL (US);
Marc M. Barber, Deltona, FL (US);
Clark H. Briggs, DeLand, FL (US);
David M. Danielson, Sorrento, FL (US);
Orlando Perez, Lake Mary, FL (US)

(73) Assignee: **Faro Technologies, Inc.**, Lake Mary, FL (US)

(**) Term: **14 Years**

(21) Appl. No.: **29/379,170**

(22) Filed: **Nov. 16, 2010**

(51) **LOC (9) Cl.** **10-04**

(52) **U.S. Cl.** **D10/63; D15/199**

(58) **Field of Classification Search** D10/63;
D15/199; 33/503-505, 558; 319/560; 700/245,
700/262, 195, 80; 702/150-156, 94, 95,
702/167-169

See application file for complete search history.

(56) **References Cited**

U.S. PATENT DOCUMENTS

5,768,792 A 6/1998 Raab

(Continued)

FOREIGN PATENT DOCUMENTS

EP 2068067 6/2009

(Continued)

Primary Examiner — Antoine D Davis

(74) *Attorney, Agent, or Firm* — Cantor Colburn LLP

(57) **CLAIM**

We claim, the ornamental design for a measurement device, as shown and described.

DESCRIPTION

FIG. 1 is a front plan view of a second embodiment the invention with the articulatable arm in a first position;

FIG. 2 is a rear plan view of the embodiment of FIG. 11; FIG. 3 is a first side plan view of the embodiment of FIG. 11; FIG. 4 is a second side plan view of the embodiment of FIG. 11; FIG. 5 is a bottom plan view of the embodiment of FIG. 11; FIG. 6 is a top plan view of the embodiment of FIG. 11; FIG. 7 is a first perspective view of the embodiment of FIG. 11; FIG. 8 is a second perspective view of the embodiment of FIG. 11; and, FIG. 9 is a third perspective view of the embodiment of FIG. 11.

The dash-dot lines shown in FIGS. 1-4, 7-14, 17-19 indicate an indefinite arm portion, the measurement device according to the claimed design may have any length arm portion.

The phantom lines shown in FIG. 1-FIG. 37 are environmental and not part of the claimed design.

The color and shading shown in FIG. 1-FIG. 28 forms no part of the claimed design, the measurement device according to the claimed design may be any color or combination of colors.

The surface treatment shown in FIG. 1-FIG. 28 forms no part of the claimed design, the measurement device of the claimed design may have any surface treatment.

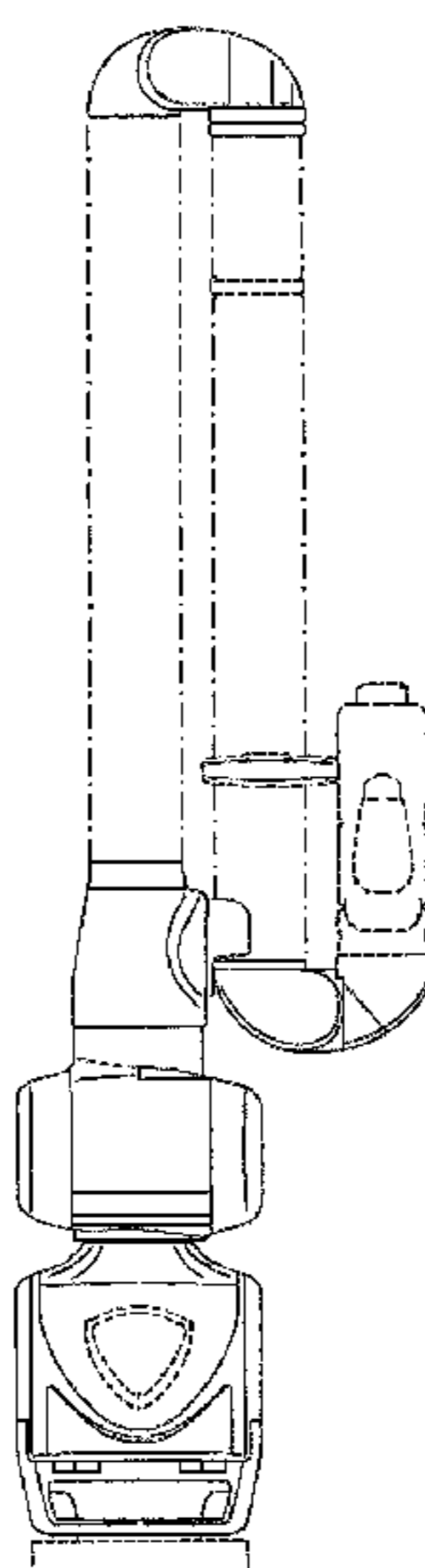
The light gray portions shown in FIG. 29-FIG. 37 have RGB values of R=198, G=198, B=198.

The white portions shown in FIG. 29-FIG. 37 have RGB values of R=230, G=230, B=230.

The dark gray portions shown in FIG. 29-FIG. 37 have RGB values of R=056, G=085, B=168.

References to “side”, “top”, “front”, “rear” and “bottom” in the figure descriptions are not meant to require certain in-use orientation; a measurement device according to the claimed design may be used in any orientation.

1 Claim, 5 Drawing Sheets



US D662,427 S

Page 2

U.S. PATENT DOCUMENTS

5,926,782 A 7/1999 Raab
5,978,748 A 11/1999 Raab
D423,534 S 4/2000 Raab et al.
6,131,299 A 10/2000 Raab et al.
6,151,789 A 11/2000 Raab et al.
D441,632 S 5/2001 Raab et al.
6,253,458 B1 7/2001 Raab et al.
6,366,831 B1 * 4/2002 Raab 700/262
D472,824 S * 4/2003 Raab et al. D10/63
D479,544 S * 9/2003 Raab et al. D15/199
D490,831 S * 6/2004 Raab et al. D15/199
D491,210 S 6/2004 Raab et al.
7,024,032 B2 4/2006 Kidd et al.
7,525,276 B2 4/2009 Eaton
D599,226 S 9/2009 Gerent et al.
7,624,510 B2 12/2009 Ferrari
D607,350 S * 1/2010 Cooduvalli et al. D10/63

7,693,325 B2 4/2010 Pulla et al.
7,743,524 B2 6/2010 Eaton et al.
7,779,548 B2 8/2010 Ferrari
7,779,553 B2 8/2010 Jordil et al.
D643,319 S * 8/2011 Ferrari et al. D10/63
2006/0291970 A1 12/2006 Granger
2008/0052936 A1 3/2008 Briggs et al.
2008/0148585 A1 6/2008 Raab et al.
2009/0083985 A1 4/2009 Ferrari
2009/0249634 A1 10/2009 Pettersson
2010/0095542 A1 4/2010 Ferrari
2010/0208062 A1 8/2010 Pettersson
2010/0325907 A1 12/2010 Tait

FOREIGN PATENT DOCUMENTS

EP 2068114 6/2009
WO 2009130169 10/2009

* cited by examiner

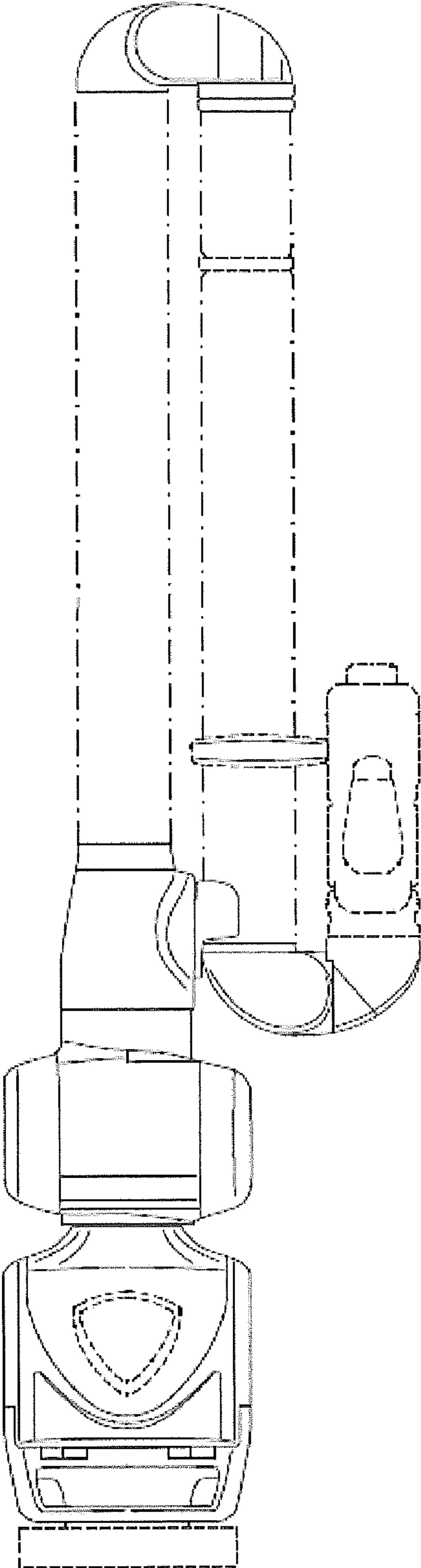


FIG. 1

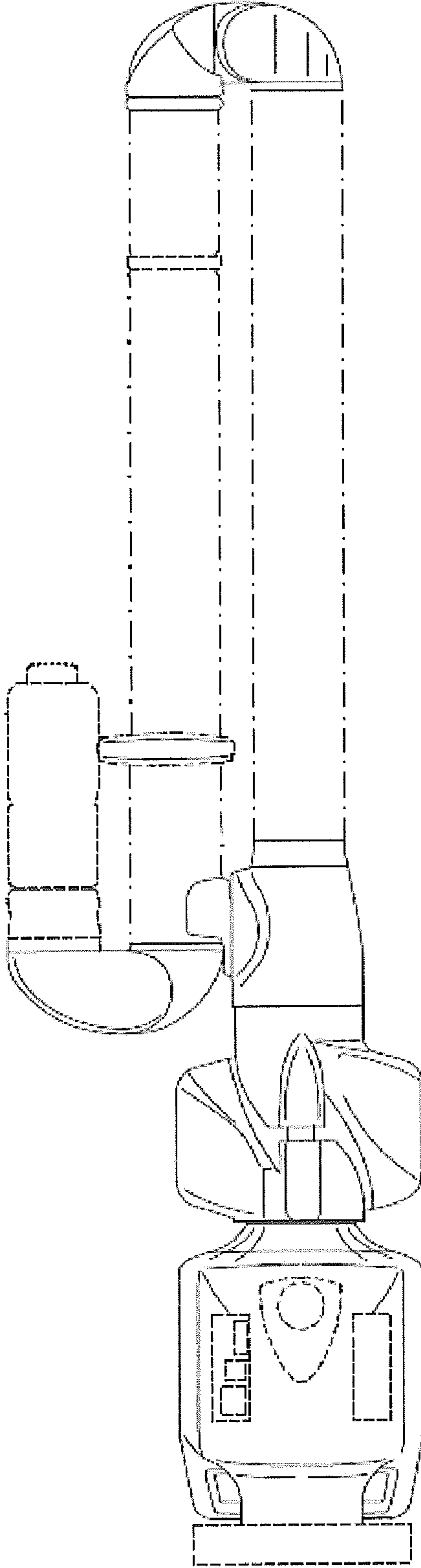


FIG. 2

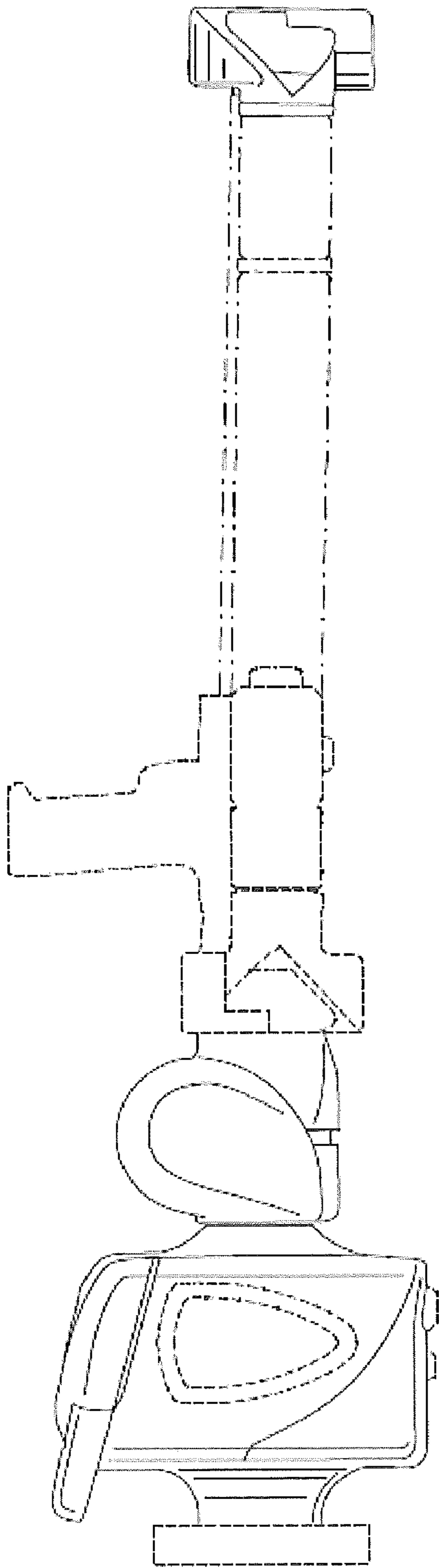


FIG. 3

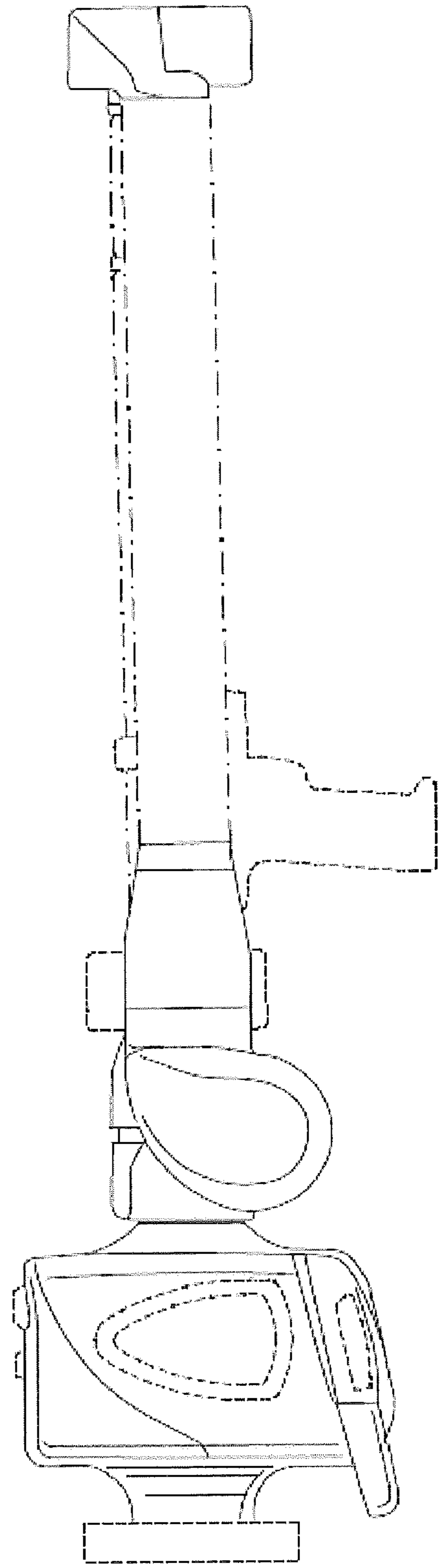


FIG. 4

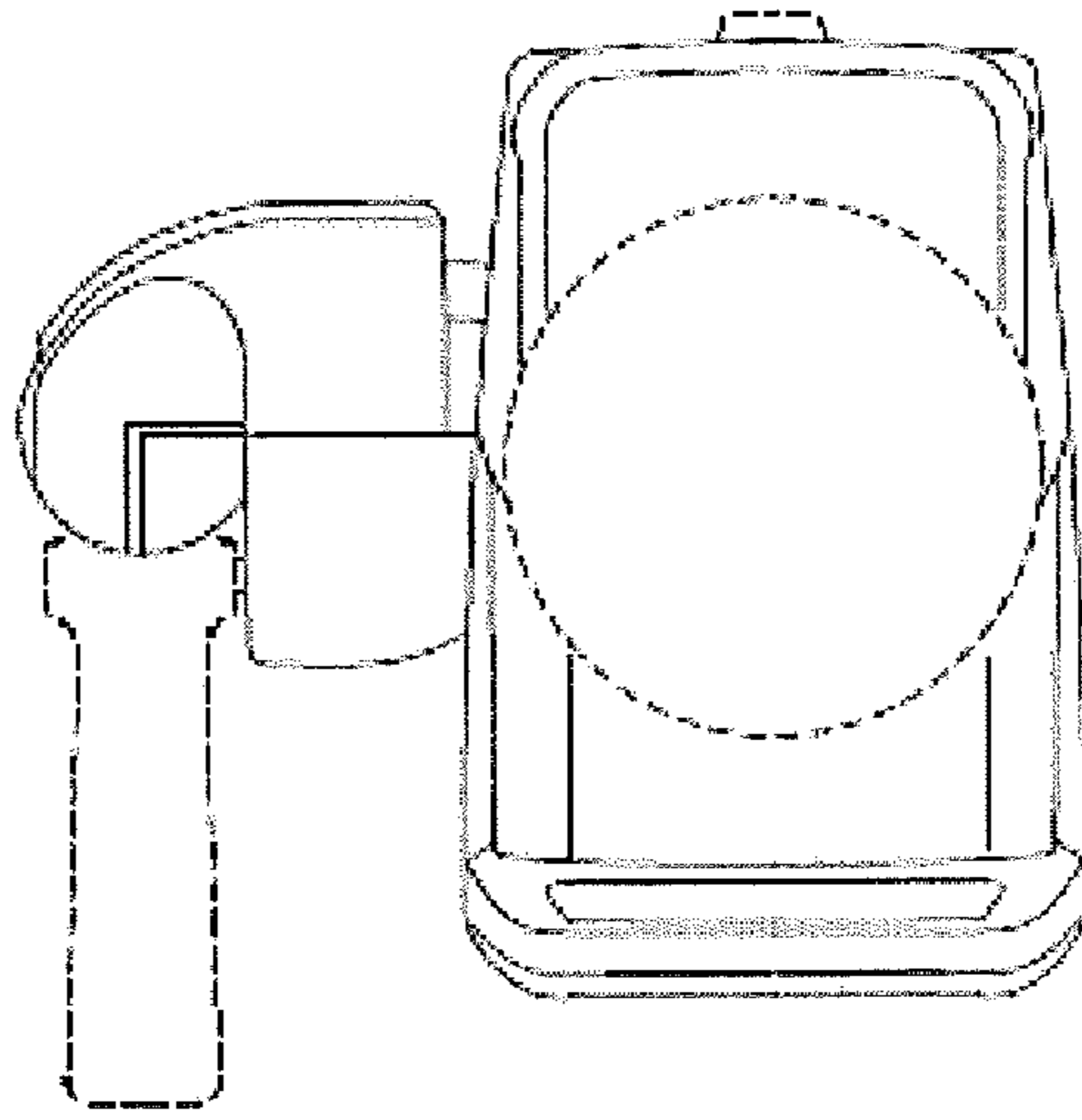


FIG. 5

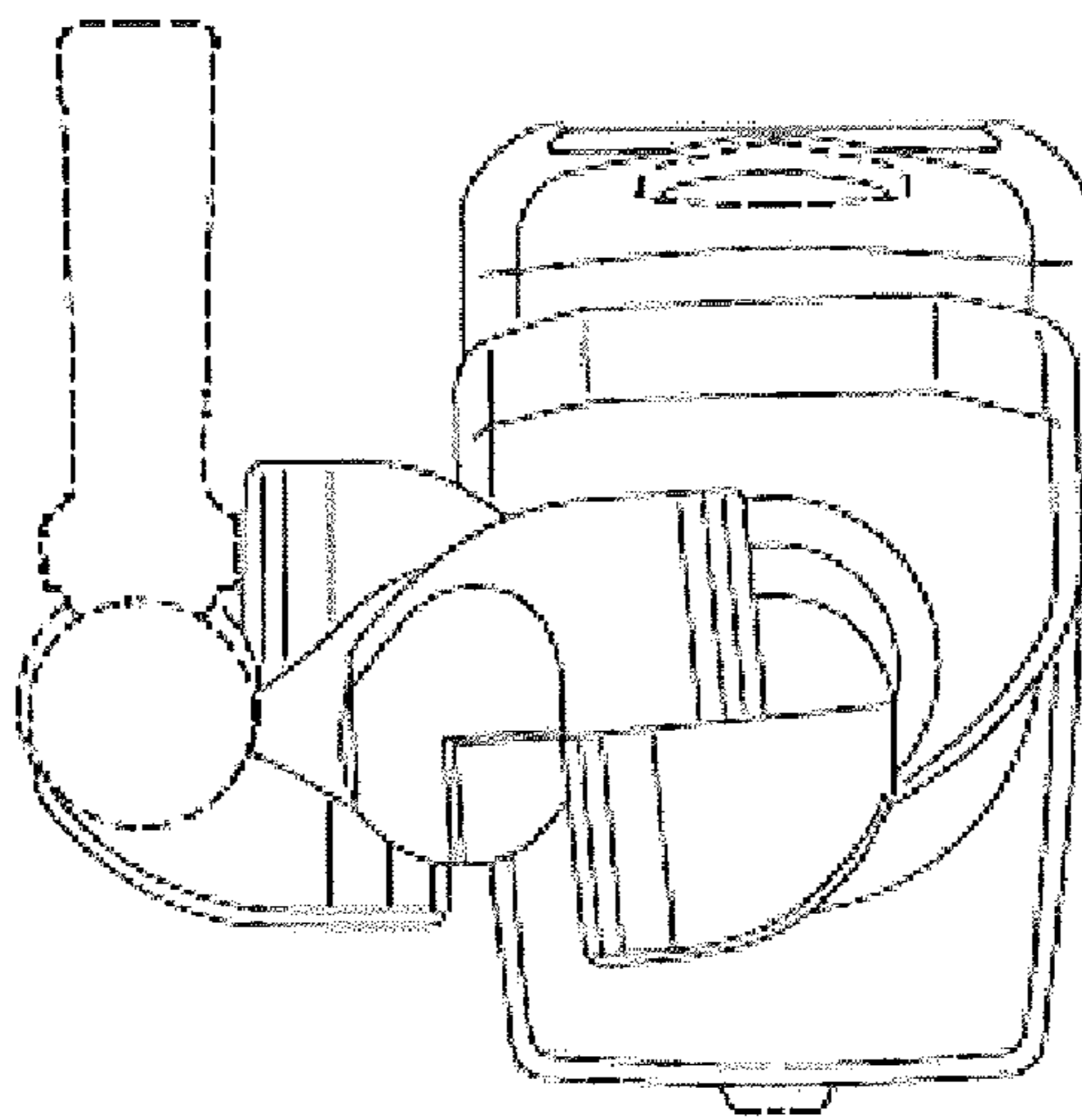


FIG. 6

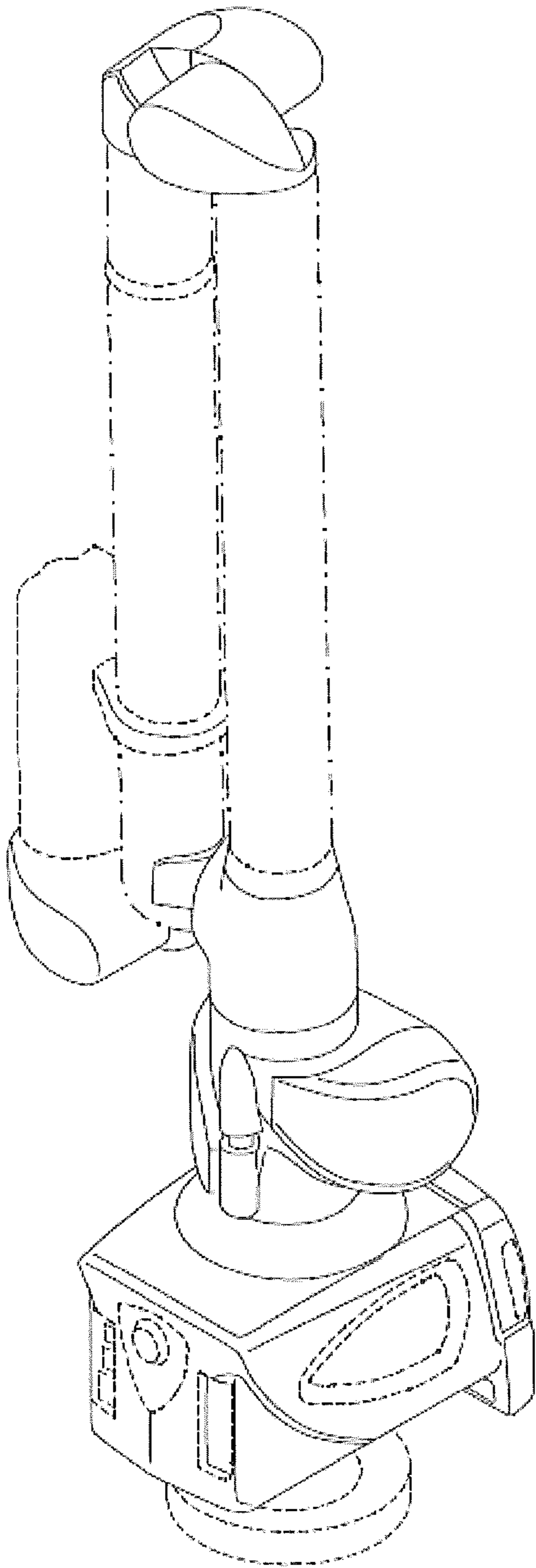


FIG. 7

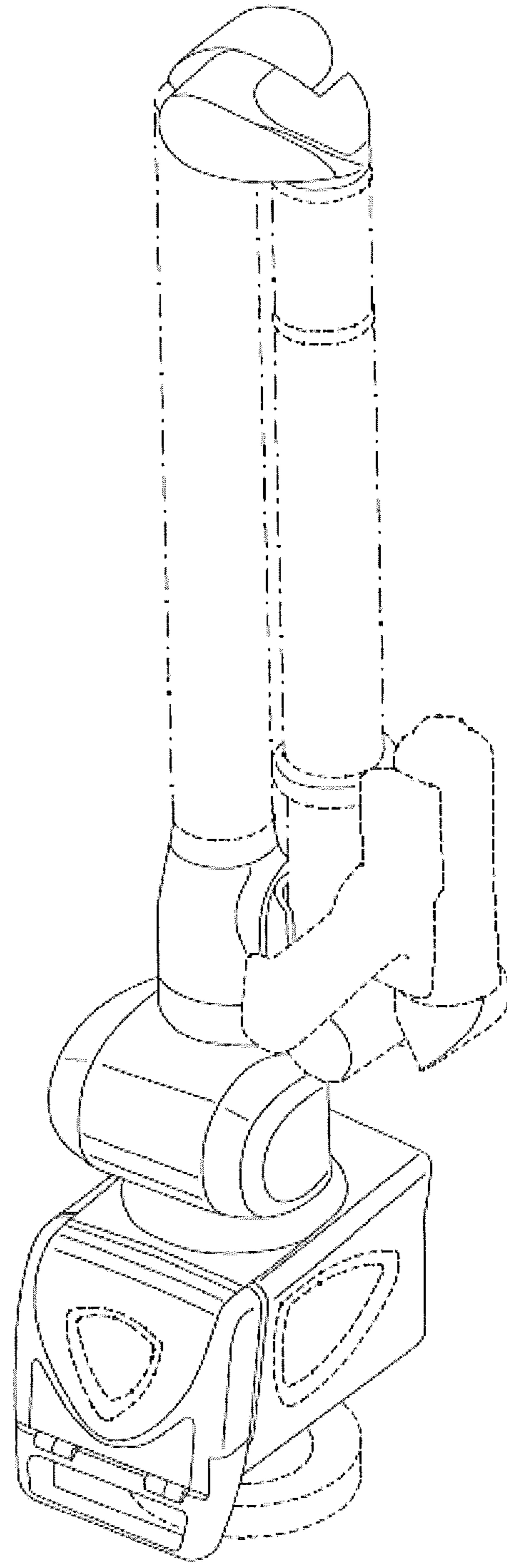


FIG. 8

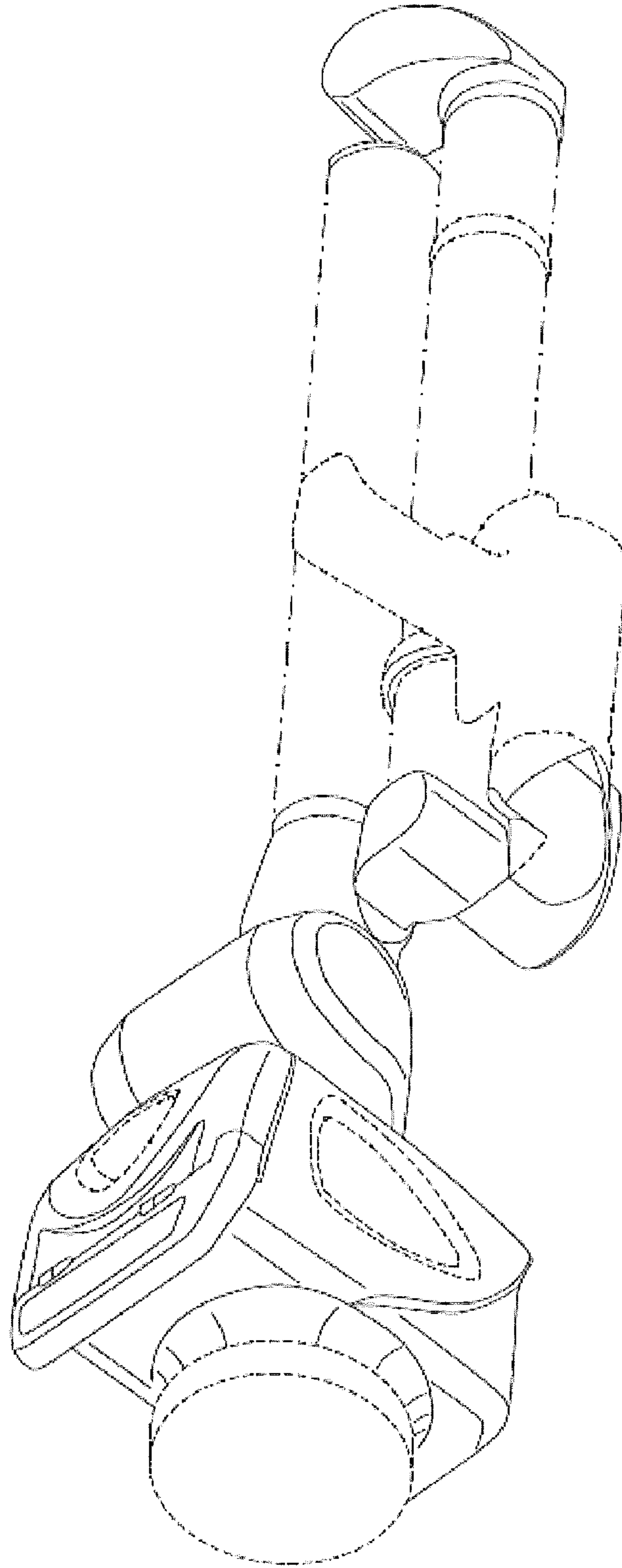


FIG. 9

UNITED STATES PATENT AND TRADEMARK OFFICE
CERTIFICATE OF CORRECTION

PATENT NO. : D662,427 S
APPLICATION NO. : 29/379170
DATED : June 26, 2012
INVENTOR(S) : Bailey et al.

Page 1 of 1

It is certified that error appears in the above-identified patent and that said Letters Patent is hereby corrected as shown below:

In the Description

Col. 2, Lines 1 – 12, please delete “FIG. 11”, and replace with “FIG. 1”.

Col. 2, Line 13, please delete “FIGS. 1 – 4, 7 – 14, 17 – 19”, and replace with “FIGS. 1 – 9”.

Col. 2, Line 16, please delete “FIG. 1 – FIG. 37”, and replace with “FIG. 1 – FIG. 9”.

Col. 2, Lines 18 – 30 should be cancelled.

Signed and Sealed this
Second Day of September, 2014



Michelle K. Lee
Deputy Director of the United States Patent and Trademark Office