

US00D662424S

(12) **United States Design Patent**
Lindsay et al.

(10) **Patent No.:** **US D662,424 S**
(45) **Date of Patent:** **** Jun. 26, 2012**

(54) **COMPONENT PART OF A CONTAINER ASSEMBLY**
(75) Inventors: **Brendan Jon Lindsay**, Auckland (NZ);
James Richard Manley, Auckland (NZ)
(73) Assignee: **Sistema Plastics Limited**, Auckland (NZ)
(**) Term: **14 Years**

6,550,630 B1 * 4/2003 Krupa 220/575
D481,910 S 11/2003 Kim
D486,991 S * 2/2004 Lee D7/357
D493,073 S 7/2004 Kim
6,783,017 B2 * 8/2004 Griffin 220/212
6,789,692 B2 9/2004 Prezelin
6,793,096 B1 9/2004 Seok
6,955,381 B2 10/2005 Parker
7,090,089 B2 8/2006 Lown
D544,762 S 6/2007 Zimmerman
D562,083 S 2/2008 Lown

(Continued)

(21) Appl. No.: **29/408,117**
(22) Filed: **Dec. 7, 2011**

Related U.S. Application Data

(63) Continuation of application No. 29/371,391, filed on Jan. 31, 2011, now Pat. No. Des. 652,265.

Foreign Application Priority Data

Jul. 30, 2010 (NZ) 413886

(51) **LOC (9) Cl.** **07-07**
(52) **U.S. Cl.** **D9/629; D7/602**
(58) **Field of Classification Search** D7/602,
D7/629, 630, 538-543, 612-615, 557; D9/424-432;
220/780-802, 675, 574-575, 326, 256.1,
220/737, 771, 669

See application file for complete search history.

(56) **References Cited**

U.S. PATENT DOCUMENTS

4,244,612 A 1/1981 Schurman
4,522,312 A 6/1985 Rathgeber
D304,658 S * 11/1989 Mattei D7/505
D312,026 S * 11/1990 Antoni et al. D7/553.6
D344,660 S * 3/1994 Krupa D7/629
5,441,164 A * 8/1995 Beck et al. 220/575
6,415,947 B1 7/2002 Kim

FOREIGN PATENT DOCUMENTS

WO 02/059007 8/2002

Primary Examiner — Terry Wallace

(74) *Attorney, Agent, or Firm* — Jacobson Holman PLLC

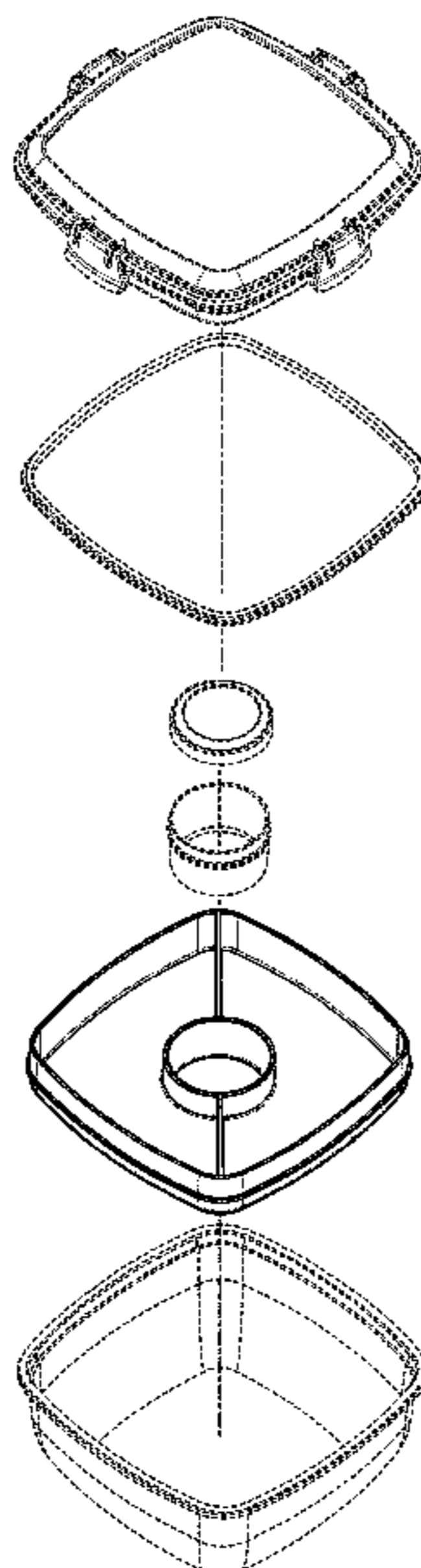
(57) **CLAIM**

The ornamental design for the component part of a container assembly, as shown and described.

DESCRIPTION

FIG. 1 is a top plan view of a container assembly in which the component part embodying our design resides;
FIG. 2 is a side elevation view of the container assembly of FIG. 1, the other three sides being identical;
FIG. 3 is a bottom view of the container assembly of FIG. 1;
FIG. 4 is a exploded perspective view from above of the container assembly showing the component part embodying our design intermediate the top and bottom portions of the container assembly of FIGS. 1-3; and,
FIG. 5 is a exploded perspective view from below showing the component parts embodying our design intermediate the top and bottom portions of the container assembly of FIGS. 1-3.
The container assembly parts shown in broken lines set forth the environment of the component part and form no part of the design to be patented.

1 Claim, 3 Drawing Sheets



US D662,424 S

Page 2

U.S. PATENT DOCUMENTS

D591,148 S 4/2009 Parikh
2003/0010783 A1 1/2003 Prezelin
2004/0084464 A1 5/2004 Koo

2005/0006390 A1 1/2005 Wang
2005/0035125 A1 2/2005 Bae
2007/0062965 A1* 3/2007 Anderson et al. 220/912

* cited by examiner

Fig. 1

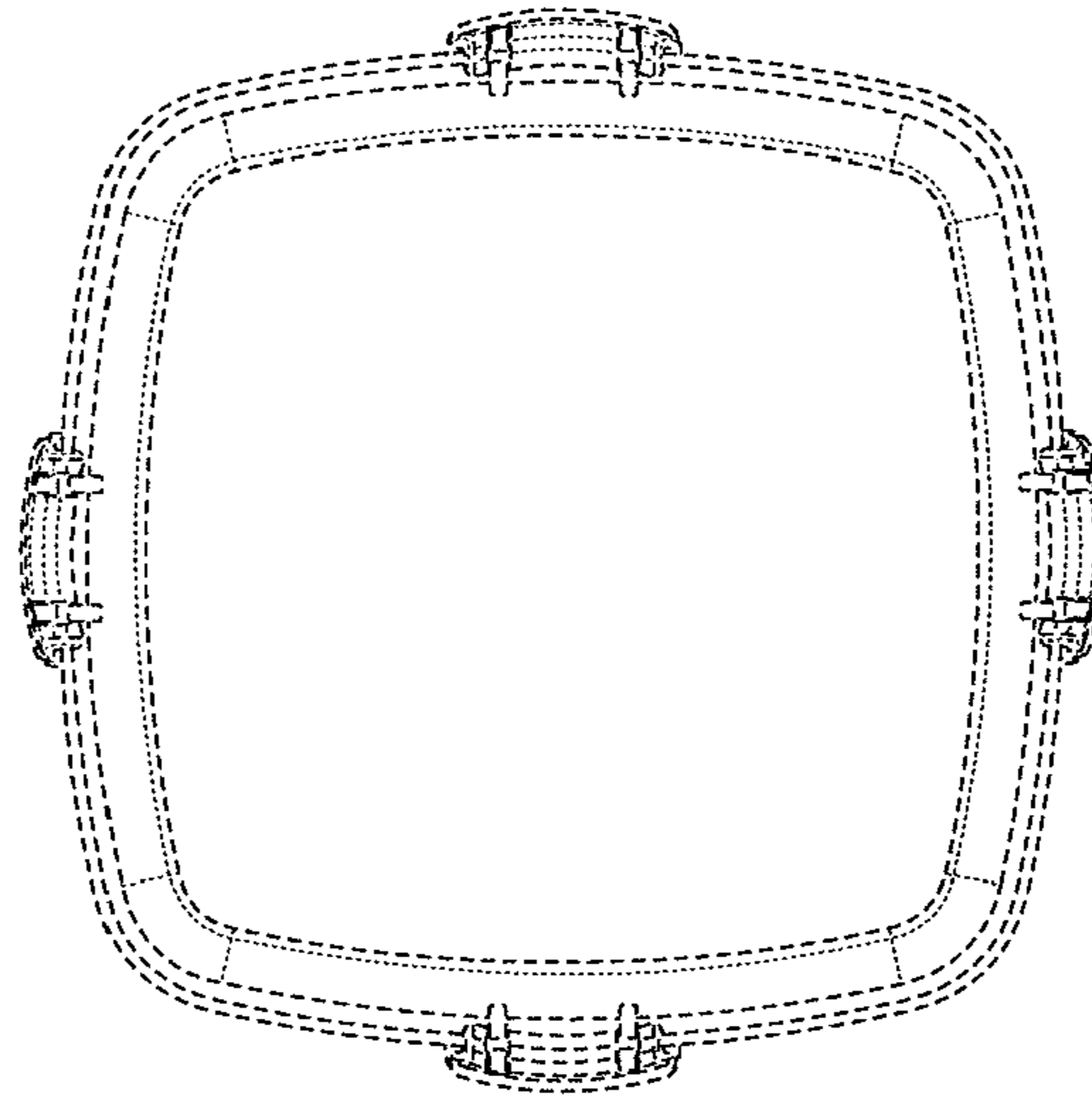


Fig. 2

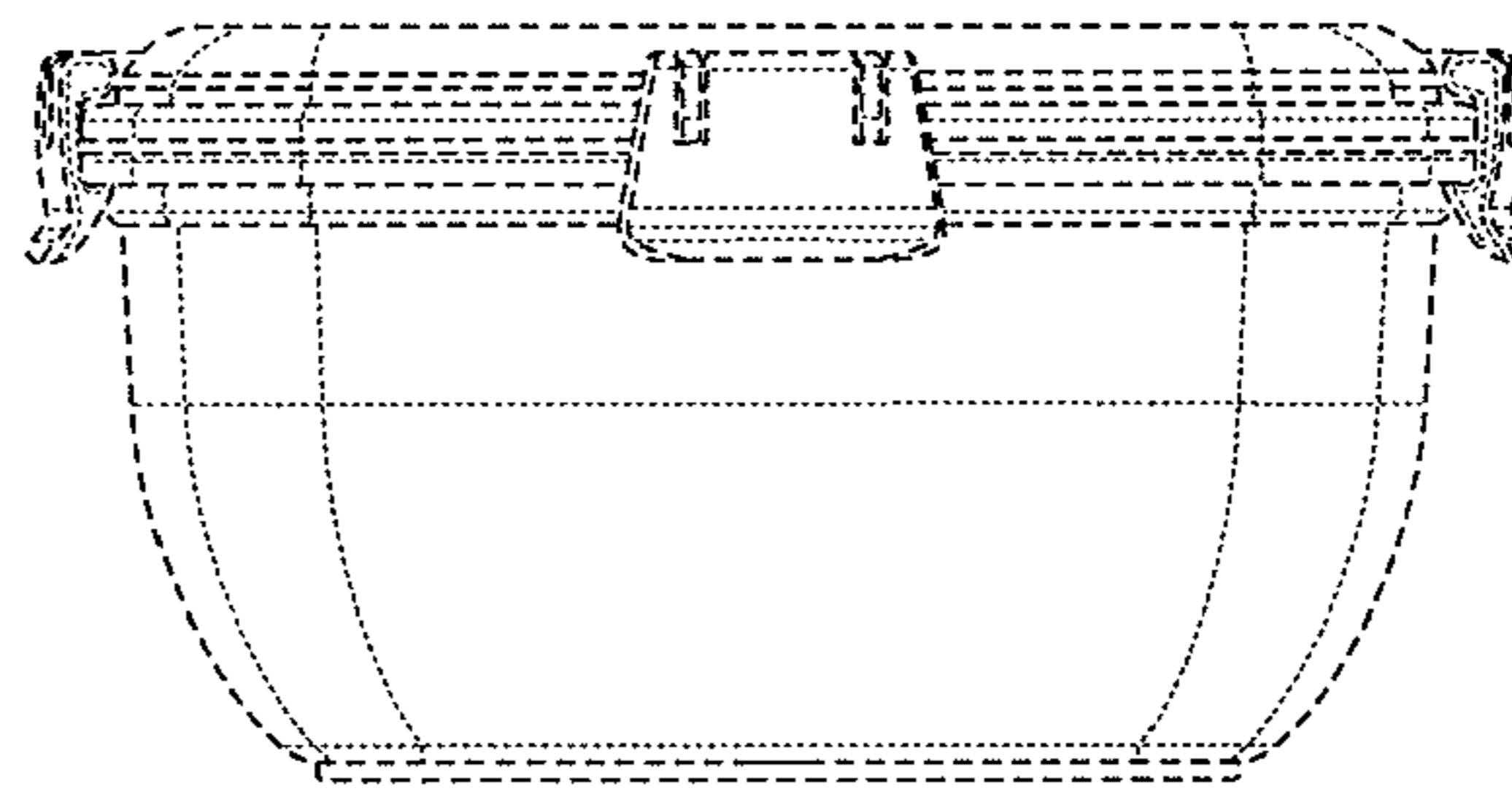
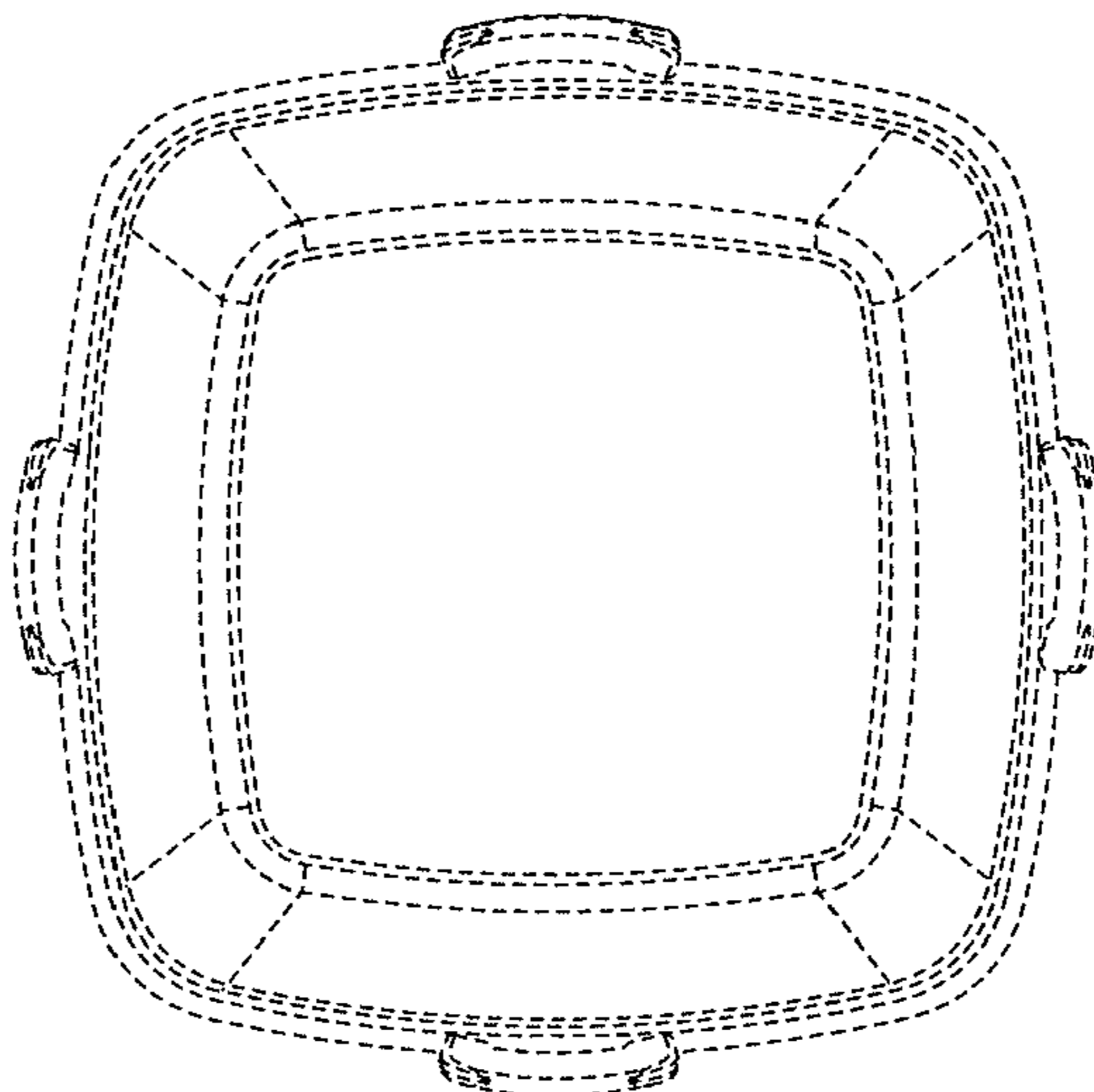


Fig. 3



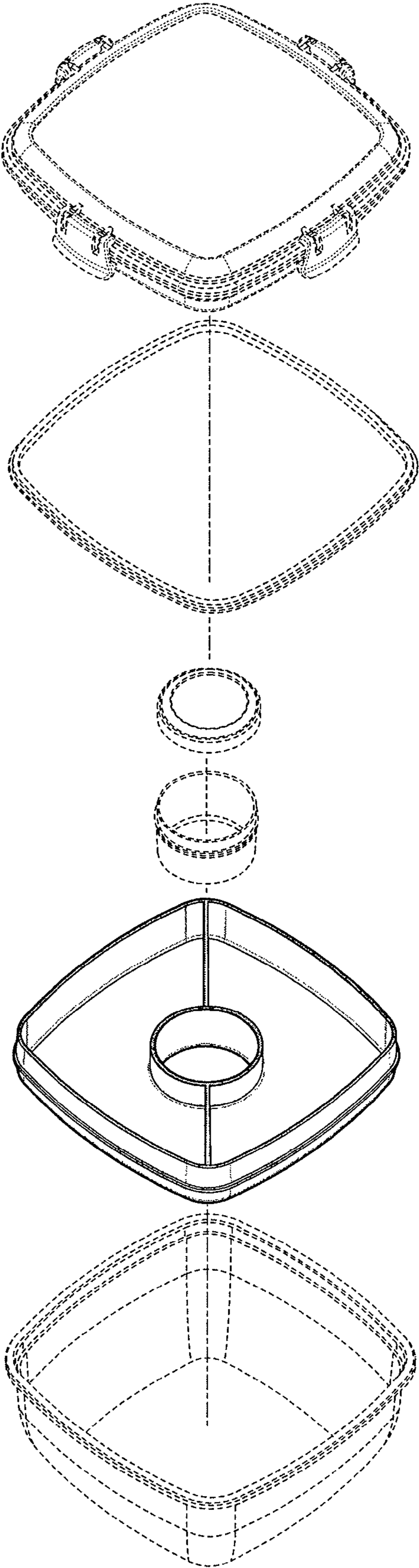


Fig. 4

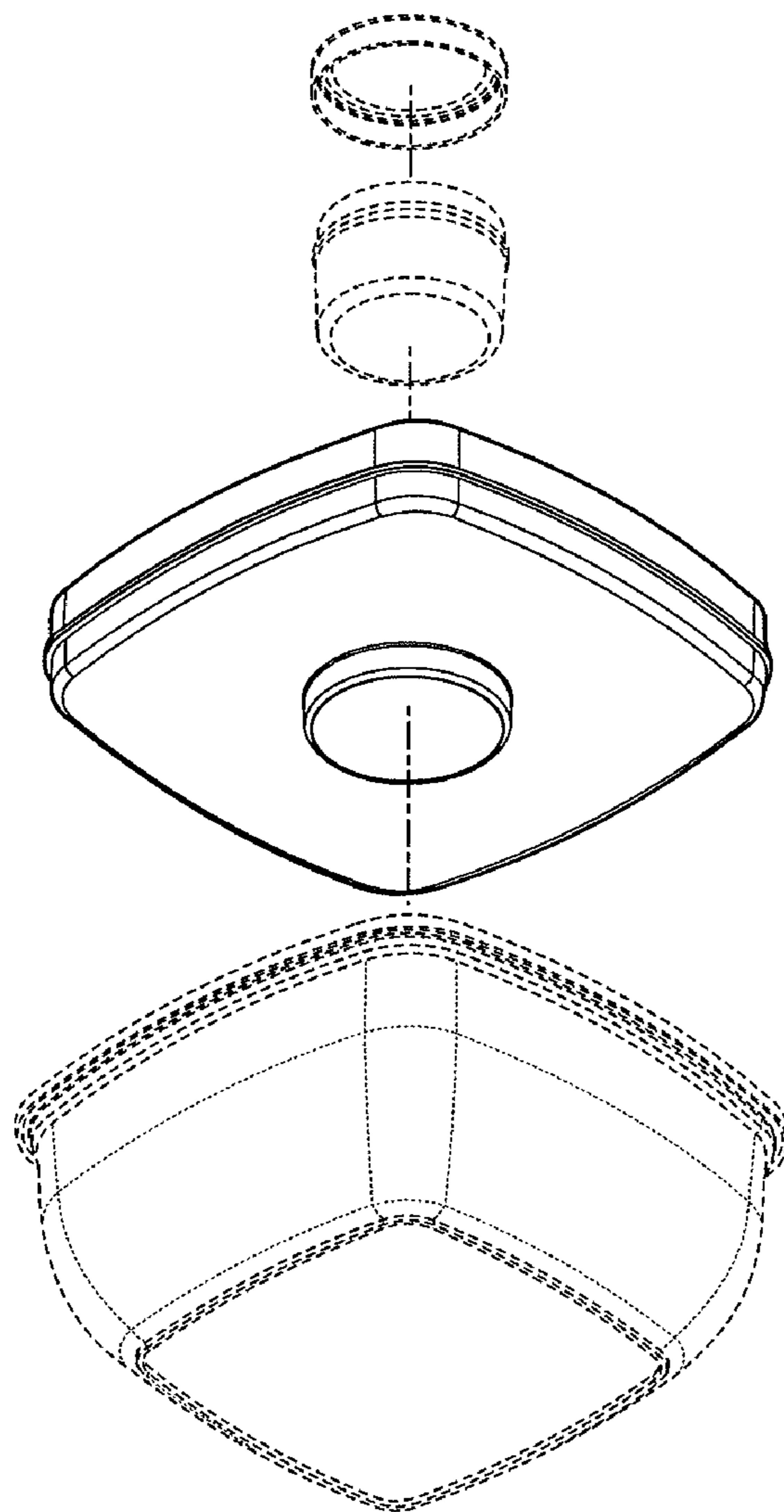
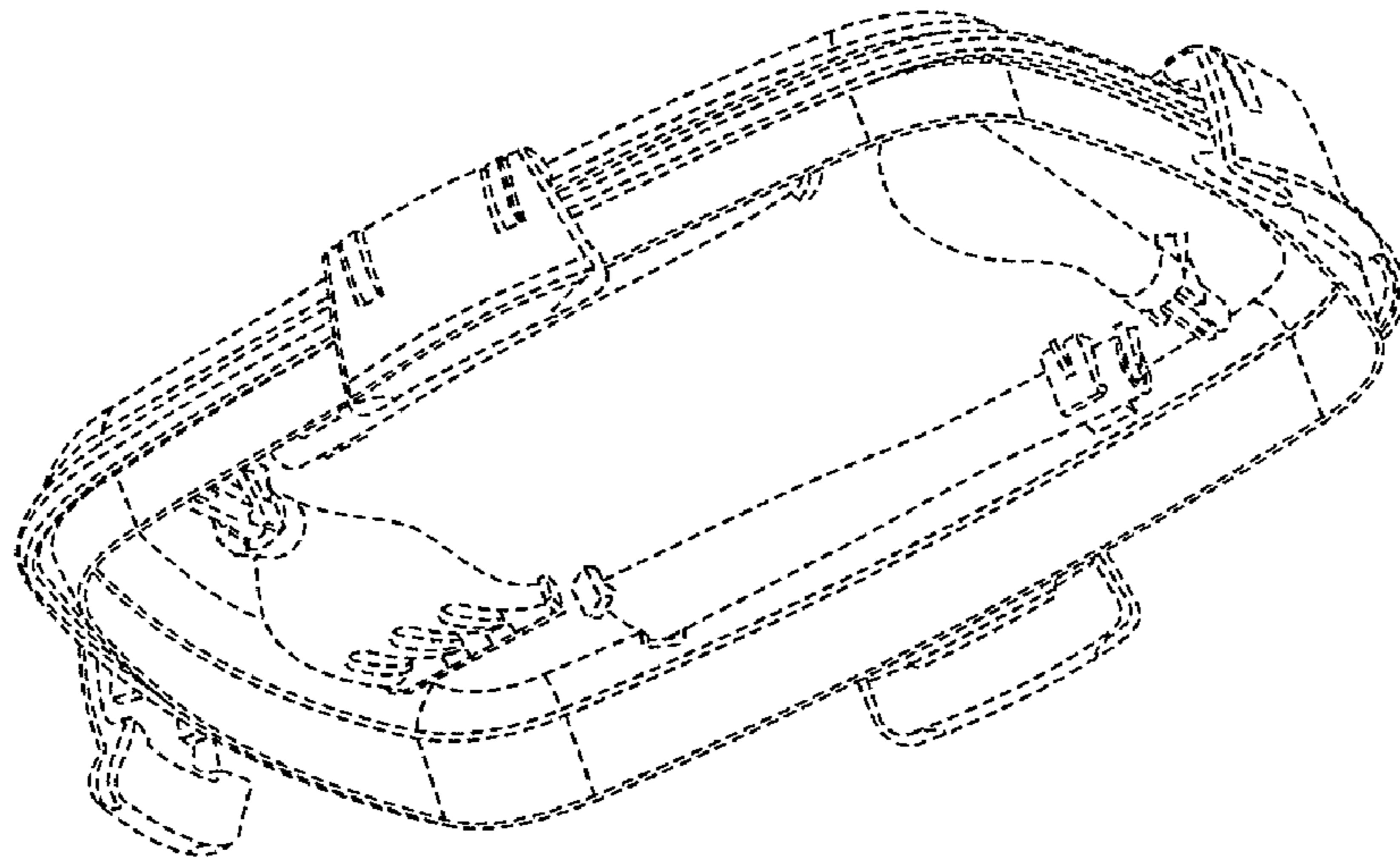


Fig. 5