



US00D662421S

(12) **United States Design Patent**
Dorn

(10) **Patent No.:** **US D662,421 S**
(45) **Date of Patent:** **** Jun. 26, 2012**

(54) **PLASTIC CONTAINER**

(75) **Inventor:** **James Christopher Dorn**, Norton, OH (US)

(73) **Assignee:** **Plastipak Packaging, Inc.**, Plymouth, MI (US)

(**) **Term:** **14 Years**

(21) **Appl. No.:** **29/351,360**

(22) **Filed:** **Dec. 4, 2009**

(51) **LOC (9) Cl.** **09-01**

(52) **U.S. Cl.** **D9/531**

(58) **Field of Classification Search** D9/531,
D9/520, 528; 206/508, 509; 215/385, 398
See application file for complete search history.

(56) **References Cited**

U.S. PATENT DOCUMENTS

D203,226	S	*	12/1965	Schmur	D9/531
D213,821	S	*	4/1969	Platte	D9/531
3,708,082	A	*	1/1973	Platte	215/385
D235,733	S	*	7/1975	Piatta	D9/531
D282,527	S		2/1986	Larson et al.		
D315,672	S	*	3/1991	Peykoff	D9/528
D323,981	S		2/1992	Satterfield		
D332,747	S	*	1/1993	Darr et al.	D9/520
D374,179	S	*	10/1996	Lathrop et al.	D9/528
D392,188	S		3/1998	Darr et al.		
D408,739	S		4/1999	Satterfield et al.		
D409,494	S	*	5/1999	Frazer	D9/520
D423,935	S	*	5/2000	Frazer	D9/520
6,588,612	B1	*	7/2003	Dorn et al.	215/10
D478,288	S	*	8/2003	Frazer	D9/527
D479,468	S		9/2003	Dorn et al.		
D481,318	S	*	10/2003	Iizuka et al.	D9/531
D488,067	S		4/2004	Dorn et al.		
D493,109	S		7/2004	Miller		

D496,864	S		10/2004	Reynolds		
D499,339	S		12/2004	Reynolds et al.		
D511,462	S	*	11/2005	Haley et al.	D9/531
6,964,359	B1	*	11/2005	Darr et al.	222/570
6,974,047	B2	*	12/2005	Kelley et al.	215/381
7,051,891	B2	*	5/2006	Darr et al.	215/383
D528,008	S		9/2006	Lovelace, Jr. et al.		
D530,212	S	*	10/2006	Darr et al.	D9/543
7,213,719	B2	*	5/2007	Pedmo et al.	215/381
D581,277	S	*	11/2008	Horstman et al.	D9/528
D604,623	S	*	11/2009	Baker, III	D9/531
7,631,775	B2	*	12/2009	Heisner et al.	215/381
D612,734	S	*	3/2010	Sarsfield-Thomas et al.	D9/516
D623,952	S	*	9/2010	Yourist et al.	D9/516
D627,653	S		11/2010	Moss et al.		
D628,073	S		11/2010	Miller et al.		

* cited by examiner

Primary Examiner — Paula Greene

(74) *Attorney, Agent, or Firm* — Dykema Gossett PLLC

(57) **CLAIM**

The ornamental design for a plastic container, as shown and described.

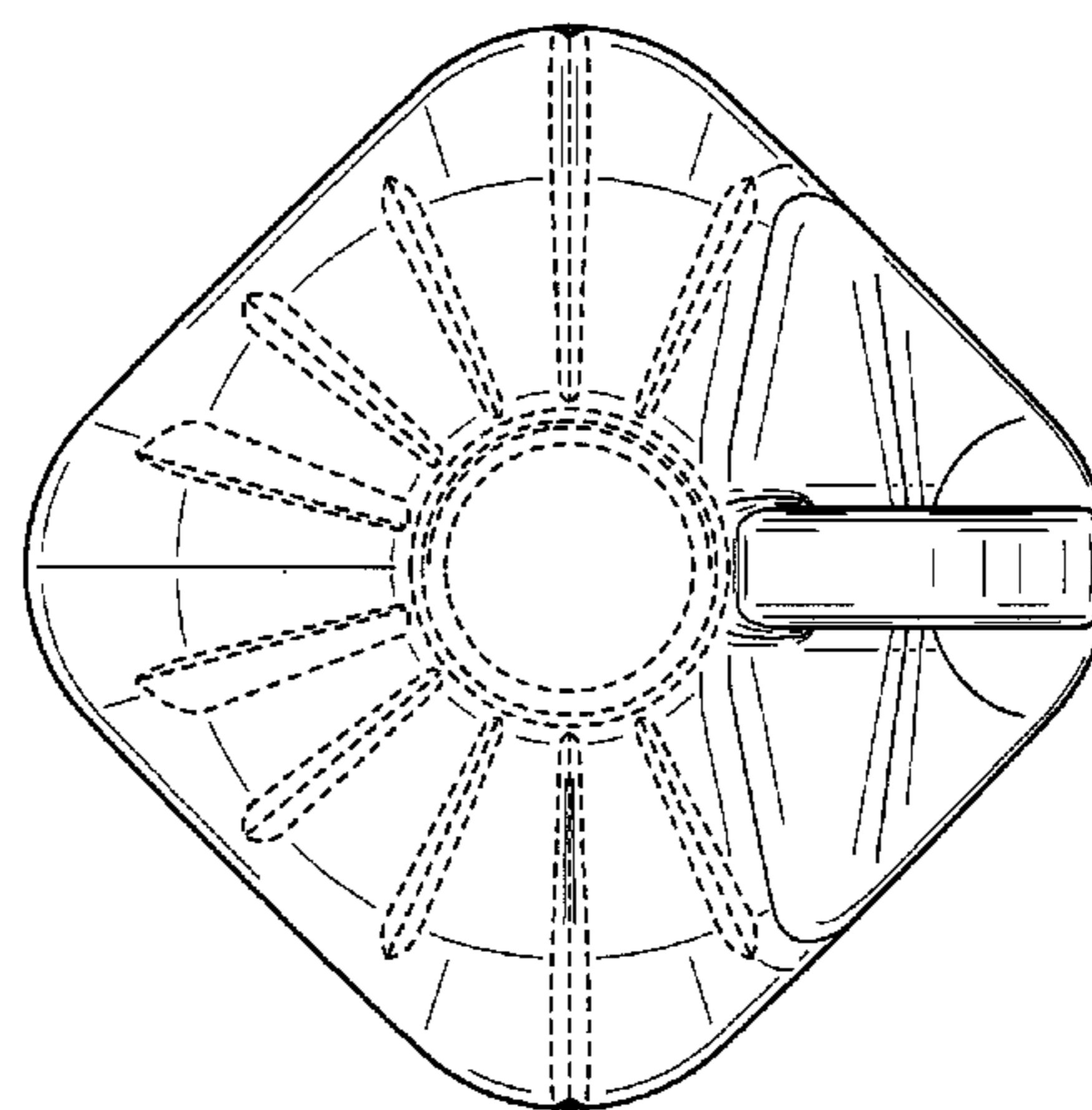
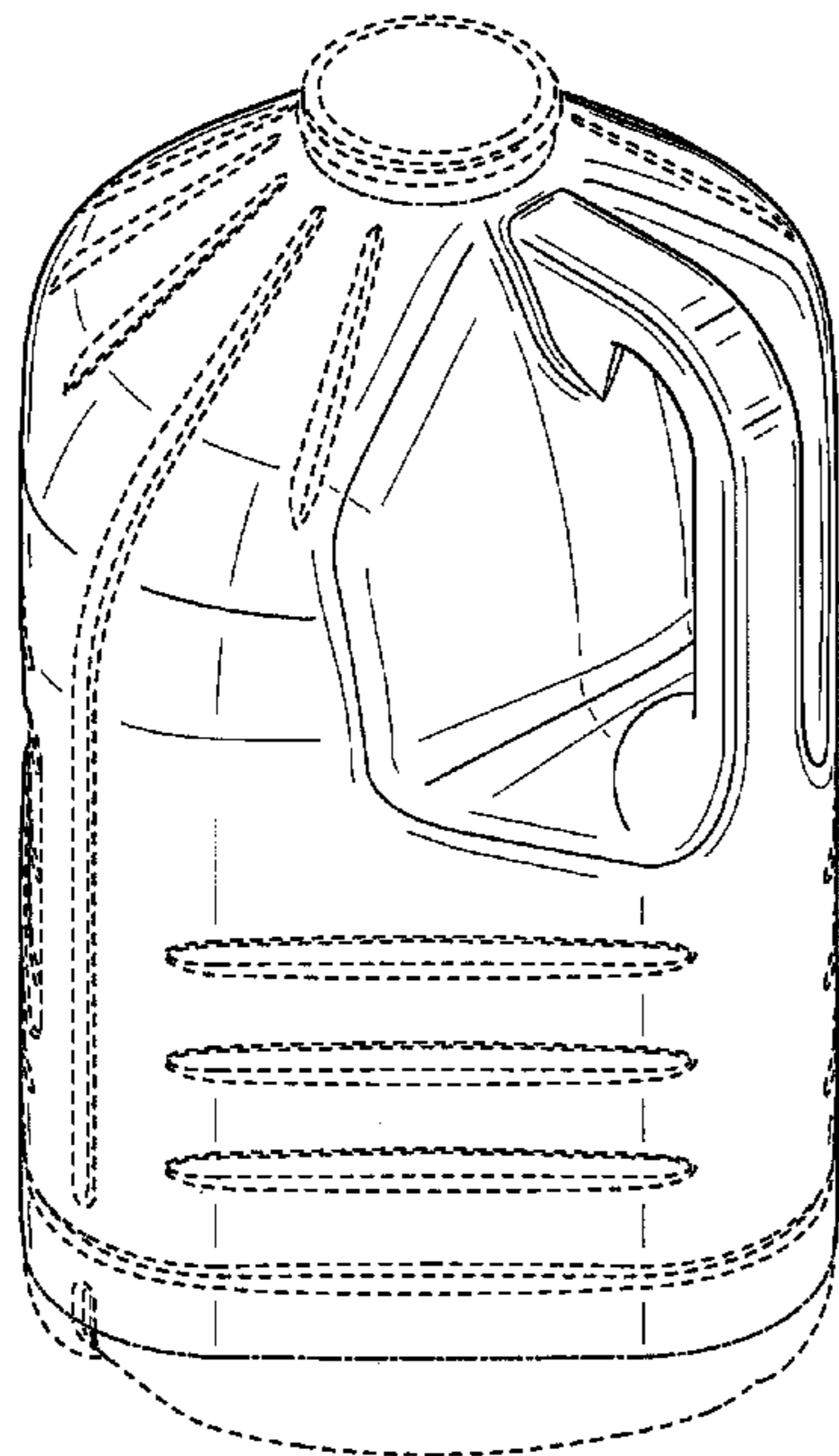
DESCRIPTION

FIG. 1 is a top-rear-right perspective view of the design;
FIG. 2 is a front elevational view thereof;
FIG. 3 is a rear elevational view thereof;
FIG. 4 is a right side elevational view thereof;
FIG. 5 is a left side elevational view thereof;
FIG. 6 is a top plan view thereof; and,
FIG. 7 is a bottom plan view thereof.

The dash-dash-dash-dash broken lines shown in the drawing views are for environmental purposes only and form no part of the claimed design.

The dot-dash-dot-dash broken lines shown in the drawings represent the boundary lines of the claimed design.

1 Claim, 7 Drawing Sheets



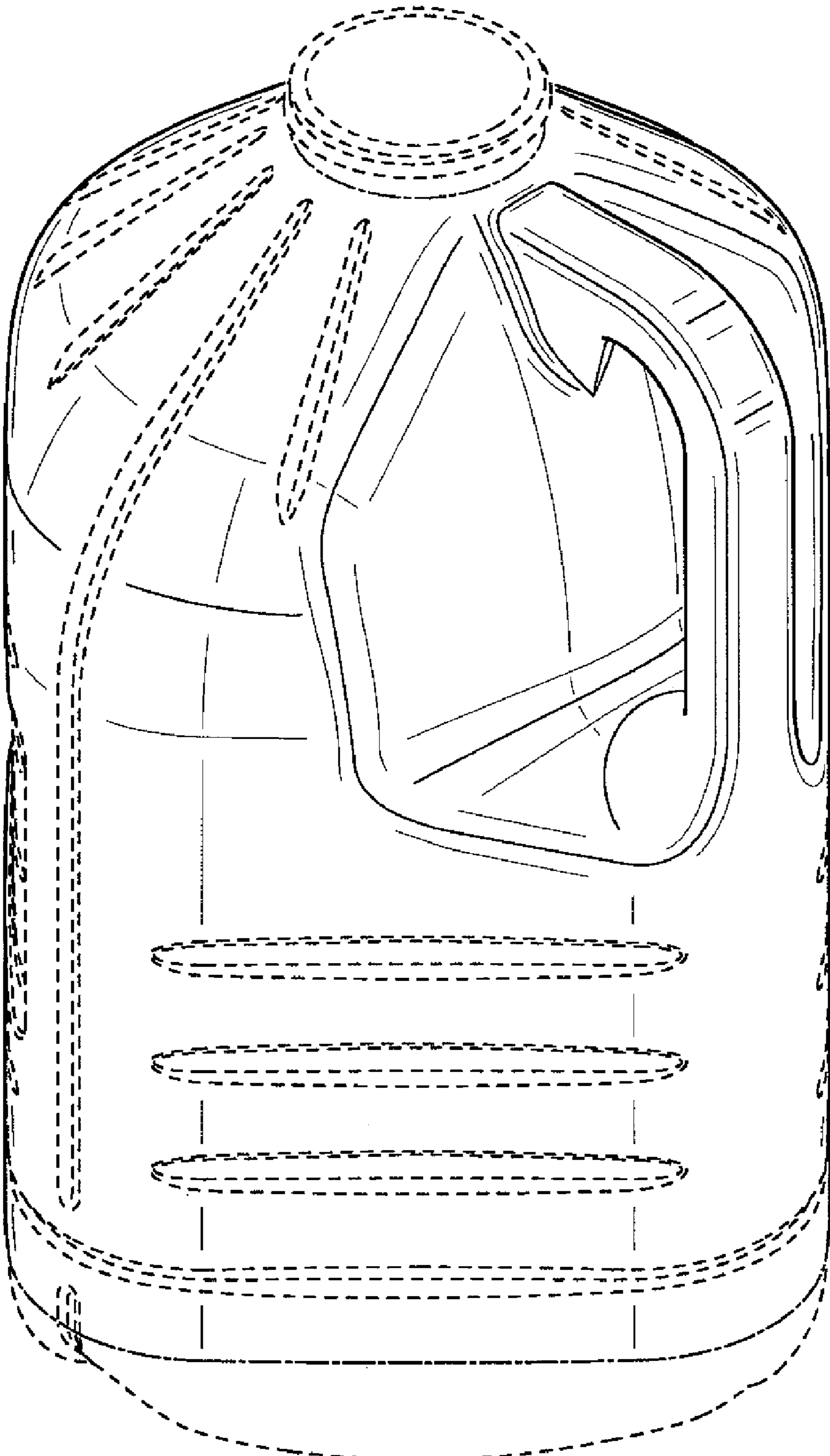


FIG. 1

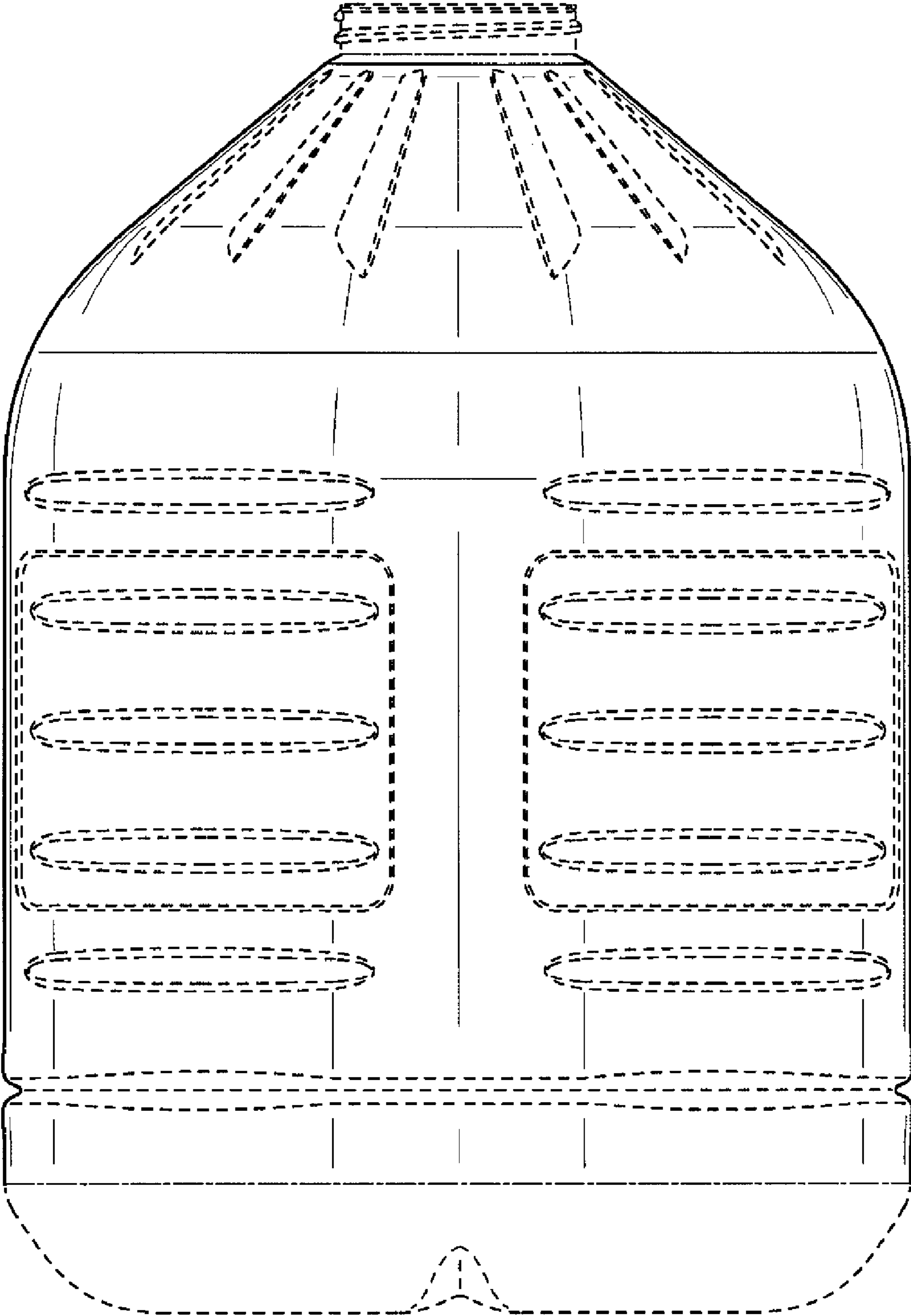


FIG. 2

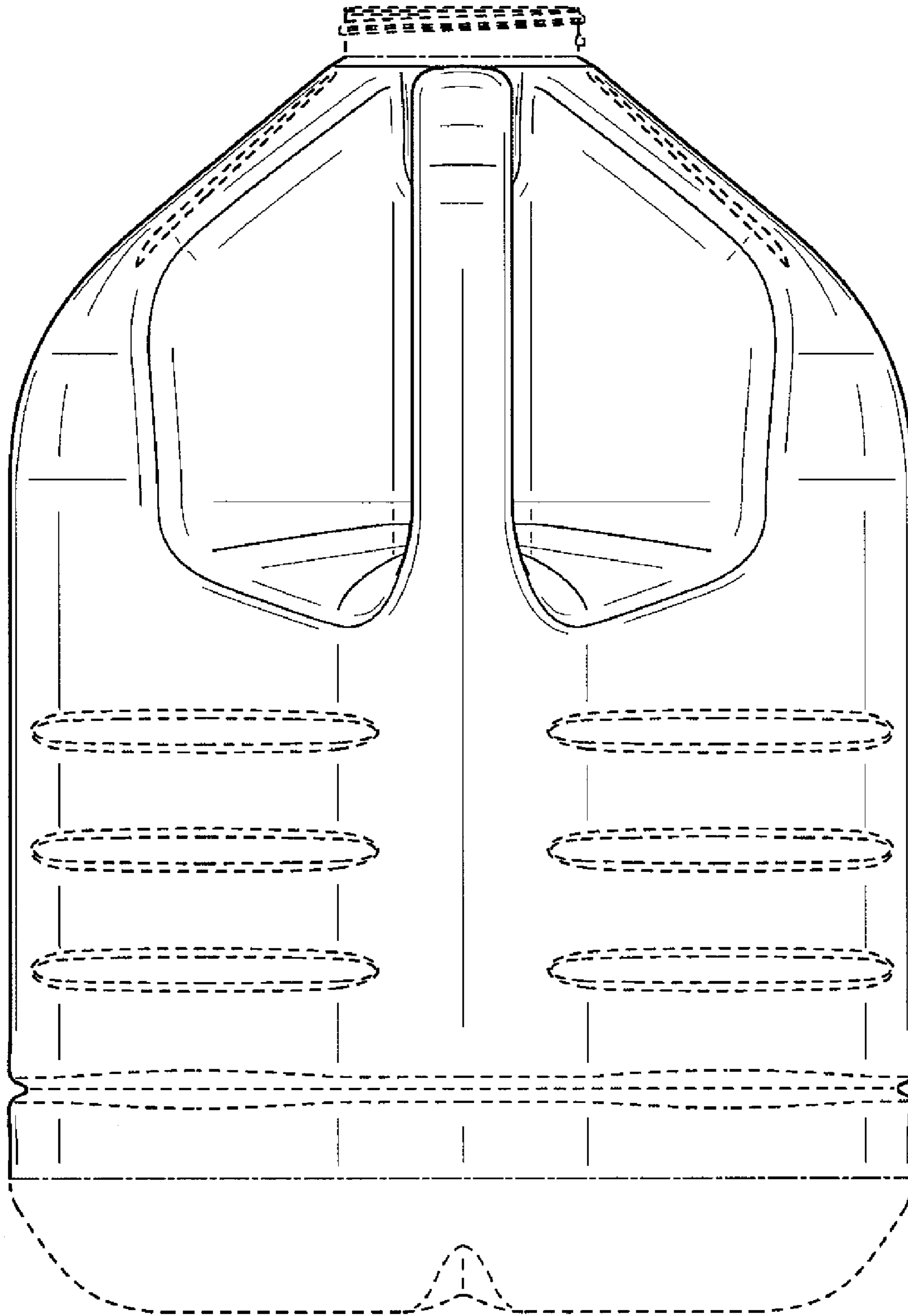


FIG. 3

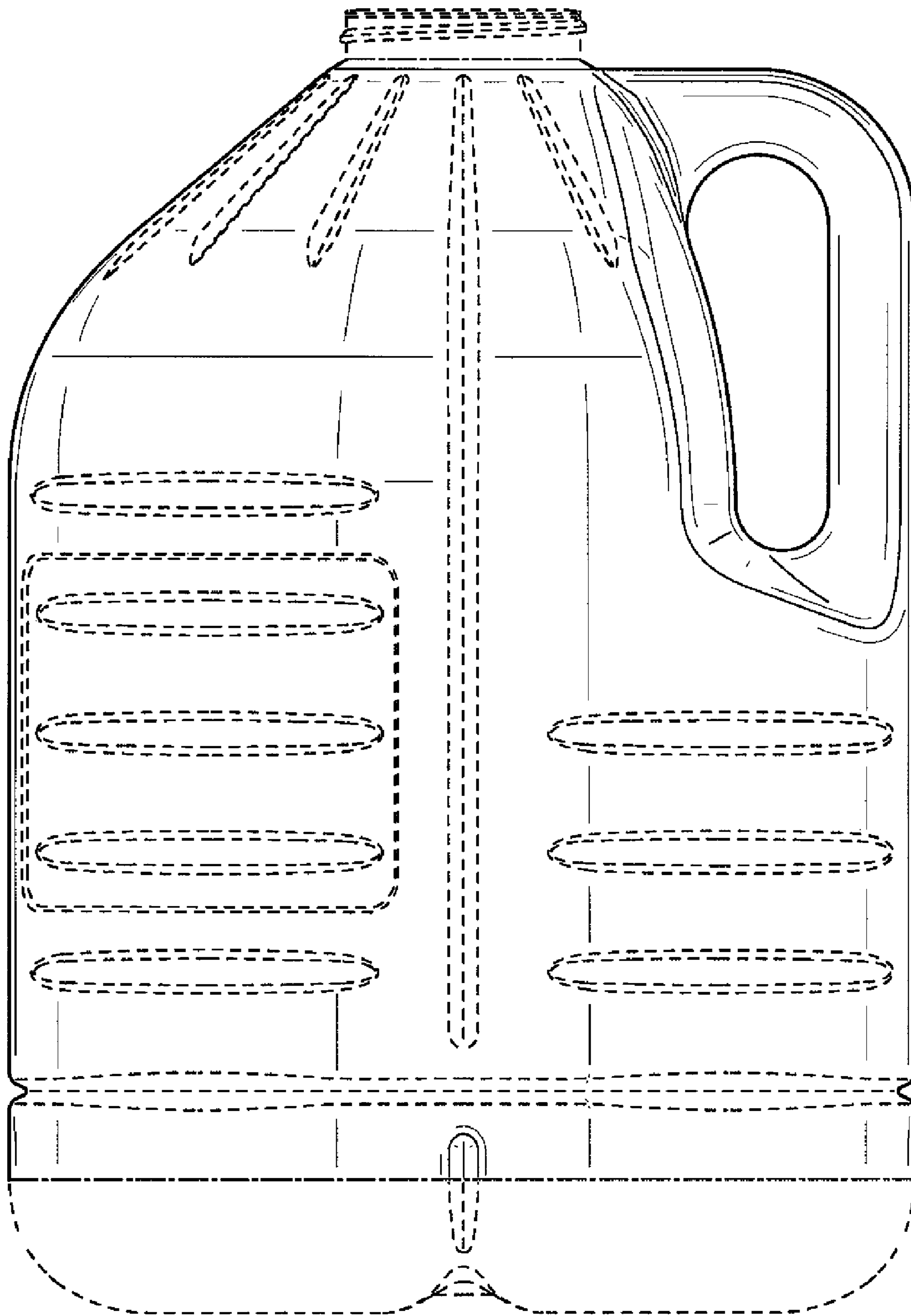


FIG. 4

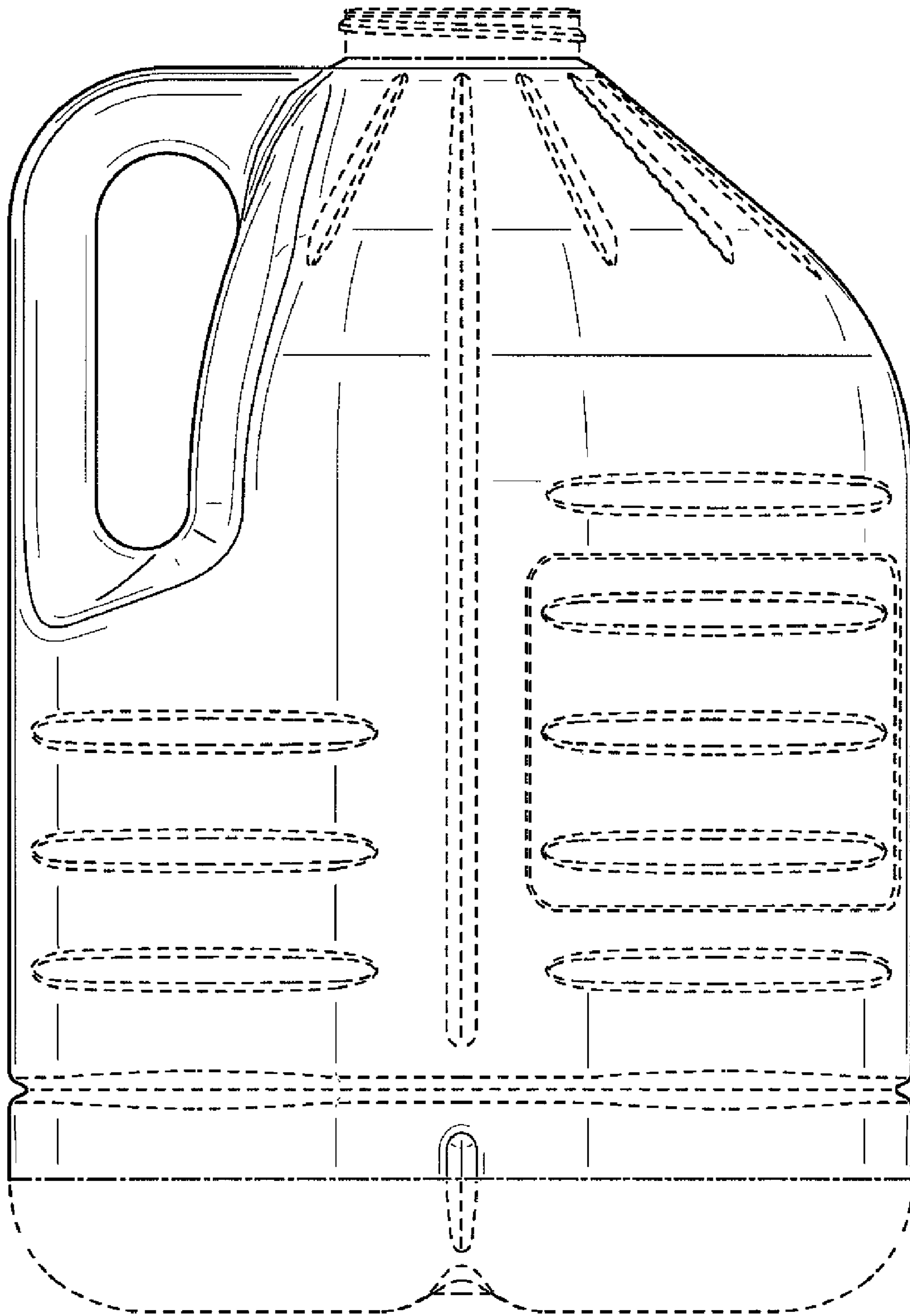


FIG. 5

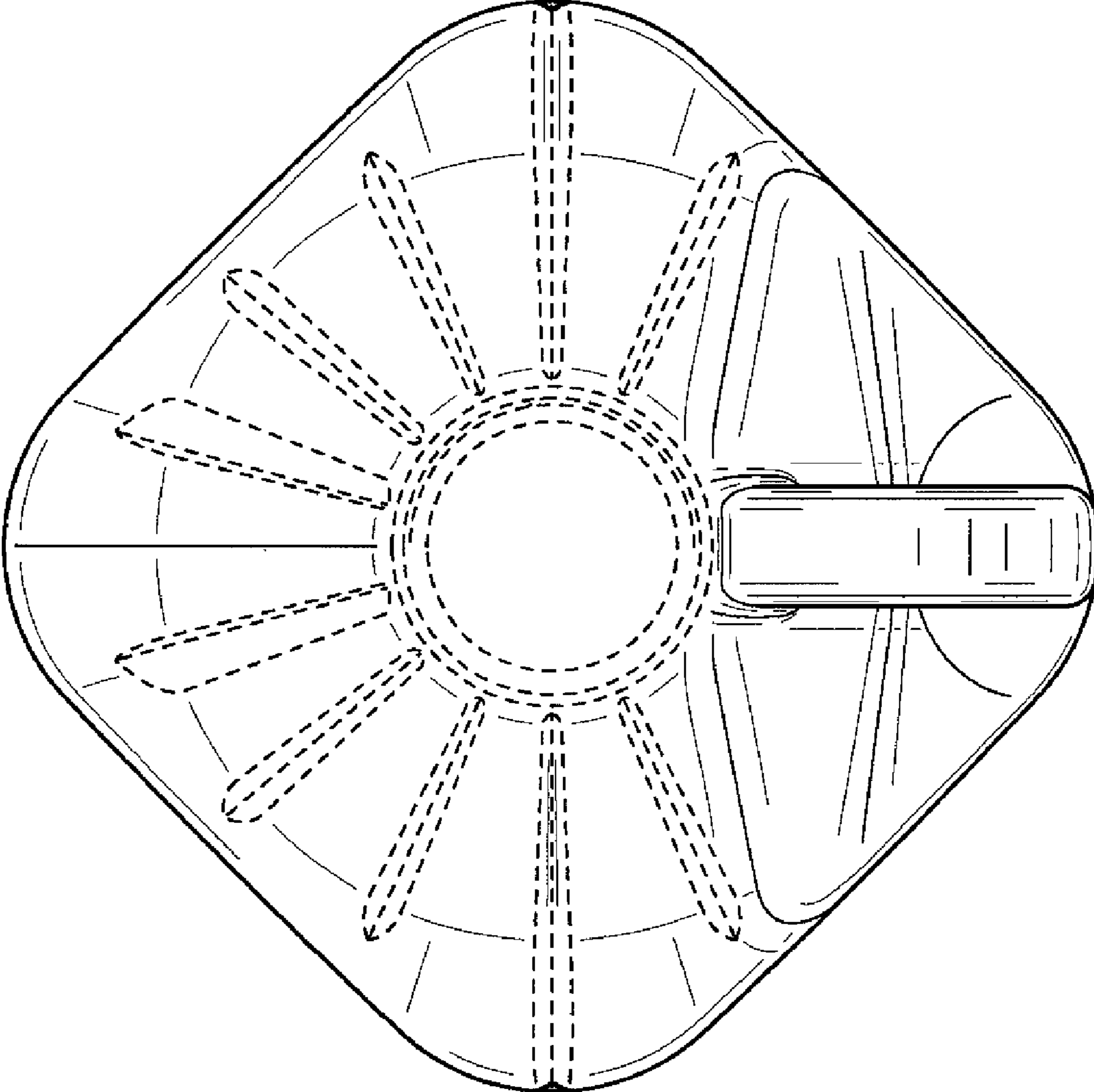


FIG. 6

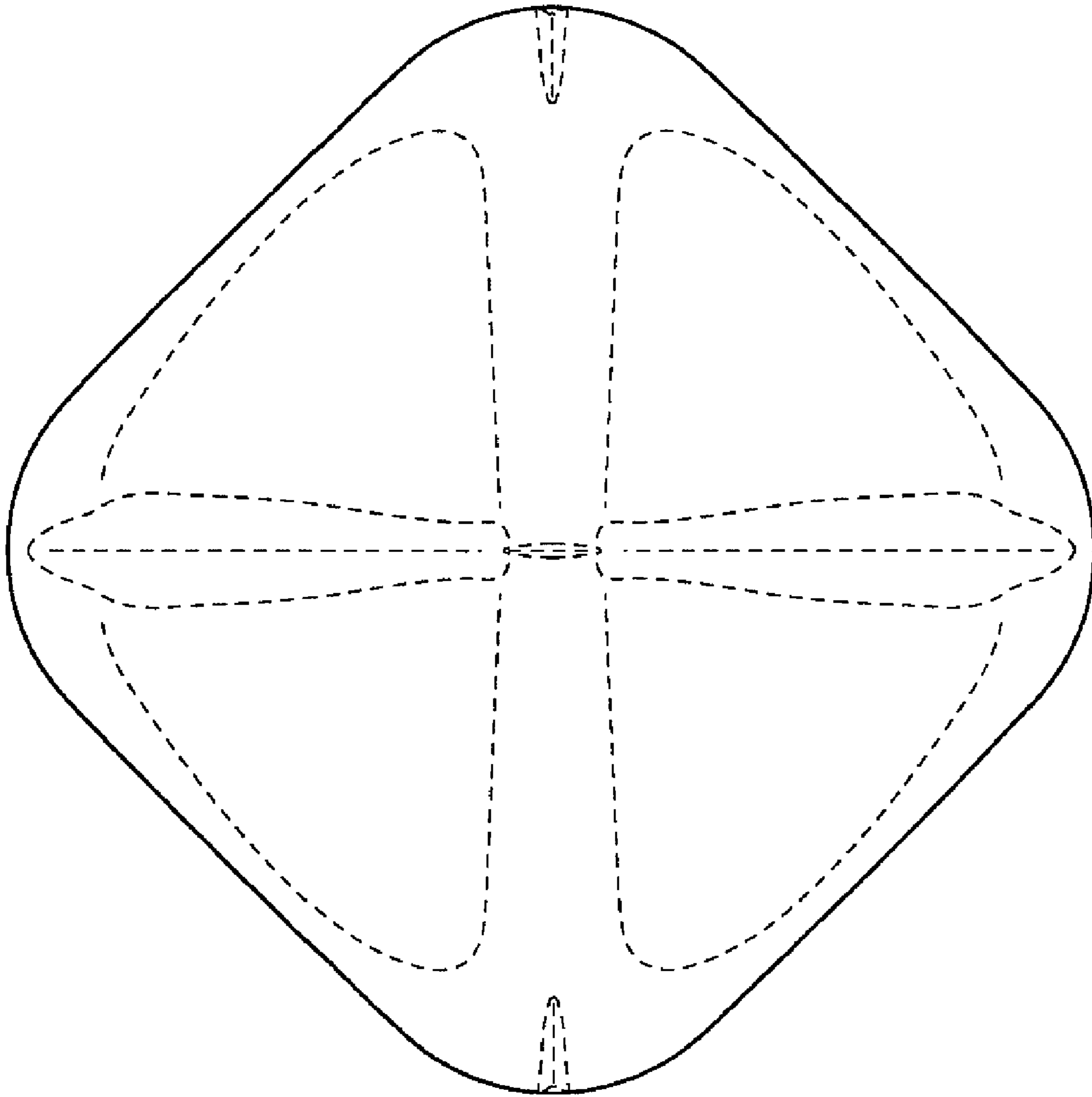


FIG. 7