



US00D662413S

(12) **United States Design Patent**
Jozwiak et al.

(10) **Patent No.:** **US D662,413 S**
(45) **Date of Patent:** **** Jun. 26, 2012**

(54) **PACKAGE OPENING**

(75) Inventors: **Cynthia Jozwiak**, Racine, WI (US);
Patricia A. Williams, Racine, WI (US)

(73) Assignee: **S.C. Johnson & Son, Inc.**, Racine, WI (US)

(**) Term: **14 Years**

(21) Appl. No.: **29/389,634**

(22) Filed: **Apr. 14, 2011**

(51) **LOC (9) Cl.** **09-07**

(52) **U.S. Cl.** **D9/434**

(58) **Field of Classification Search** D9/414,
D9/415, 416, 417, 418-434, 435, 457, 707,
D9/715, 718, 721, 722, 737, 756; D20/42;
D3/201-203.8, 205, 206, 215, 269, 282, 302,
D3/315; 206/385, 443, 446, 461, 471, 475,
206/703, 780, 781, 806

See application file for complete search history.

(56) **References Cited**

U.S. PATENT DOCUMENTS

D596,495 S * 7/2009 Dodd D9/707
D646,985 S * 10/2011 Roesler D9/756
D656,015 S * 3/2012 Norman et al. D9/434
D656,019 S * 3/2012 Norman et al. D9/435

OTHER PUBLICATIONS

The Glade Fragrance Collection Candle sold by S.C. Johnson & Son, Inc. (see the attached 2 pages of colored photos labeled: CandleArt).

* cited by examiner

Primary Examiner — Susan Bennett Hattan
Assistant Examiner — Barbara B Lohr

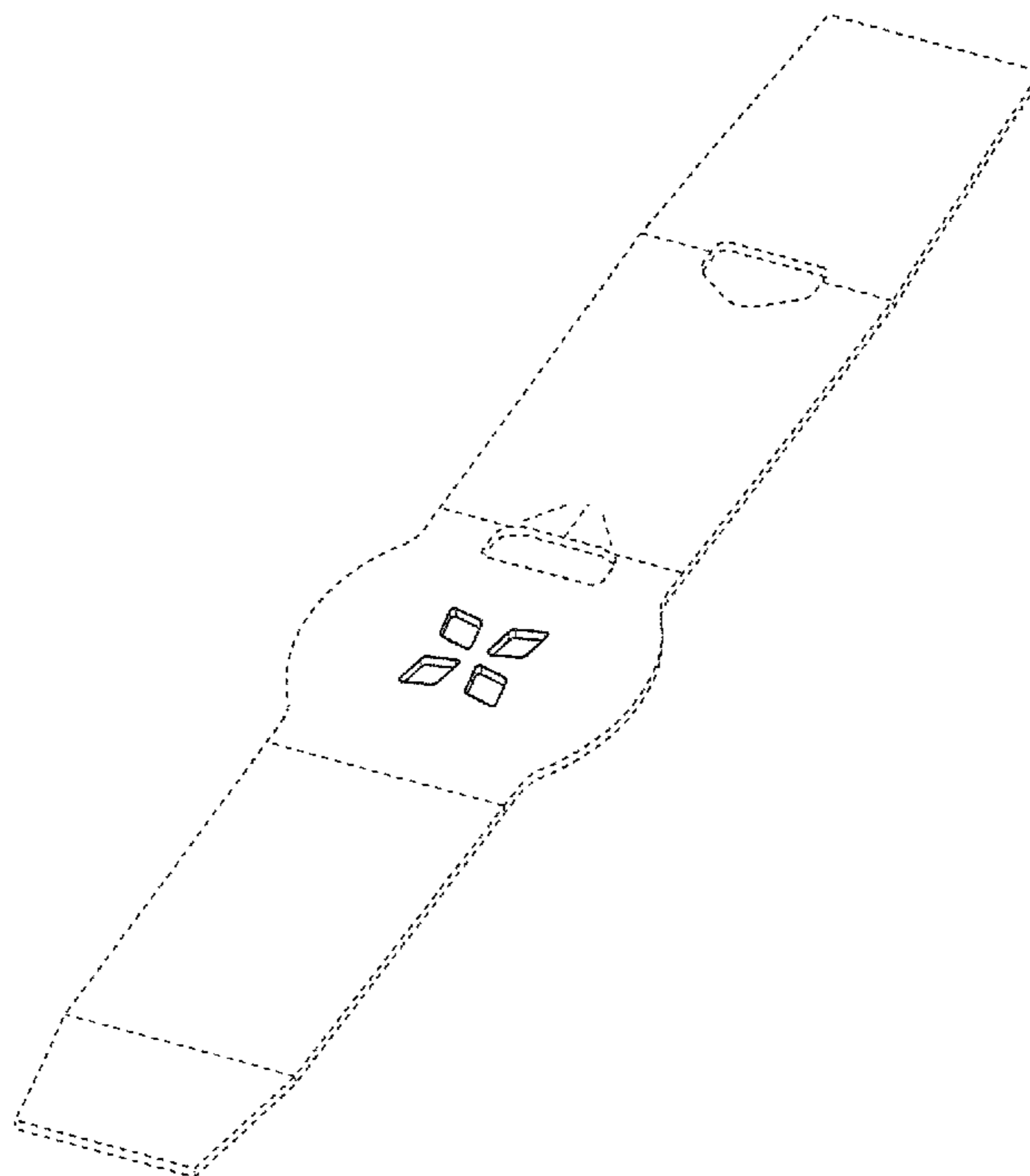
(57) **CLAIM**

The ornamental design for a package opening, as shown and described.

DESCRIPTION

FIG. 1 is a perspective view of a first embodiment of a package opening;
FIG. 2 is a top plan view of a package opening thereof;
FIG. 3 is a right side elevational view, the left side view being a mirror image thereof;
FIG. 4 is a front elevational view, the rear view being a mirror image thereof;
FIG. 5 is a perspective view thereof;
FIG. 6 is a top plan view thereof;
FIG. 7 is a perspective view of a second embodiment of a package opening;
FIG. 8 is a top plan view thereof;
FIG. 9 is a right side elevational view, the left side view being a mirror image thereof;
FIG. 10 is a front elevational view, the rear view being a mirror image thereof;
FIG. 11 is a perspective view thereof; and,
FIG. 12 is a top plan view thereof.
The broken lines in the figures are included to show visible environmental structure but are not to be considered part of the claimed design.

1 Claim, 6 Drawing Sheets



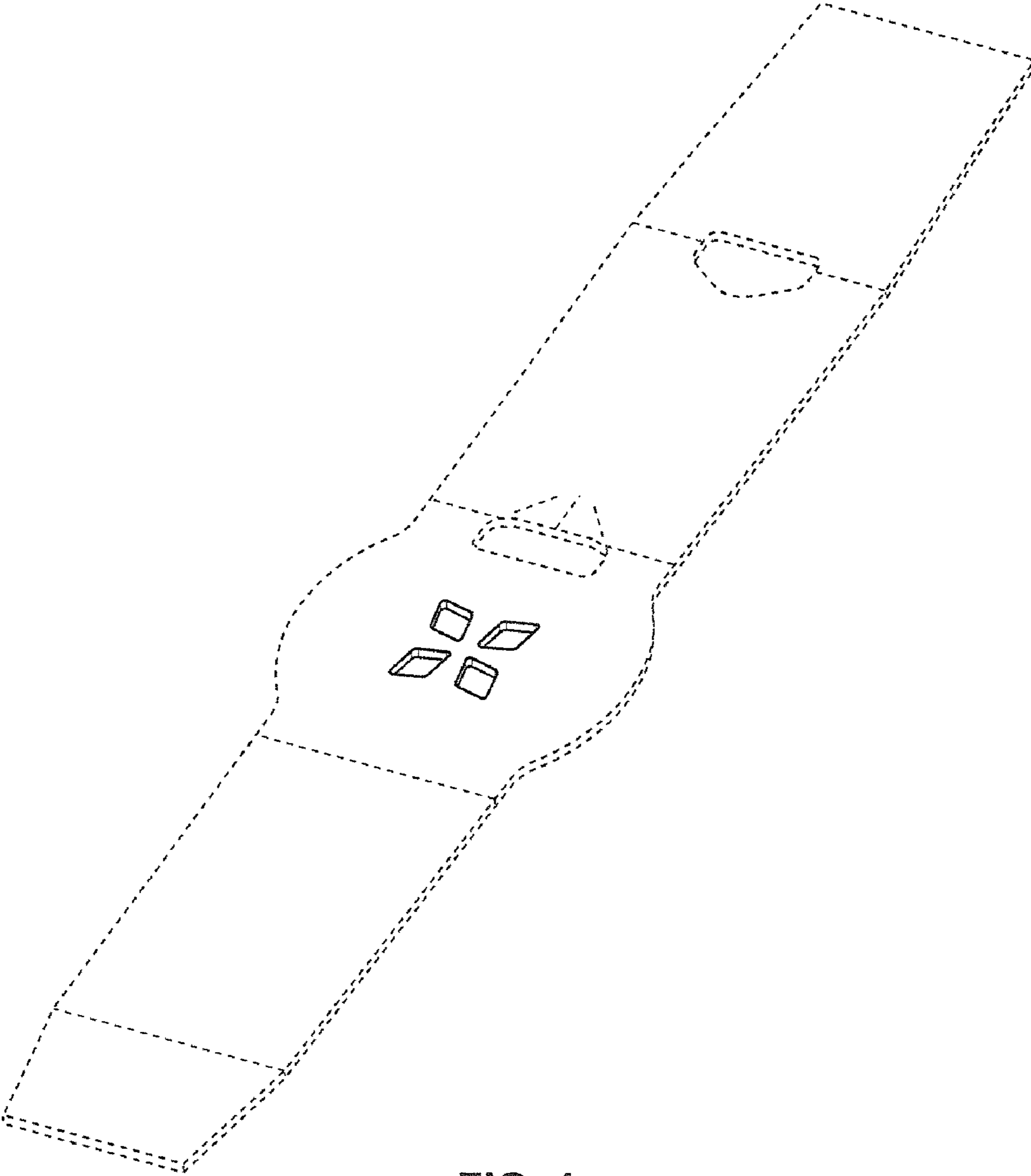


FIG. 1

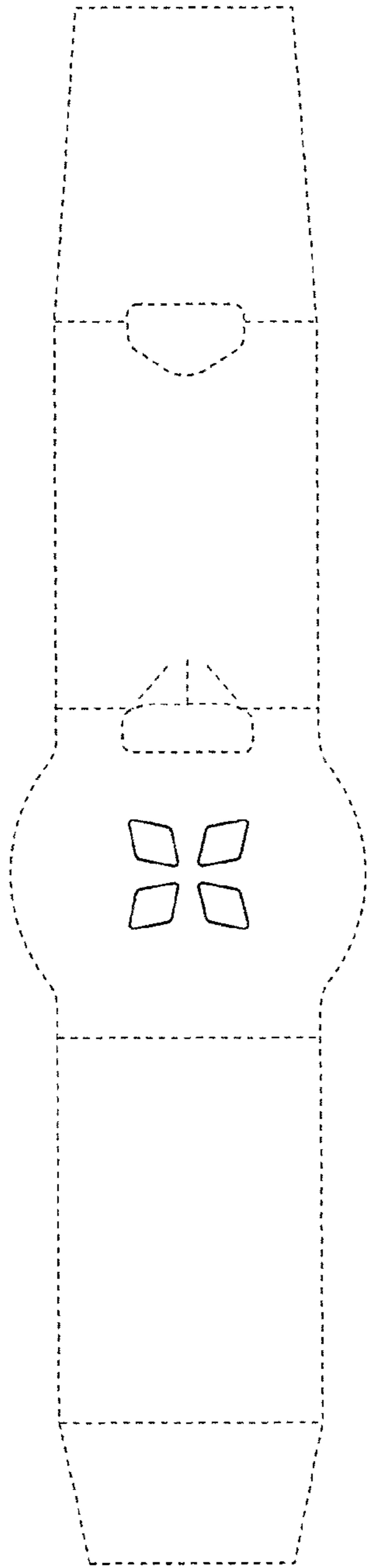


FIG. 2

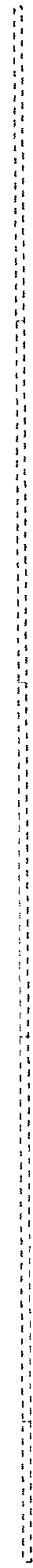


FIG. 3

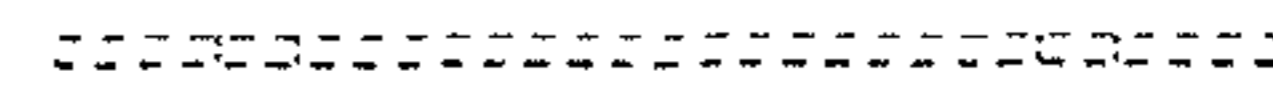


FIG. 4

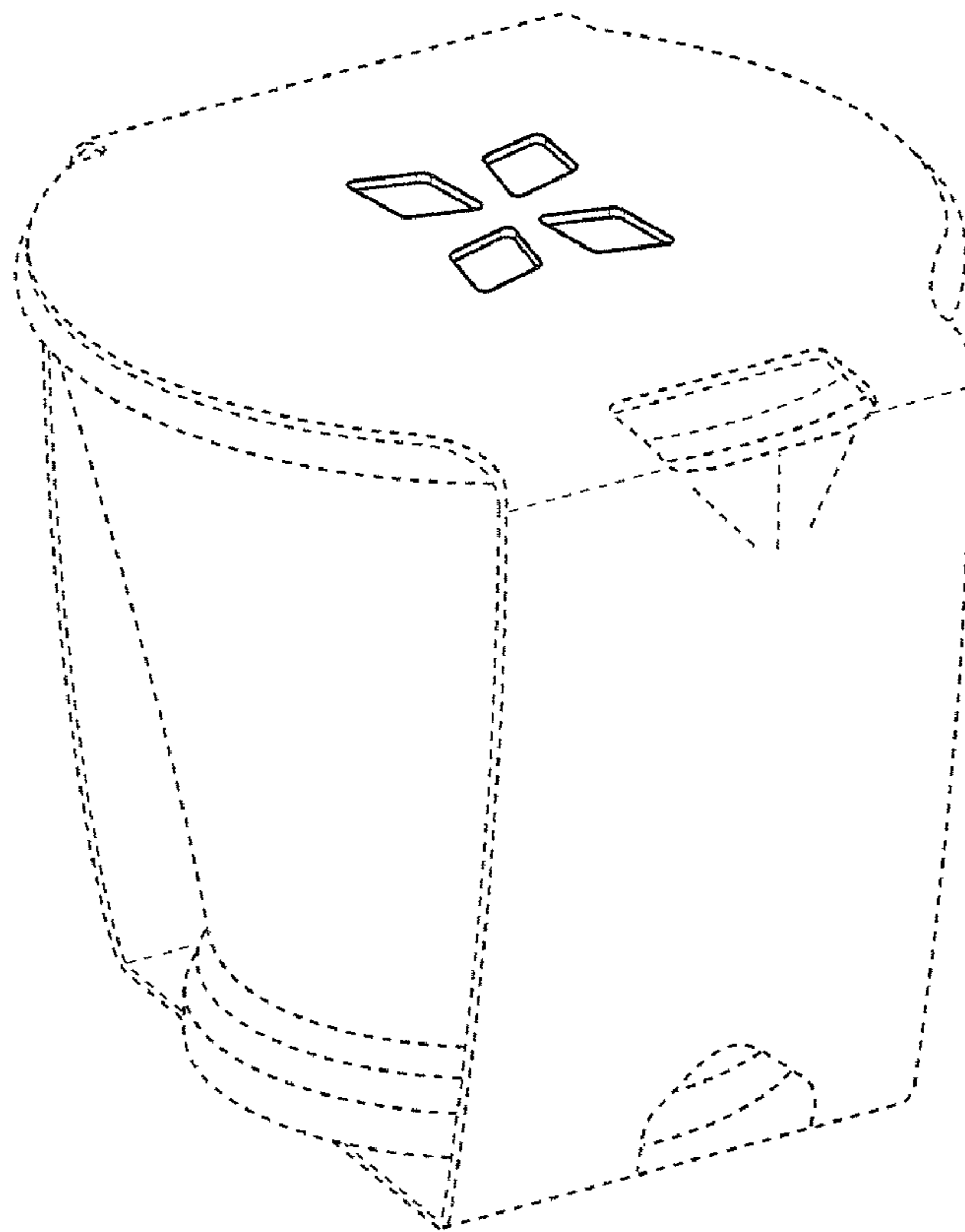


FIG. 5

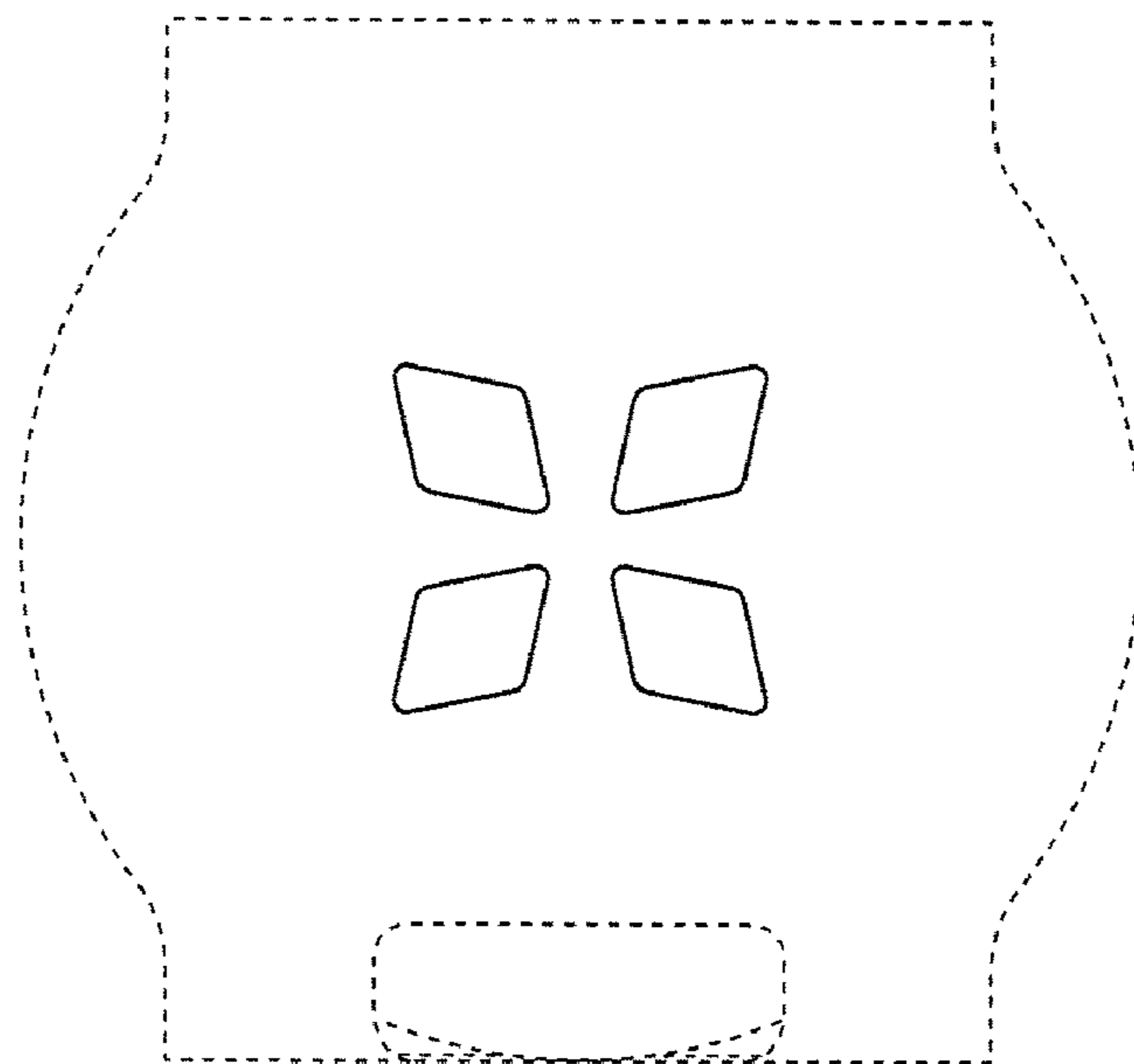


FIG. 6

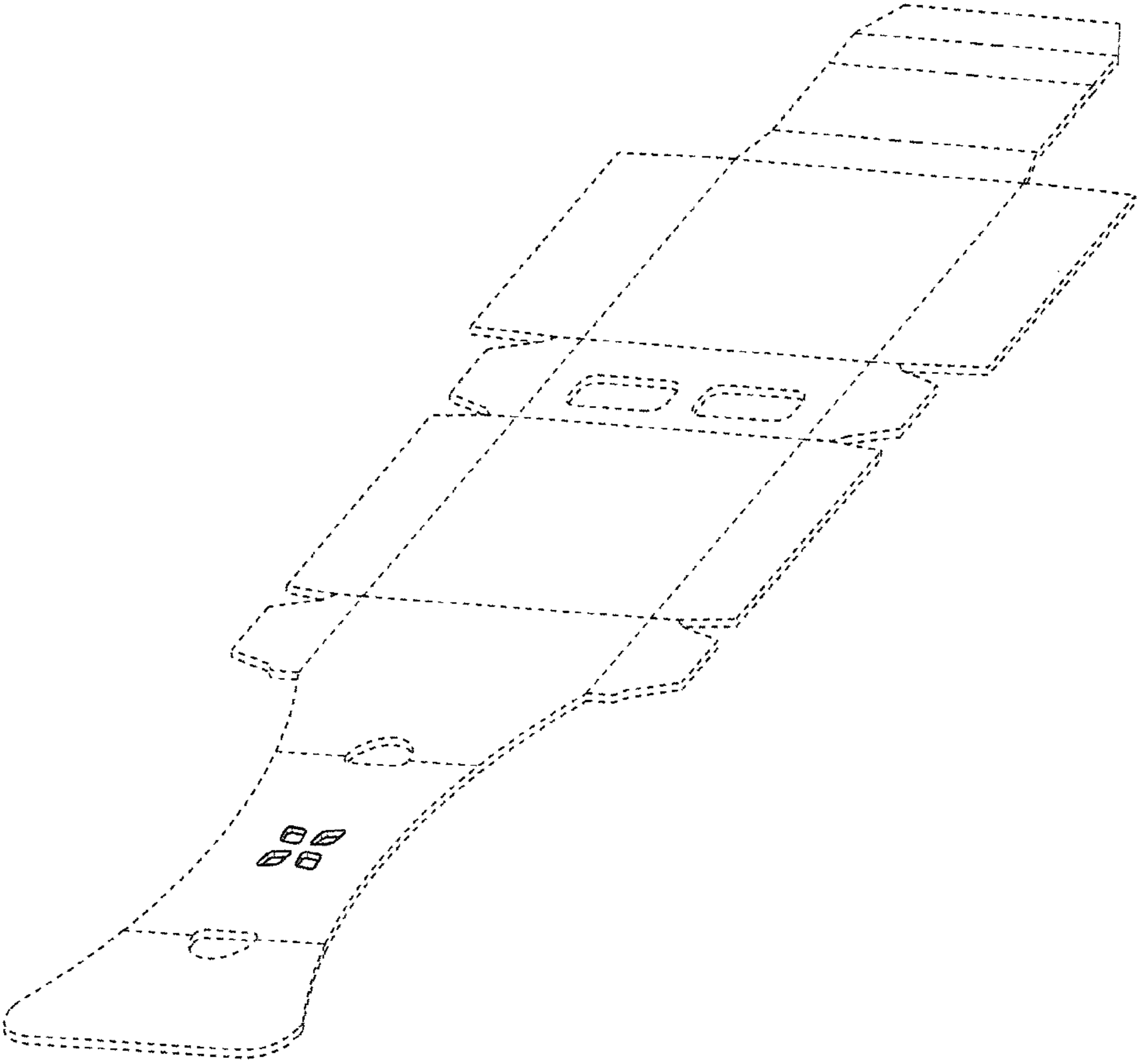


FIG. 7

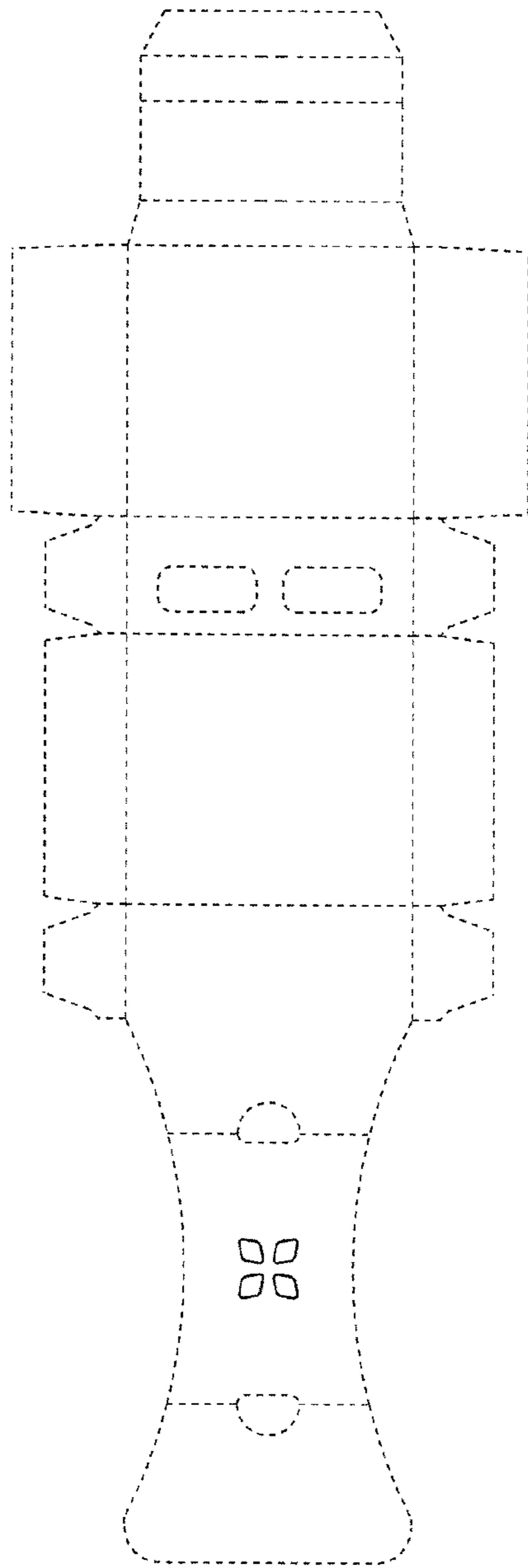


FIG. 8

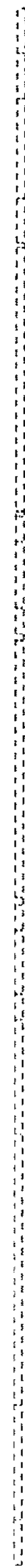


FIG. 9



FIG. 10

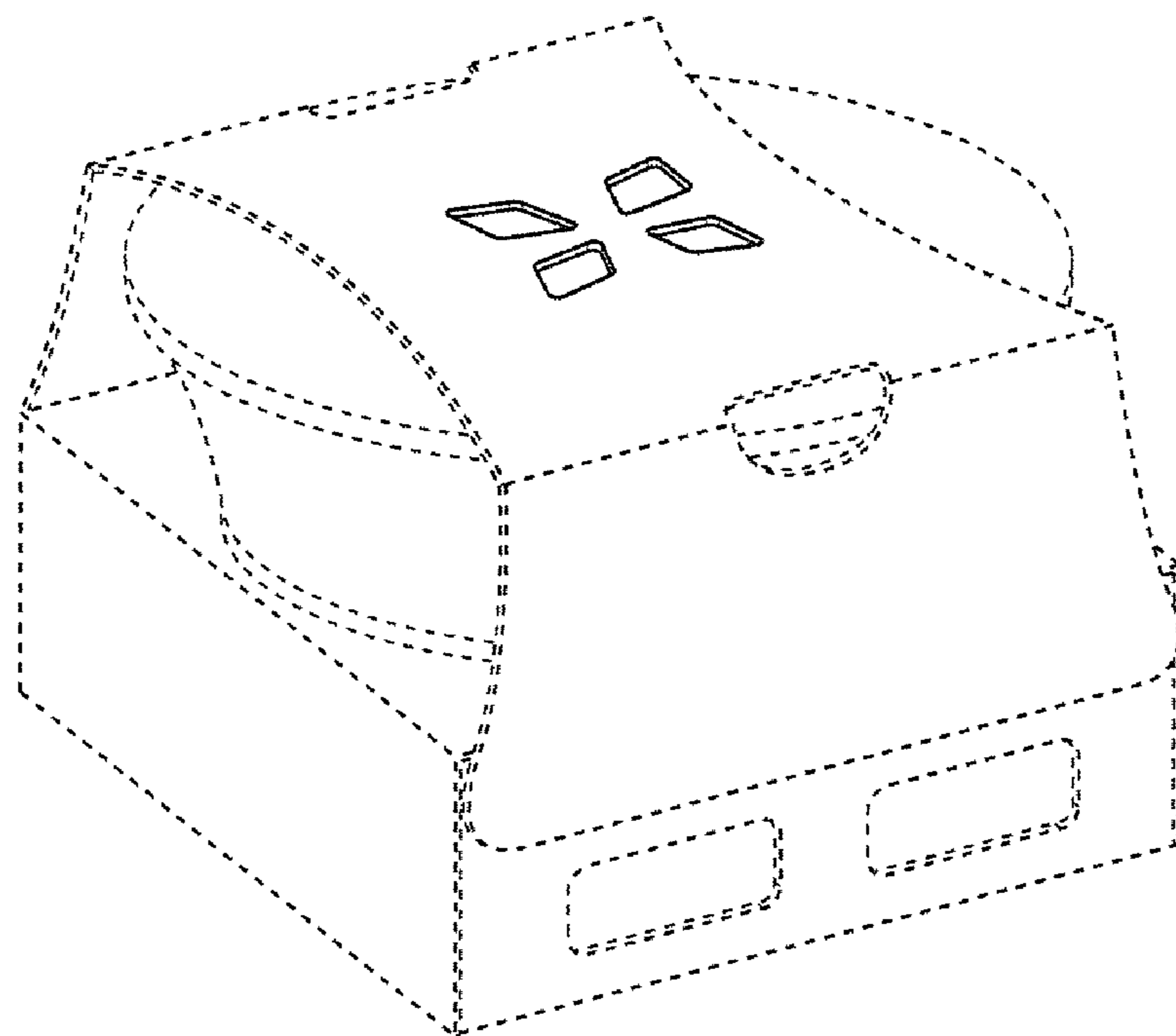


FIG. 11

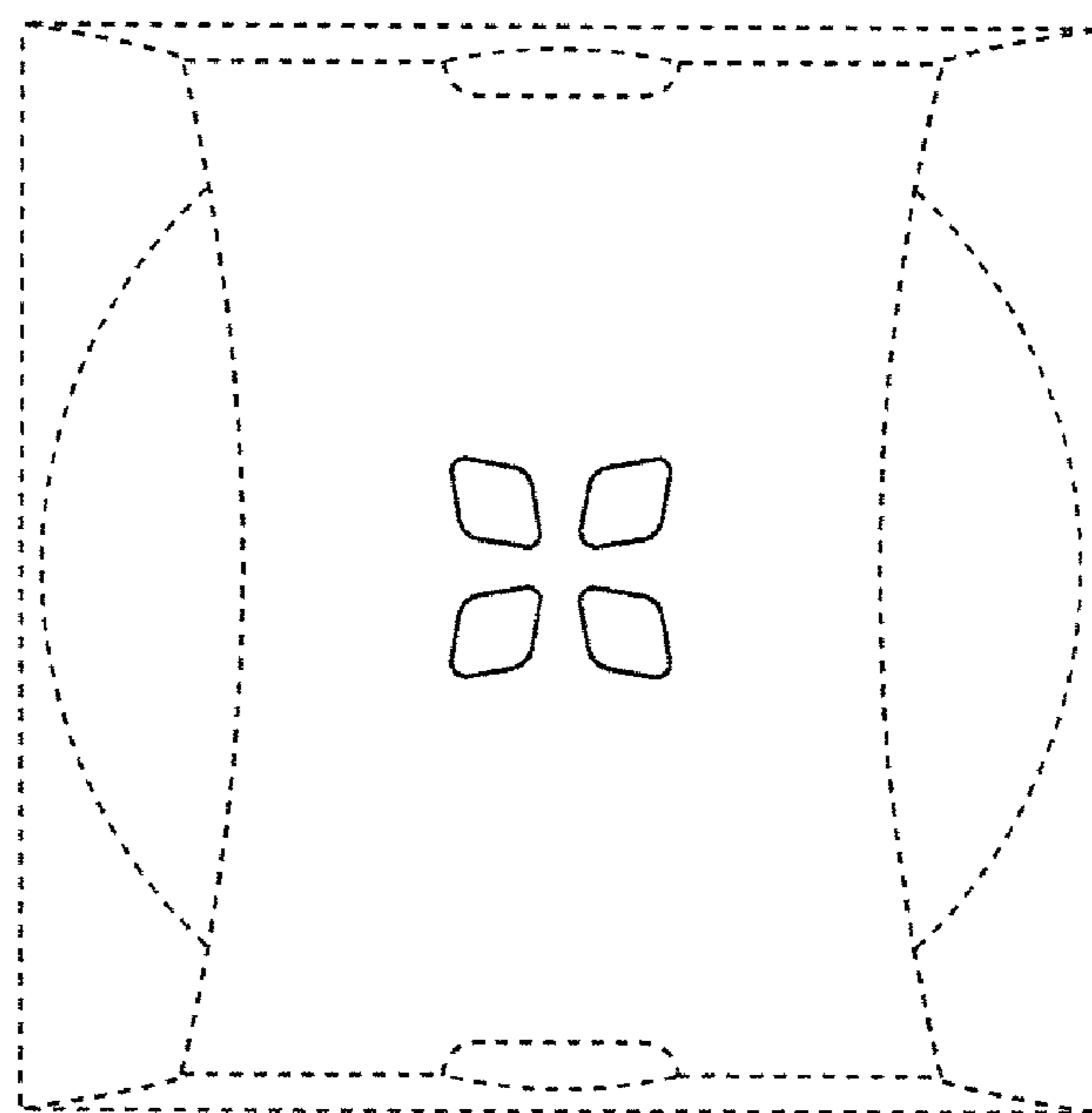


FIG. 12