



US00D662411S

(12) **United States Design Patent**  
**Tearle**

(10) **Patent No.:** **US D662,411 S**  
(45) **Date of Patent:** **\*\* Jun. 26, 2012**

(54) **PACKAGING**

(75) Inventor: **Alan Tearle**, London (GB)

(73) Assignee: **British American Tobacco (Investments) Limited**, London (GB)

(\*\*) Term: **14 Years**

(21) Appl. No.: **29/409,682**

(22) Filed: **Dec. 28, 2011**

**Related U.S. Application Data**

(62) Division of application No. 29/332,980, filed on Feb. 27, 2009, now Pat. No. Des. 653,535.

**Foreign Application Priority Data**

Sep. 2, 2008 (WO) ..... DM/070 635

(51) **LOC (9) Cl.** ..... **09-03**

(52) **U.S. Cl.** ..... **D9/423; D9/756; D27/189**

(58) **Field of Classification Search** ..... D9/420,  
D9/423, 425, 432, 607, 756; D27/186, 189;  
229/101, 125.21, 125.37, 145, 212, 225,  
229/160.1; 206/242, 245, 265, 266, 268,  
206/271, 273

See application file for complete search history.

(56) **References Cited**

**U.S. PATENT DOCUMENTS**

D337,940 S 8/1993 Aquino  
6,478,149 B1 \* 11/2002 Parker ..... 206/273  
7,048,115 B2 5/2006 Stringfield  
D575,452 S 8/2008 Jones et al.  
D575,636 S 8/2008 Krautter

D578,385 S 10/2008 Ancona  
D579,325 S 10/2008 Bray et al.  
D582,264 S 12/2008 Snyder  
D590,249 S 4/2009 Yanchev  
D594,596 S 6/2009 Mitten et al.  
D602,351 S 10/2009 Toinet et al.  
D607,318 S 1/2010 Collins  
D609,398 S 2/2010 Hearn  
D616,146 S 5/2010 Holford  
D618,544 S 6/2010 Collins  
D618,545 S 6/2010 Toinet et al.  
D627,634 S 11/2010 Chung et al.  
D635,714 S 4/2011 Rojas  
D636,931 S 4/2011 de The et al.  
2005/0236283 A1 \* 10/2005 Ito ..... 206/271  
2005/0252796 A1 \* 11/2005 Sendo ..... 206/261  
2006/0021883 A1 \* 2/2006 Focke et al. .... 206/273  
2006/0226208 A1 10/2006 Focke et al.  
2006/0249564 A1 11/2006 Dhanda  
2008/0121538 A1 \* 5/2008 Buse ..... 206/268  
2011/0147443 A1 6/2011 Igo

\* cited by examiner

*Primary Examiner* — Mark Goodwin

(74) *Attorney, Agent, or Firm* — Chadbourne & Parke LLP

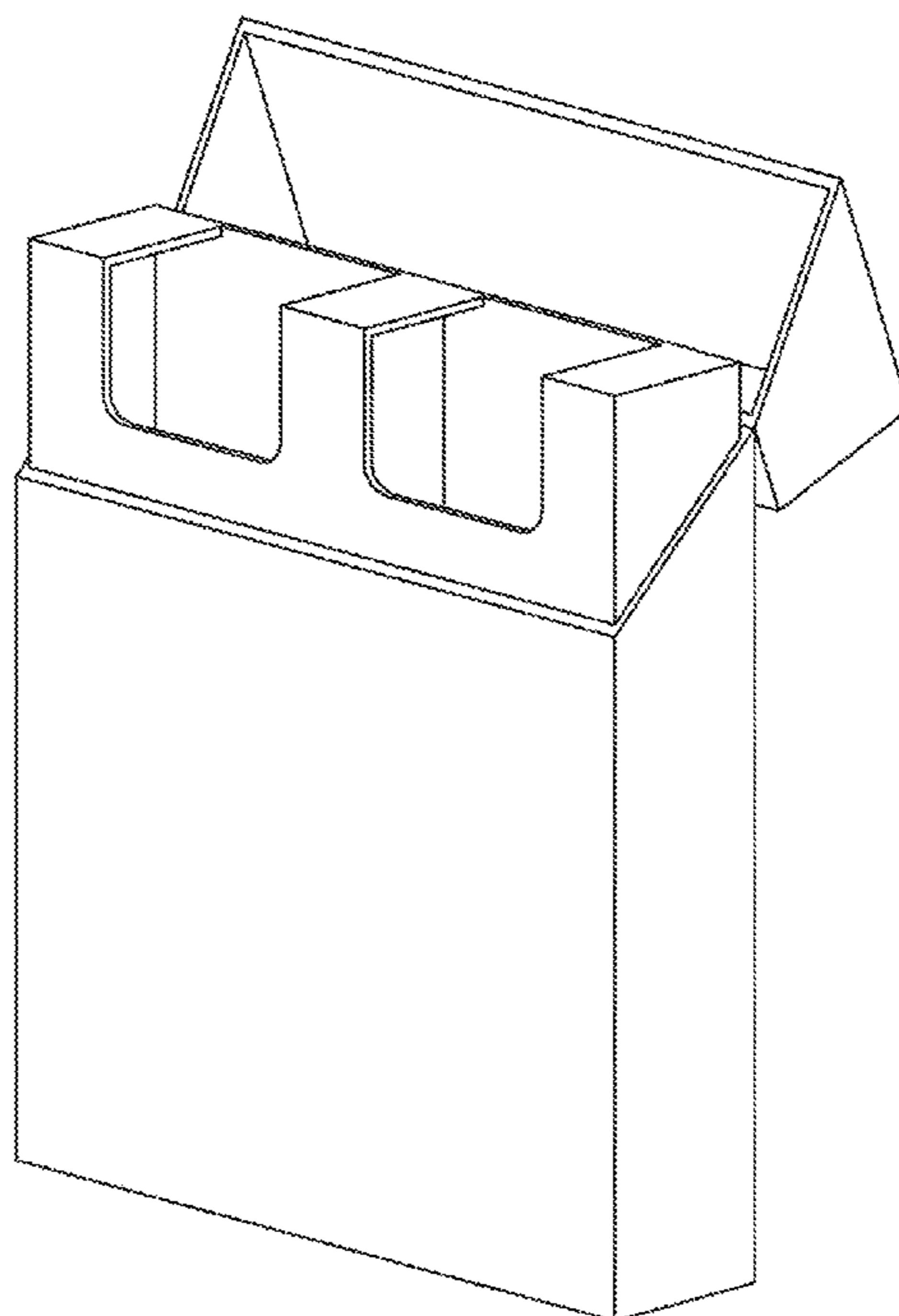
(57) **CLAIM**

The ornamental design for packaging, as shown and described.

**DESCRIPTION**

FIG. 1 provides a top front right perspective view of packaging showing my new design thereof in an open position; FIG. 2 provides a front view thereof; FIG. 3 provides a left-side view thereof; FIG. 4 provides a right-side view thereof; and, FIG. 5 provides a top plan view thereof.

**1 Claim, 3 Drawing Sheets**



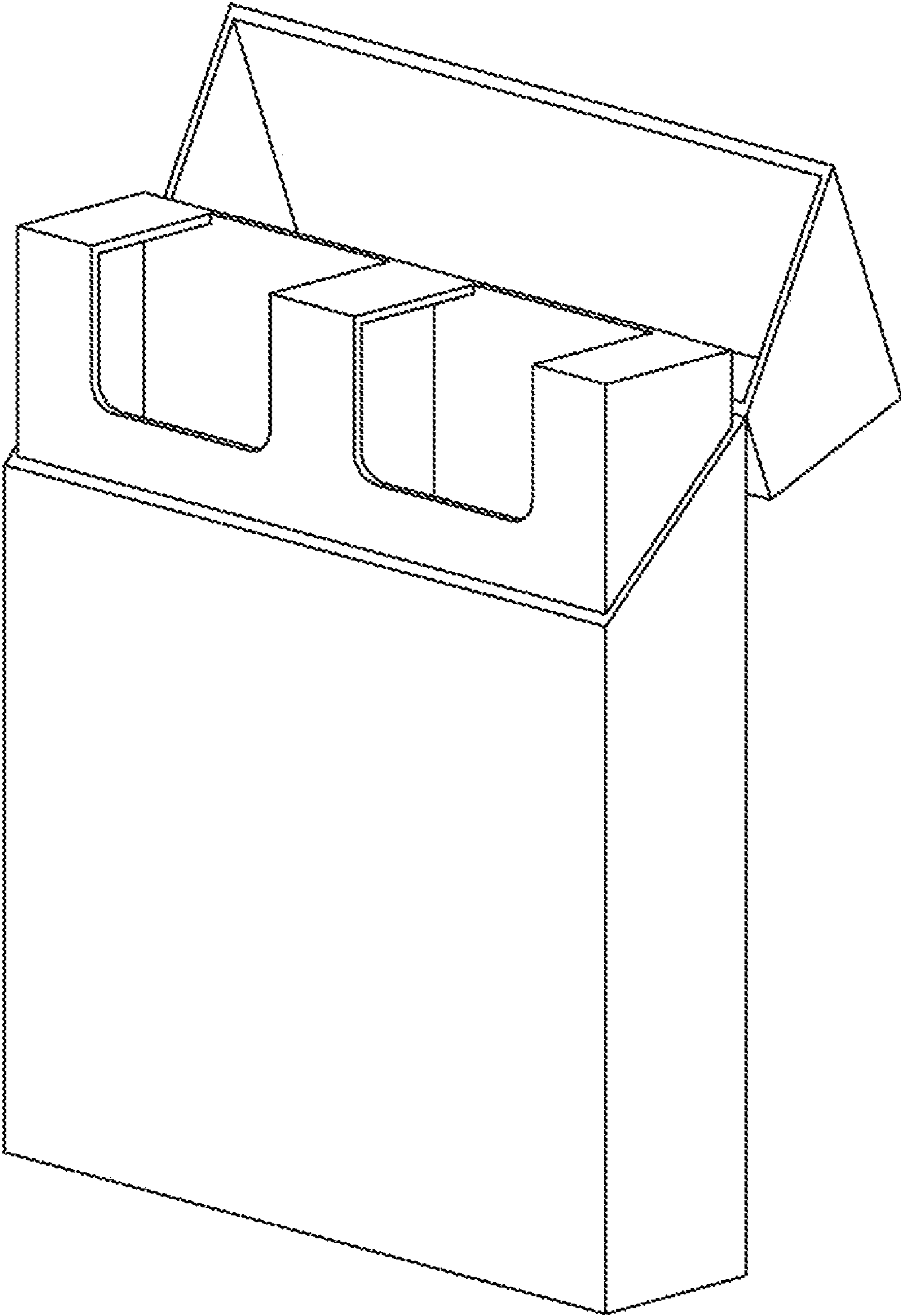


Fig. 1

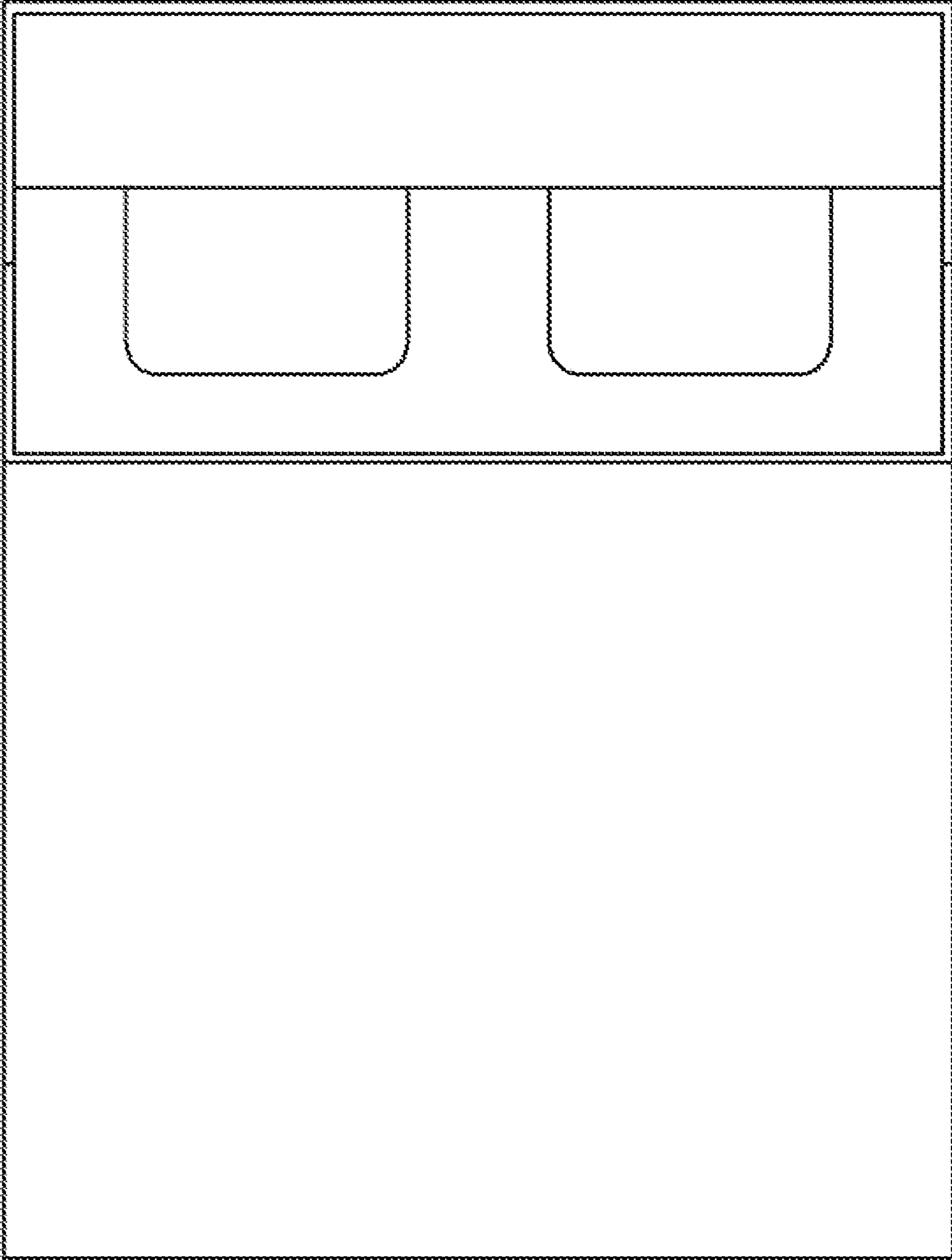


Fig. 2

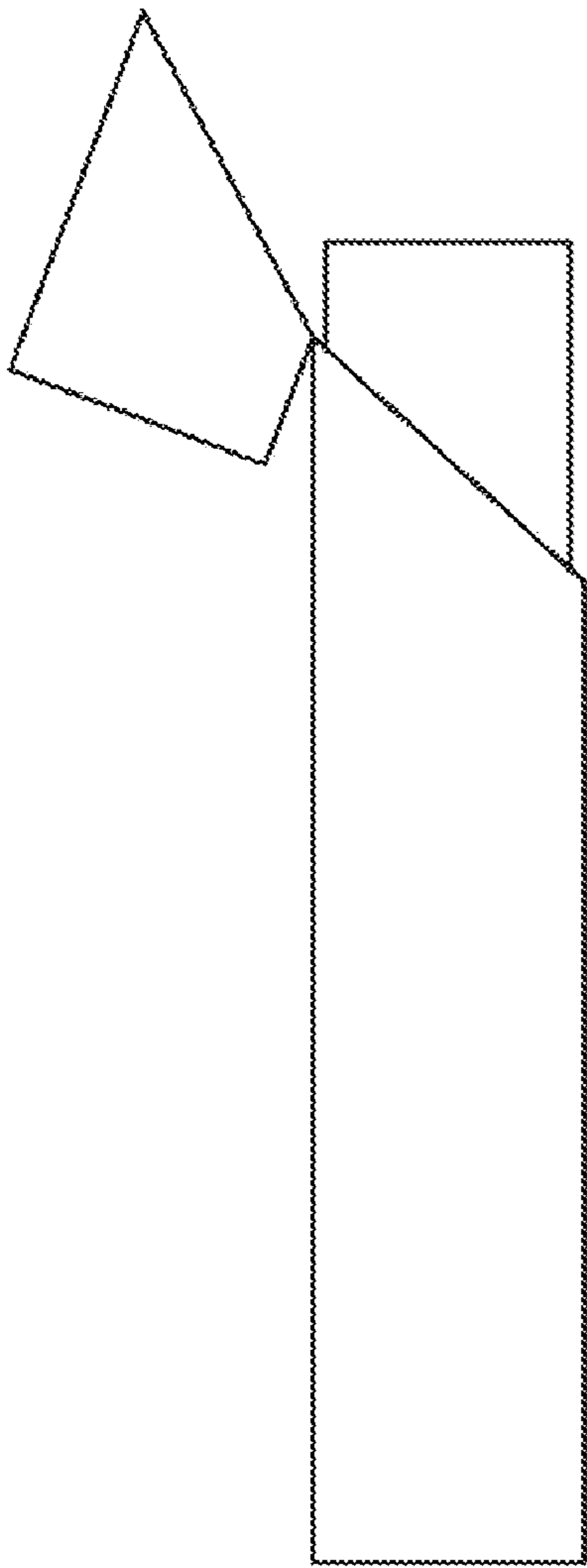


Fig. 3

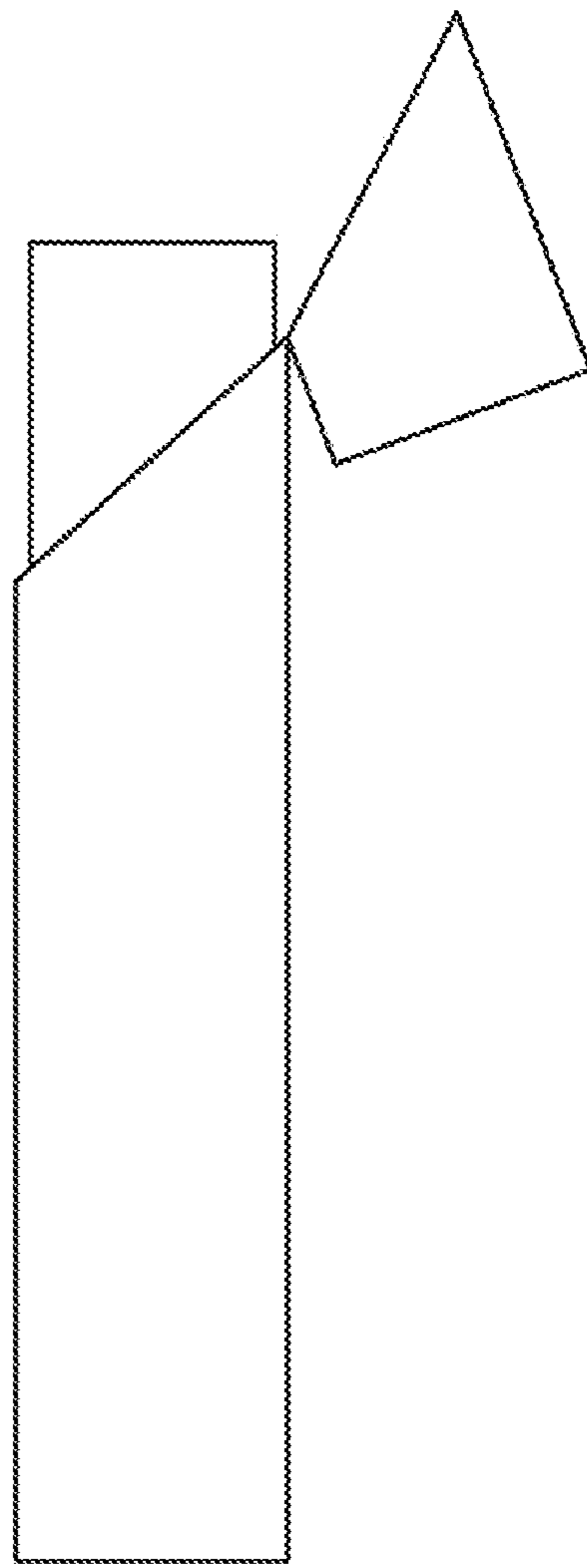


Fig. 4

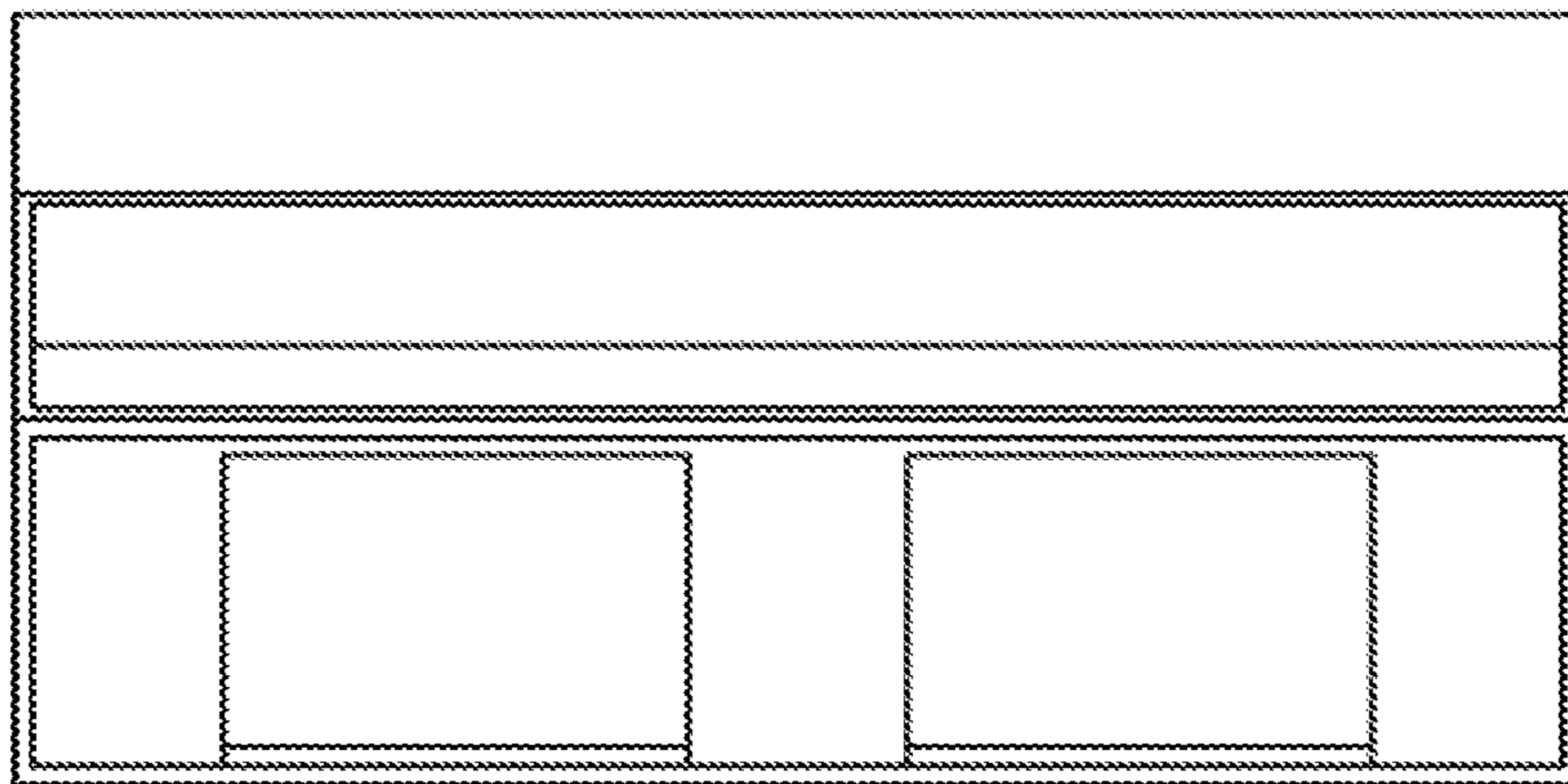


Fig. 5