



US00D662409S

(12) **United States Design Patent**  
**Woolstencroft**

(10) **Patent No.:** **US D662,409 S**  
(45) **Date of Patent:** **\*\* Jun. 26, 2012**

(54) **BOLT CAP**

(75) Inventor: **David Woolstencroft**, Lancashire (GB)

(73) Assignee: **David Woolstencroft**, Lancashire,  
Poulton (GB)

(\*\*) Term: **14 Years**

(21) Appl. No.: **29/408,828**

(22) Filed: **Dec. 16, 2011**

(30) **Foreign Application Priority Data**

Jun. 16, 2011 (EM) ..... 001878992

(51) **LOC (9) Cl.** ..... **08-08**

(52) **U.S. Cl.** ..... **D8/399**

(58) **Field of Classification Search** ..... D8/399,  
D8/323, 328, 329, 324, 330, 325, 327, 331,  
D8/336, 353, 338, 334, 57; D16/334; D23/302,  
D23/303; D10/69; D3/903; 4/302, 303;  
16/309, 235, 275, 244, 379, 390, 430, 241,  
16/238, 245, 236, 243, 242, 385, 225, 250

See application file for complete search history.

(56) **References Cited**

**U.S. PATENT DOCUMENTS**

D354,113 S \* 1/1995 Nortier et al. .... D23/233  
D358,870 S \* 5/1995 Formgren ..... D23/250

5,758,529 A \* 6/1998 Chhatwal ..... 70/423  
D417,491 S \* 12/1999 Frazer et al. .... D23/303  
D431,287 S \* 9/2000 Nguyen ..... D23/303  
D433,314 S \* 11/2000 Mimlitch et al. .... D8/346  
D594,311 S \* 6/2009 Stevens ..... D8/334  
D636,655 S \* 4/2011 Quinlan et al. .... D8/330  
D649,430 S \* 11/2011 Spragg ..... D8/323  
D654,421 S \* 2/2012 Sugiyama et al. .... D12/400

\* cited by examiner

*Primary Examiner* — Cynthia Underwood

(74) *Attorney, Agent, or Firm* — Andrus, Scales, Starke &  
Sawall, LLP

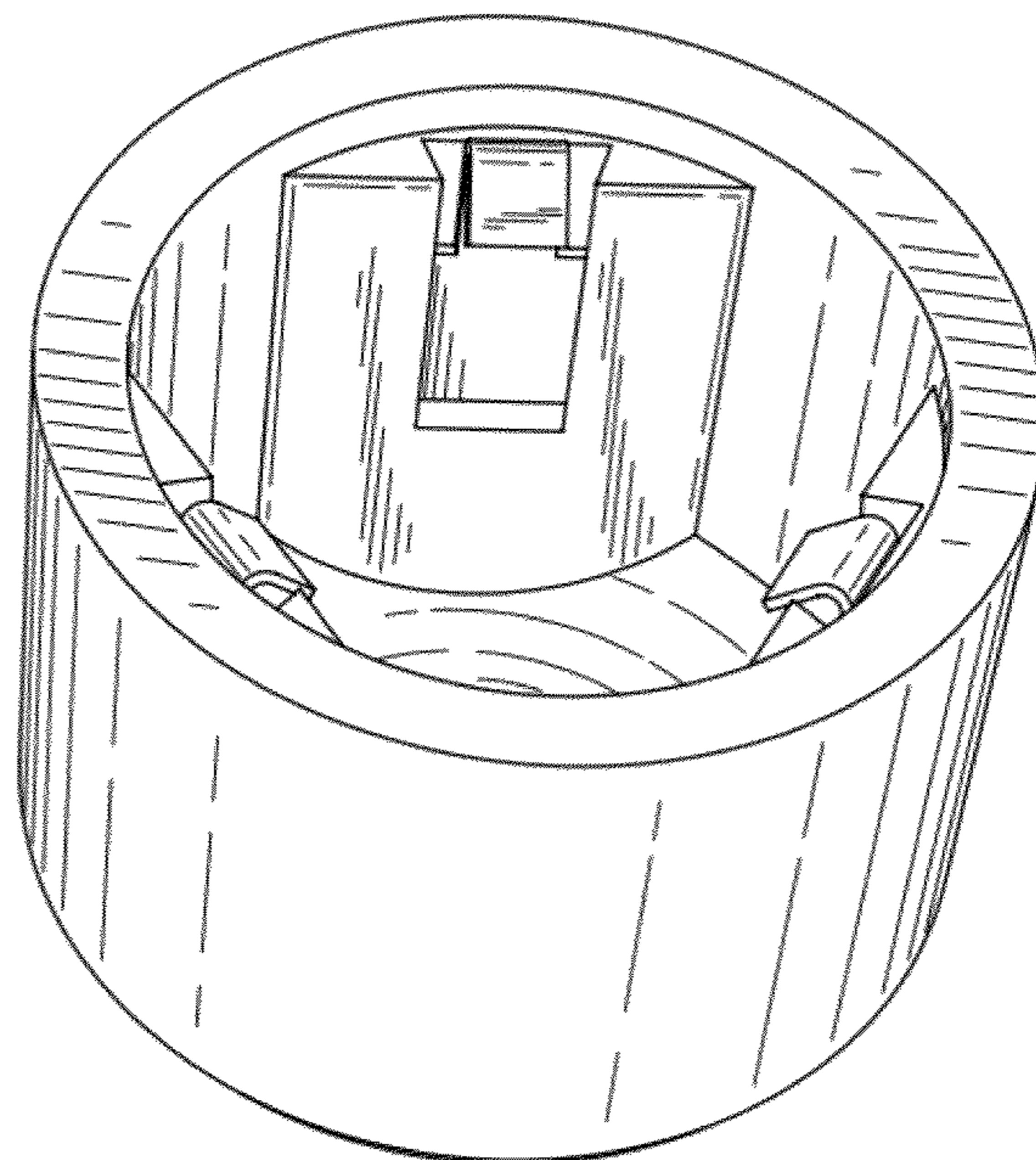
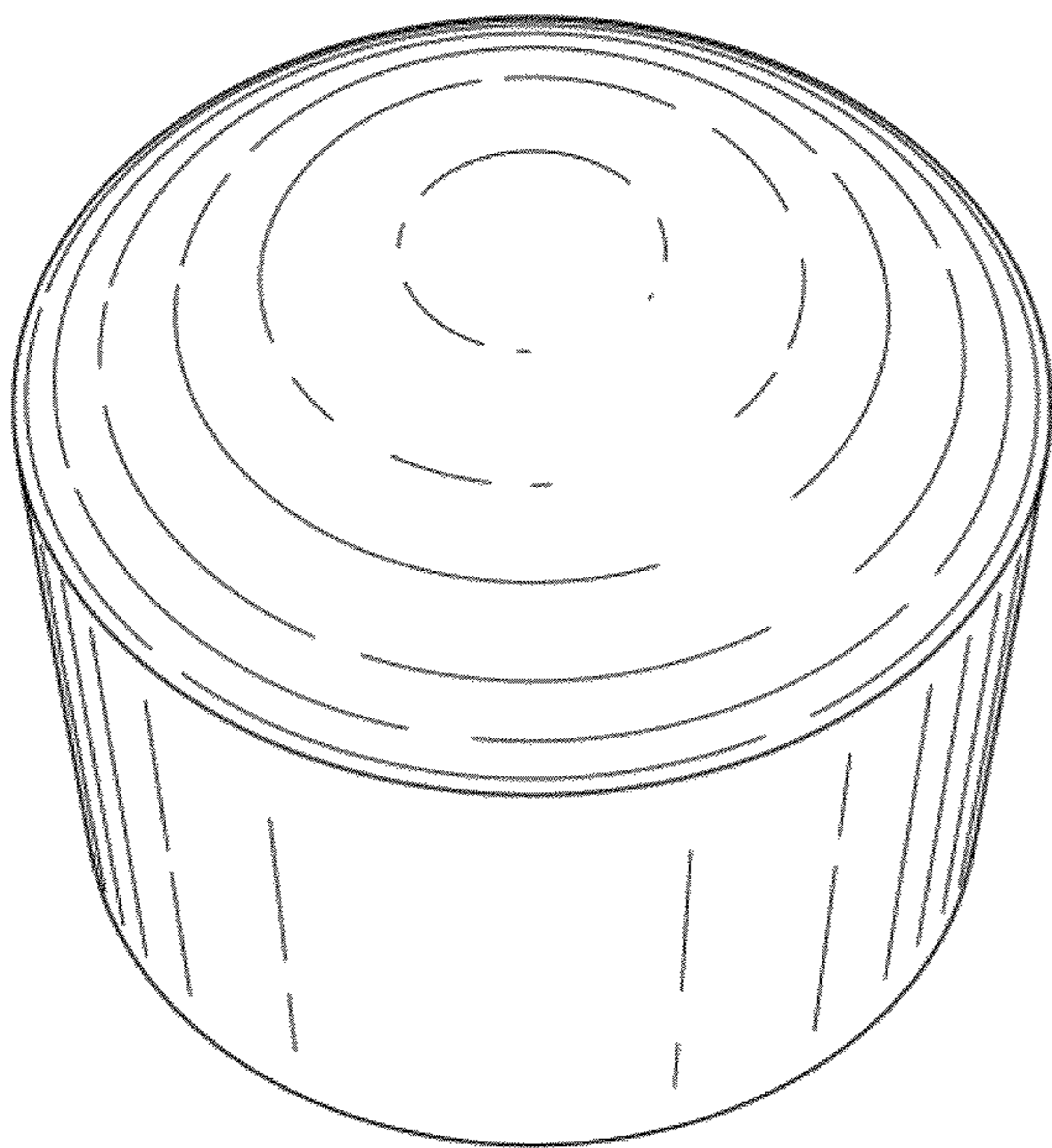
(57) **CLAIM**

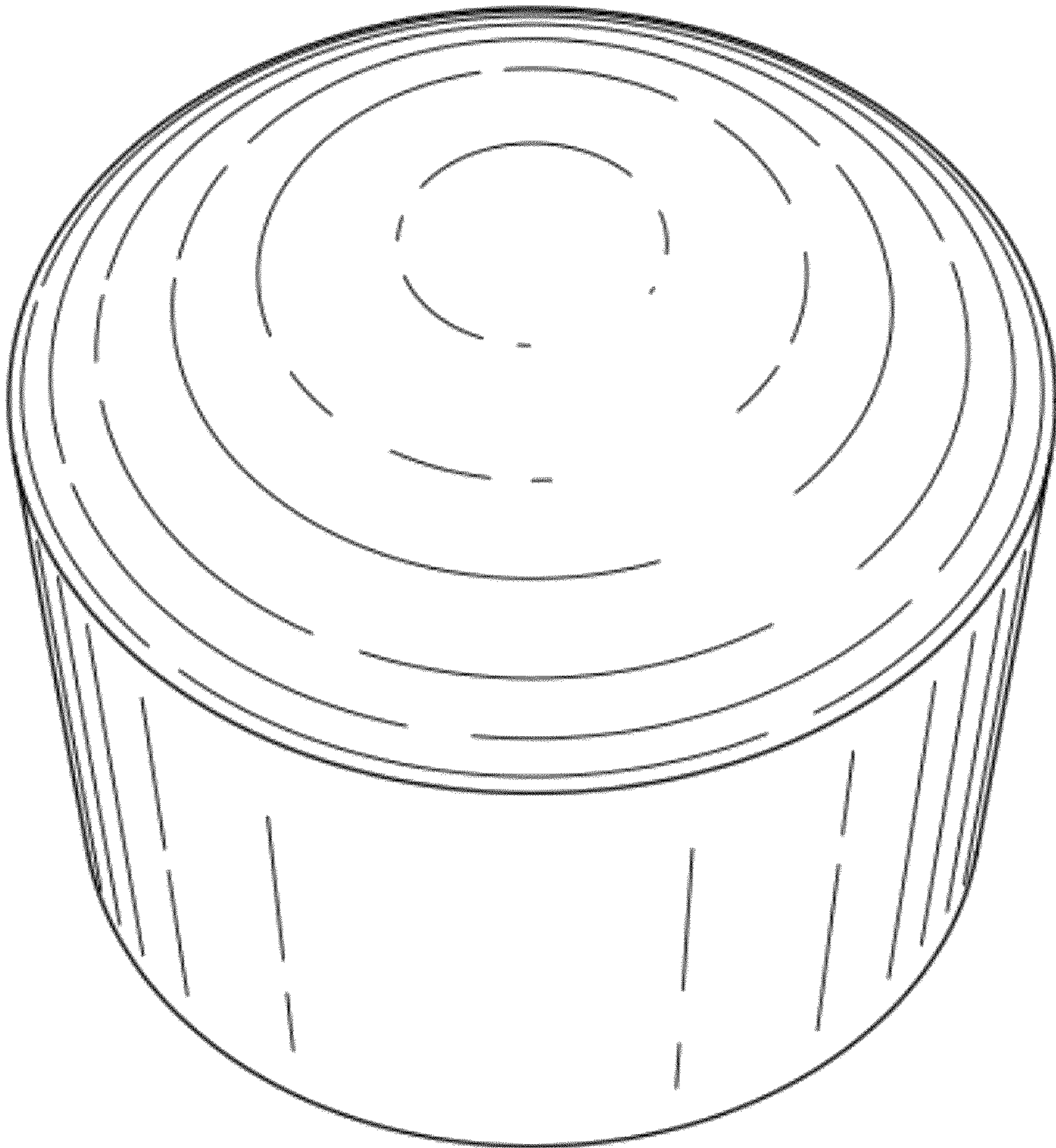
The ornamental design for a bolt cap, as shown and described.

**DESCRIPTION**

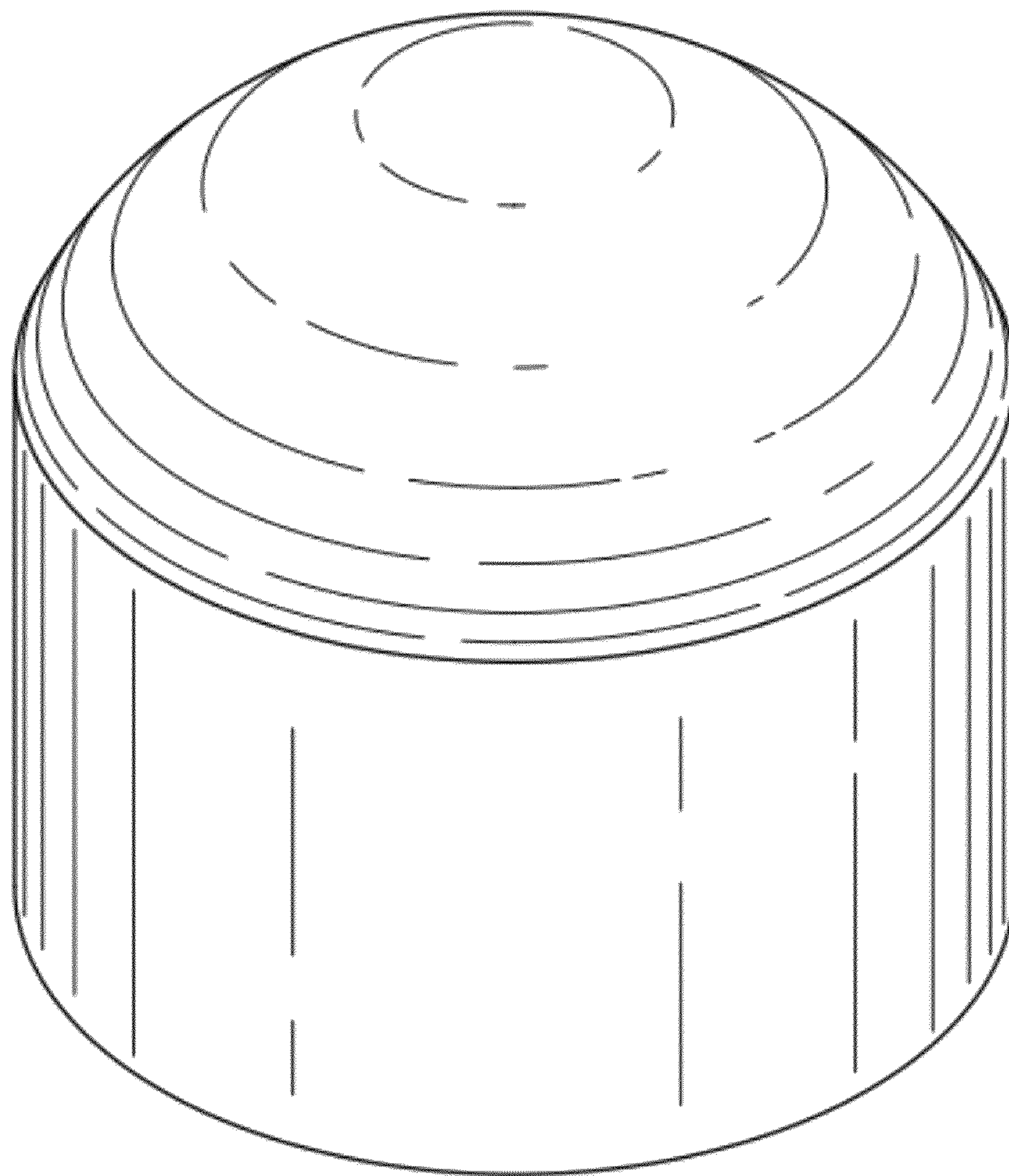
FIG. 1 is a perspective plan view of a bolt cap showing my new design;  
FIG. 2 is a perspective side view thereof;  
FIG. 3 is a first perspective bottom view thereof;  
FIG. 4 is a second perspective bottom view thereof;  
FIG. 5 is a third perspective bottom view thereof;  
FIG. 6 is a fourth perspective bottom view thereof;  
FIG. 7 is a bottom plan view thereof;  
FIG. 8 is a front view thereof;  
FIG. 9 is a rear view thereof;  
FIG. 10 is a right side view thereof, the left side view being a mirror image thereof; and,  
FIG. 11 is a top plan view thereof.

**1 Claim, 9 Drawing Sheets**

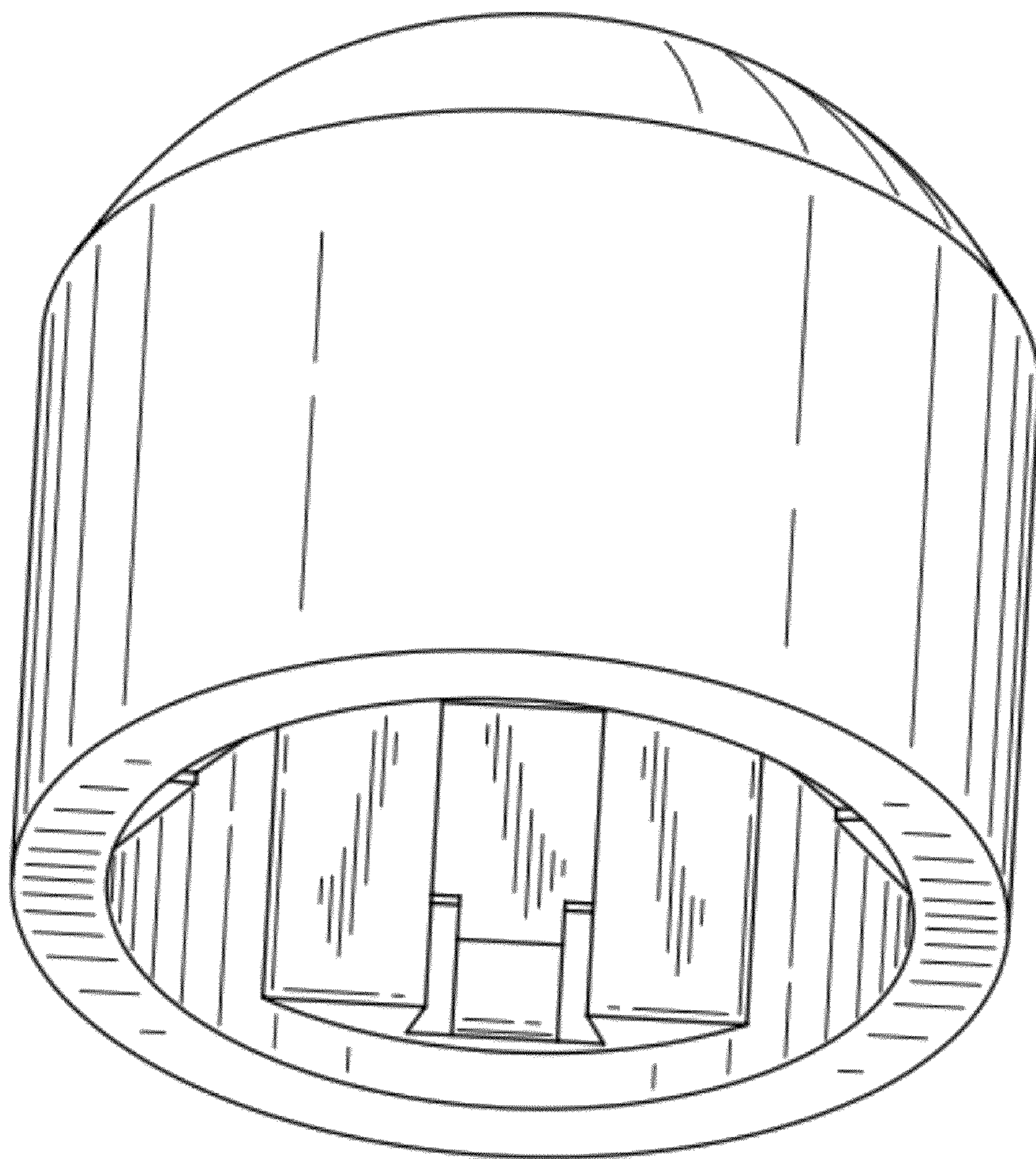




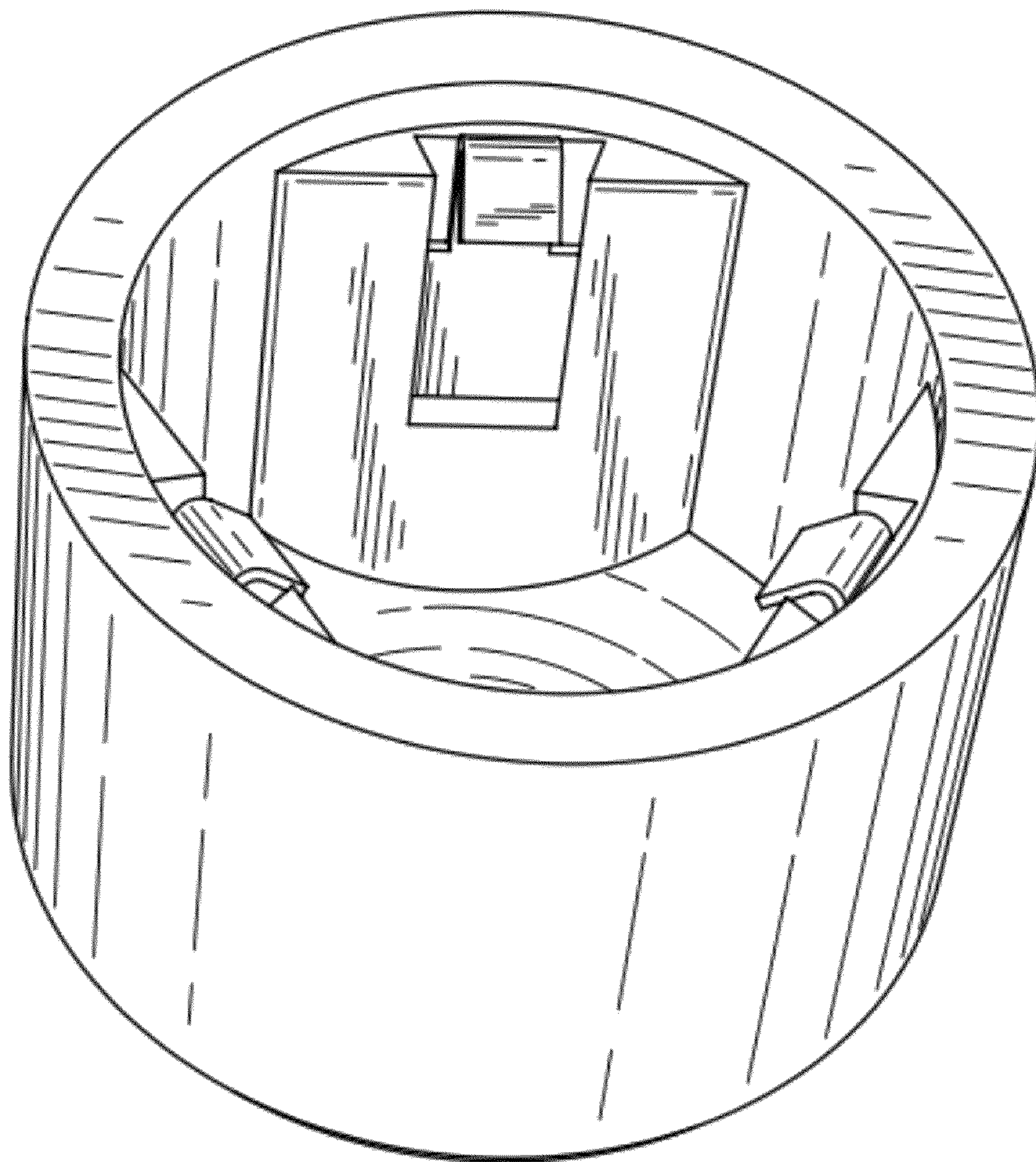
**FIG. 1**



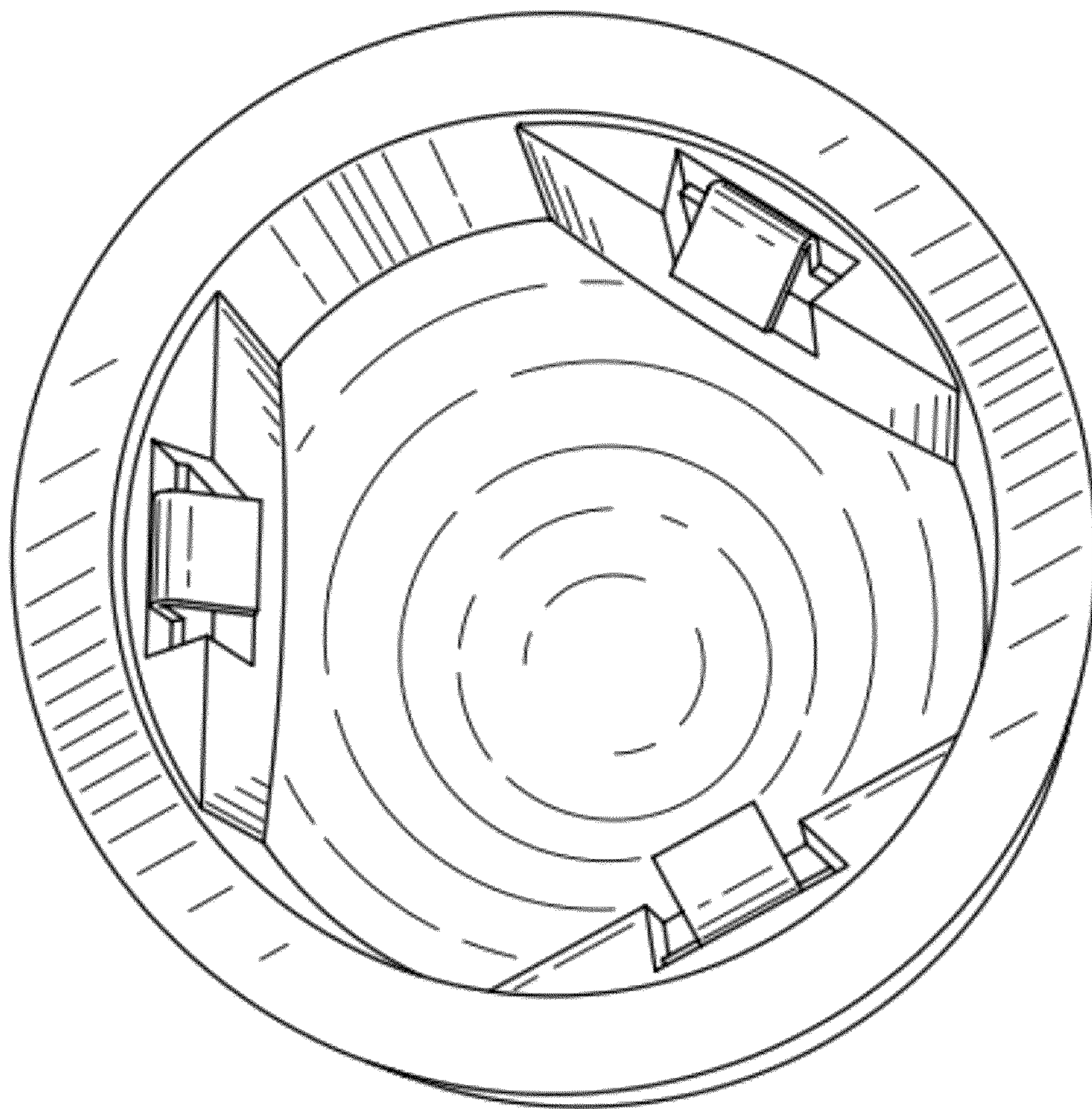
**FIG. 2**



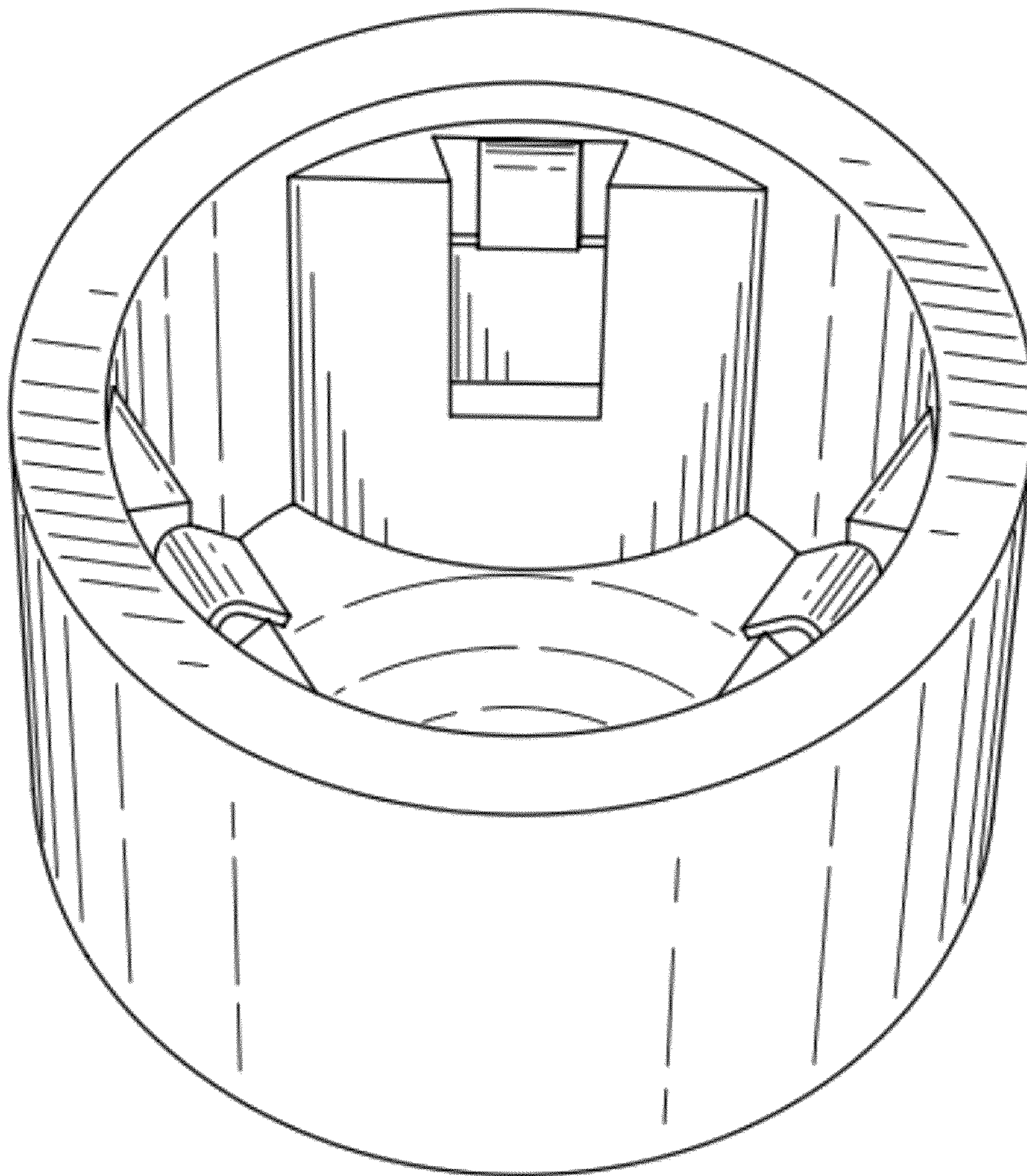
**FIG. 3**



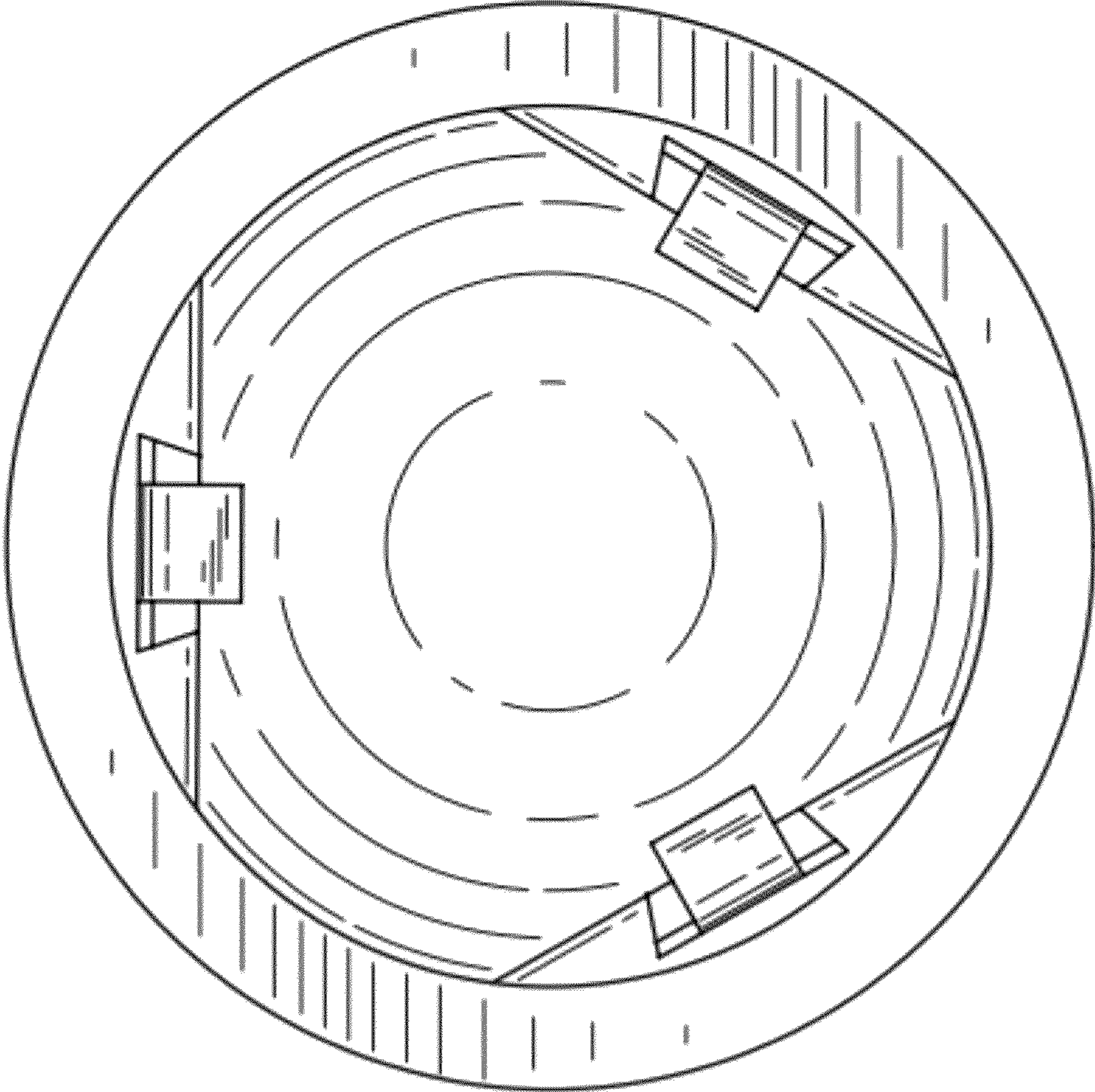
**FIG. 4**



**FIG. 5**

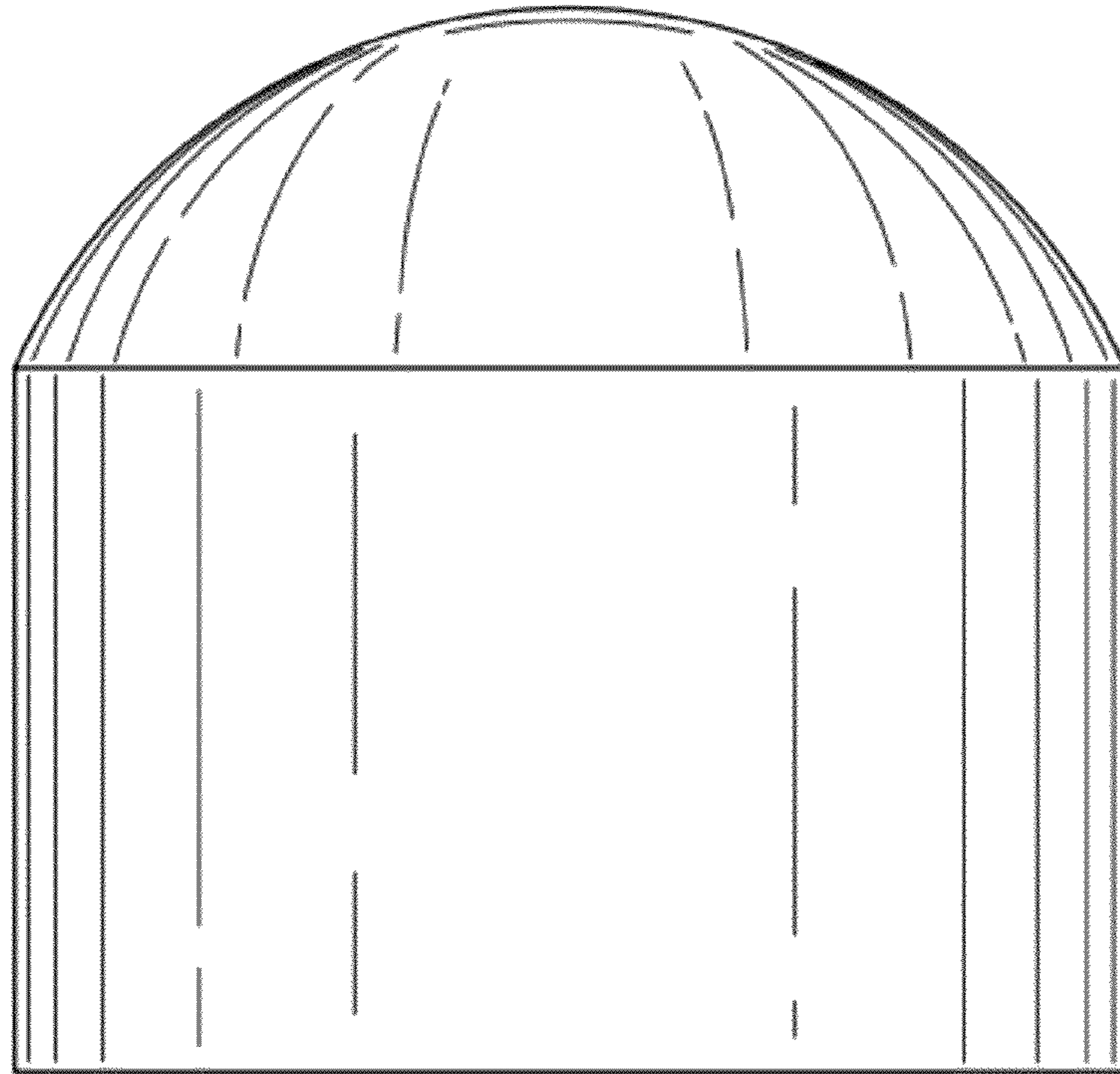


**FIG. 6**

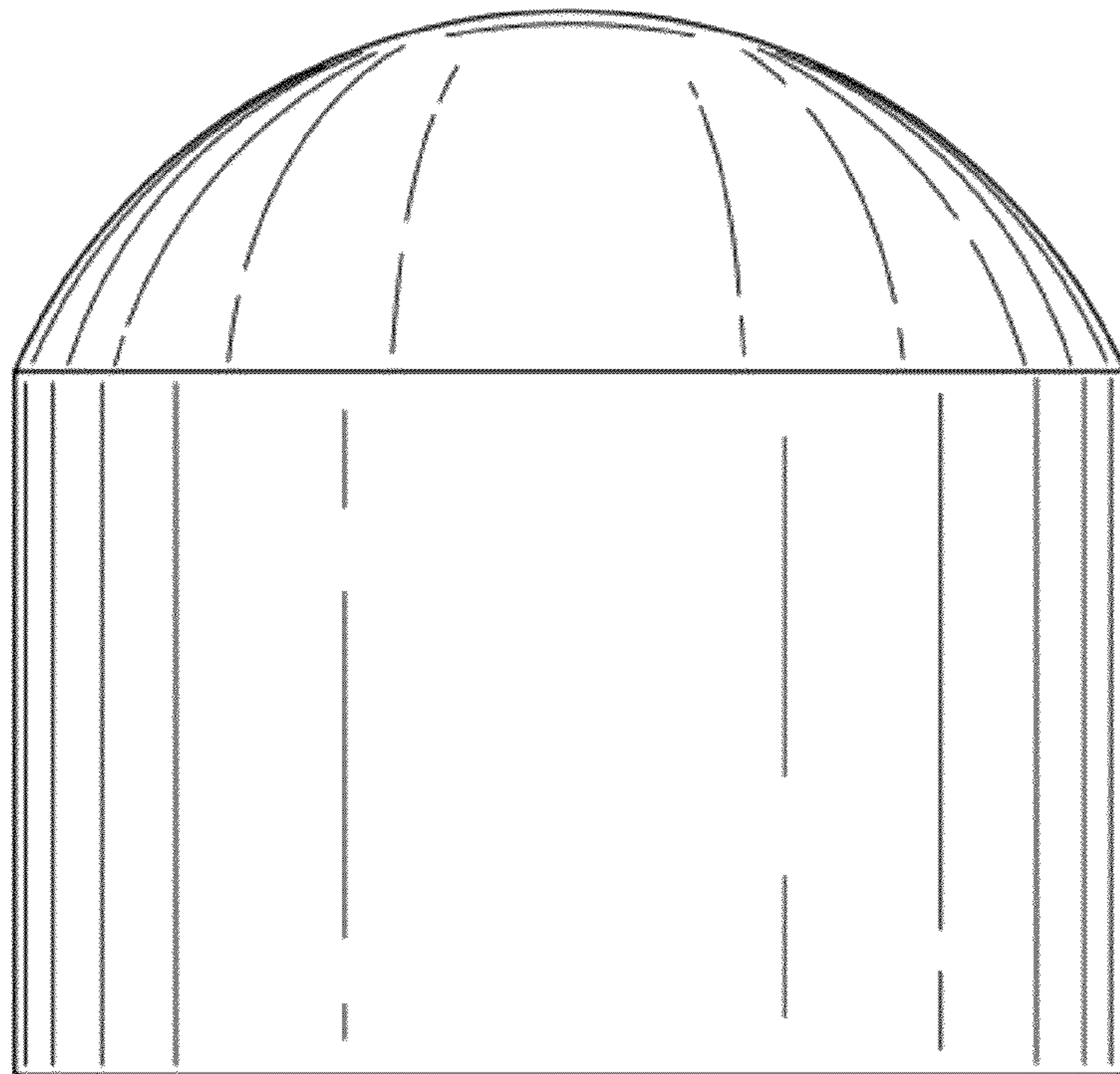


**FIG. 7**

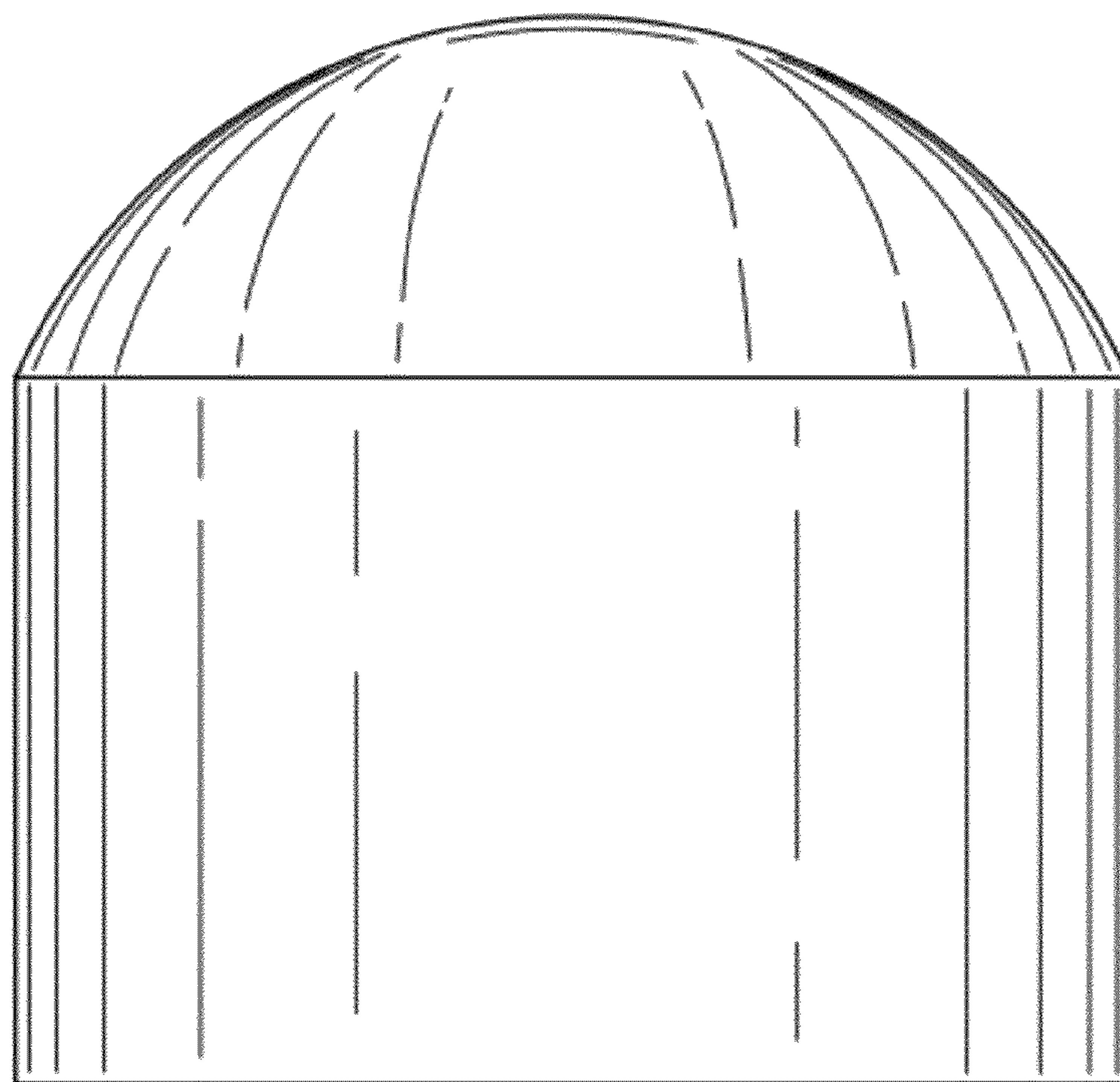




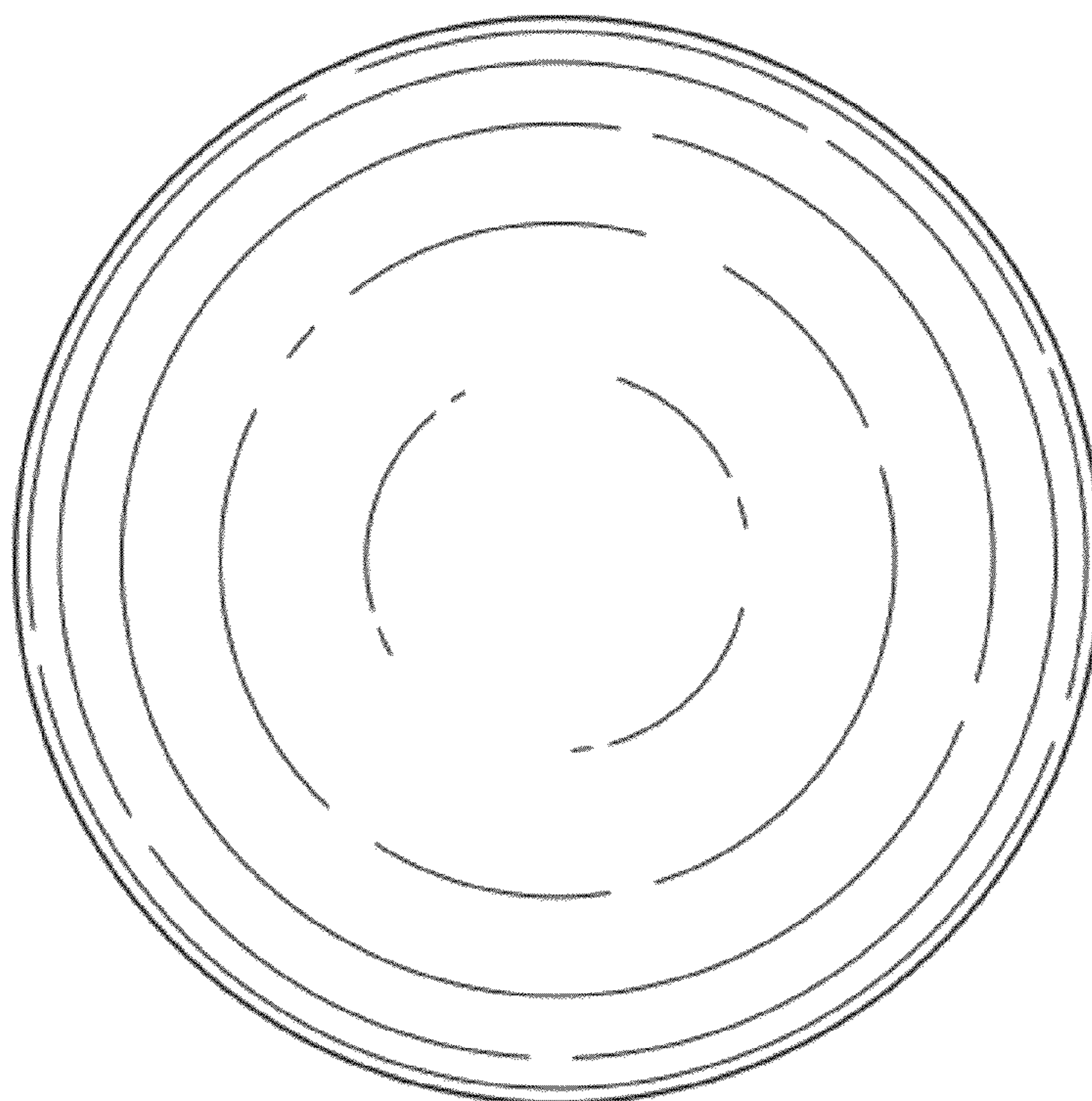
**FIG. 8**



**FIG. 9**



**FIG. 10**



**FIG. 11**