



US00D662406S

(12) **United States Design Patent**  
**Zhang et al.**

(10) **Patent No.:** **US D662,406 S**  
(45) **Date of Patent:** **\*\* Jun. 26, 2012**

(54) **SEISMIC PERIMETER CLIP FOR  
SUSPENSION CEILING SYSTEM**  
(75) Inventors: **Yuxiang Zhang**, Brandenton, FL (US);  
**Monika Mathur**, Conshohocken, PA  
(US)

(73) Assignee: **Certainteed Corporation**, Valley Forge,  
PA (US)

(\*\*) Term: **14 Years**

(21) Appl. No.: **29/408,510**

(22) Filed: **Dec. 13, 2011**

(51) **LOC (9) Cl.** ..... **08-08**

(52) **U.S. Cl.** ..... **D8/394; D8/380**

(58) **Field of Classification Search** ..... D8/356,  
D8/371, 394-396, 380; 24/570; 248/74.2,  
248/215, 227.1, 49, 300, 301, 316.7, 51,  
248/489; D19/65, 56; 52/484, 489, 506.06,  
52/506.07, 733.1; D23/133, 134

See application file for complete search history.

(56) **References Cited**

**U.S. PATENT DOCUMENTS**

4,479,341 A 10/1984 Schuplin  
D309,027 S 7/1990 Noone et al.  
5,046,294 A 9/1991 Platt

7,293,393 B2 11/2007 Kelly et al.  
7,552,567 B2 6/2009 Ingratta et al.  
7,614,195 B2 \* 11/2009 Platt et al. .... 52/506.06  
D617,913 S 6/2010 Shanes et al.  
7,770,349 B2 8/2010 Tedesco et al.  
7,788,872 B2 9/2010 Platt  
D637,899 S 5/2011 Tedesco et al.  
D638,286 S \* 5/2011 Tedesco et al. .... D8/394  
D638,287 S \* 5/2011 Tedesco et al. .... D8/394  
D638,288 S 5/2011 Tedesco et al.  
D638,289 S 5/2011 Tedesco et al.  
2005/0160696 A1 \* 7/2005 Kelly et al. .... 52/712  
2008/0060306 A1 \* 3/2008 Platt et al. .... 52/506.06  
2009/0165417 A1 7/2009 Jankovec et al.  
2011/0146194 A1 6/2011 Tedesco et al.

\* cited by examiner

*Primary Examiner* — John Windmuller

(74) *Attorney, Agent, or Firm* — Abel Law Group, LLP;  
Alexander H. Plache

(57) **CLAIM**

The ornamental design for a seismic perimeter clip for sus-  
pension ceiling system, as shown and described.

**DESCRIPTION**

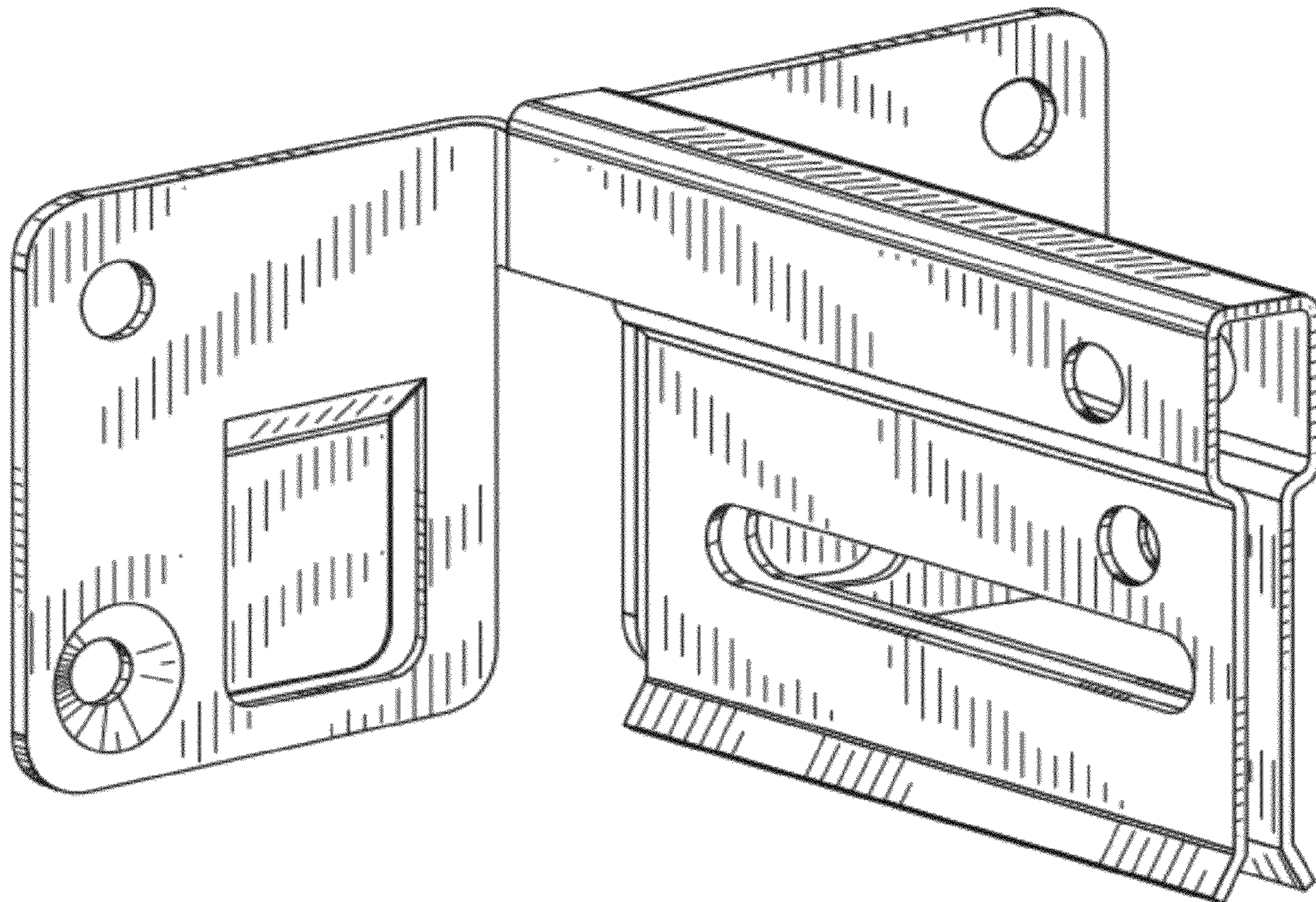
FIG. 1 is an isometric view of a seismic perimeter clip for  
suspension ceiling system showing our new design.

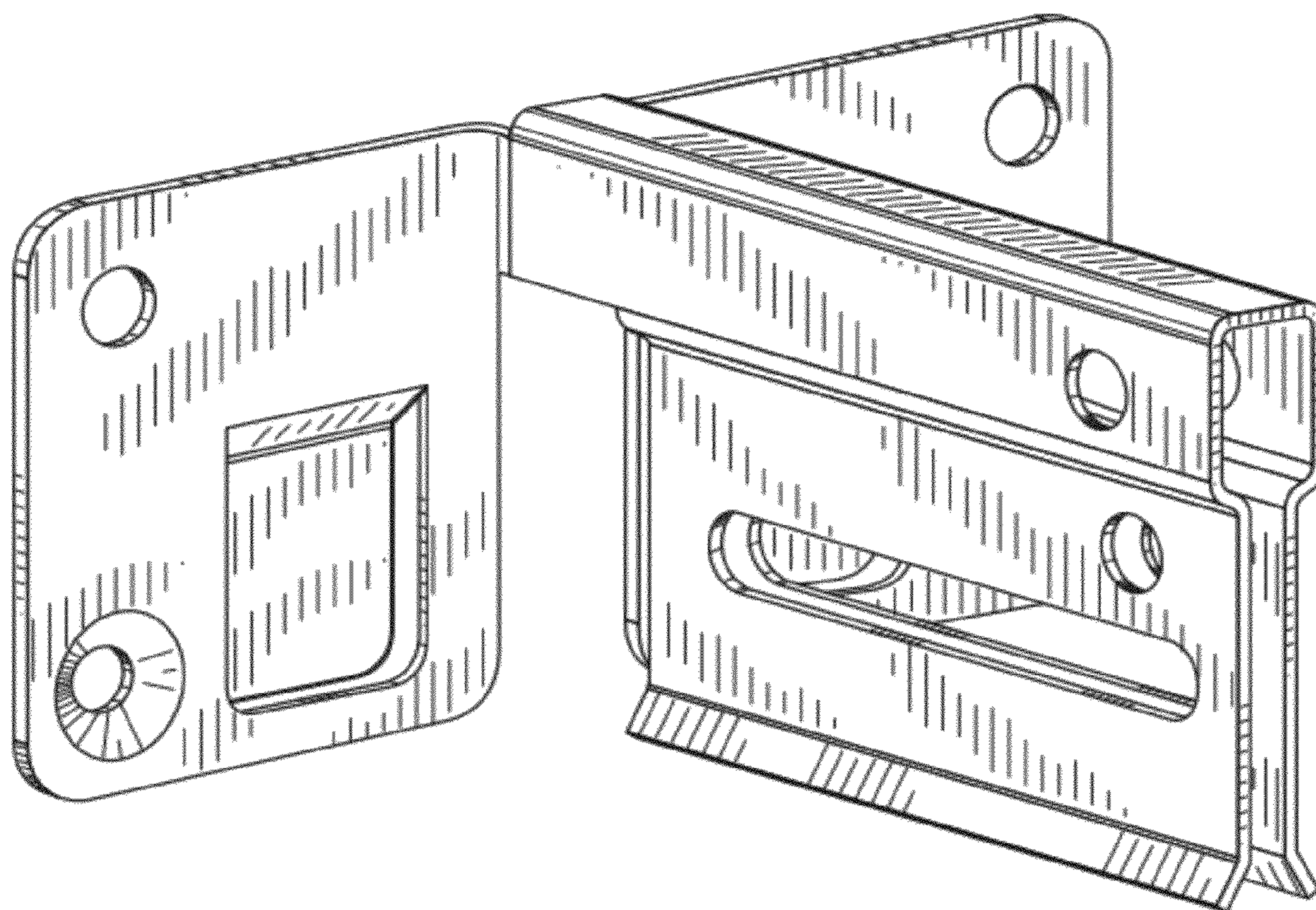
FIGS. 2 and 3 are front and back views of the clip of FIG. 1;

FIGS. 4 and 5 are side views of the clip of FIG. 1; and,

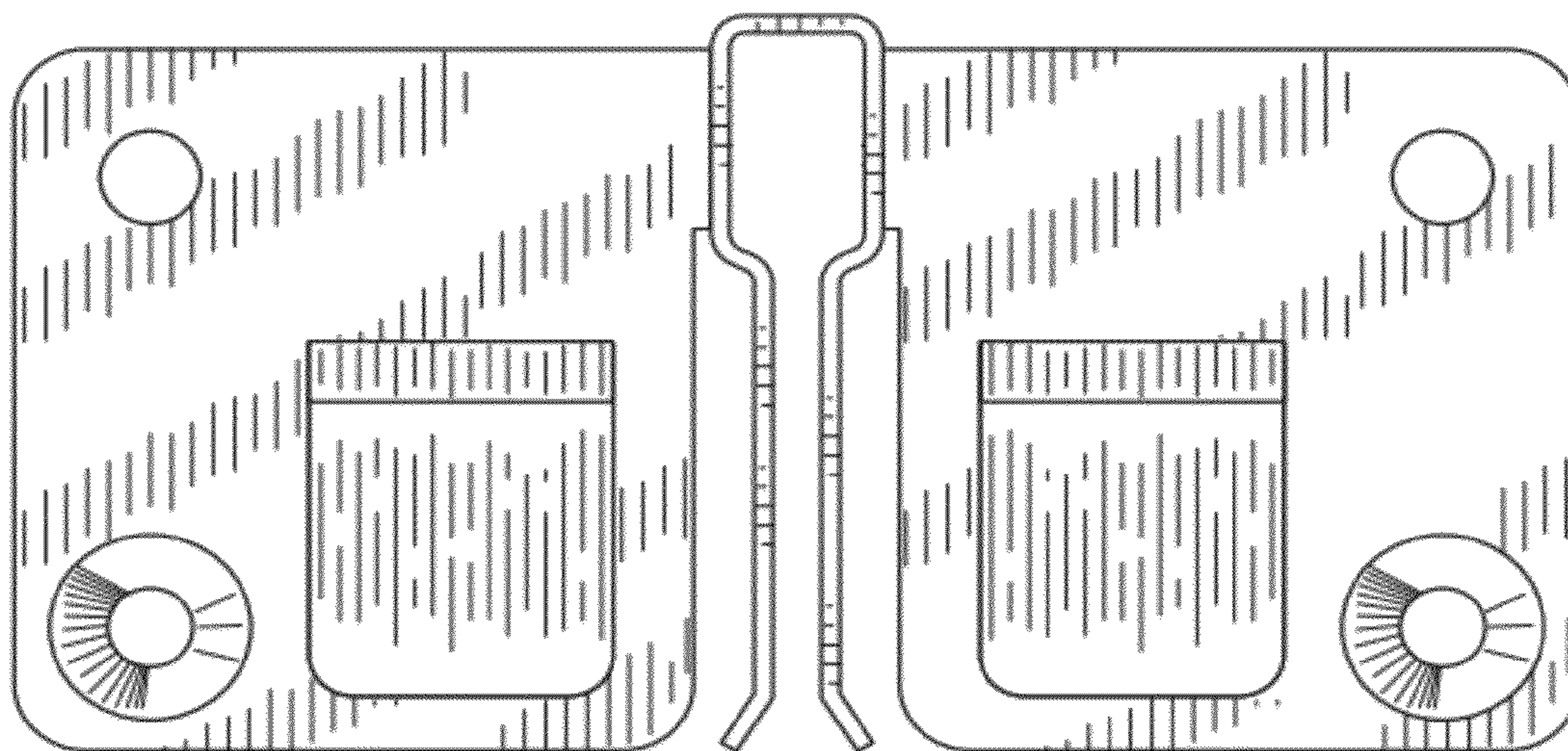
FIGS. 6 and 7 are top and bottom views of the clip of FIG. 1.

**1 Claim, 5 Drawing Sheets**

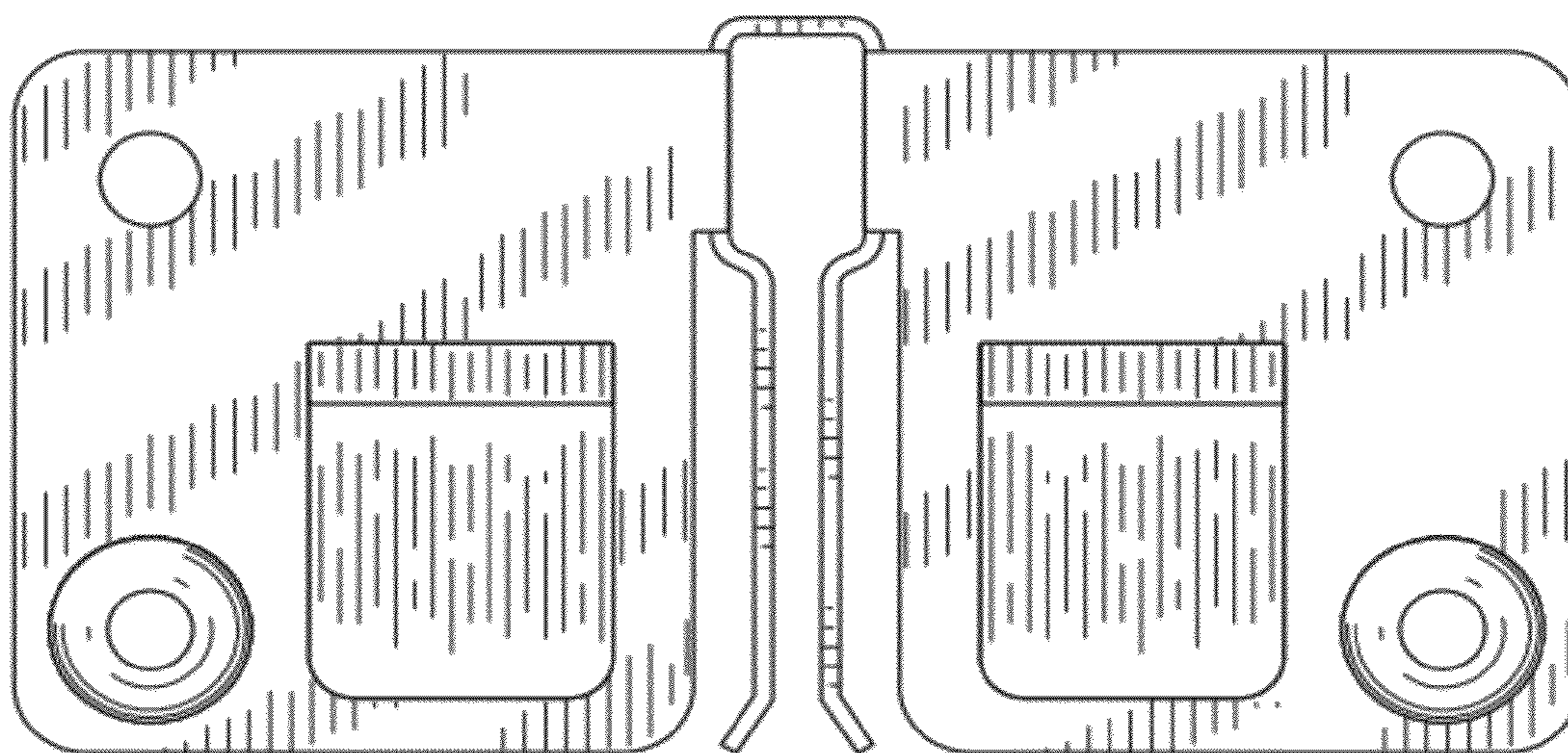




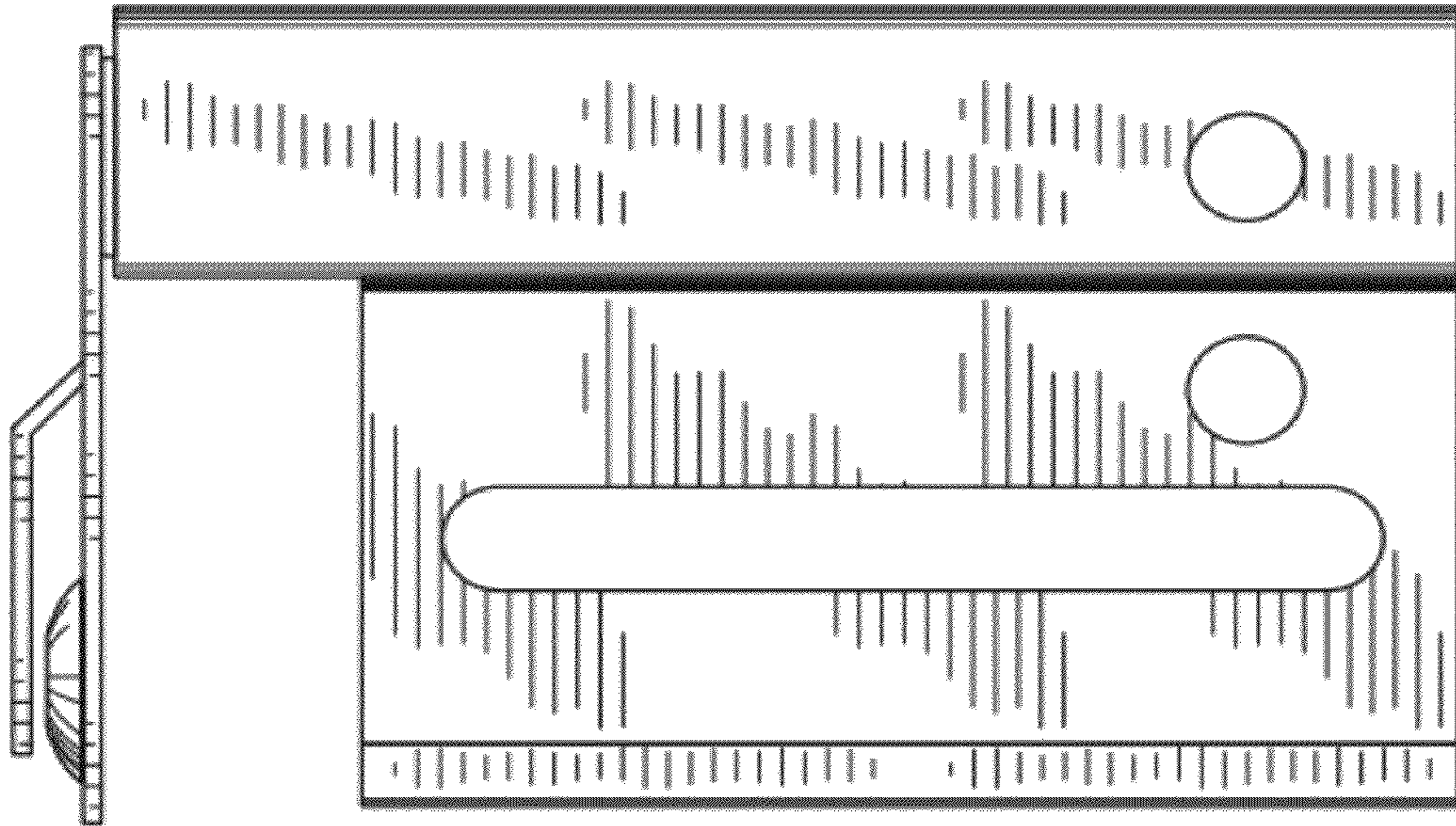
*FIG. 1*



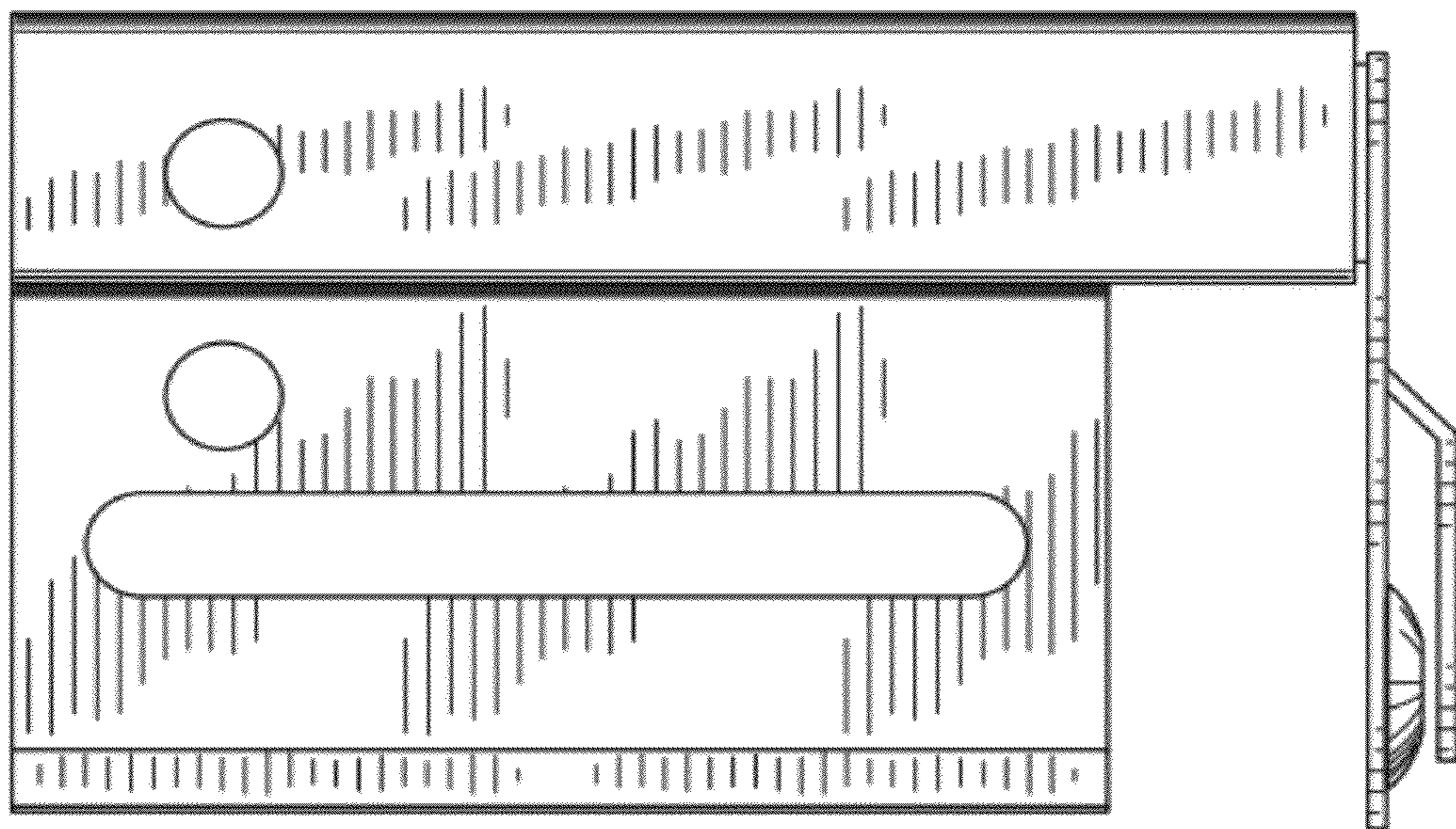
*FIG. 2*



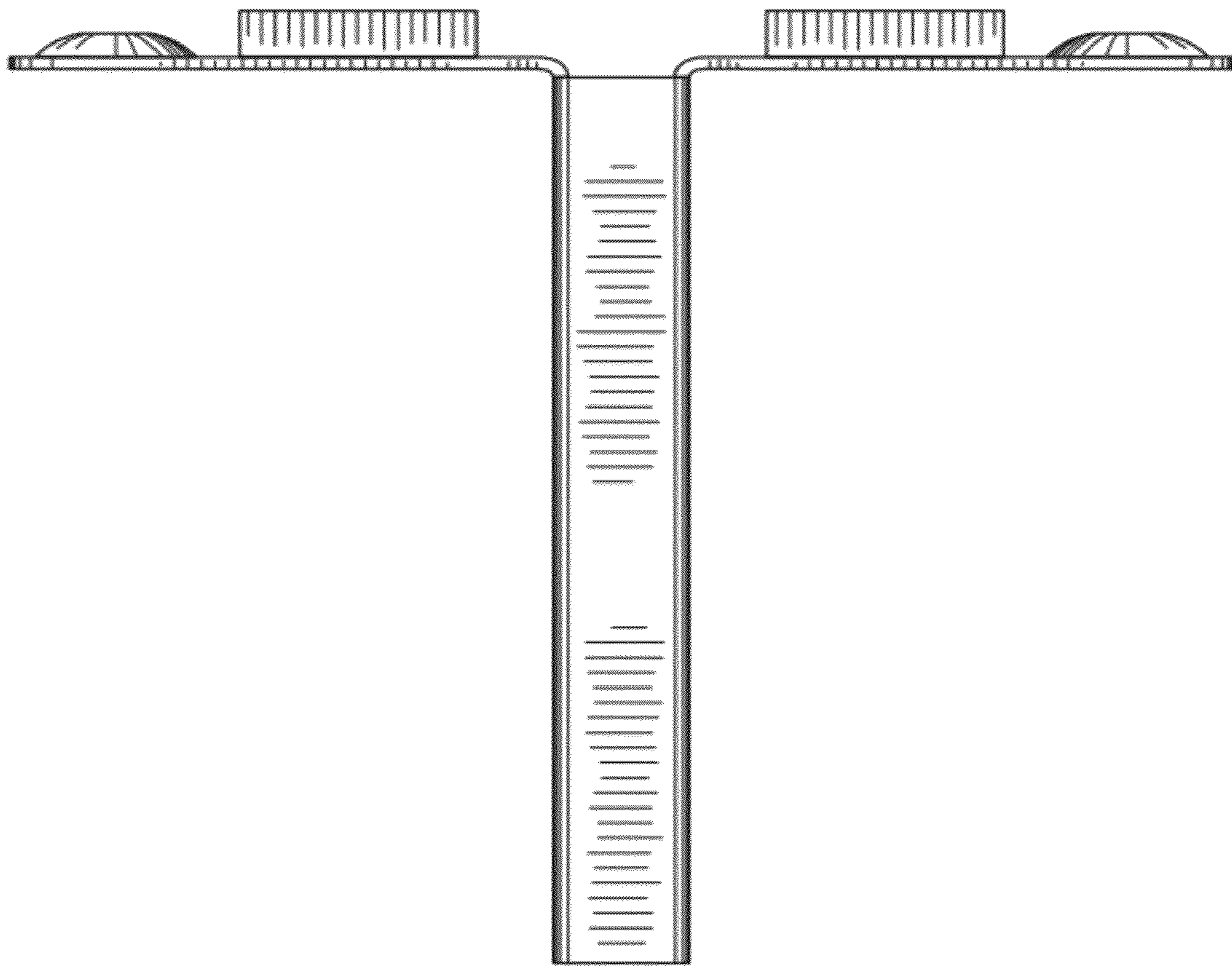
*FIG. 3*



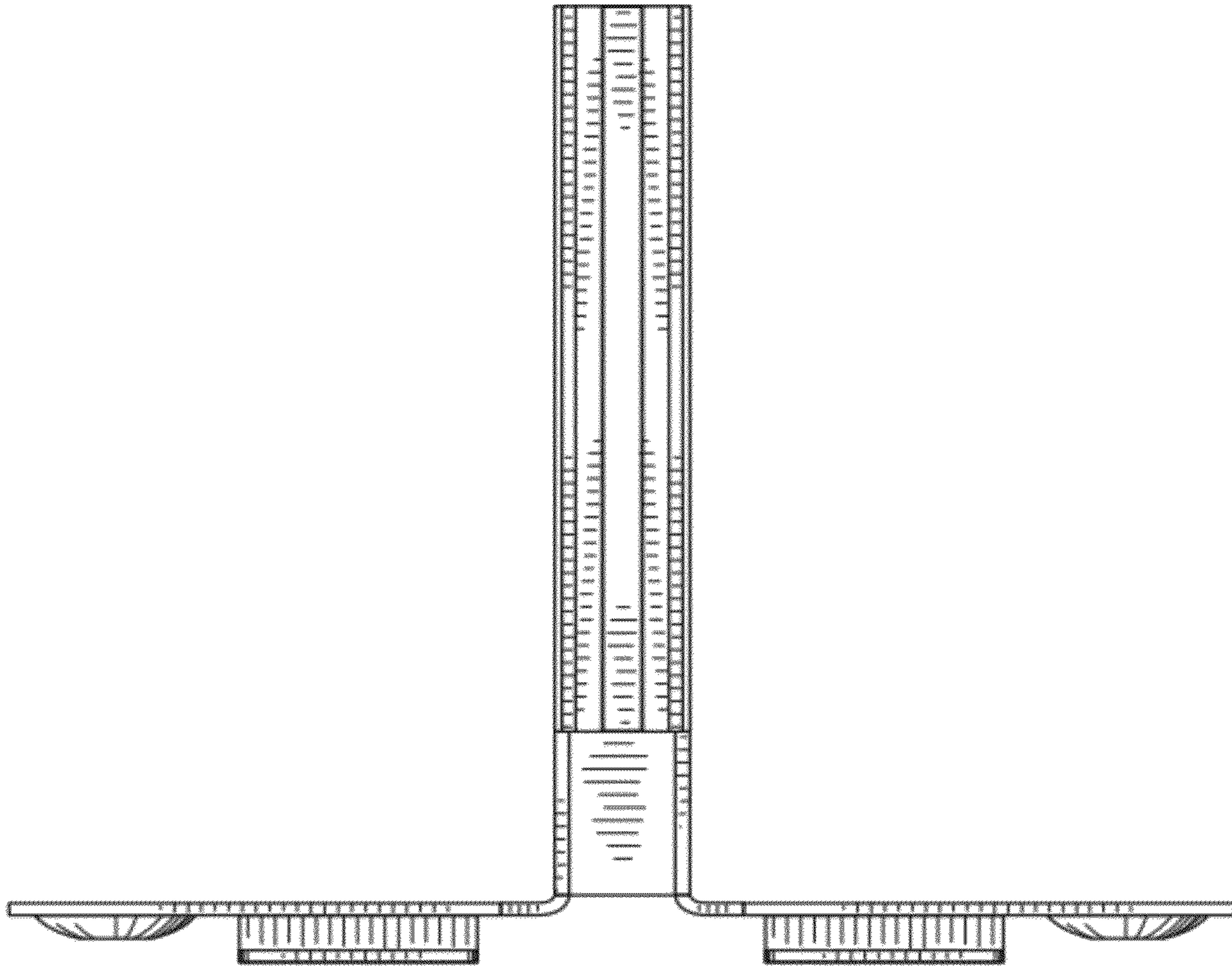
*FIG. 4*



*FIG. 5*



*FIG. 6*



*FIG. 7*