



US00D662405S

(12) **United States Design Patent**  
**Zhang et al.**

(10) **Patent No.:** **US D662,405 S**  
(45) **Date of Patent:** **\*\* Jun. 26, 2012**

- (54) **SEISMIC PERIMETER CLIP FOR SUSPENSION CEILING SYSTEM**
- (75) Inventors: **Yuxiang Zhang**, Bradenton, FL (US);  
**Monika Mathur**, Conshohocken, PA (US)
- (73) Assignee: **Certainteed Corporation**, Valley Forge, PA (US)
- (\*\*) Term: **14 Years**
- (21) Appl. No.: **29/408,506**
- (22) Filed: **Dec. 13, 2011**
- (51) **LOC (9) Cl.** ..... **08-08**
- (52) **U.S. Cl.** ..... **D8/394; D8/380**
- (58) **Field of Classification Search** ..... D8/356,  
D8/371, 394-396, 380; 24/570; 248/74.2,  
248/215, 227.1, 49, 300, 301, 316.7, 51,  
248/489; D19/65, 56; 52/484, 489, 506.06,  
52/506.07, 733.1; D23/133, 134  
See application file for complete search history.

7,293,393	B2	11/2007	Kelly et al.	
7,552,567	B2	6/2009	Ingratta et al.	
7,614,195	B2 *	11/2009	Platt et al.	52/506.06
D617,913	S	6/2010	Shanes et al.	
7,770,349	B2	8/2010	Tedesco et al.	
7,788,872	B2	9/2010	Platt	
D637,899	S	5/2011	Tedesco et al.	
D638,286	S *	5/2011	Tedesco et al.	D8/394
D638,287	S *	5/2011	Tedesco et al.	D8/394
D638,288	S	5/2011	Tedesco et al.	
D638,289	S	5/2011	Tedesco et al.	
2005/0160696	A1 *	7/2005	Kelly et al.	52/712
2008/0060306	A1 *	3/2008	Platt et al.	52/506.06
2009/0165417	A1	7/2009	Jankovec et al.	
2011/0146194	A1	6/2011	Tedesco et al.	

\* cited by examiner

*Primary Examiner* — John Windmuller

(74) *Attorney, Agent, or Firm* — Abel Law Group, LLP;  
Alexander H. Plache

(57) **CLAIM**

The ornamental design for a seismic perimeter clip for suspension ceiling system, as shown and described.

**DESCRIPTION**

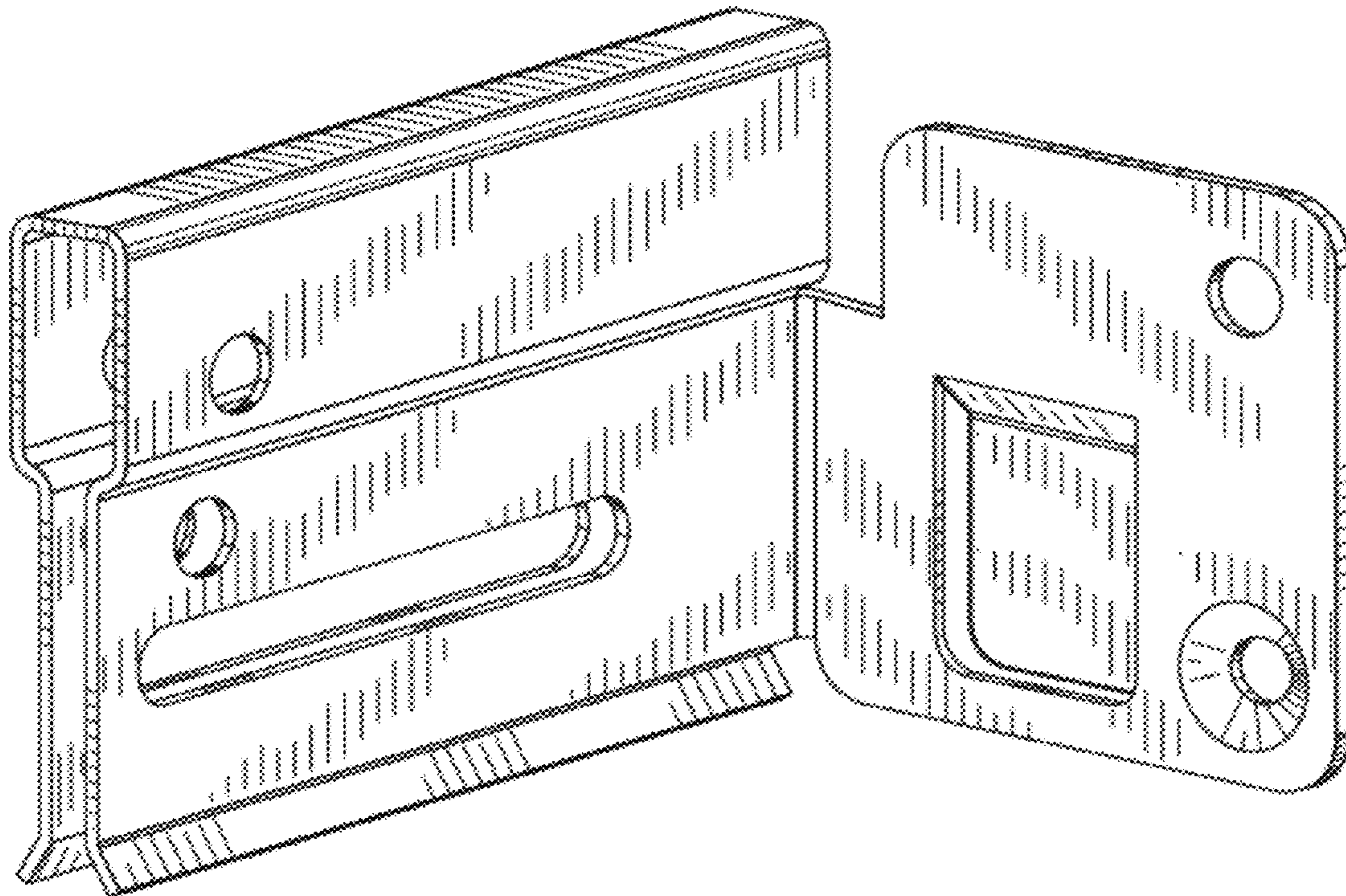
FIG. 1 is an isometric view of a seismic perimeter clip for suspension ceiling system showing our new design. FIGS. 2 and 3 are front and back views of the clip of FIG. 1; FIGS. 4 and 5 are side views of the clip of FIG. 1; and, FIGS. 6 and 7 are top and bottom views of the clip of FIG. 1.

**1 Claim, 4 Drawing Sheets**

(56) **References Cited**

U.S. PATENT DOCUMENTS

4,479,341	A	10/1984	Schuplin
D309,027	S	7/1990	Noone et al.
5,046,294	A	9/1991	Platt



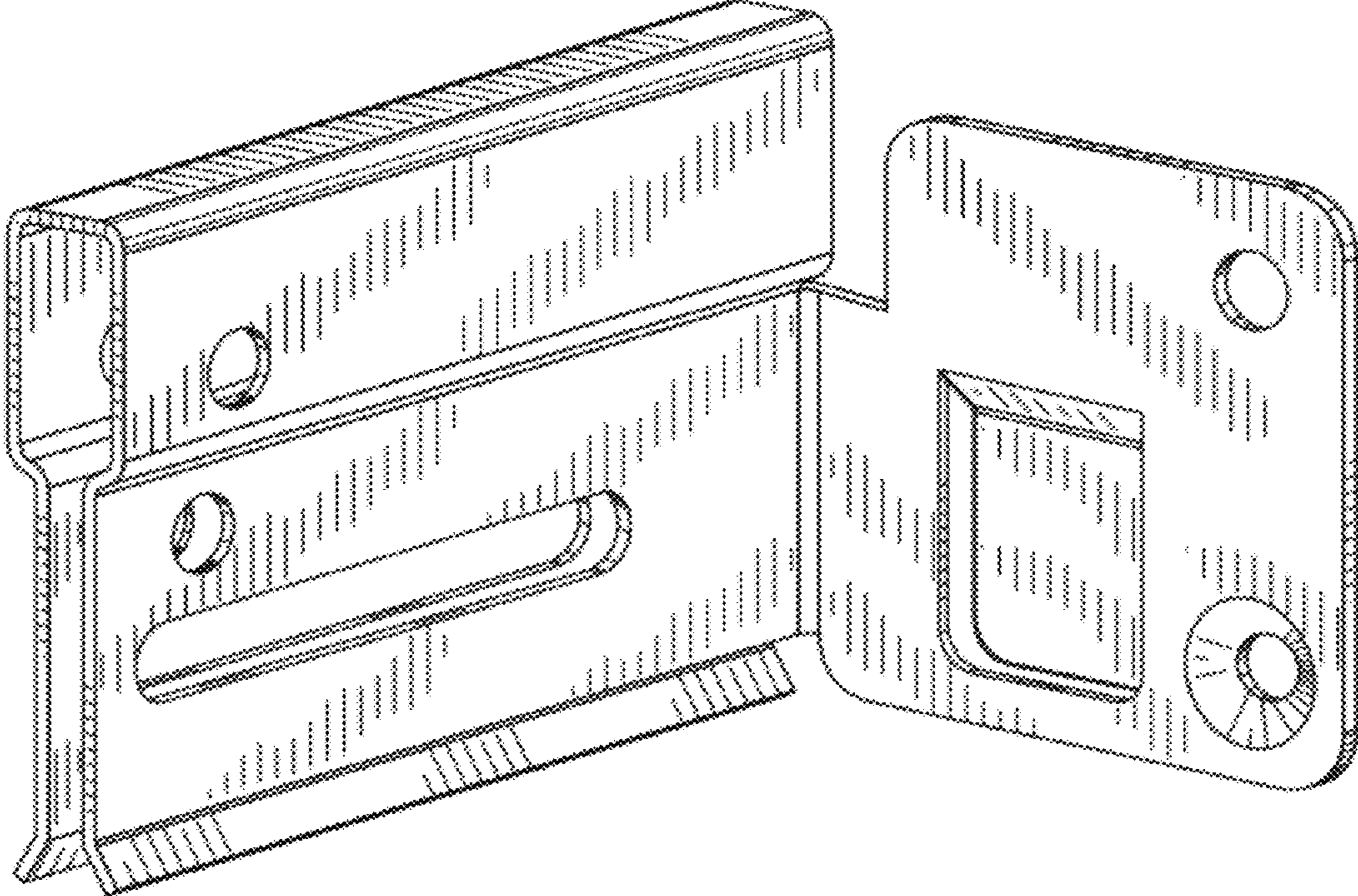
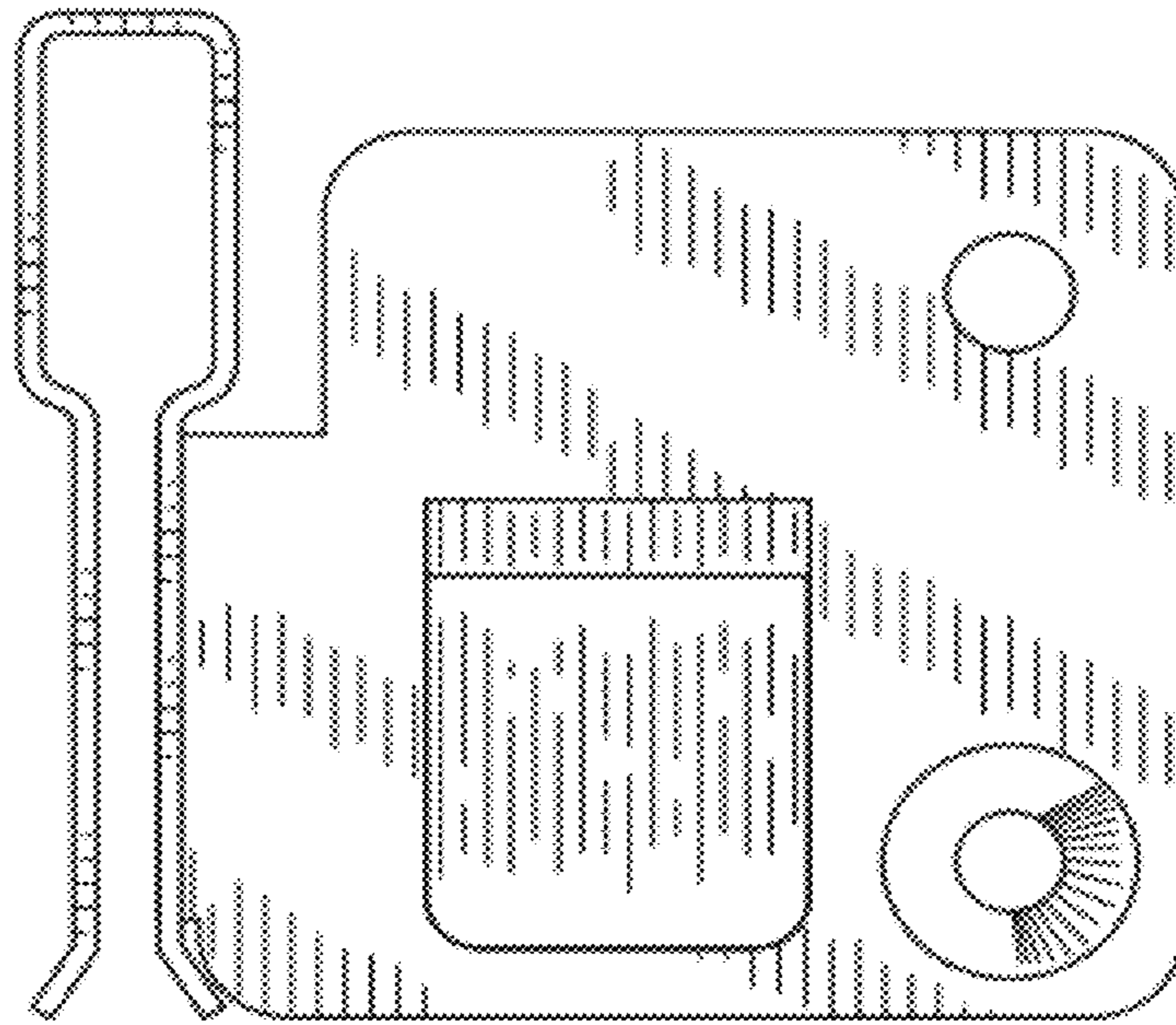
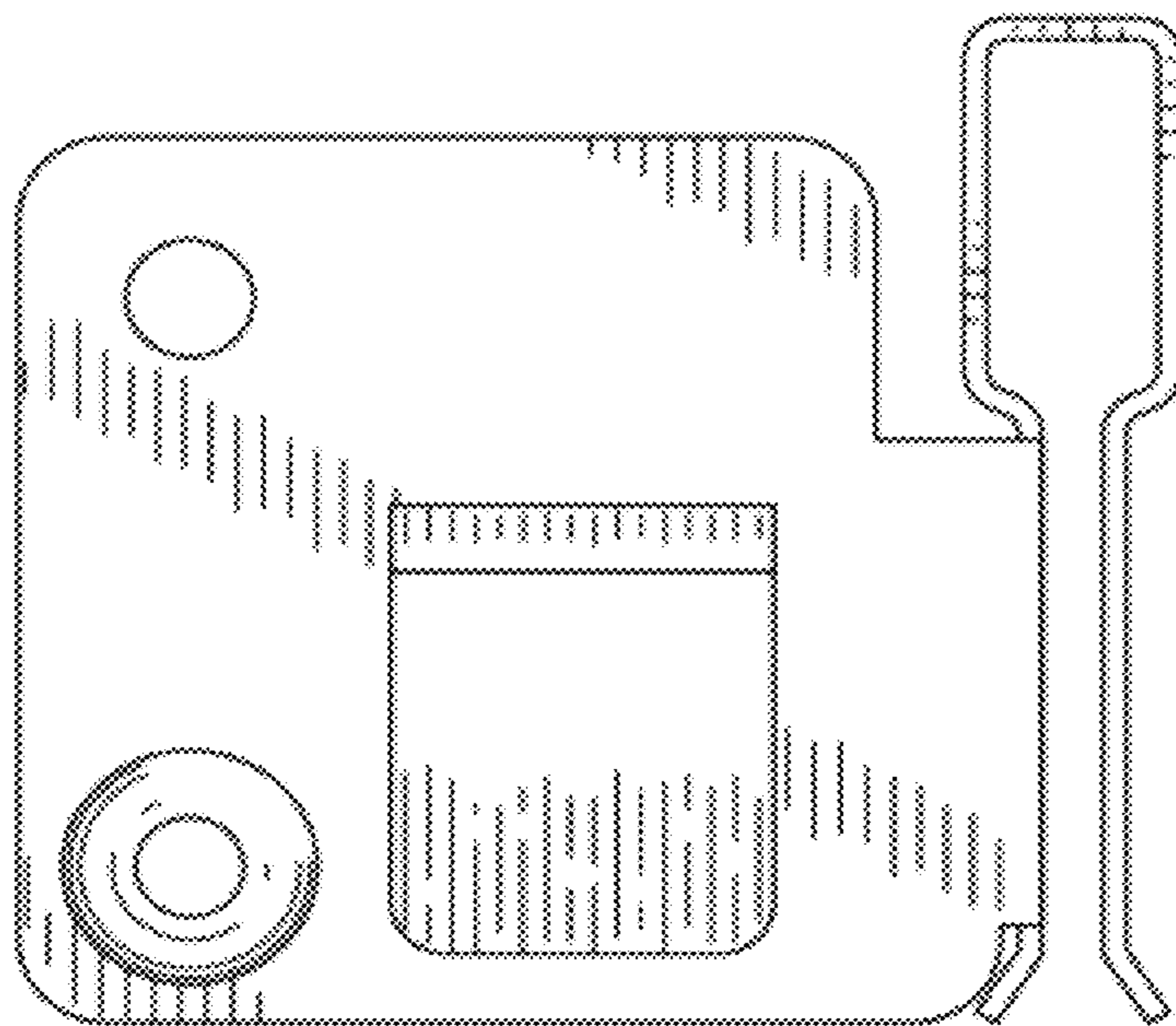


FIG. 1



*FIG. 2*



*FIG. 3*

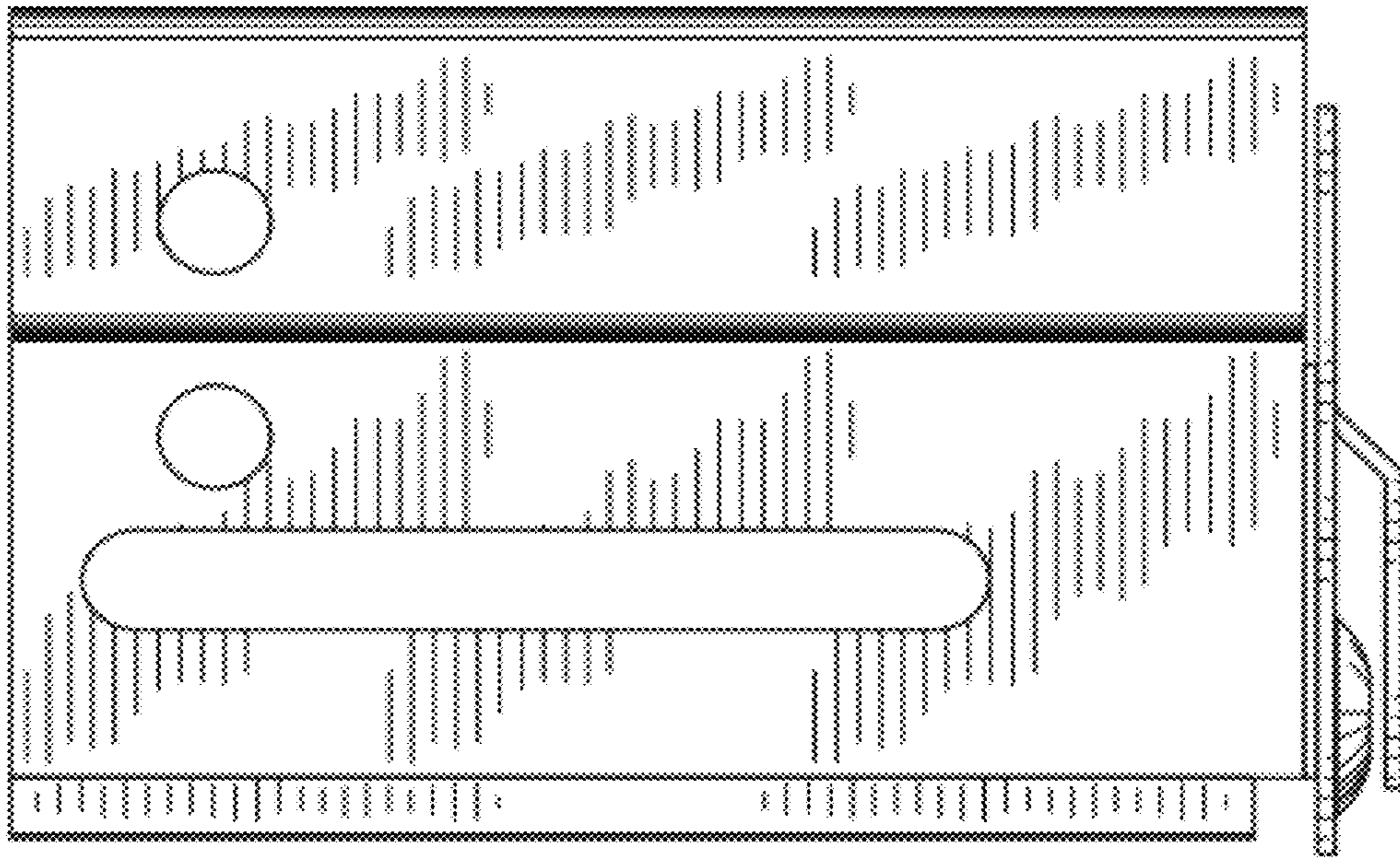


FIG. 4

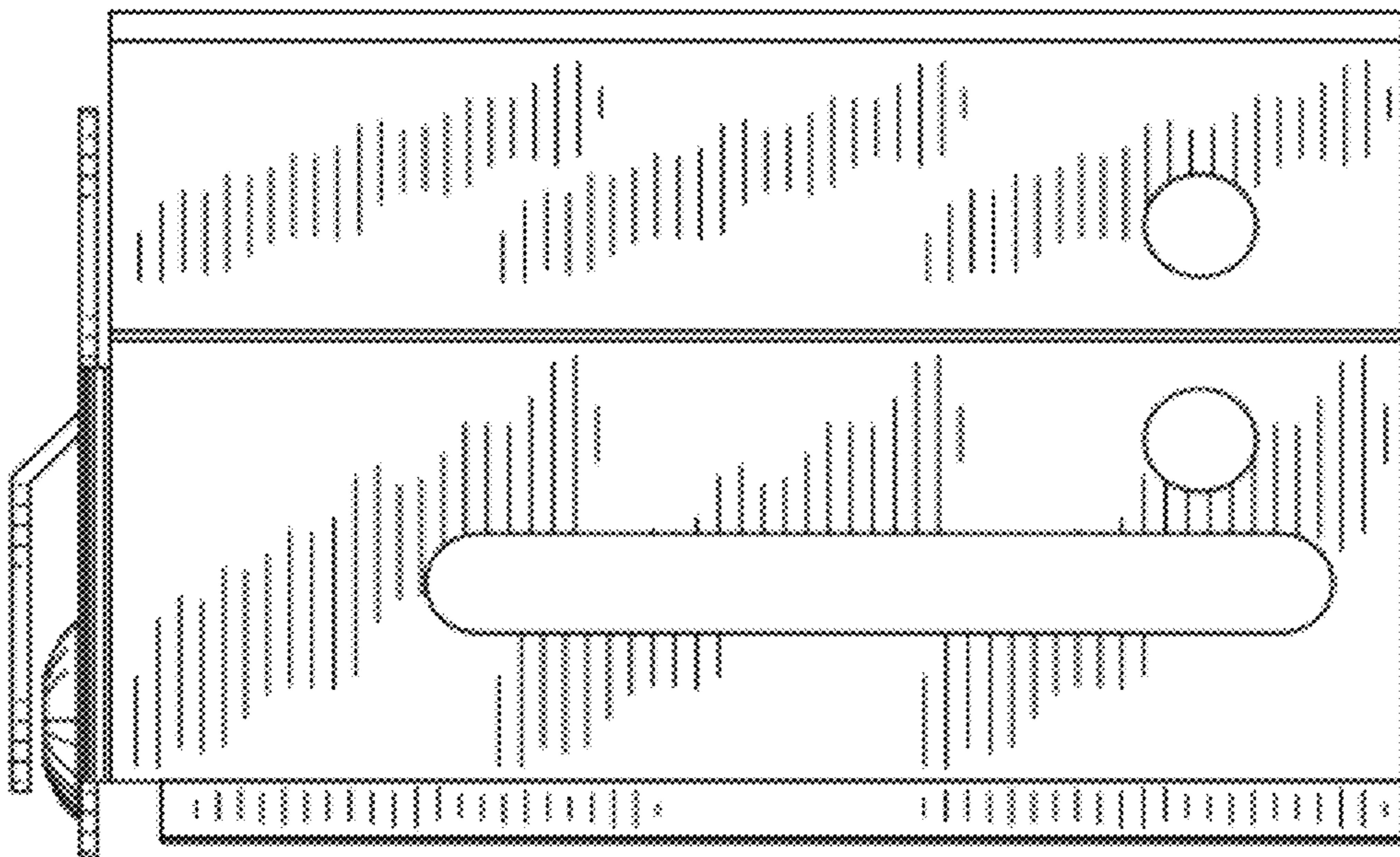


FIG. 5

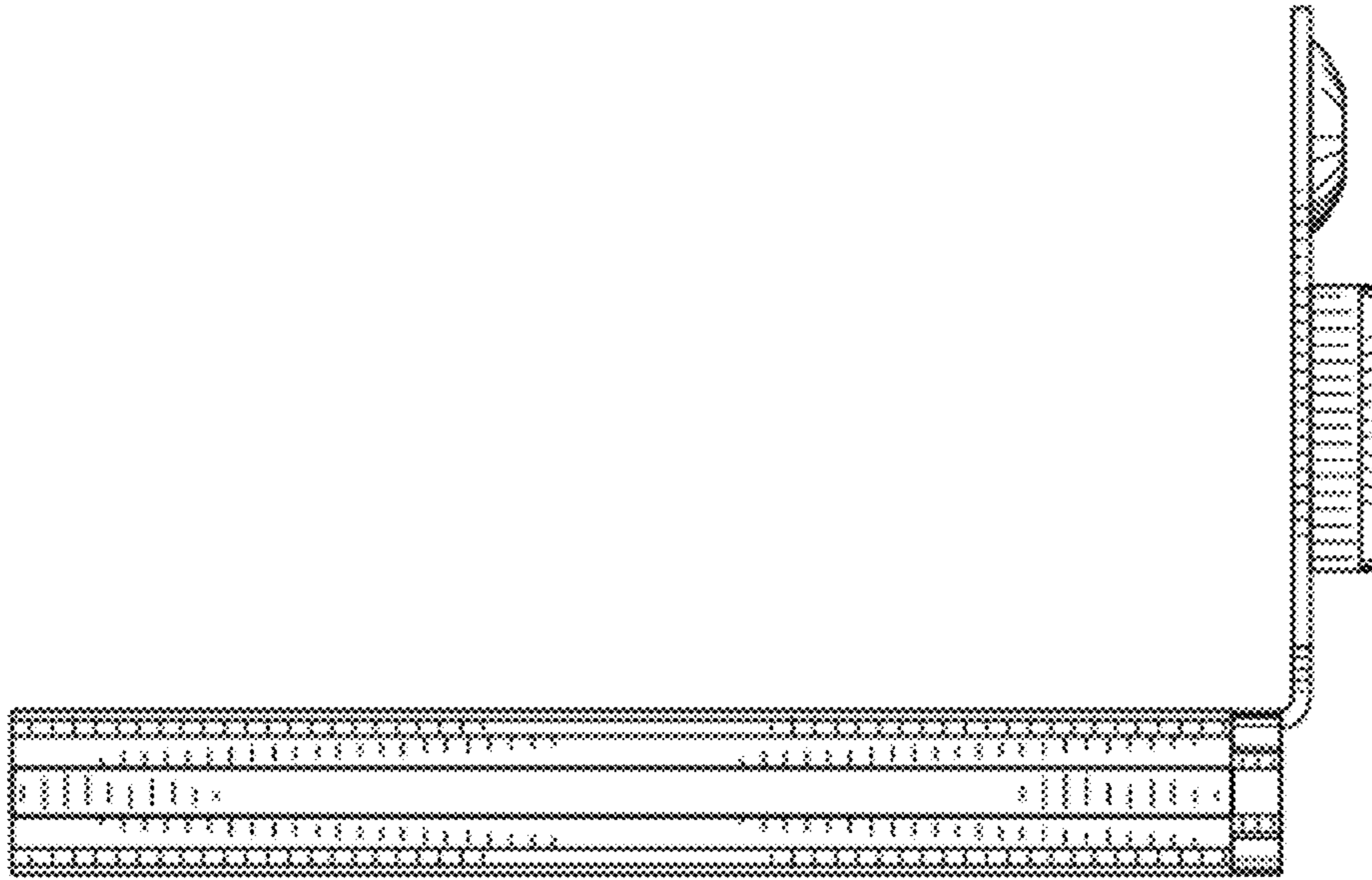


FIG. 6

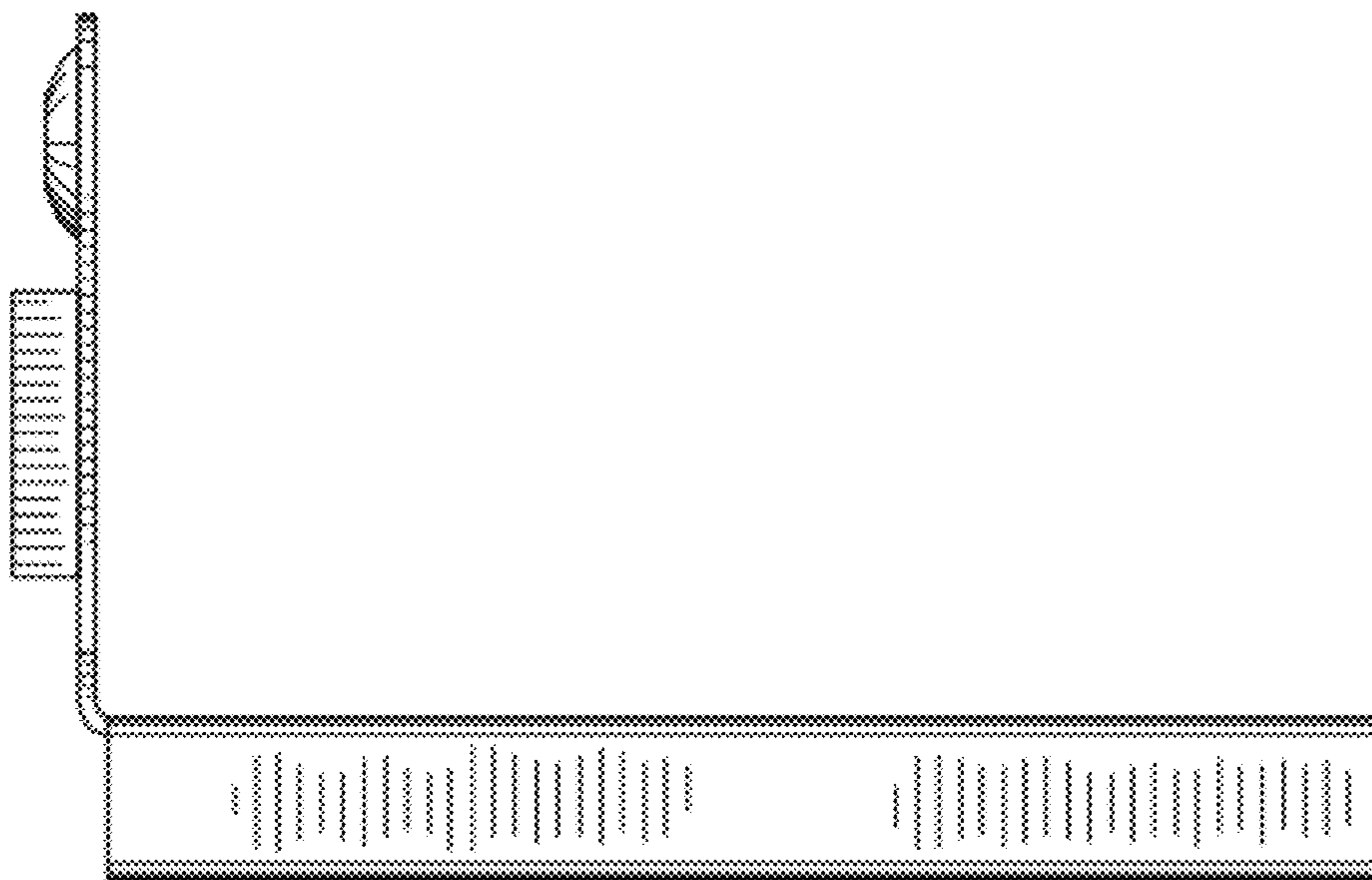


FIG. 7