

US00D662403S

(12) **United States Design Patent**
Page

(10) **Patent No.:** **US D662,403 S**
(45) **Date of Patent:** **** Jun. 26, 2012**

(54) **TRACK FOR A FOLDING DOOR**

(75) Inventor: **Louise Helen Page**, Sydney (AU)

(73) Assignee: **RMD Industries Pty Ltd**, Sunshine, Victoria (AU)

(**) Term: **14 Years**

(21) Appl. No.: **29/387,542**

(22) Filed: **Mar. 15, 2011**

(30) **Foreign Application Priority Data**

Sep. 15, 2010 (AU) 14013/2010
Sep. 15, 2010 (AU) 14909/2010

(51) **LOC (9) Cl.** **08-05**

(52) **U.S. Cl.** **D8/377; D25/121**

(58) **Field of Classification Search** D8/377;
16/94 R, 99, 87 B, 106, 42 R, 96 R, DIG. 1;
49/143, 146, 147, 156, 159, 158, 221, 209,
49/212, 213, 208, 229, 214; 52/238.1; D25/121
See application file for complete search history.

(56) **References Cited**

U.S. PATENT DOCUMENTS

3,086,478 A * 4/1963 Schreyer 104/108
3,975,862 A * 8/1976 Doan 49/409
4,141,106 A * 2/1979 Dixon 16/89
D268,809 S * 5/1983 Marontate D8/377

4,991,257 A * 2/1991 Eutebach 16/87 R
5,280,686 A * 1/1994 Davies 49/209
6,662,502 B2 * 12/2003 Janutta et al. 49/143

OTHER PUBLICATIONS

Price Guide May 2002, Henderson®, Weatherfold Coastal.
Marketing Communications 2005, Henderson, Product Editorial/
Press Release.
Henderson®, General Information Bulletin, Single Run 120, Nov.
14, 2005.

* cited by examiner

Primary Examiner — Doris Clark

(74) *Attorney, Agent, or Firm* — Kilpatrick Townsend &
Stockton LLP

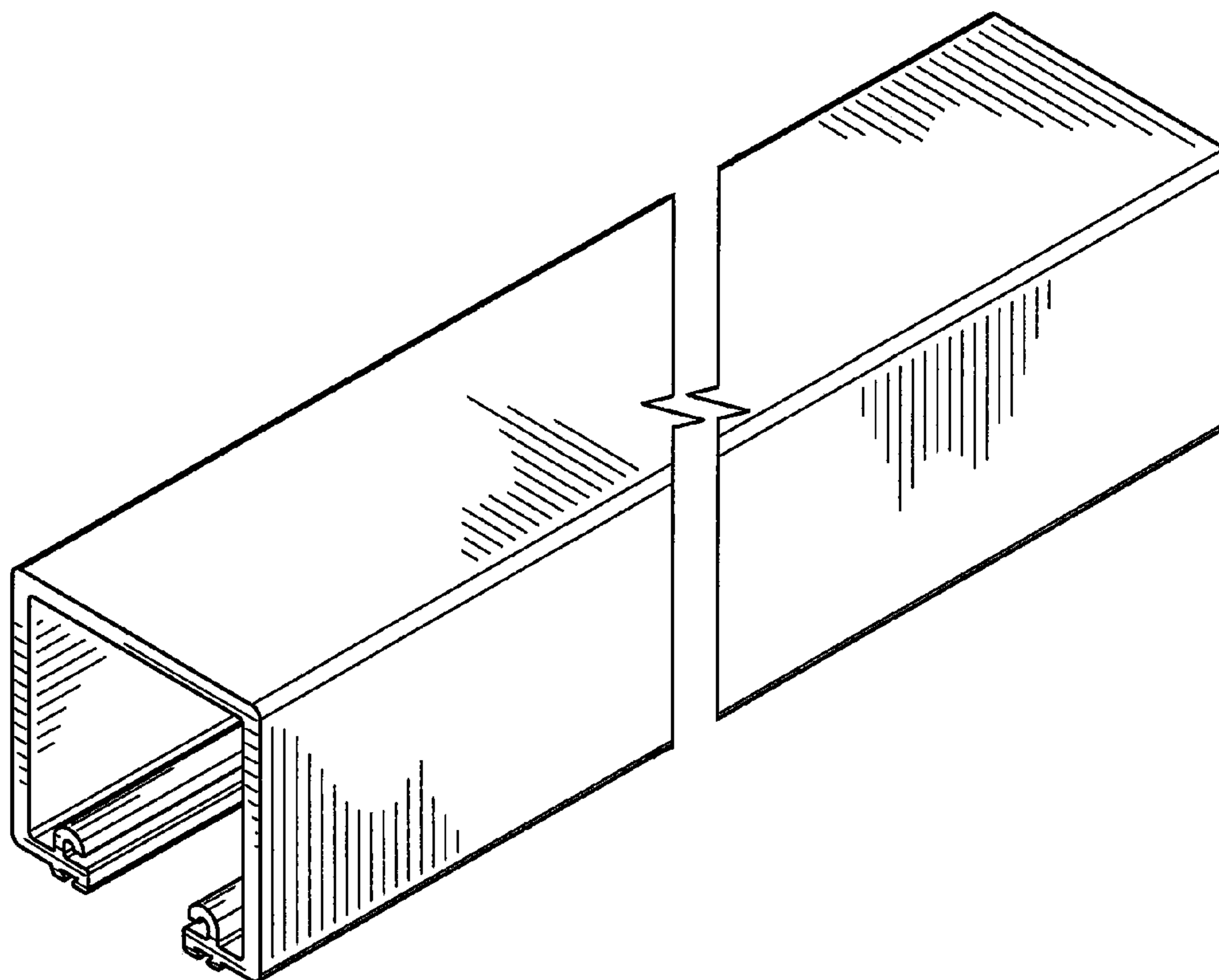
(57) **CLAIM**

The ornamental design for track for a folding door, as shown
and described.

DESCRIPTION

FIG. 1 is a perspective view of a first embodiment of a track
for a folding door showing my new design;
FIG. 2 is an end view of the track for a folding door of FIG. 1;
FIG. 3 is a perspective view of a second embodiment of a
track for a folding door; and,
FIG. 4 is an end view of the track for a folding door of FIG. 3.
The claimed design is broken in the center indicating inde-
terminate length.

1 Claim, 2 Drawing Sheets



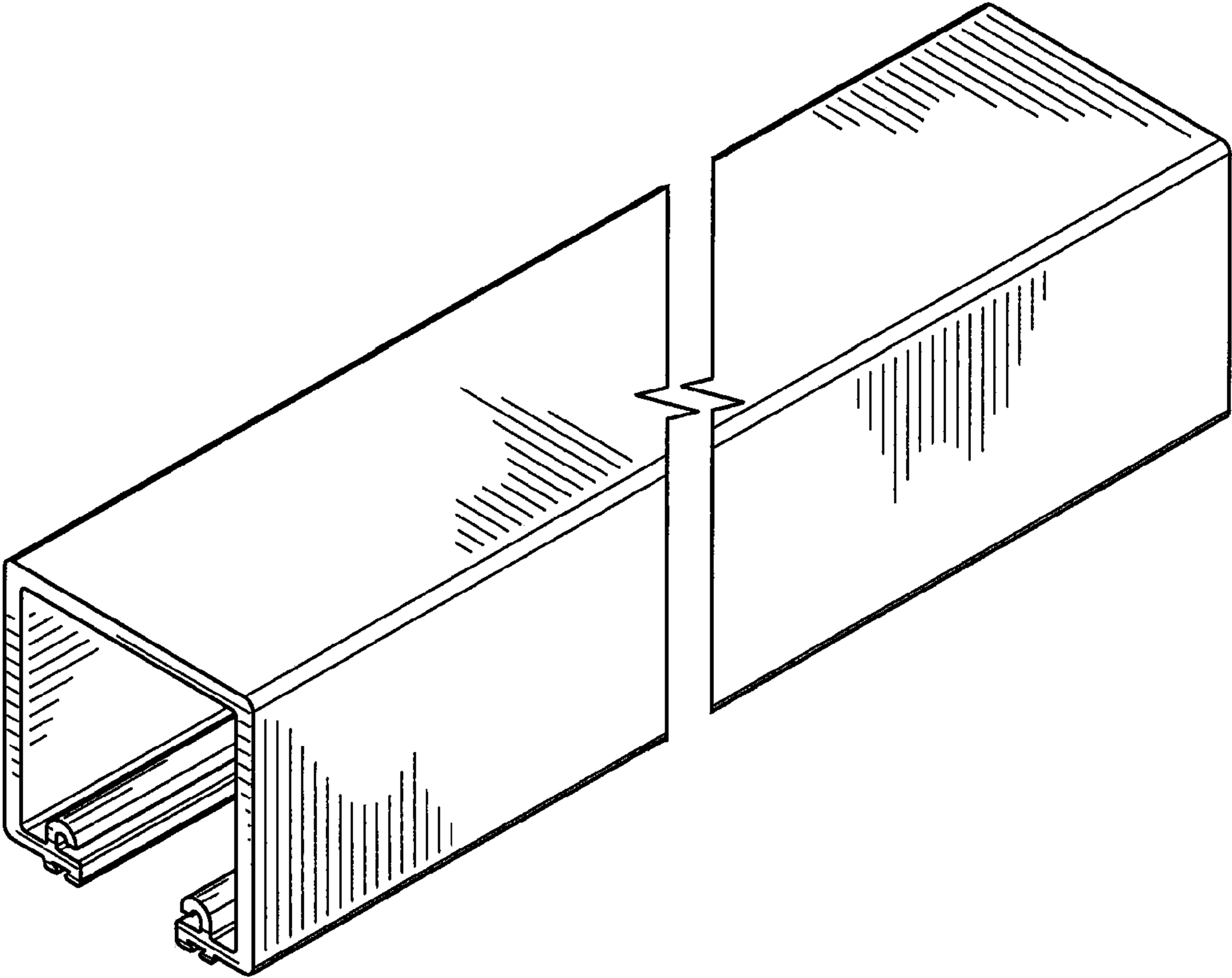


FIG. 1

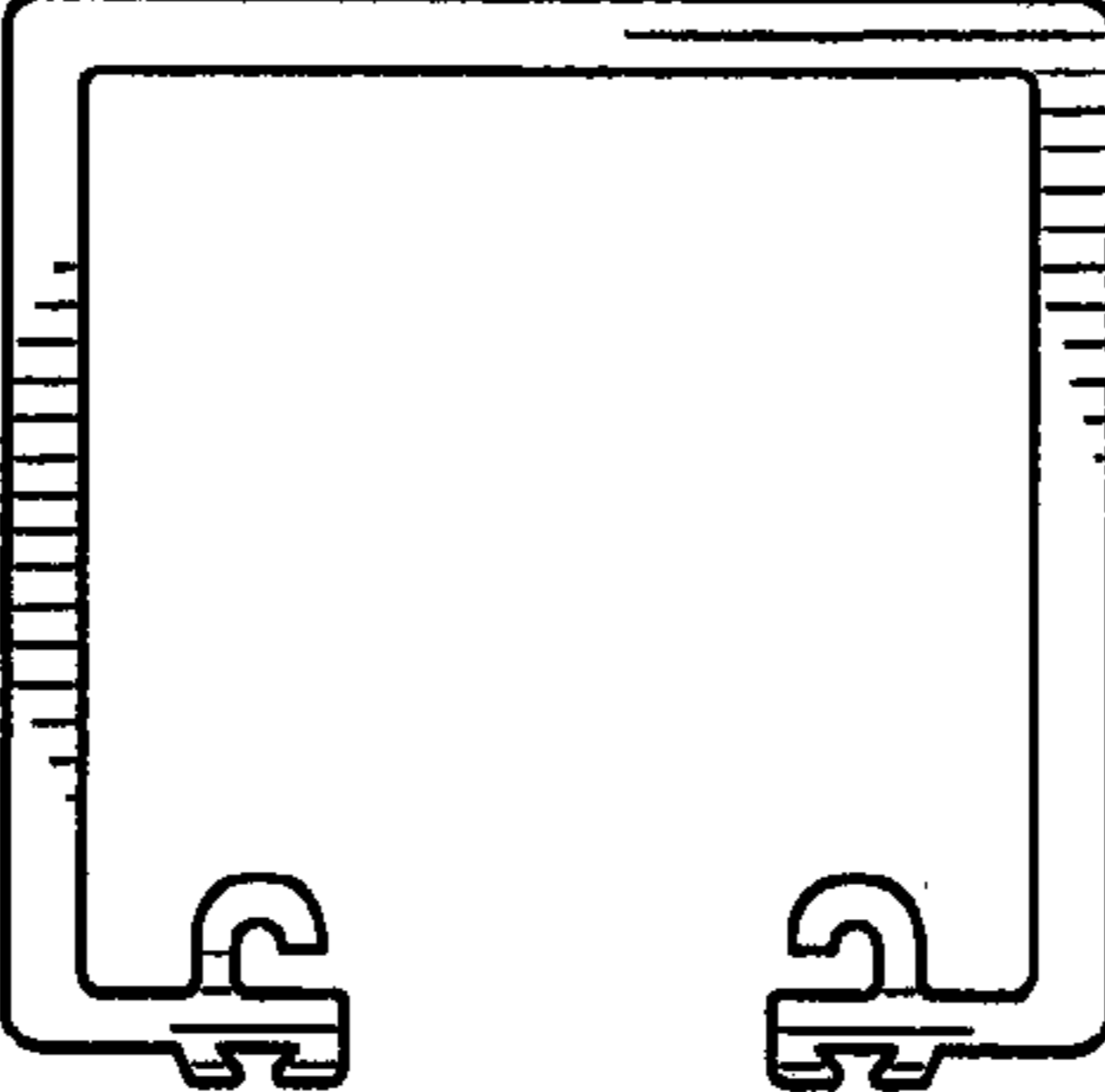


FIG. 2

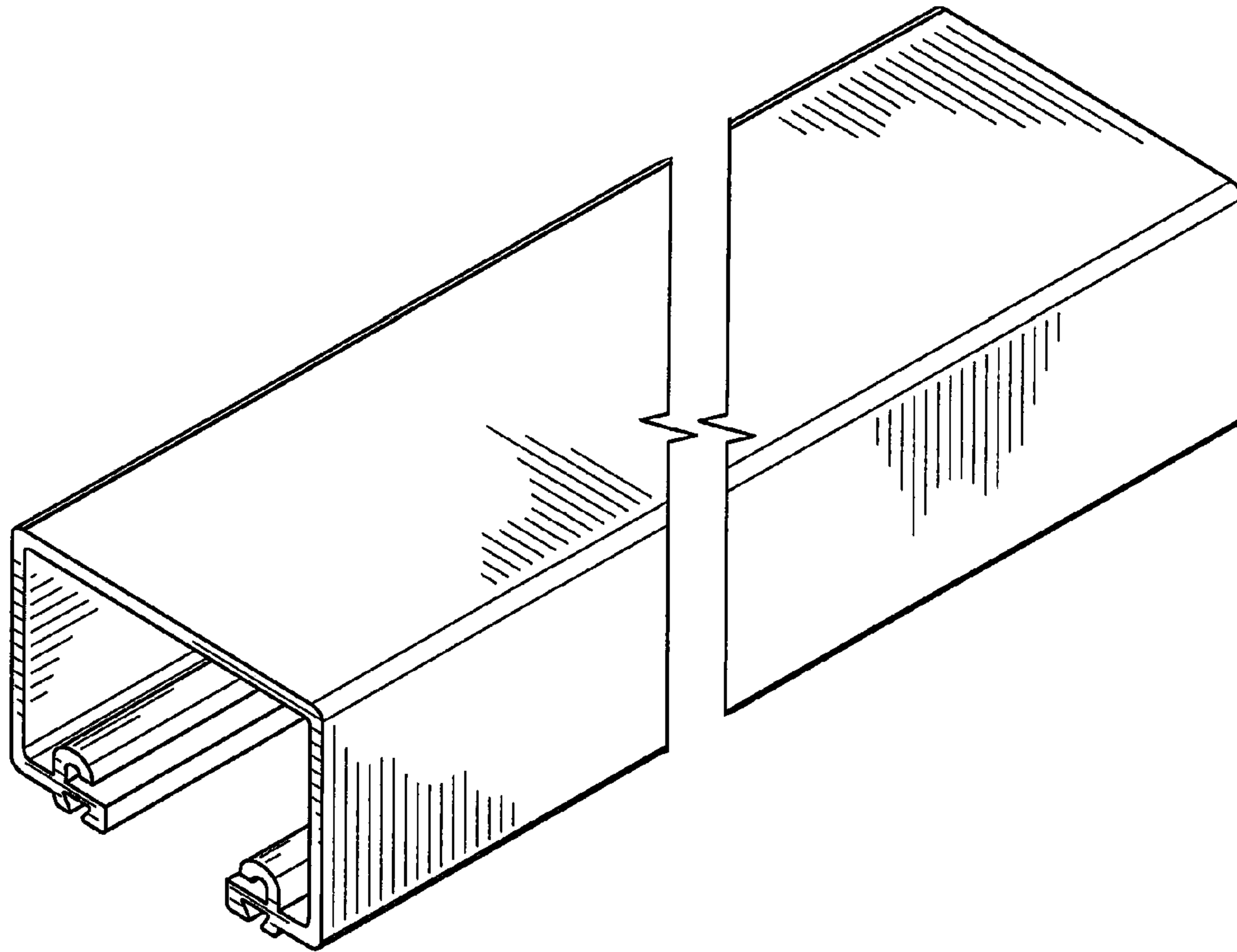


FIG. 3

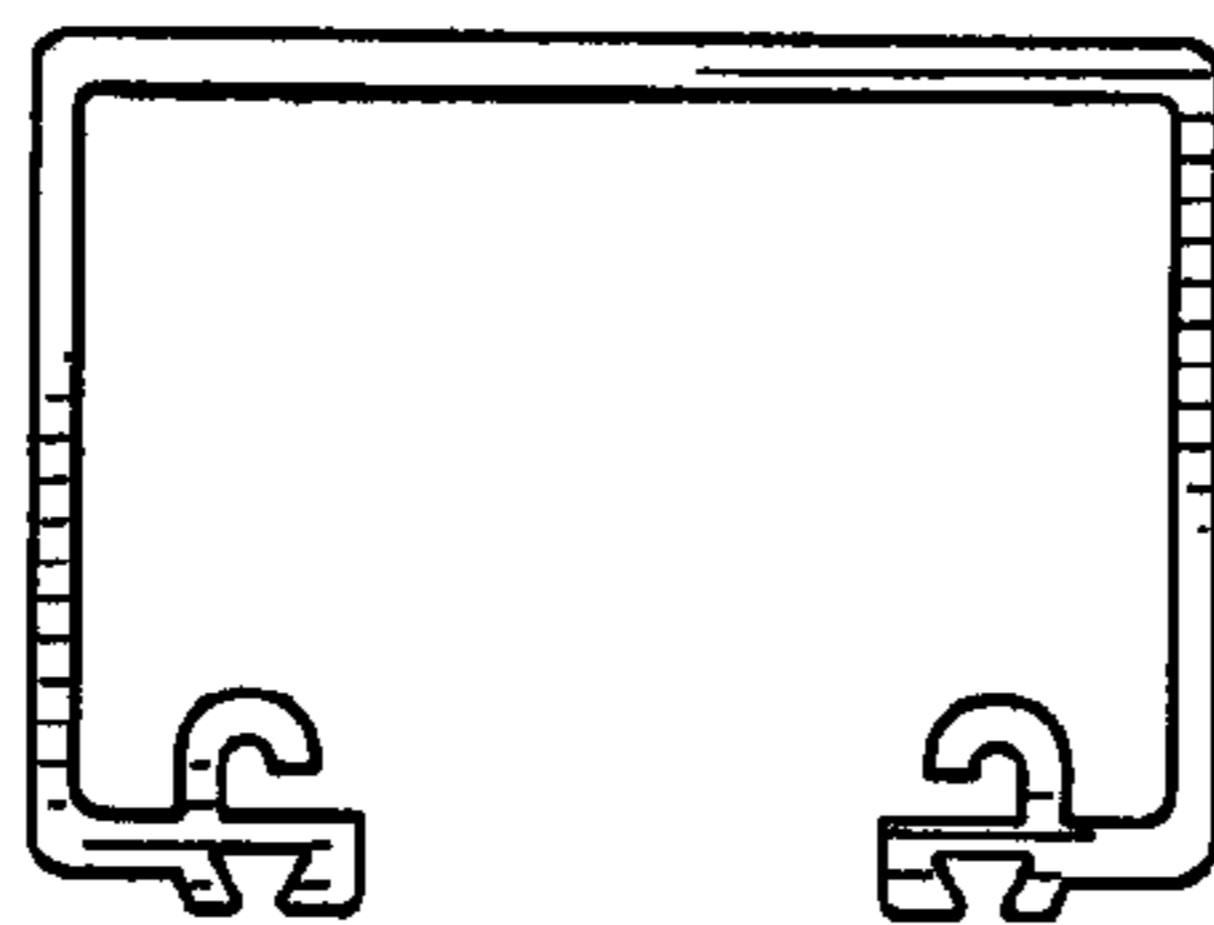


FIG. 4