

US00D662402S

(12) **United States Design Patent**  
**Elkaim**

(10) **Patent No.:** **US D662,402 S**

(45) **Date of Patent:** **\*\* Jun. 26, 2012**

(54) **PORTABLE CURTAIN ROD ASSEMBLY**

D432,004 S \* 10/2000 Lopez ..... D8/376  
D554,982 S \* 11/2007 Wenck ..... D8/376  
D617,631 S \* 6/2010 Bushey et al. .... D8/374

(75) Inventor: **Jacques Elkaim**, New York, NY (US)

\* cited by examiner

(73) Assignee: **Next Products (USA), LLC**, New York, NY (US)

*Primary Examiner* — Holly Baynham

(\*\*) Term: **14 Years**

(74) *Attorney, Agent, or Firm* — Charles E. Baxley

(21) Appl. No.: **29/374,931**

(57) **CLAIM**

I claim the ornamental design of a portable curtain rod assembly, as shown and described.

(22) Filed: **Oct. 26, 2011**

**DESCRIPTION**

(51) **LOC (9) Cl.** ..... **08-05**

(52) **U.S. Cl.** ..... **D8/376**

(58) **Field of Classification Search** ..... D8/376,  
D8/377; 248/251–253, 255–261, 271–273;  
160/38–39

See application file for complete search history.

FIG. 1 is a frontal, downward, leftward perspective view of a portable curtain rod assembly according to my design; FIG. 2 is a front elevational view thereof; FIG. 3 is a left elevational view thereof; FIG. 4 is a rear elevational view thereof; FIG. 5 is a right elevational view thereof; FIG. 6 is a top plan view thereof; and, FIG. 7 is a bottom perspective view thereof.

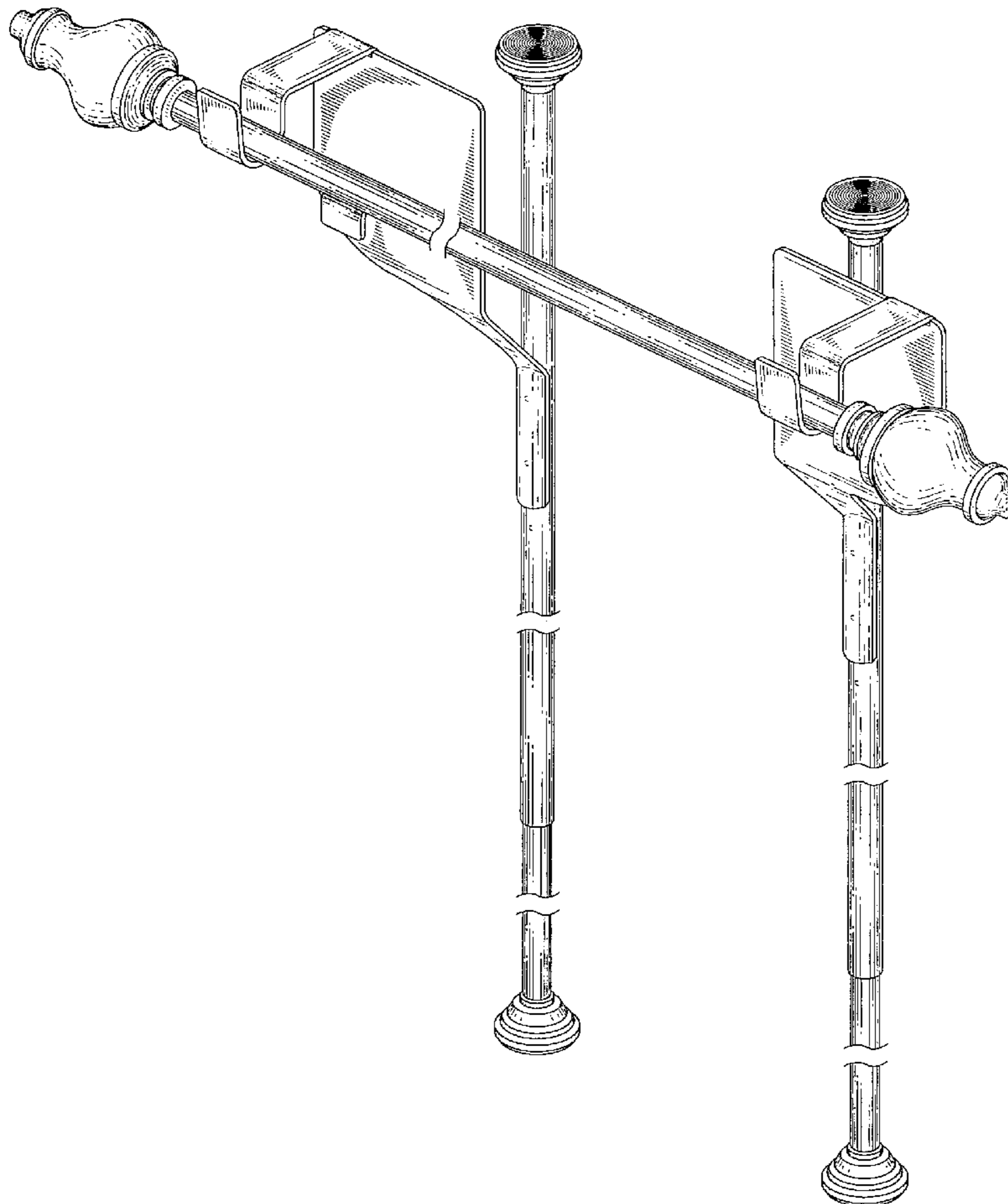
The rods of the claimed design are shown broken away to indicate indeterminate length.

(56) **References Cited**

**U.S. PATENT DOCUMENTS**

D45,772 S \* 5/1914 Sunseri ..... D8/376  
1,242,345 A \* 10/1917 Grimm ..... 248/258  
D60,046 S \* 12/1921 Lojewski ..... D8/376

**1 Claim, 7 Drawing Sheets**



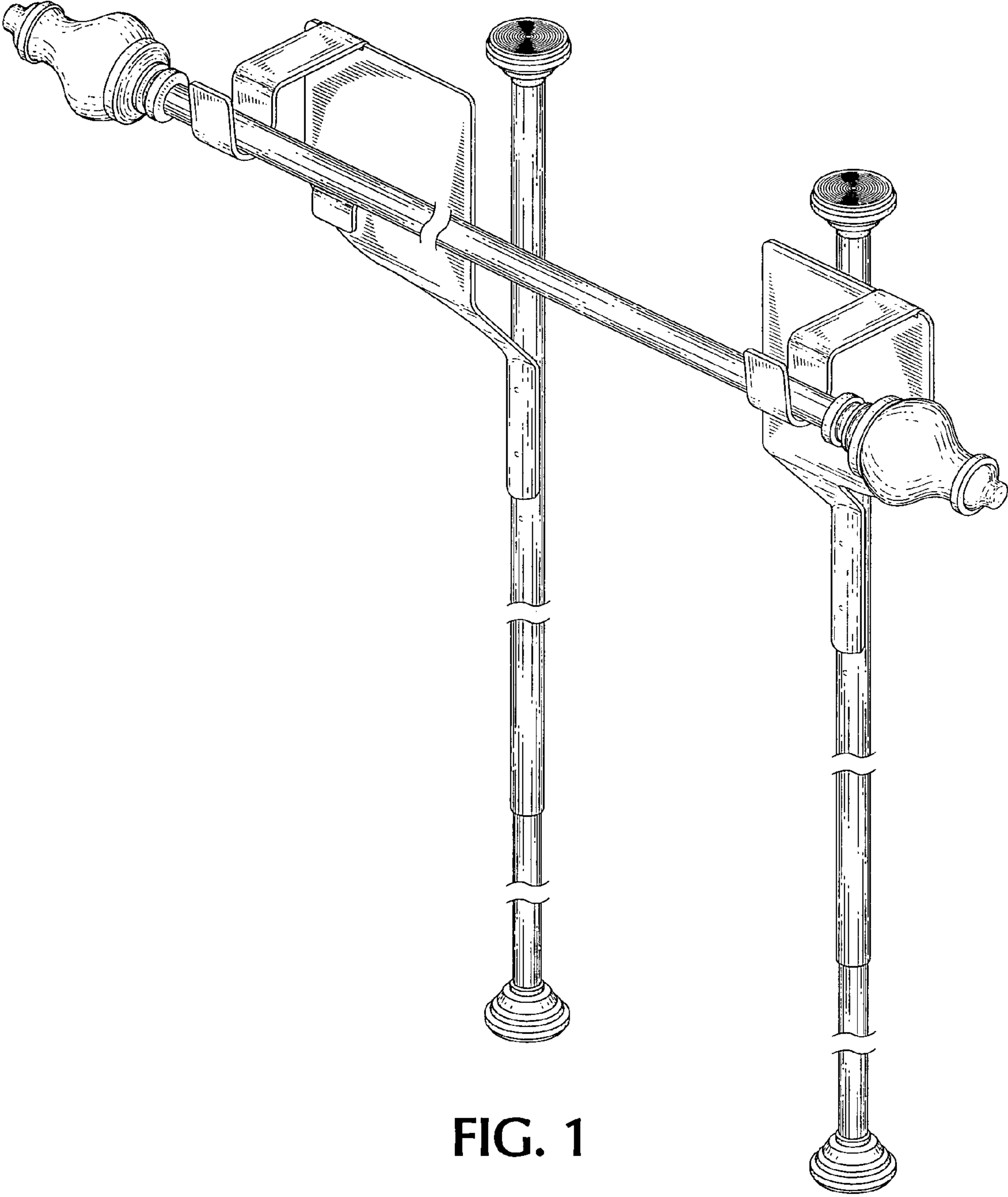


FIG. 1

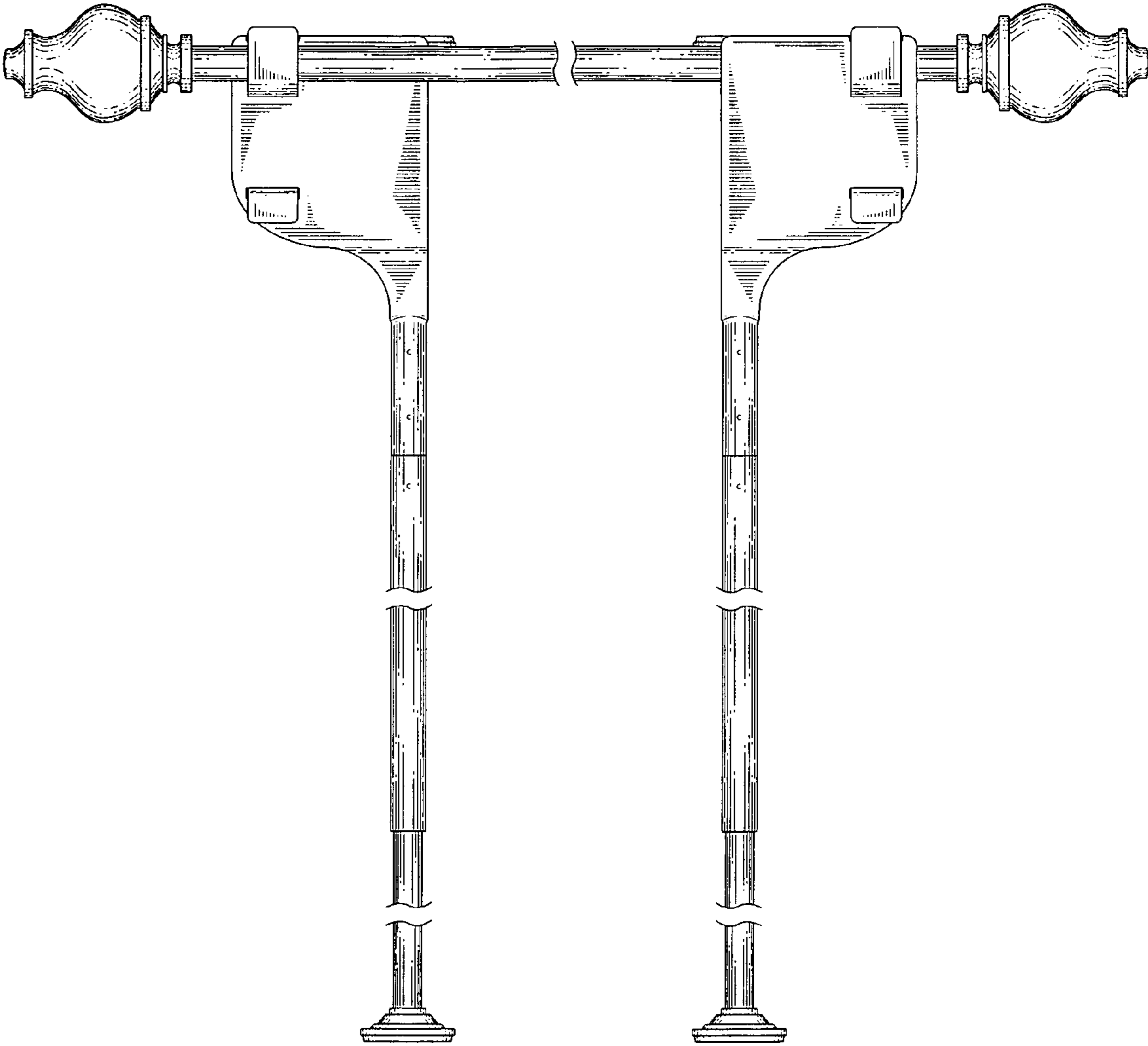


FIG. 2

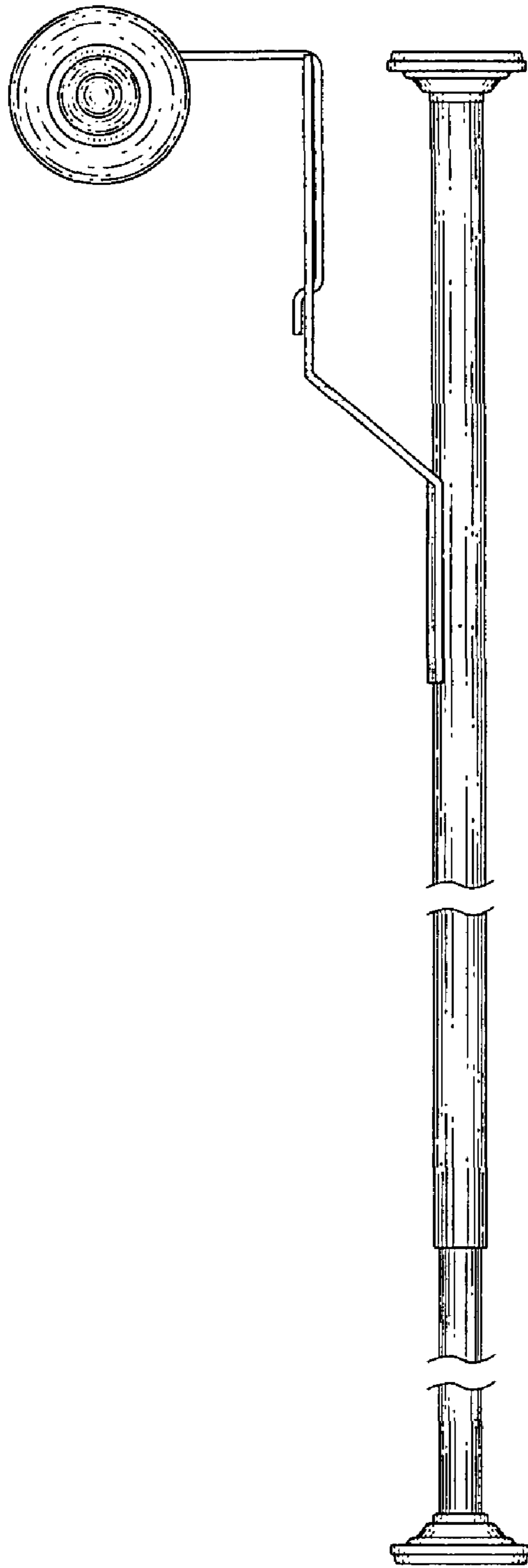


FIG. 3

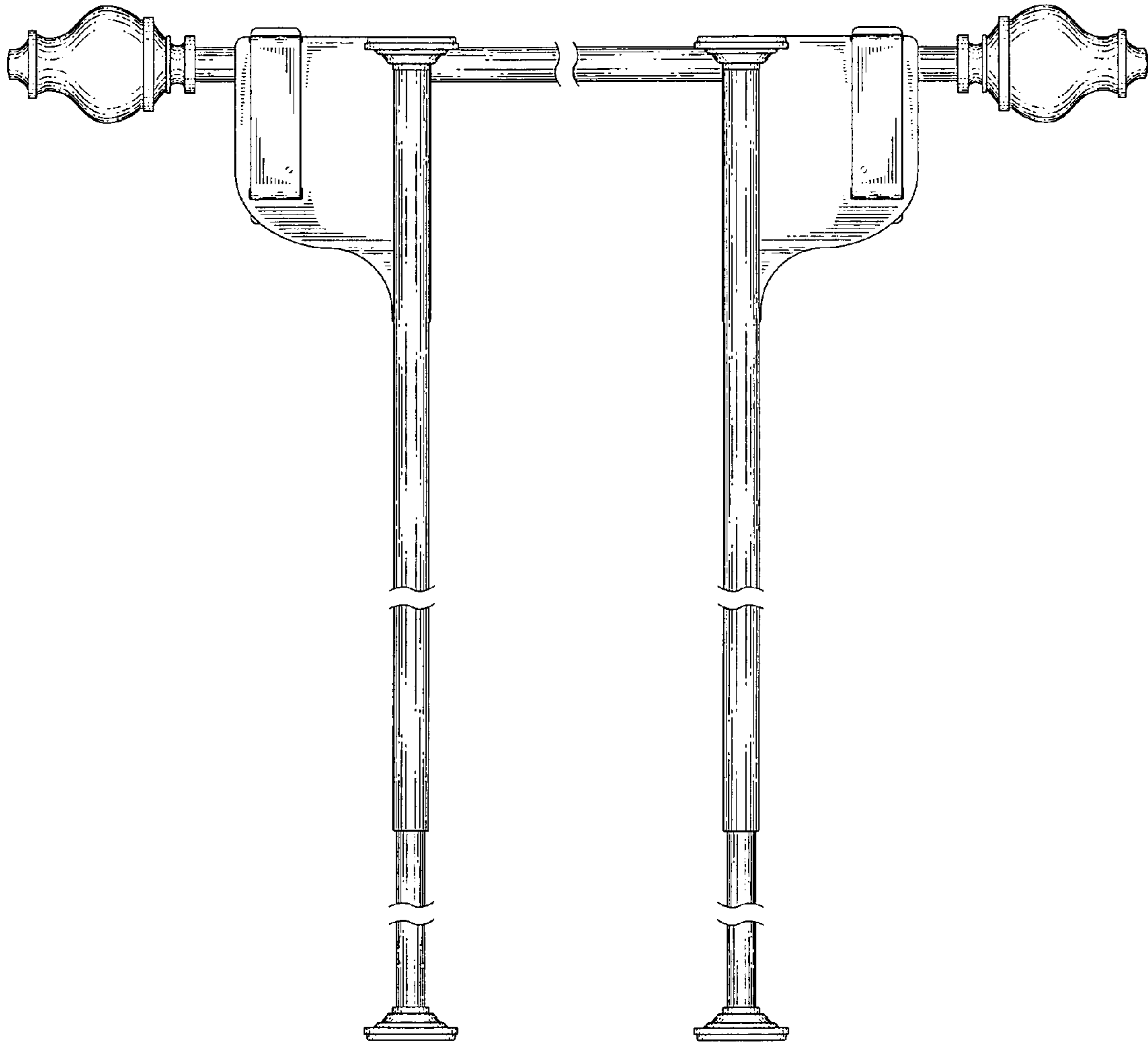


FIG. 4

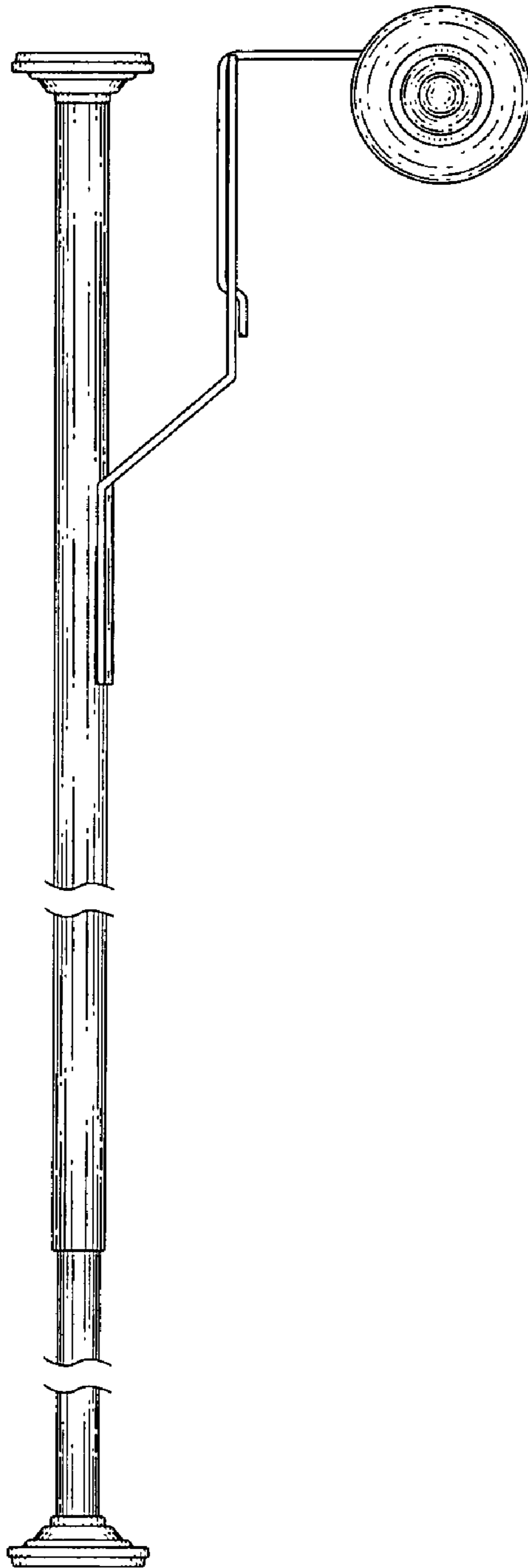


FIG. 5

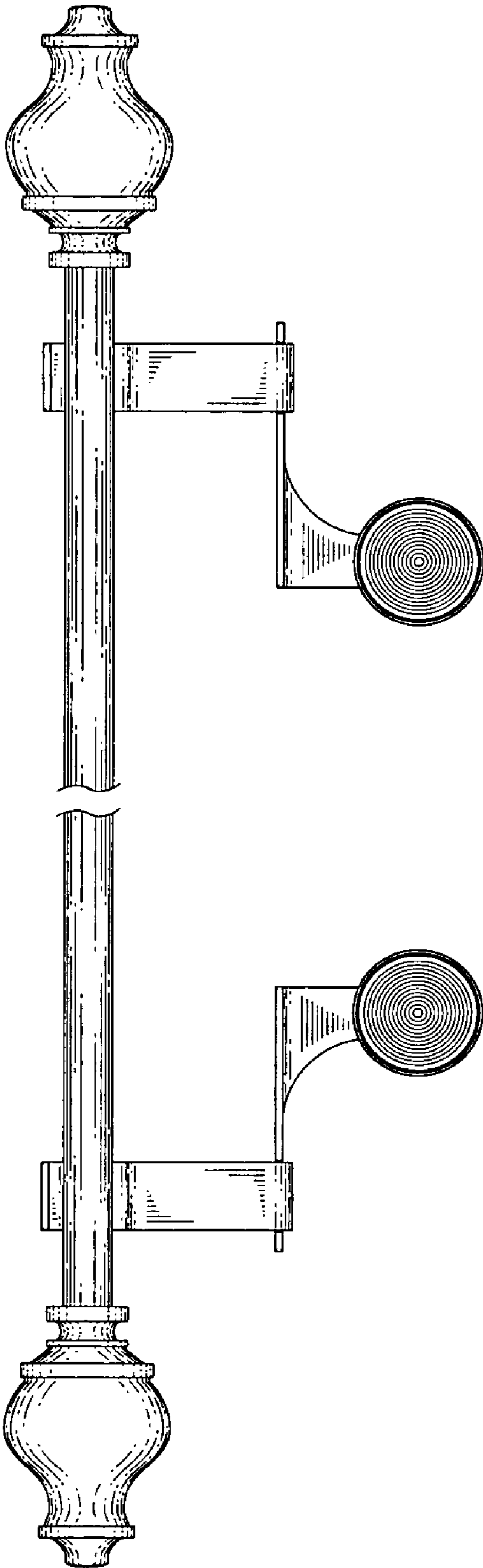


FIG. 6



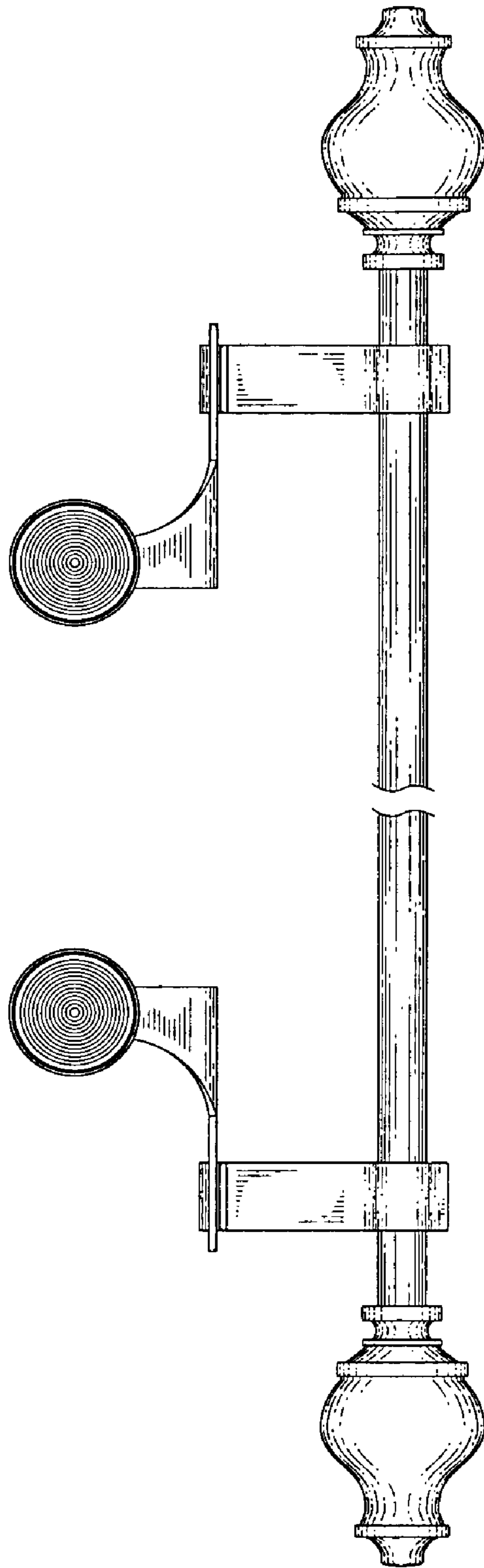


FIG. 7