



US00D662401S

(12) **United States Design Patent**
Lin et al.

(10) **Patent No.:** **US D662,401 S**
(45) **Date of Patent:** **** Jun. 26, 2012**

(54) **BED CASTOR**

(75) Inventors: **Ming-Hsien Lin**, Yongkang (TW);
Po-Lu Chen, Yongkang (TW); **Feng-Hsi Yang**, Tainan (TW)

(73) Assignee: **Sunny Castors Co., Ltd.**, Tainan Hsien (TW)

(**) Term: **14 Years**

(21) Appl. No.: **29/387,900**

(22) Filed: **Mar. 21, 2011**

(51) **LOC (9) Cl.** **08-05**

(52) **U.S. Cl.** **D8/375**

(58) **Field of Classification Search** D8/375;
5/600; 16/44; 439/152; 12/18 R, 22, 29,
12/31 R, 45, 46, 47; D12/207, 208, 209,
D12/501; D3/318; D34/27

See application file for complete search history.

(56) **References Cited**

U.S. PATENT DOCUMENTS

4,314,735 A * 2/1982 Fullenkamp et al. 439/152
5,377,372 A * 1/1995 Rudolf et al. 5/600

7,065,827 B2 * 6/2006 Hsiao 16/44
D573,451 S * 7/2008 Yang D8/375
D637,069 S * 5/2011 Venne D8/375
D639,148 S * 6/2011 Schioppa D8/375
D639,149 S * 6/2011 Schioppa D8/375

* cited by examiner

Primary Examiner — Susan Bennett Hattan

Assistant Examiner — Barbara B Lohr

(74) *Attorney, Agent, or Firm* — Alan Kamrath; Kamrath IP Lawfirm, PA

(57) **CLAIM**

The ornamental design for a bed castor, as shown and described.

DESCRIPTION

FIG. 1 is a perspective view of a bed castor showing my design;

FIG. 2 is a front elevational view thereof;

FIG. 3 is a rear elevational view thereof

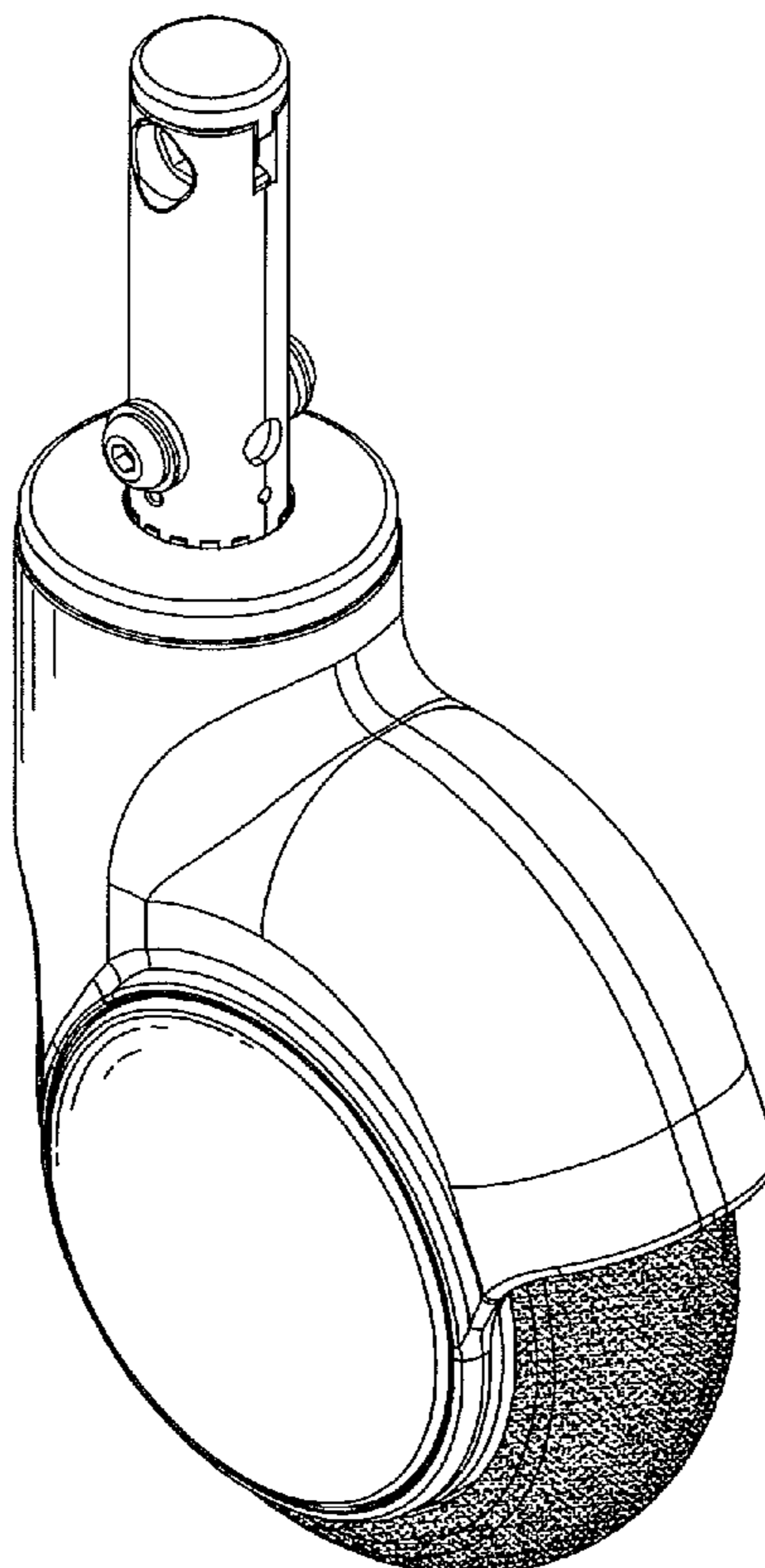
FIG. 4 is a left side elevational view thereof

FIG. 5 is a right side elevational view thereof;

FIG. 6 is a top plan view thereof; and,

FIG. 7 is a bottom plan view thereof

1 Claim, 5 Drawing Sheets



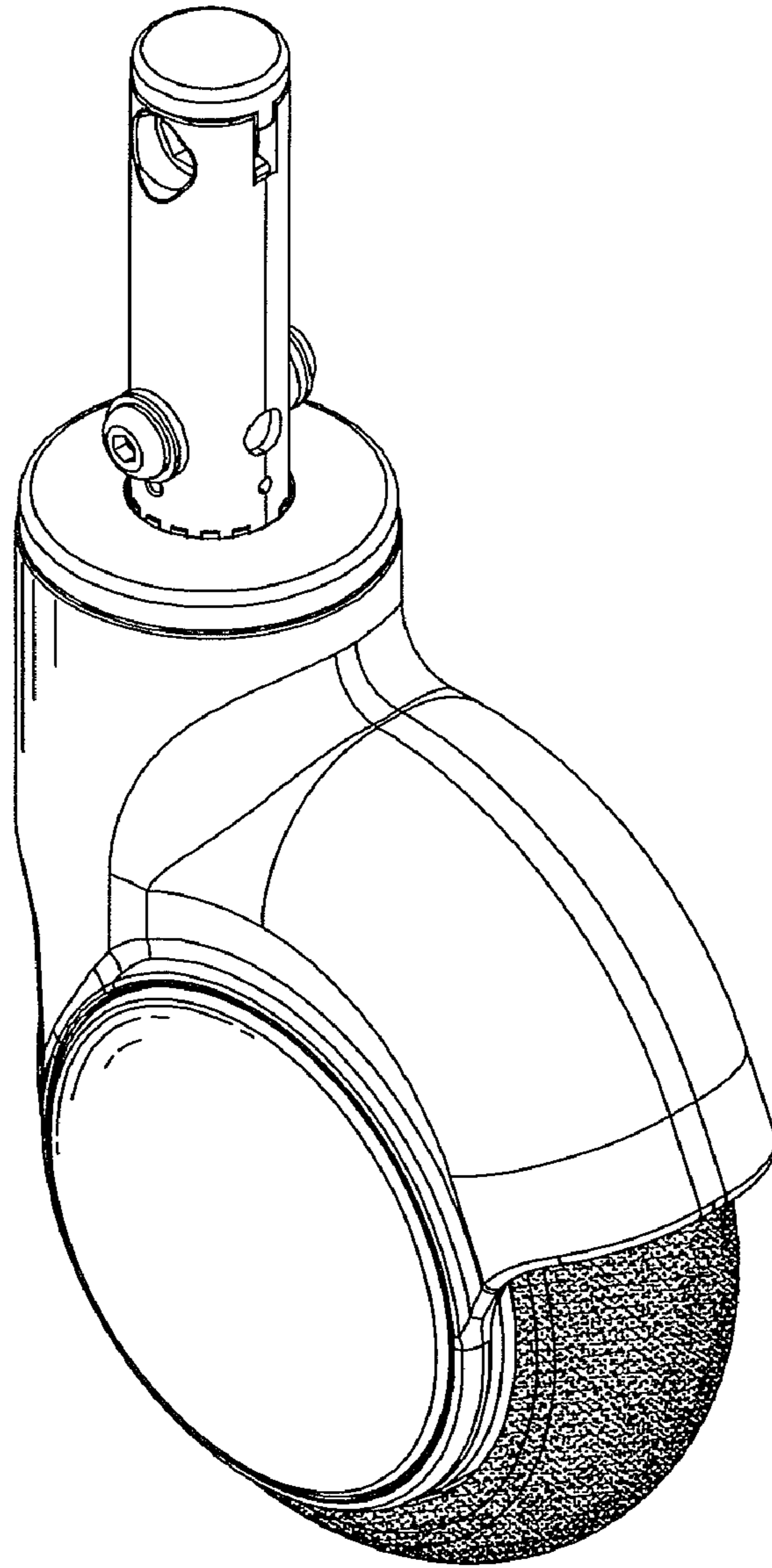


FIG. 1

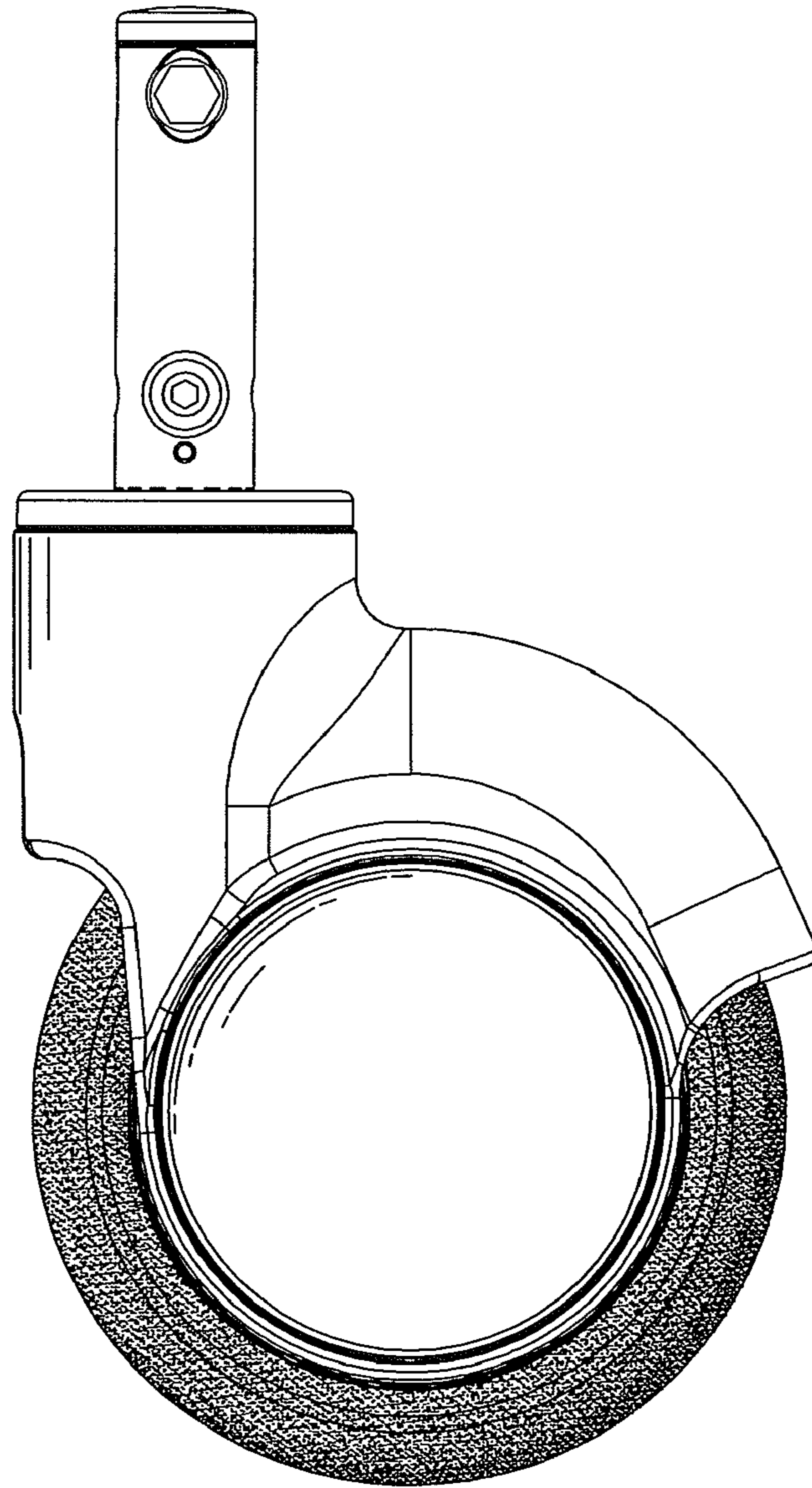


FIG. 2

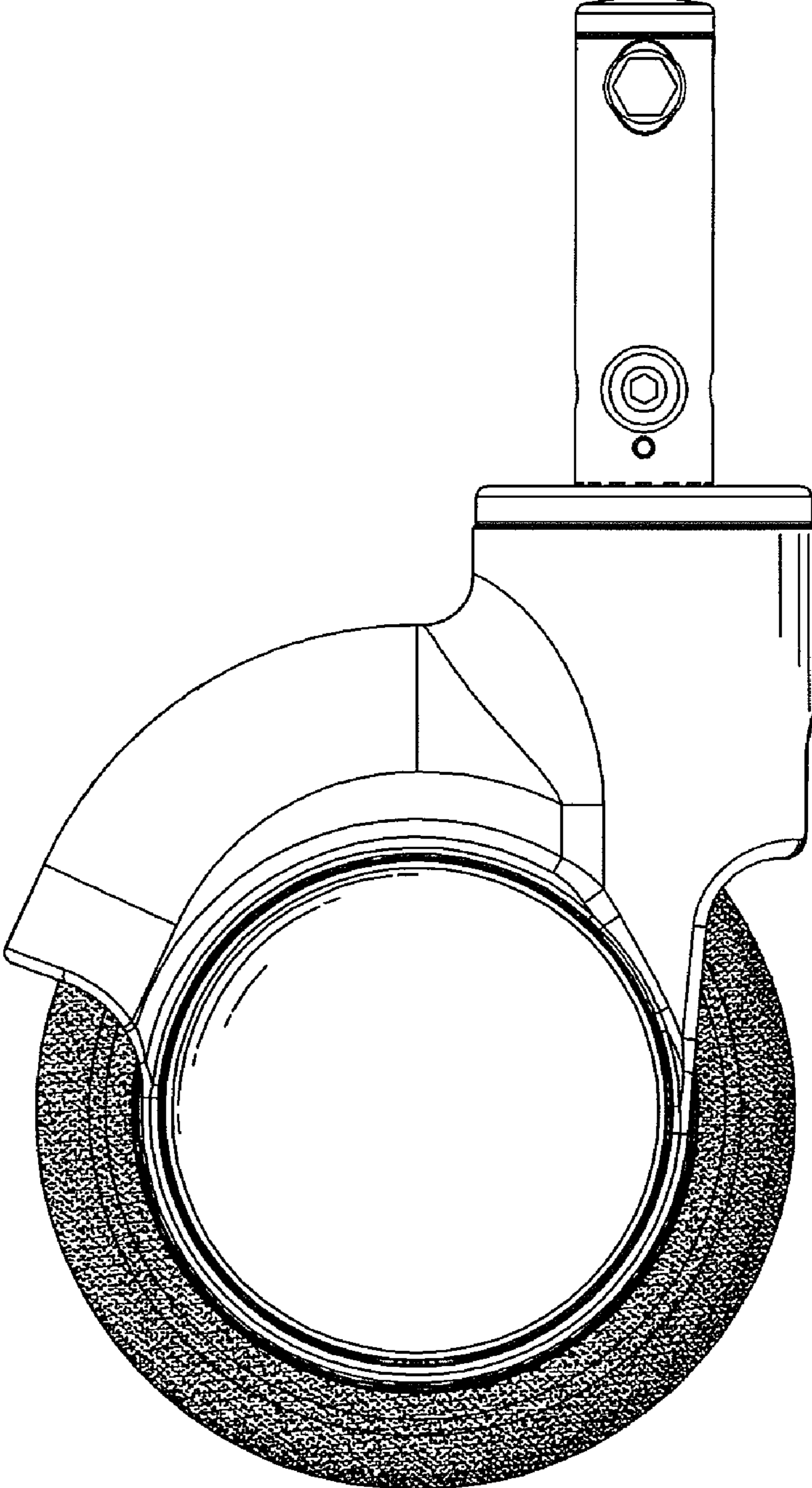


FIG. 3

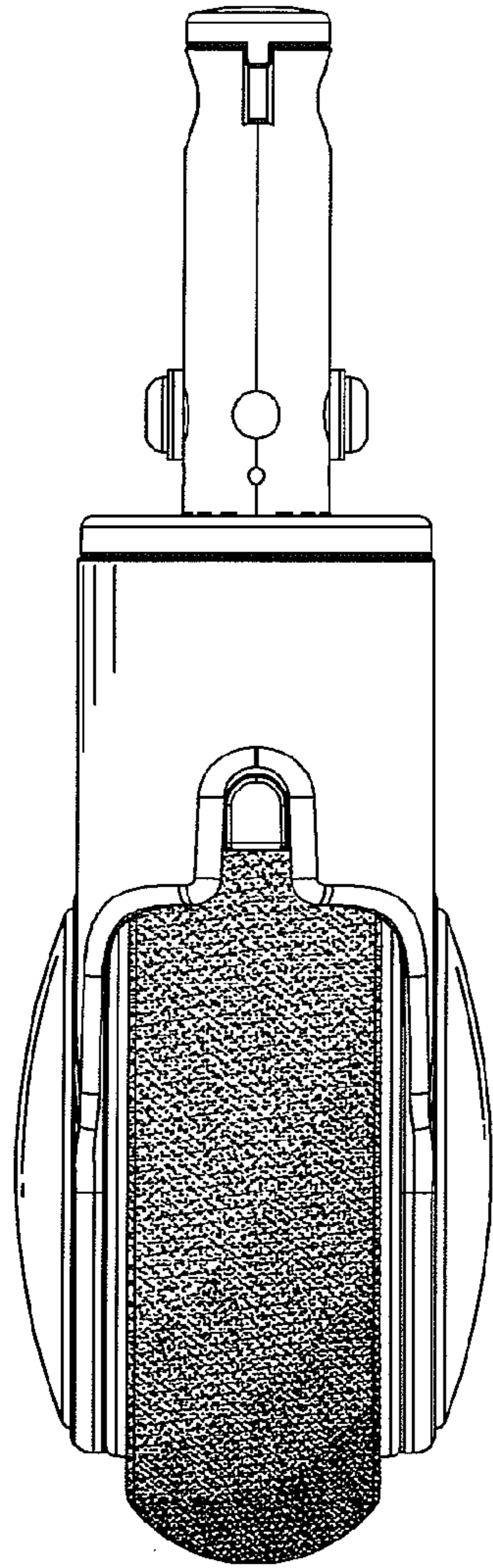


FIG. 4

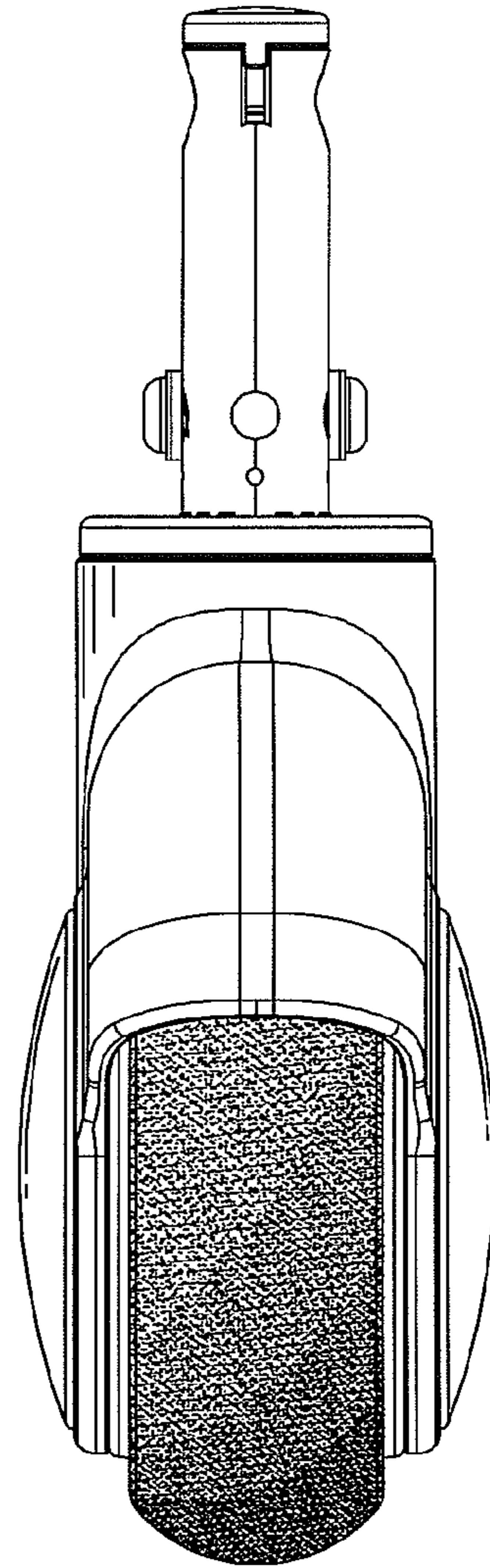


FIG. 5

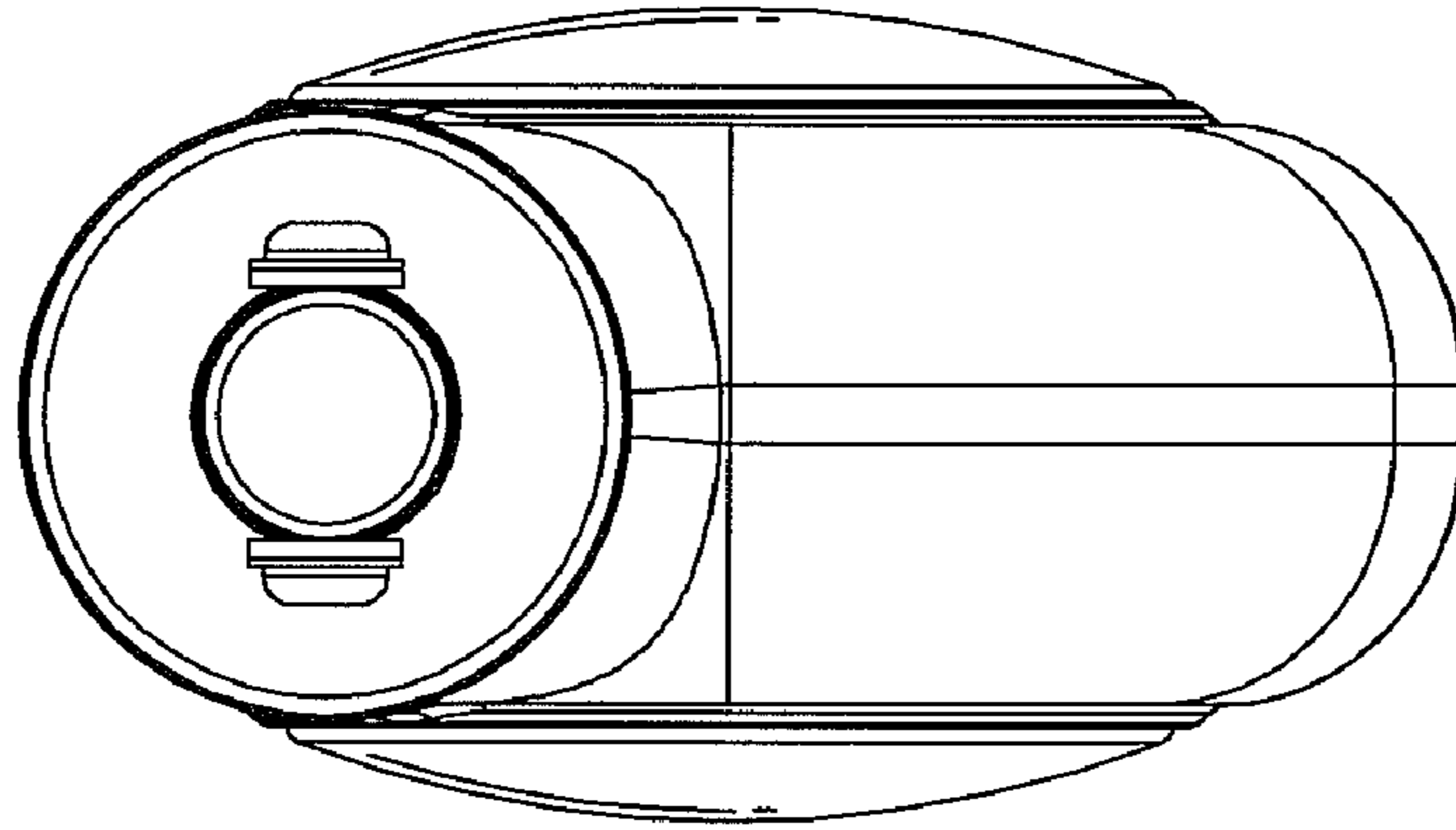


FIG. 6

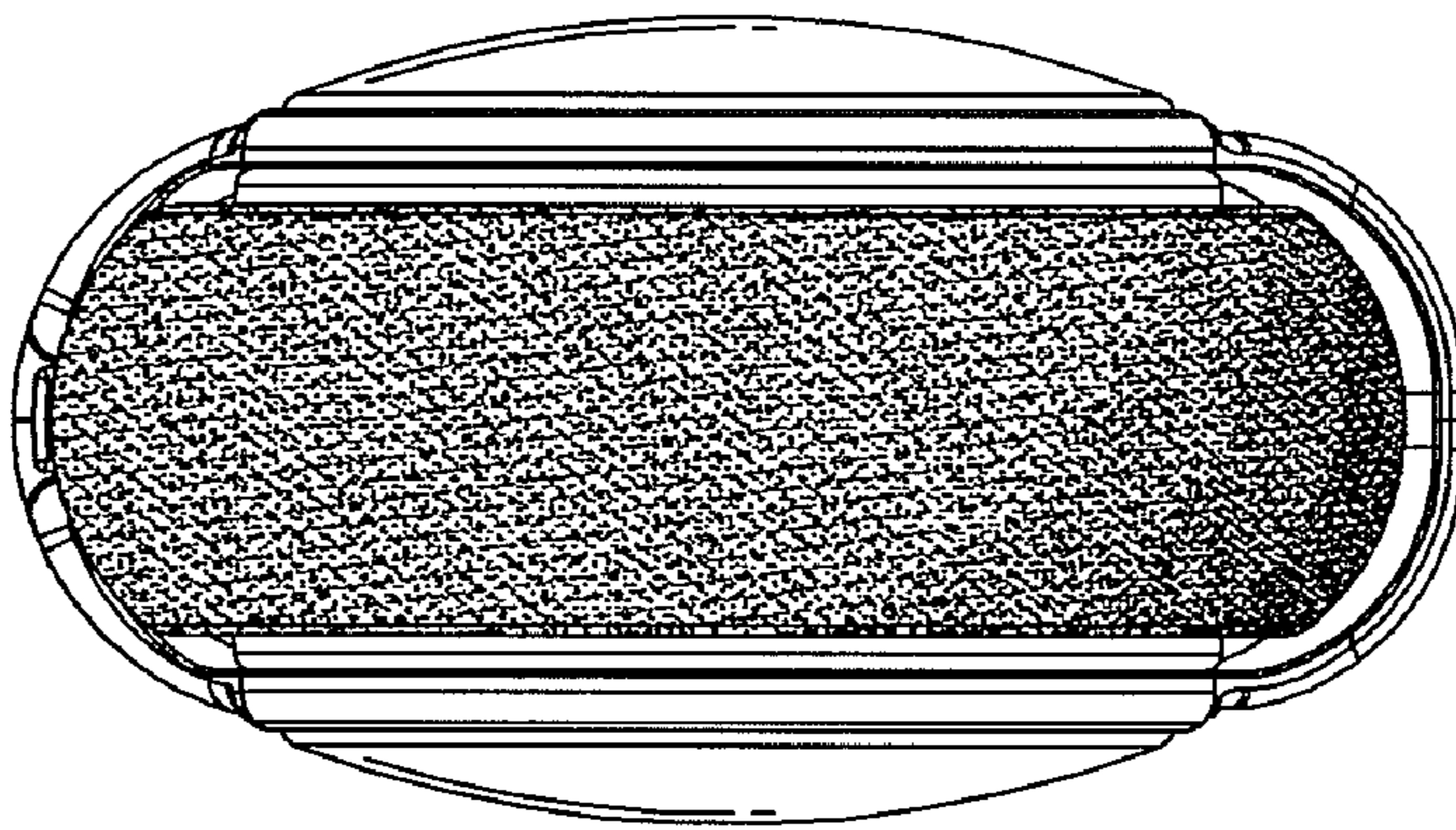


FIG. 7