



US00D662398S

(12) **United States Design Patent**
Jahnke et al.

(10) **Patent No.:** **US D662,398 S**
(45) **Date of Patent:** **** Jun. 26, 2012**

(54) **ADJUSTABLE SUPPORT APPARATUS**

(76) Inventors: **David A. Jahnke**, Suring, WI (US);
Timothy J. Pautsch, Appleton, WI (US)

(**) Term: **14 Years**

(21) Appl. No.: **29/387,132**

(22) Filed: **Mar. 9, 2011**

(51) **LOC (9) Cl.** **08-01**

(52) **U.S. Cl.** **D8/355**

(58) **Field of Classification Search** D8/349,
D8/355, 380; D14/451, 251; 52/718.04;
256/67, 69; 248/220, 220.1, 201, 205.3,
248/207, 266, 291.1, 294.1, 346.03

See application file for complete search history.

(56) **References Cited**

U.S. PATENT DOCUMENTS

190,117	A	5/1877	Boudeman	
1,976,034	A	10/1934	Poetsch	
4,854,538	A *	8/1989	Von Schalscha	248/346.03
D309,307	S *	7/1990	Sigurdson	D14/251
D337,333	S *	7/1993	Turk	D8/355
D363,492	S *	10/1995	Brussing	D14/251
5,791,263	A	8/1998	Watt	
5,799,917	A	9/1998	Li	
6,286,794	B1	9/2001	Harbin	
6,336,618	B1	1/2002	Barber	
7,013,813	B2	3/2006	Lima	
7,048,242	B2	5/2006	Oddsens, Jr.	
7,140,306	B2	11/2006	Chen	
D559,662	S *	1/2008	Sculler et al.	D8/380
D588,903	S *	3/2009	Carnevali	D8/355
2009/0078168	A1	3/2009	Larsen	
2010/0275821	A1	11/2010	Lebel	

* cited by examiner

Primary Examiner — Brian N Vinson

(74) *Attorney, Agent, or Firm* — Edwards Wildman Palmer LLP

(57) **CLAIM**

We claim the ornamental design for an adjustable support apparatus, as shown and described.

DESCRIPTION

FIG. 1 is a top front perspective view of an adjustable support apparatus;

FIG. 2 is a front view of the adjustable support apparatus shown in FIG. 1;

FIG. 3 is a rear view of the adjustable support apparatus shown in FIG. 1;

FIG. 4 is a left side view of the adjustable support apparatus shown in FIG. 1;

FIG. 5 is a right side view of the adjustable support apparatus shown in FIG. 1;

FIG. 6 is a top view of the adjustable support apparatus shown in FIG. 1;

FIG. 7 is a bottom view of the adjustable support apparatus shown in FIG. 1;

FIG. 8 is a top front perspective view of another adjustable support apparatus;

FIG. 9 is a front view of the adjustable support apparatus shown in FIG. 8;

FIG. 10 is a rear view of the adjustable support apparatus shown in FIG. 8;

FIG. 11 is a left side view of the adjustable support apparatus shown in FIG. 8;

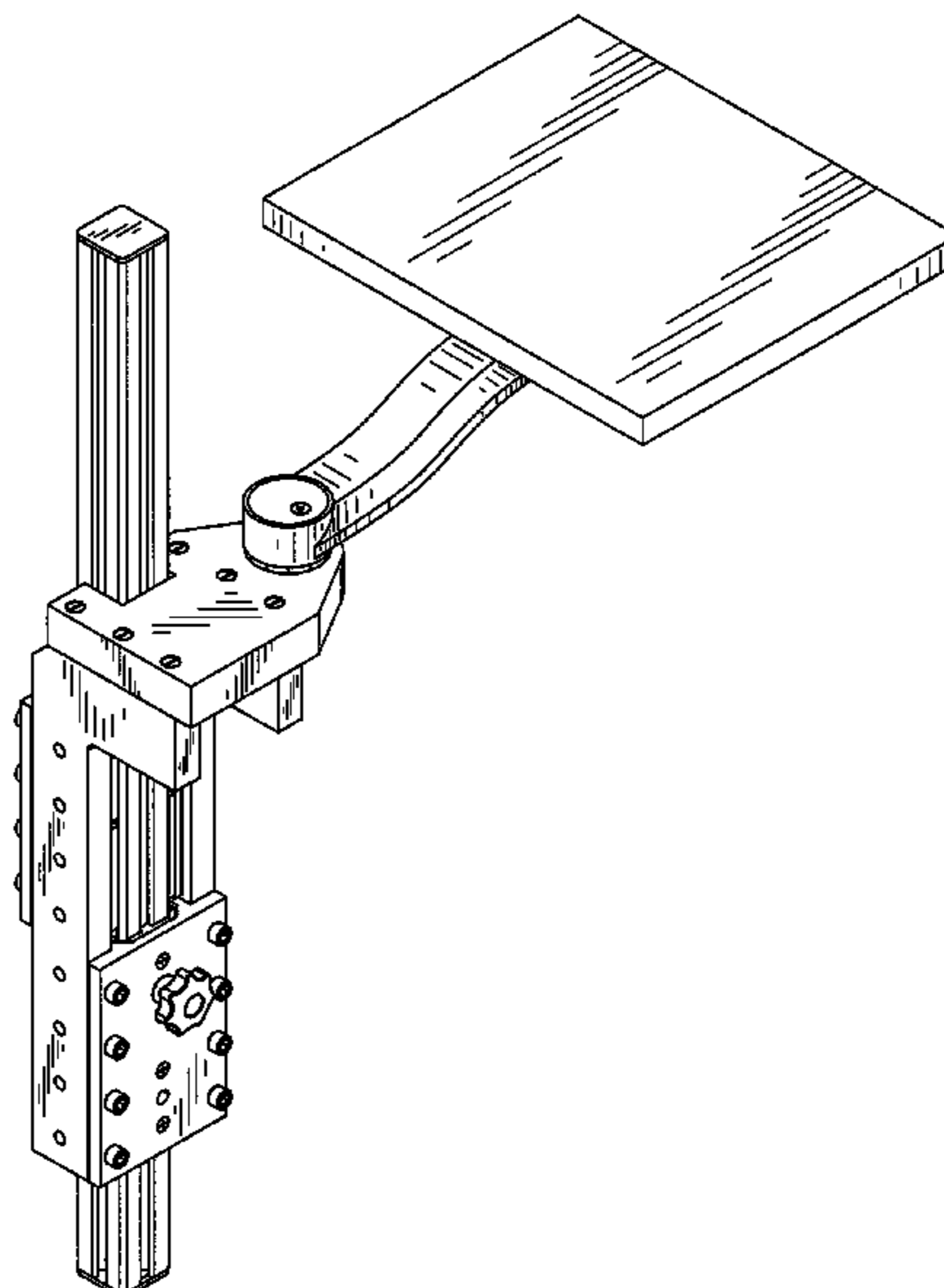
FIG. 12 is a right side view of the adjustable support apparatus shown in FIG. 8;

FIG. 13 is a top view of the adjustable support apparatus shown in FIG. 8; and,

FIG. 14 is a bottom view of the adjustable support apparatus shown in FIG. 8.

The portions of the adjustable support apparatus and any exemplary environment shown in broken lines are for illustrative purposes only and form no part of the claimed design.

1 Claim, 12 Drawing Sheets



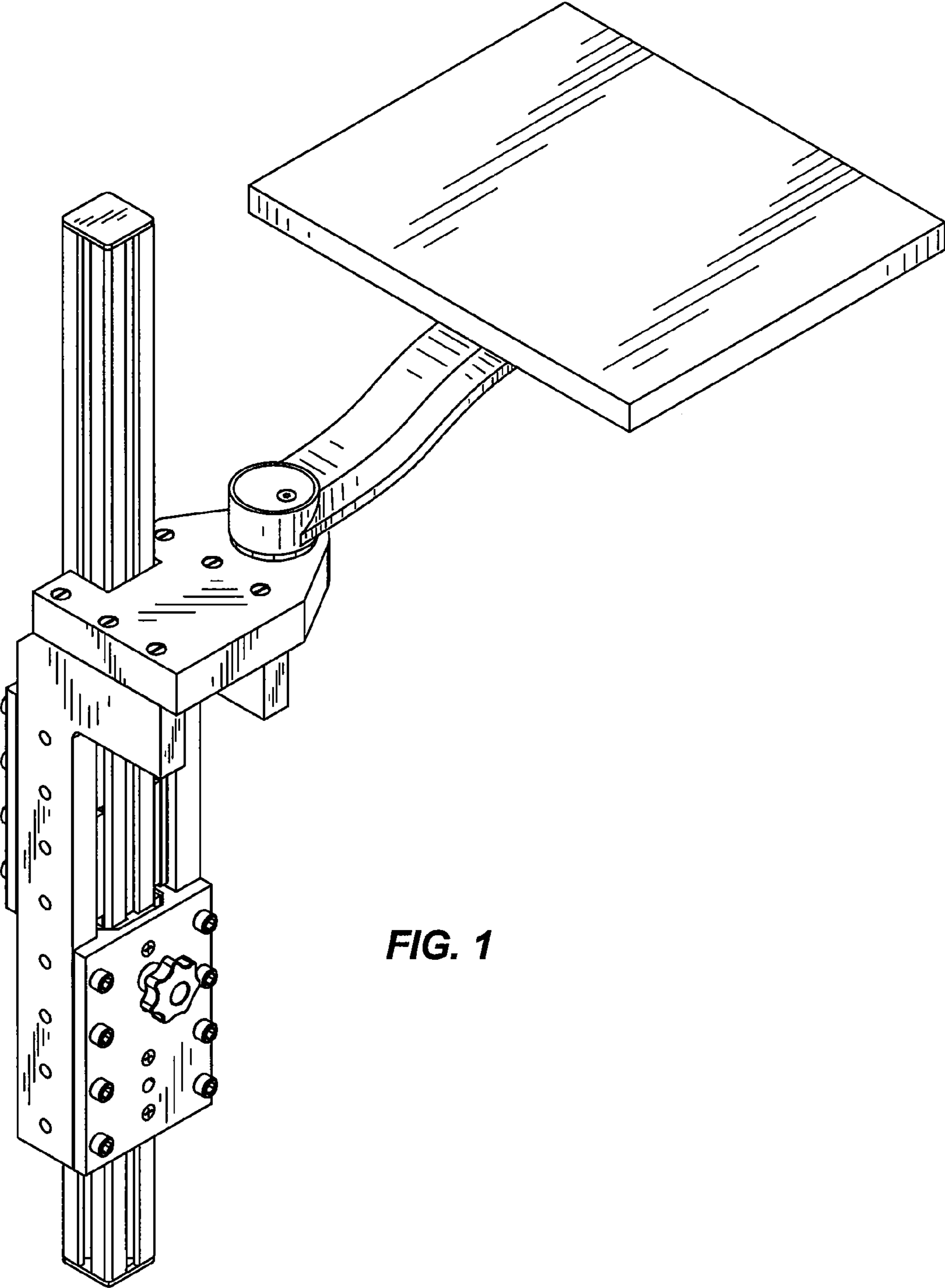


FIG. 1

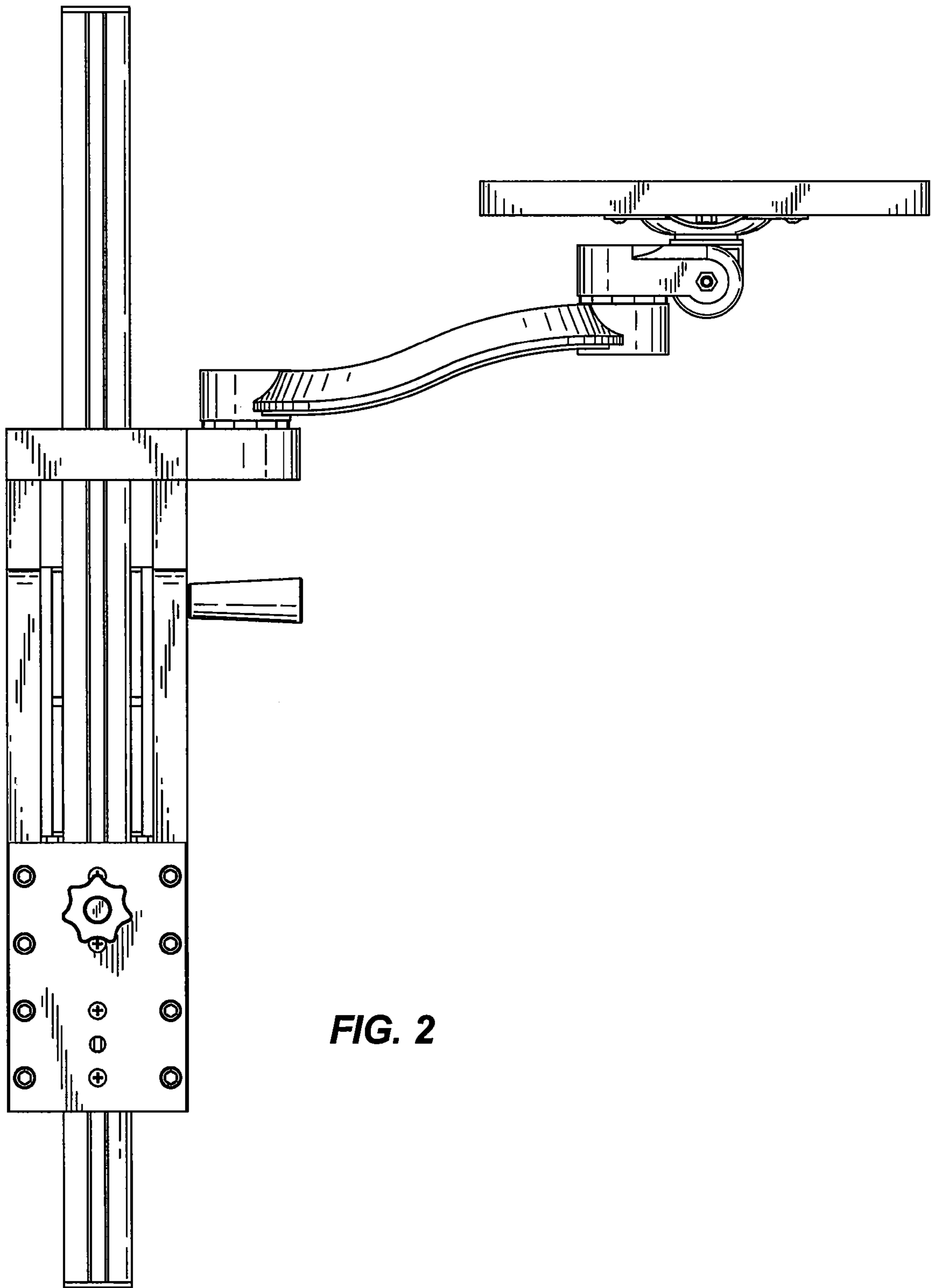


FIG. 2

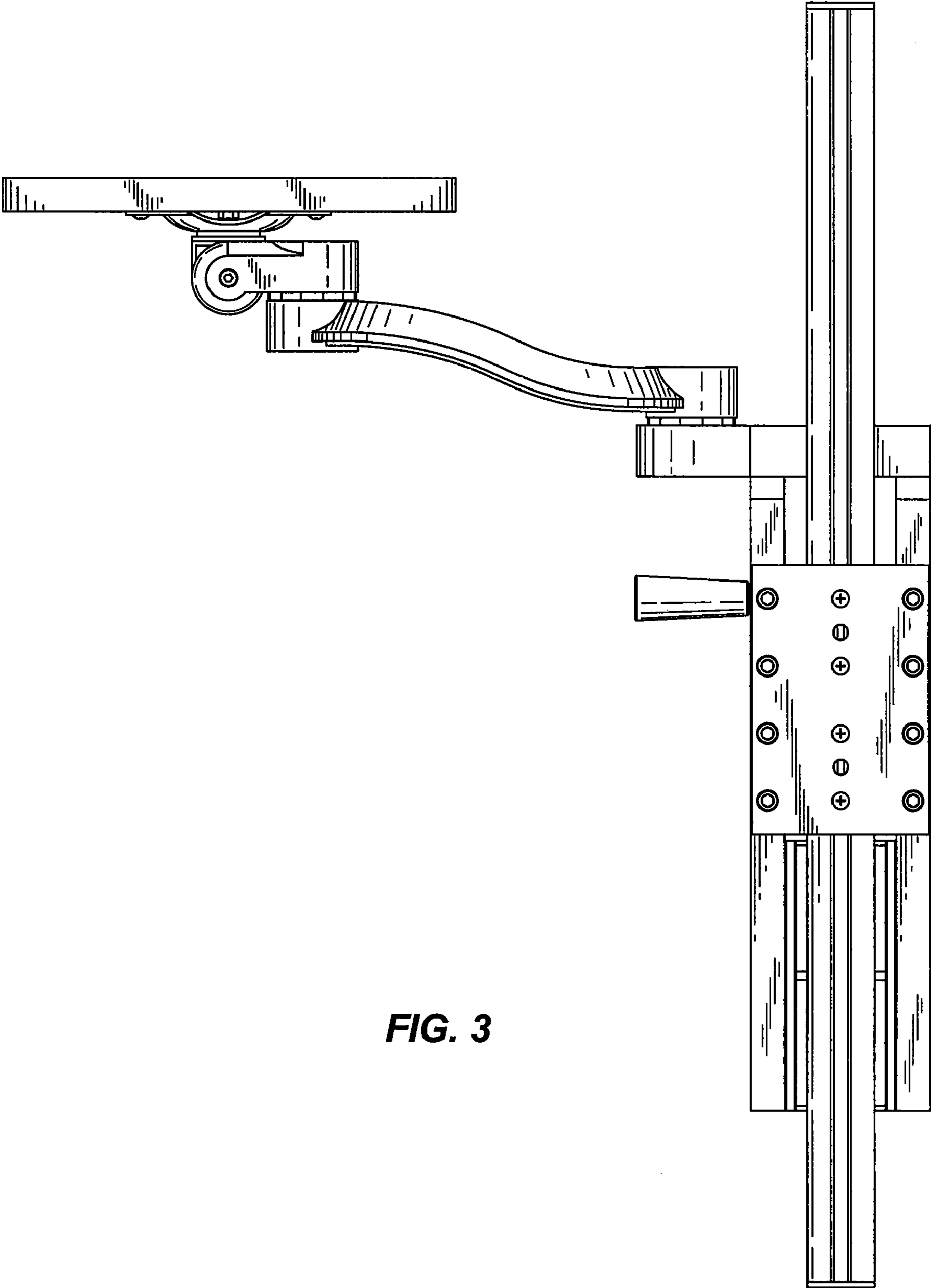


FIG. 3

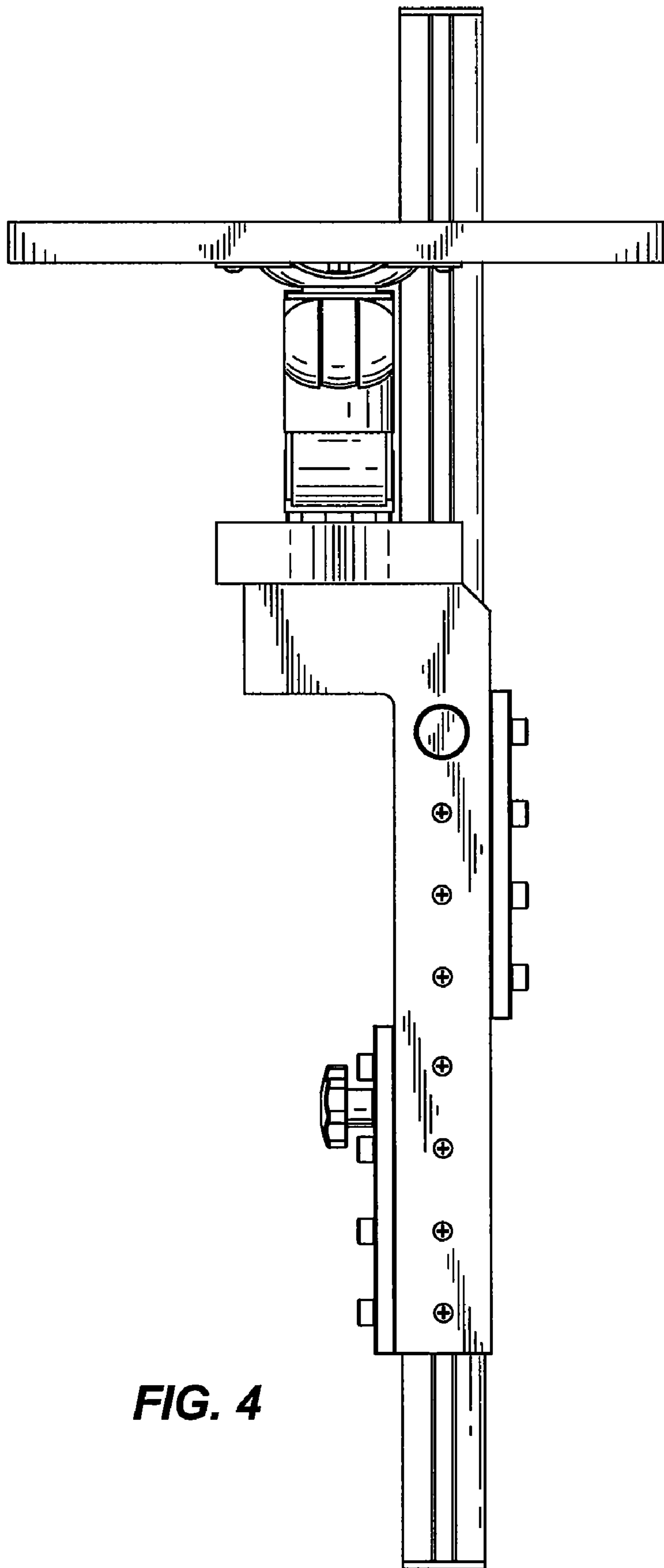


FIG. 4

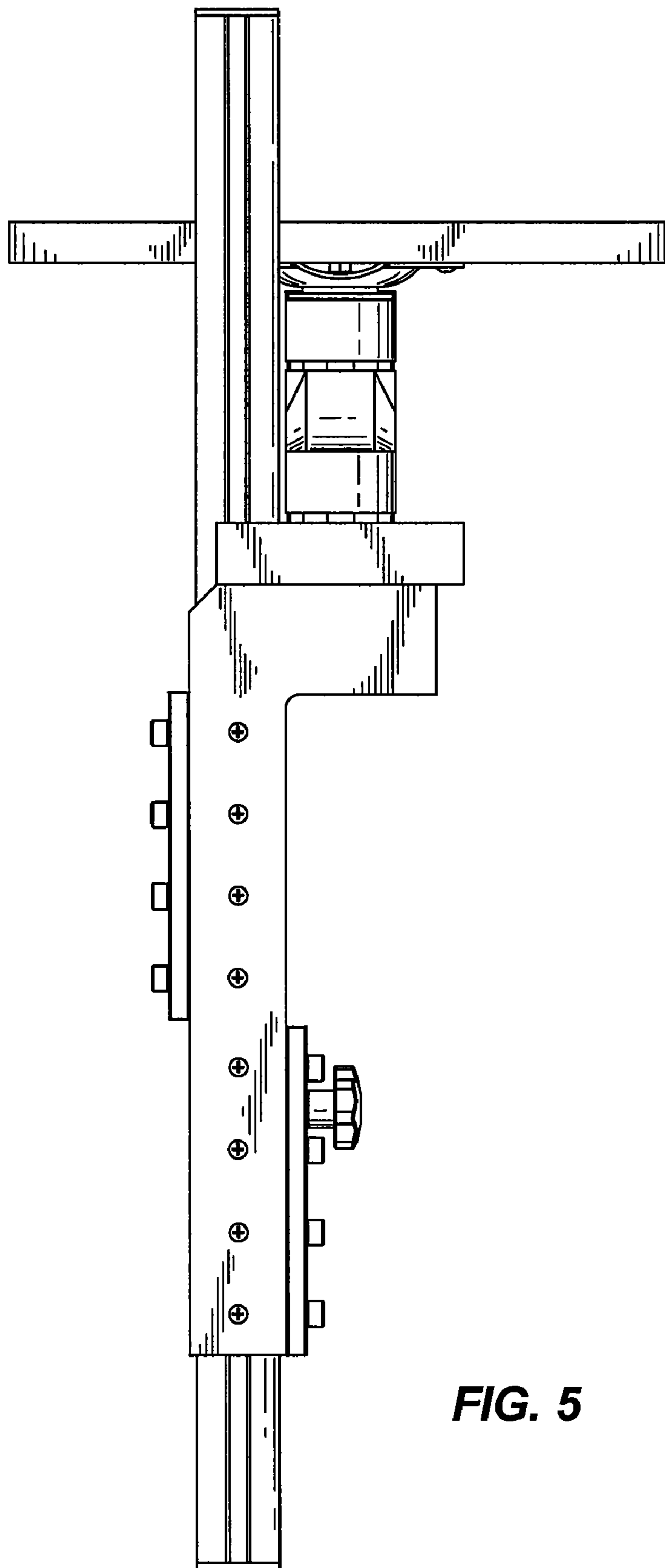
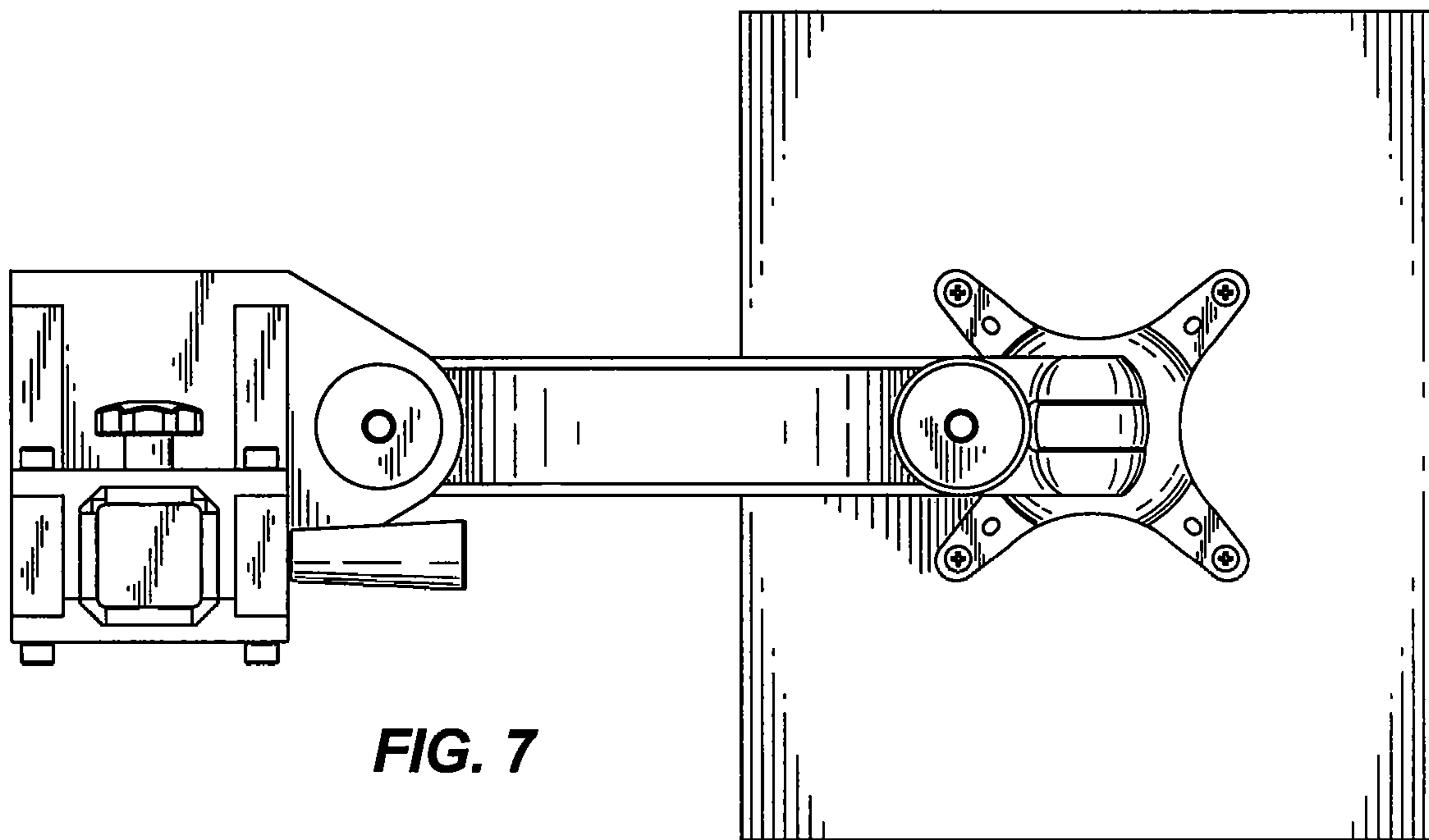
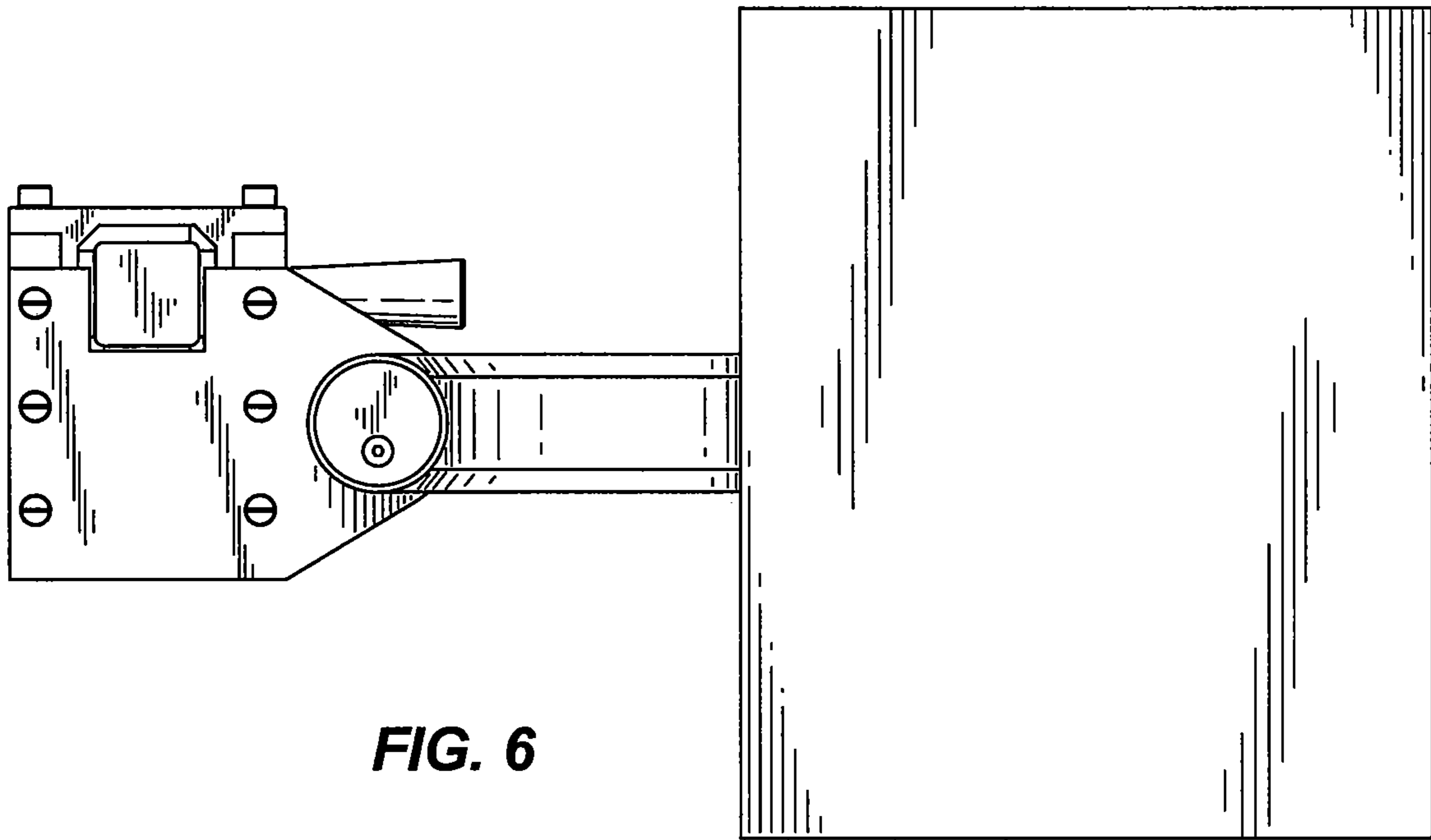


FIG. 5



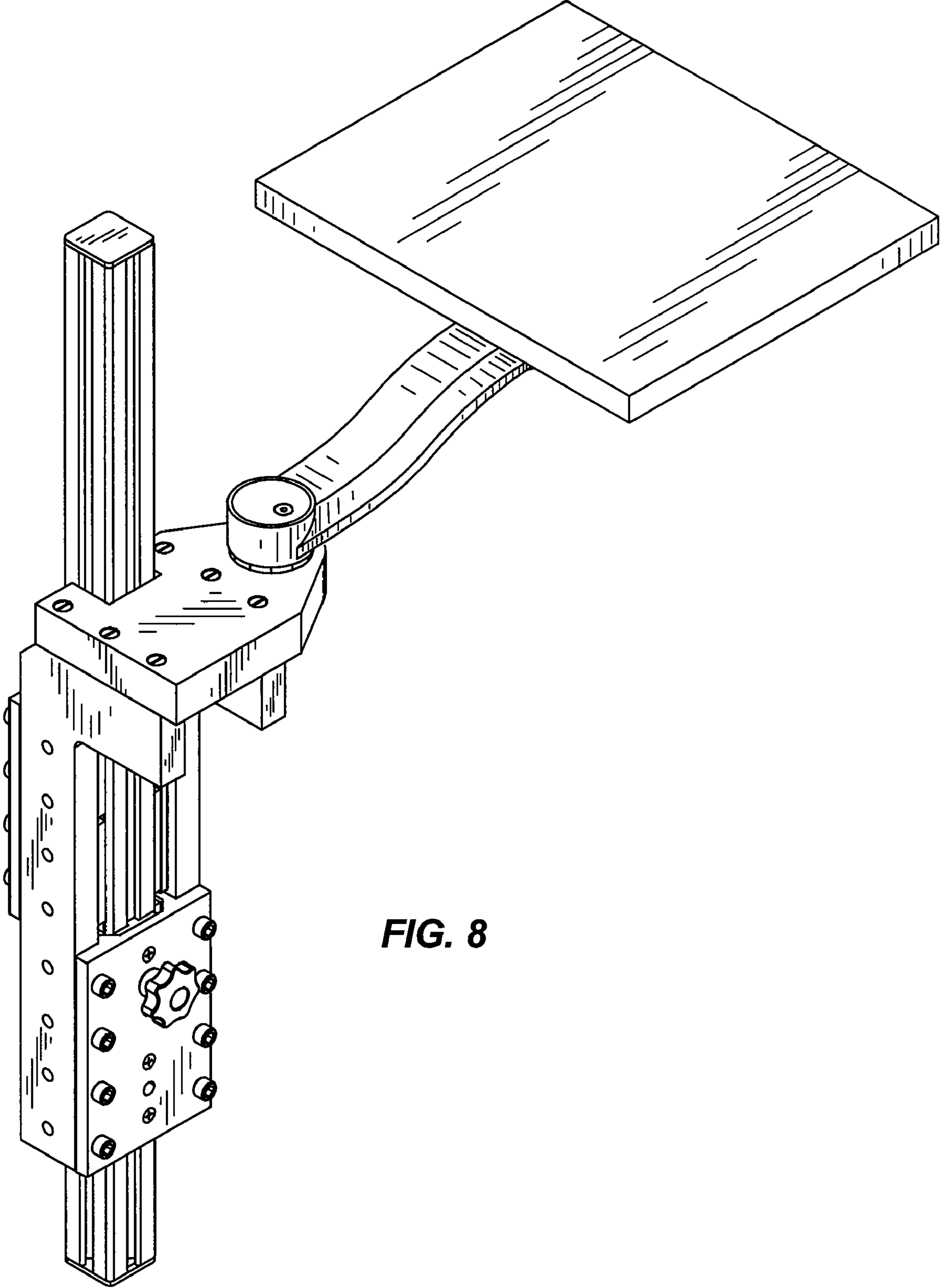


FIG. 8

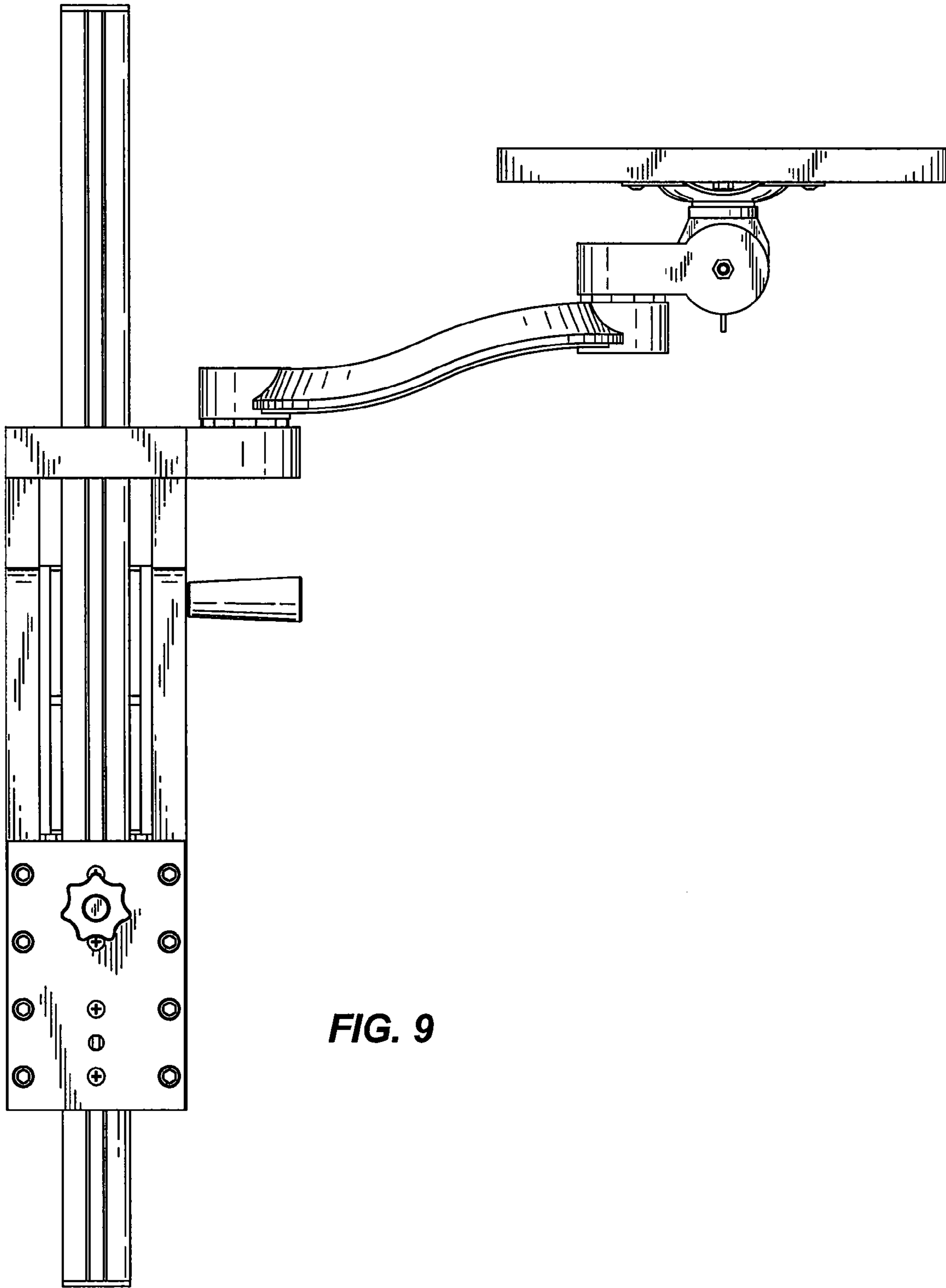


FIG. 9

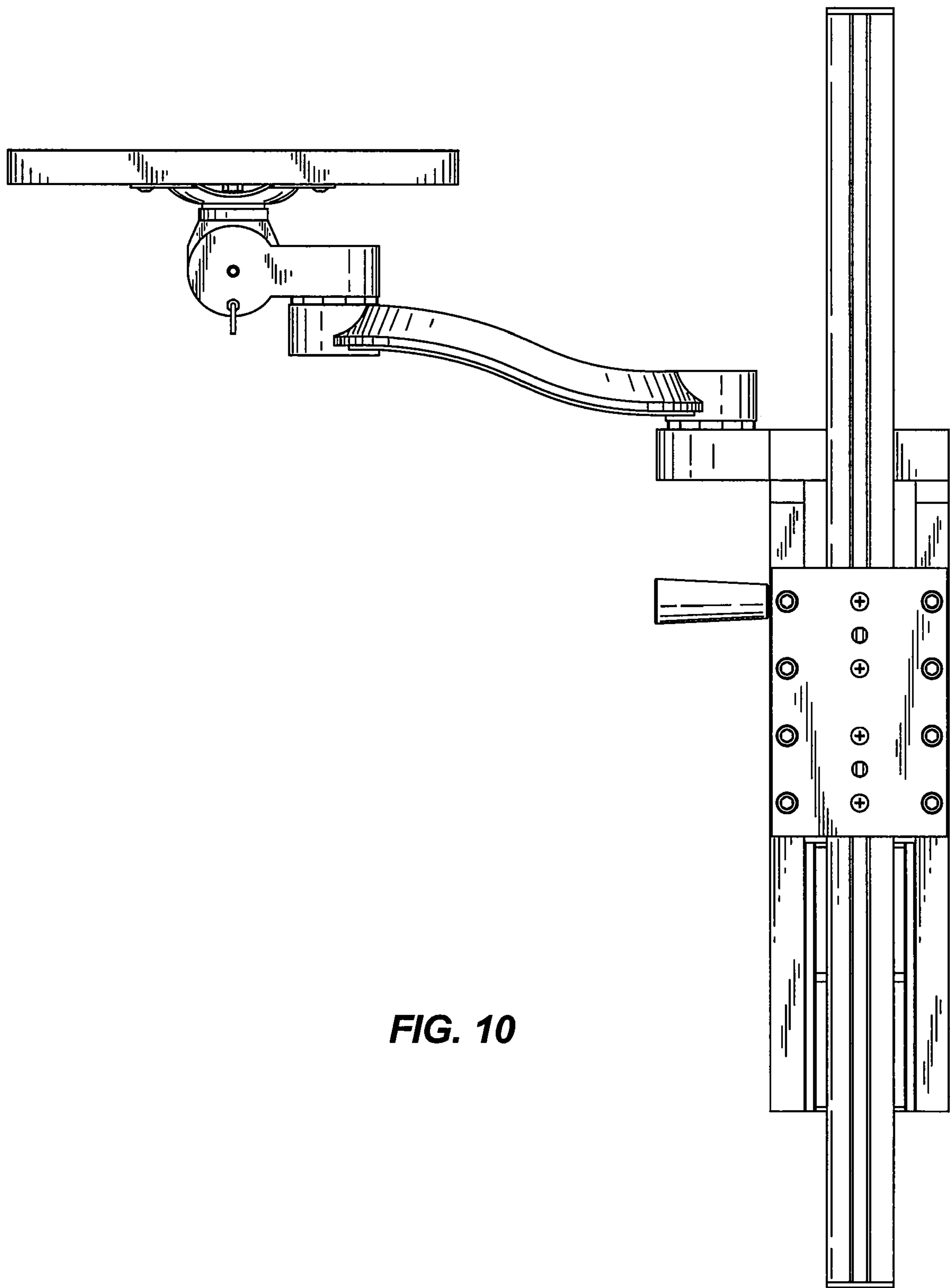


FIG. 10

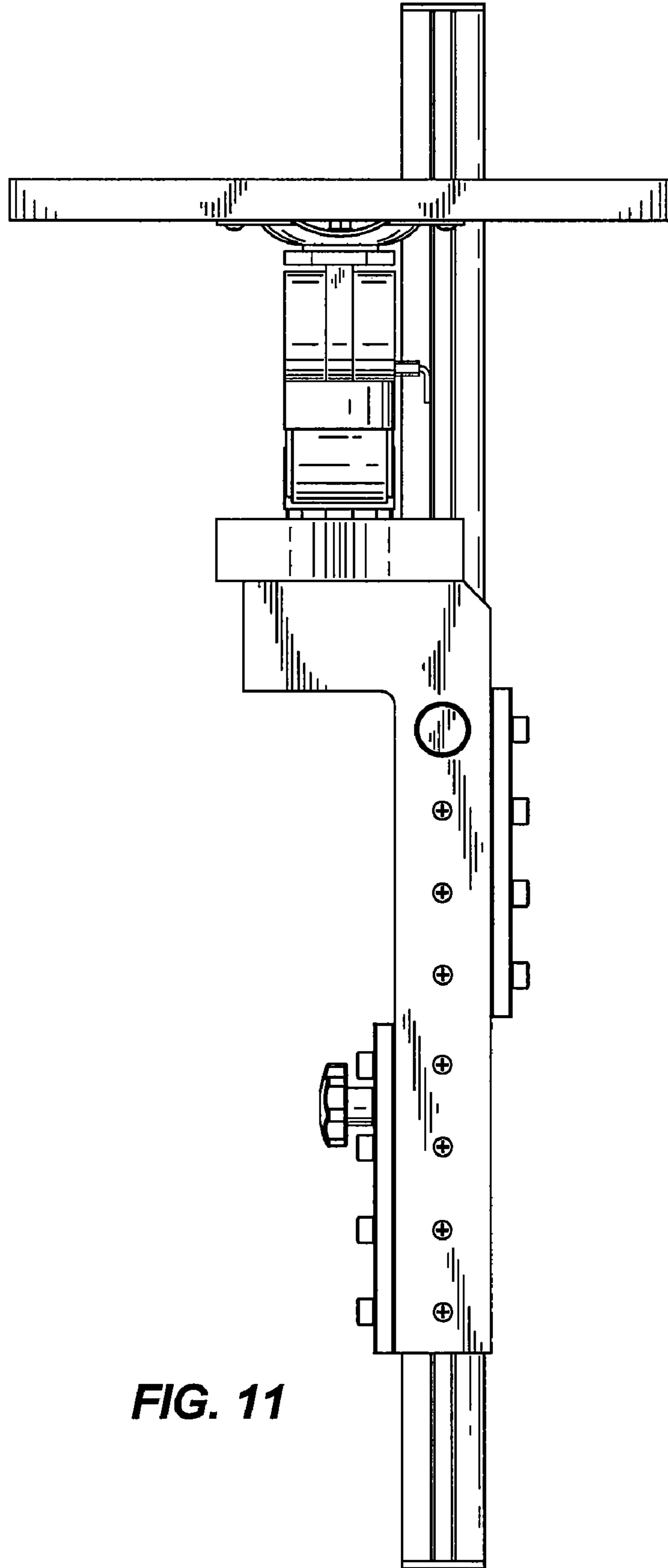


FIG. 11

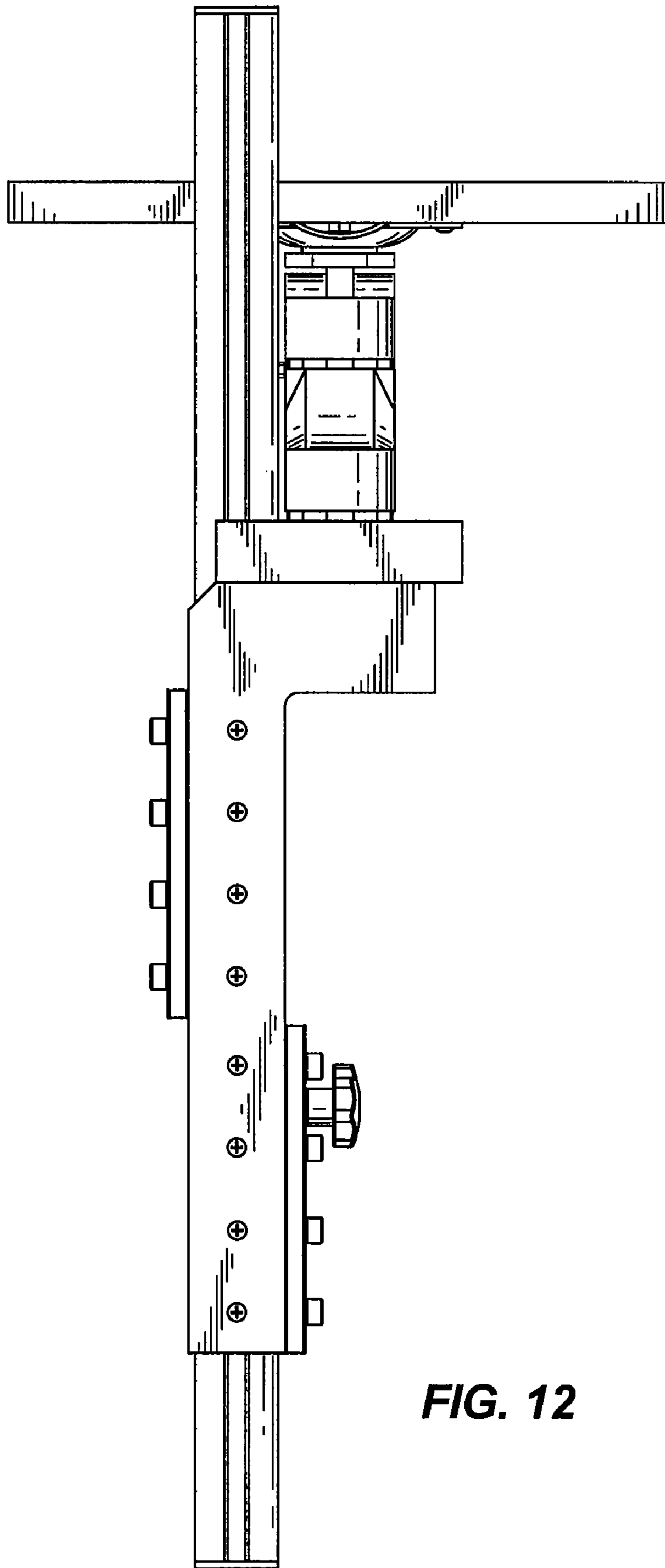


FIG. 12

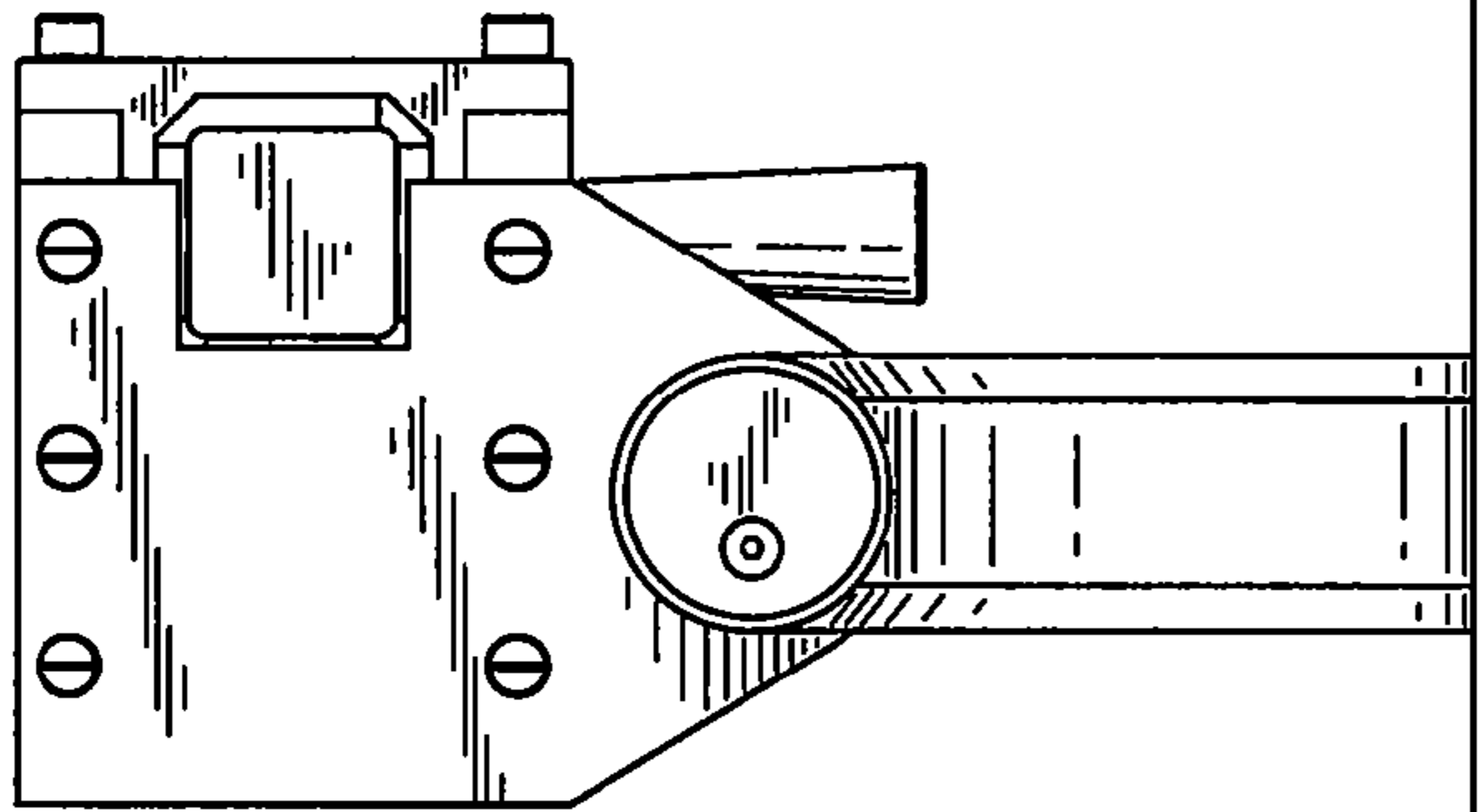


FIG. 13

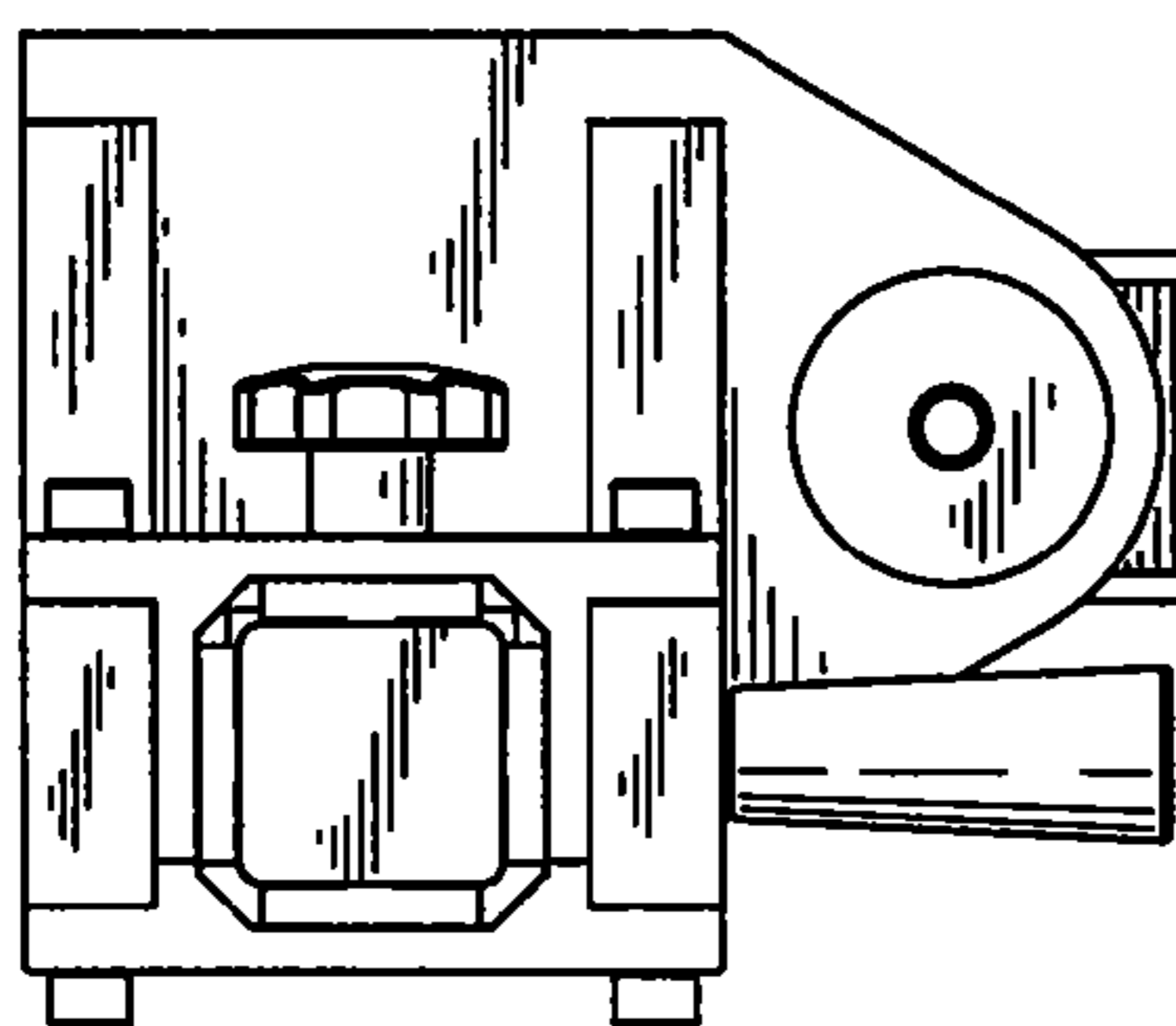
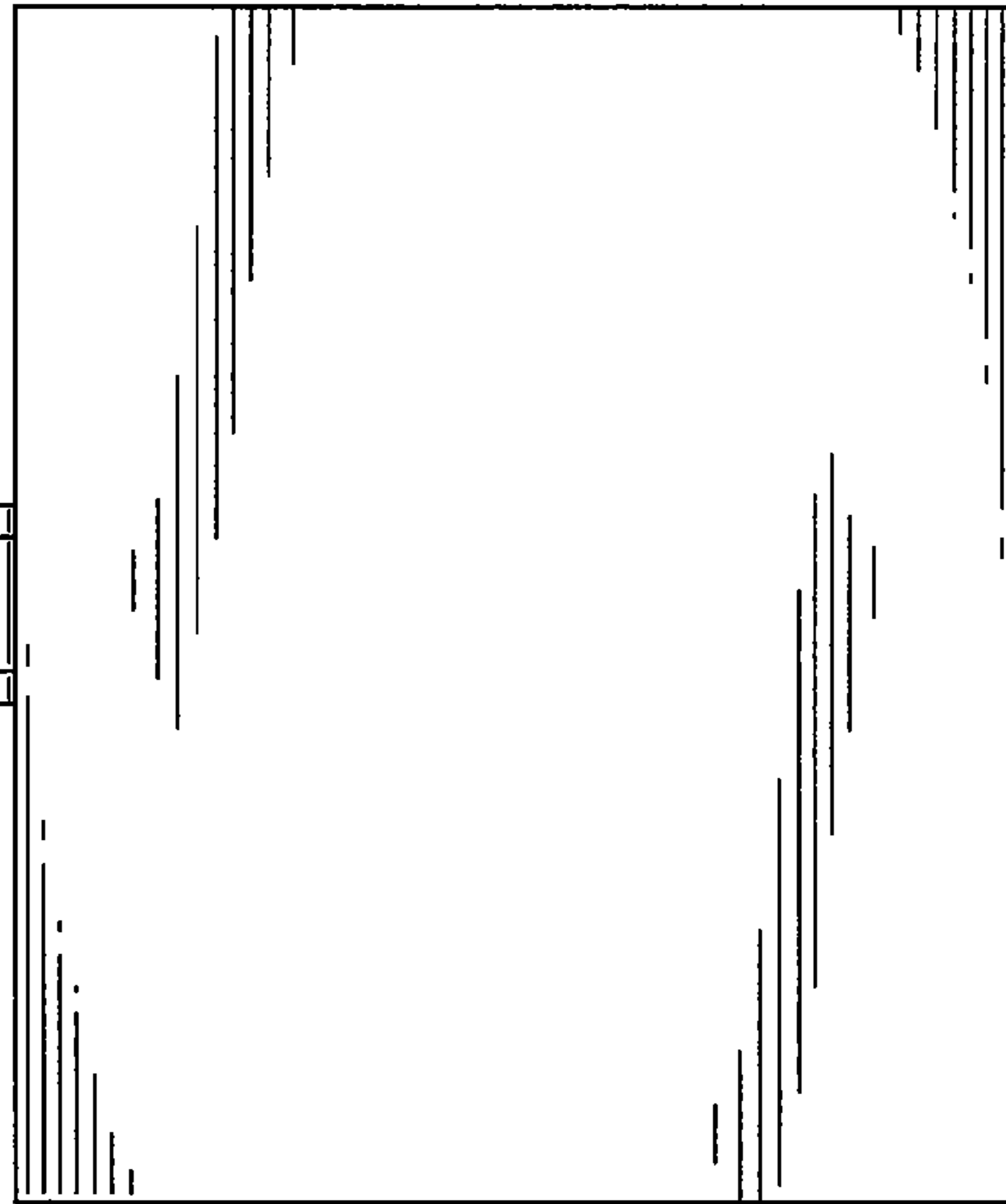


FIG. 14

