



US00D662397S

(12) **United States Design Patent**
Stuckey et al.

(10) **Patent No.:** **US D662,397 S**
(45) **Date of Patent:** **** Jun. 26, 2012**

(54) **CATCH FOR A LOCKING BAR**
(75) Inventors: **David Martin Stuckey**, Eaglemont
(AU); **Marc Fraser**, Doncaster East
(AU)
(73) Assignee: **David Stuckey Investments Pty Ltd**
(AU)
(**) Term: **14 Years**

(21) Appl. No.: **29/386,083**
(22) Filed: **Feb. 24, 2011**

(30) **Foreign Application Priority Data**
Aug. 24, 2010 (AU) 13670/2010
(51) **LOC (9) Cl.** **08-07**
(52) **U.S. Cl.** **D8/343**
(58) **Field of Classification Search** D8/382,
D8/349, 339, 330, 342, 343, 344, 400, 331;
70/57.1, 95-98, 158, 164, 465, 466; 292/289,
292/290, 298, 259 R
See application file for complete search history.

(56) **References Cited**
U.S. PATENT DOCUMENTS
4,135,376 A * 1/1979 Evans et al. 70/100
4,798,407 A * 1/1989 Miller 292/229

D311,323 S * 10/1990 Weinerman et al. D8/331
5,447,345 A * 9/1995 Daley 292/259 R
5,791,173 A * 8/1998 Montes 70/101
D398,512 S * 9/1998 Bethurem D8/330
6,247,733 B1 * 6/2001 Weiland 292/228
6,945,571 B2 * 9/2005 Lin 292/92
D569,707 S * 5/2008 Antkowiak et al. D8/331
D571,634 S * 6/2008 Antkowiak et al. D8/331
D605,493 S * 12/2009 Tejszerski D8/331
8,011,213 B1 * 9/2011 Gogel 70/56

* cited by examiner

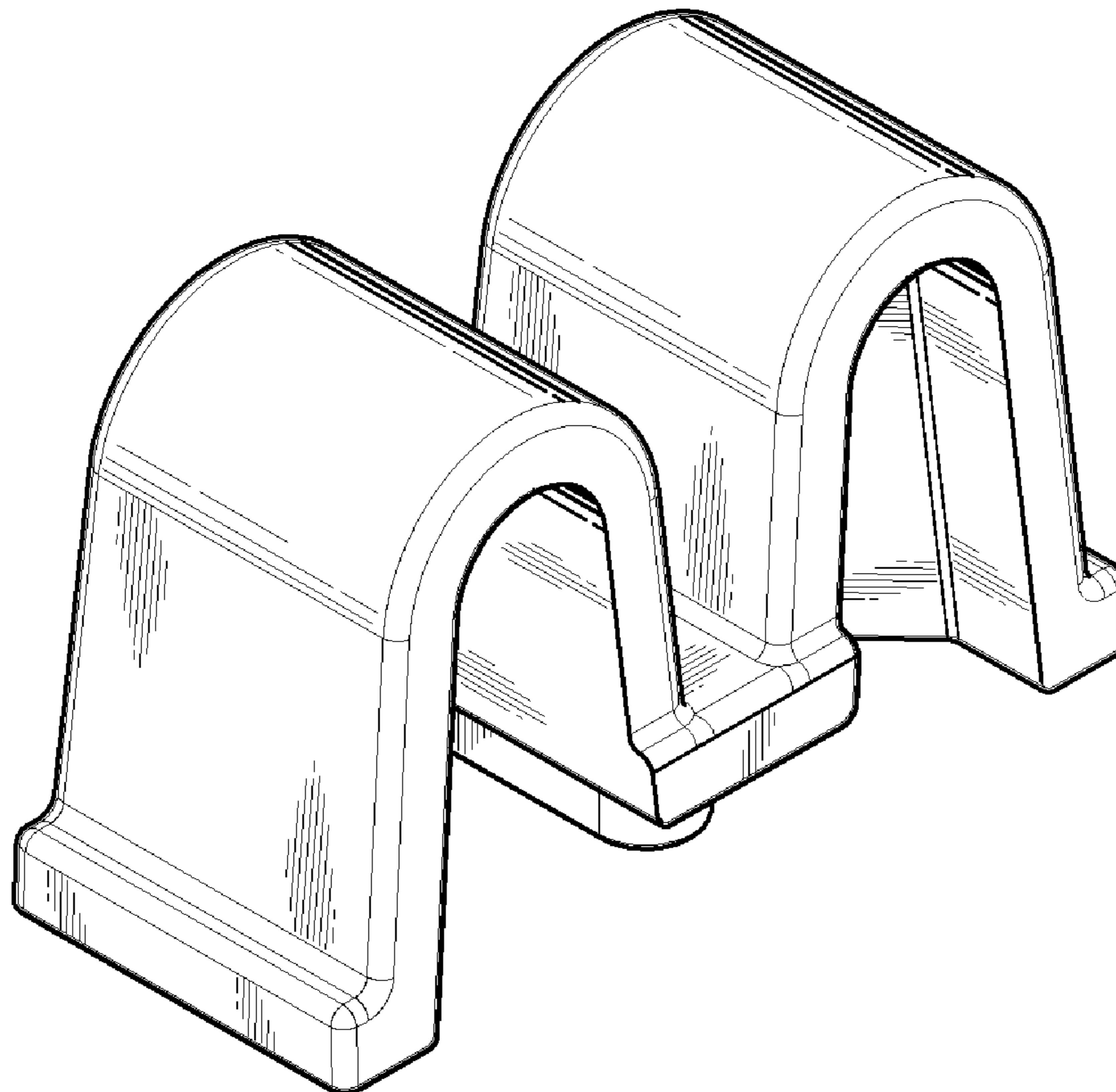
Primary Examiner — Sheryl Lane
(74) *Attorney, Agent, or Firm* — Craig A. Fieschko, Esq.

(57) **CLAIM**
We claim the ornamental design for a catch for a locking bar,
as shown and described.

DESCRIPTION

FIG. 1 is a top perspective view of a catch for a locking bar;
FIG. 2 is a bottom perspective view thereof;
FIG. 3 is a top plan view thereof;
FIG. 4 is a bottom plan view thereof;
FIG. 5 is a right side elevational view thereof, the left side
elevational view being a mirror image; and,
FIG. 6 is a front side elevational view thereof, the rear side
elevational view being a mirror image.

1 Claim, 2 Drawing Sheets



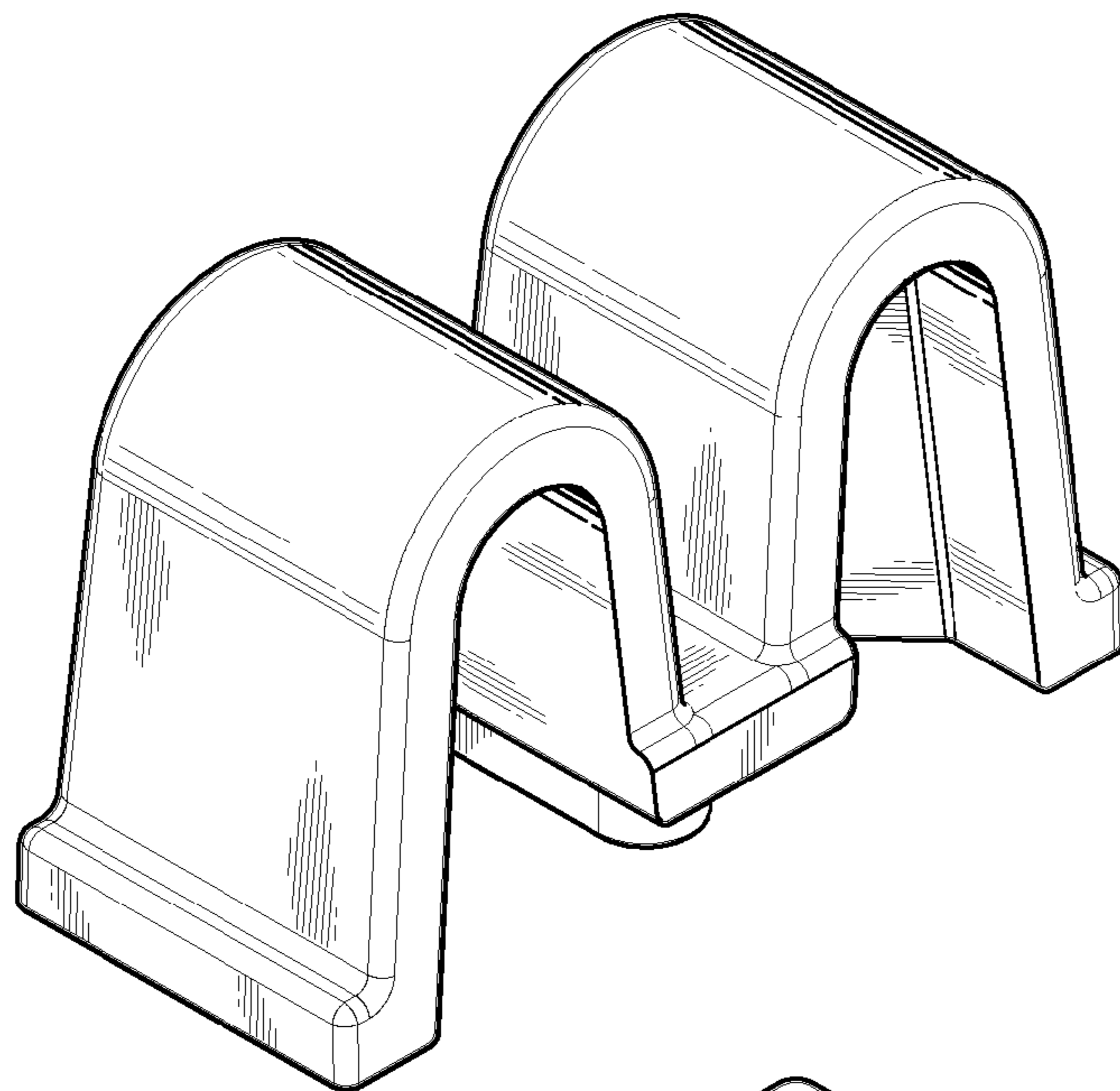


FIG. 1

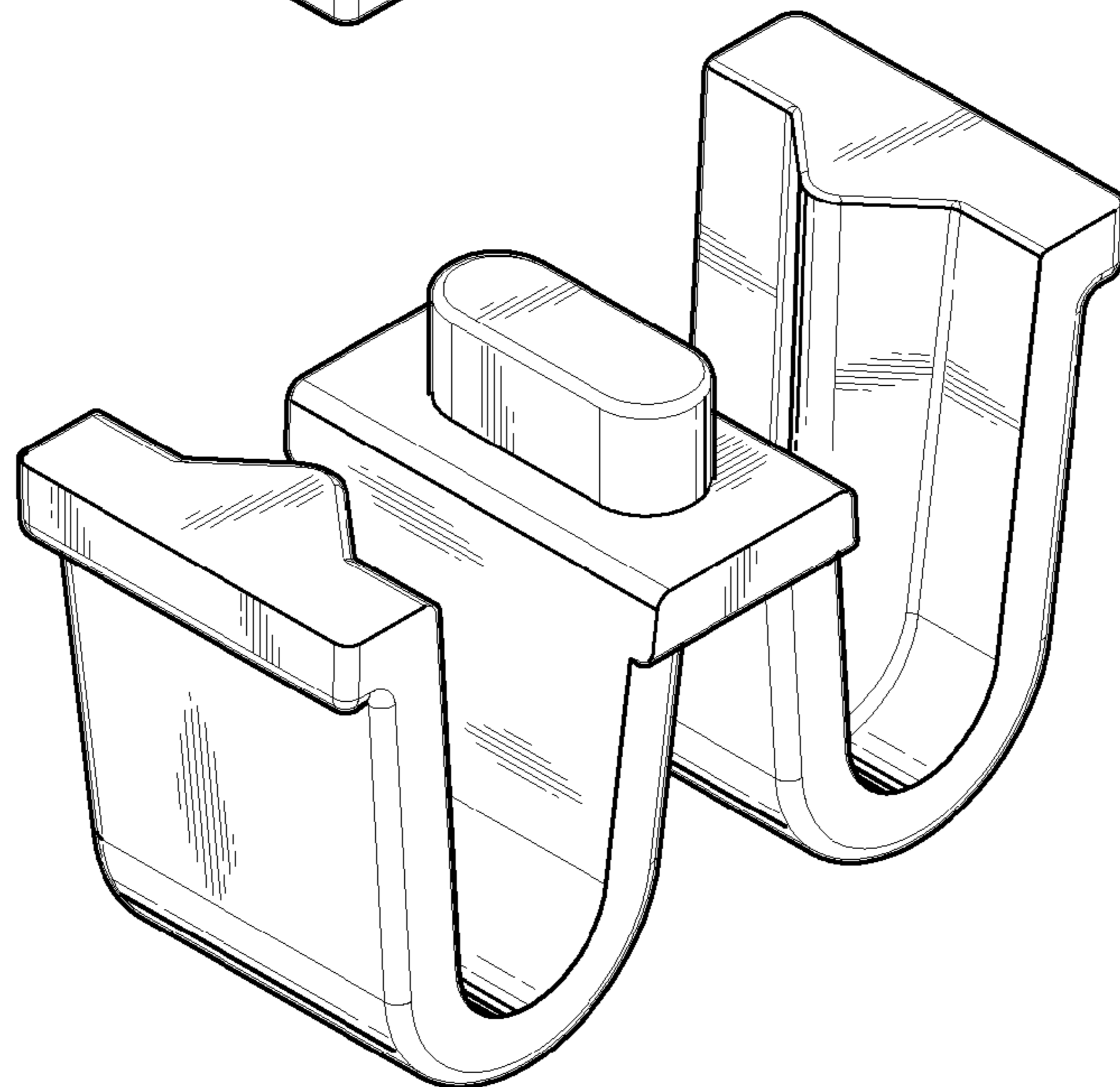


FIG. 2

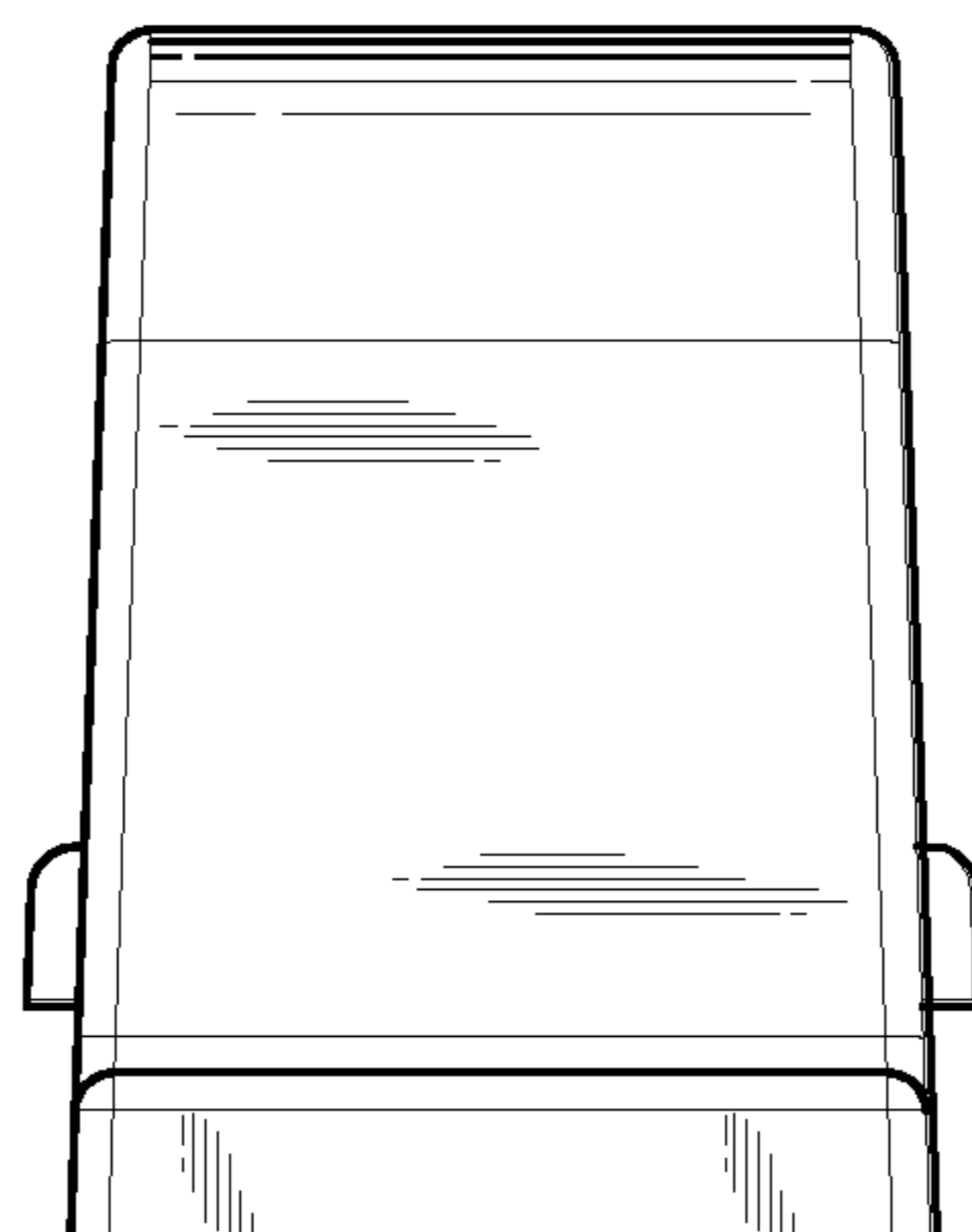


FIG. 3

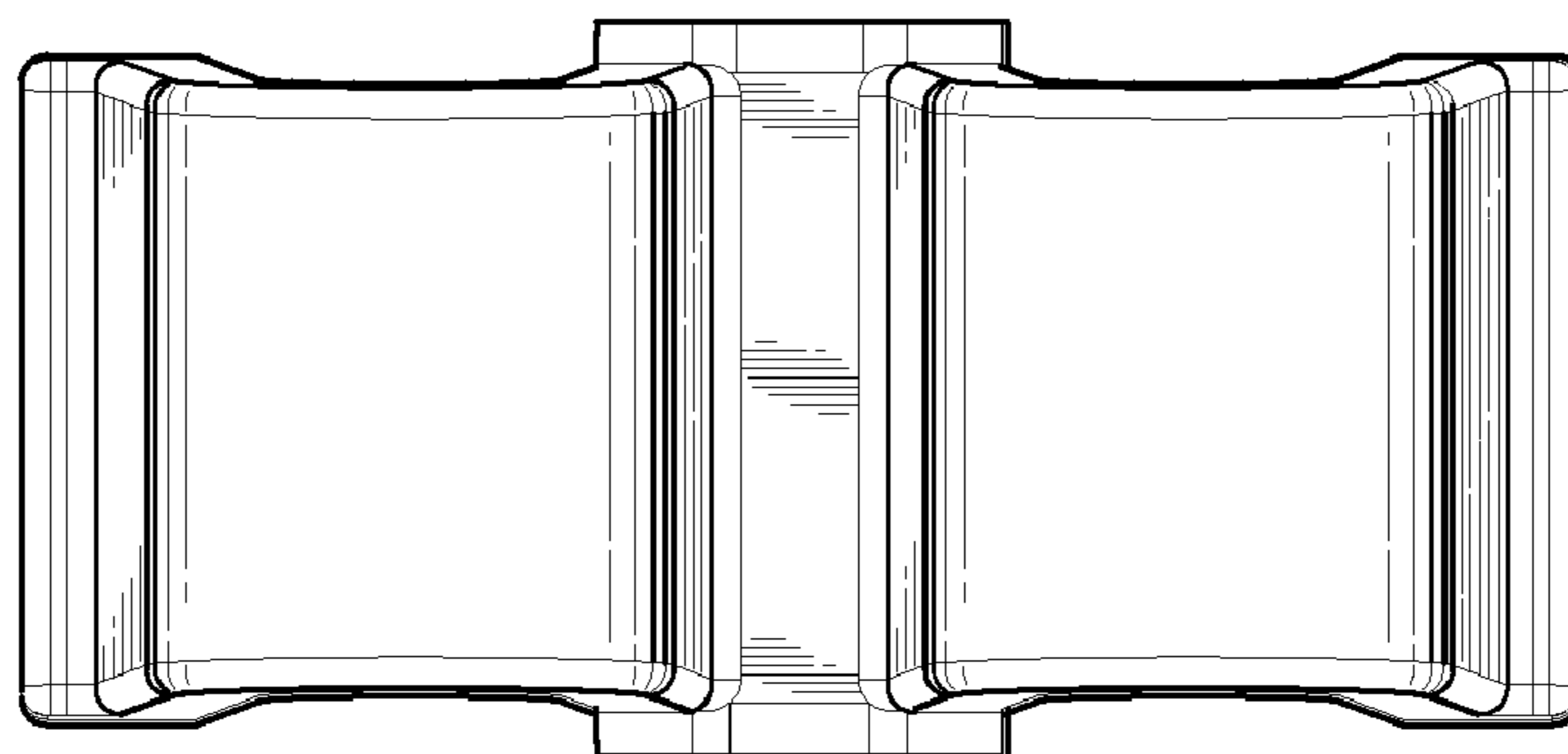


FIG. 4

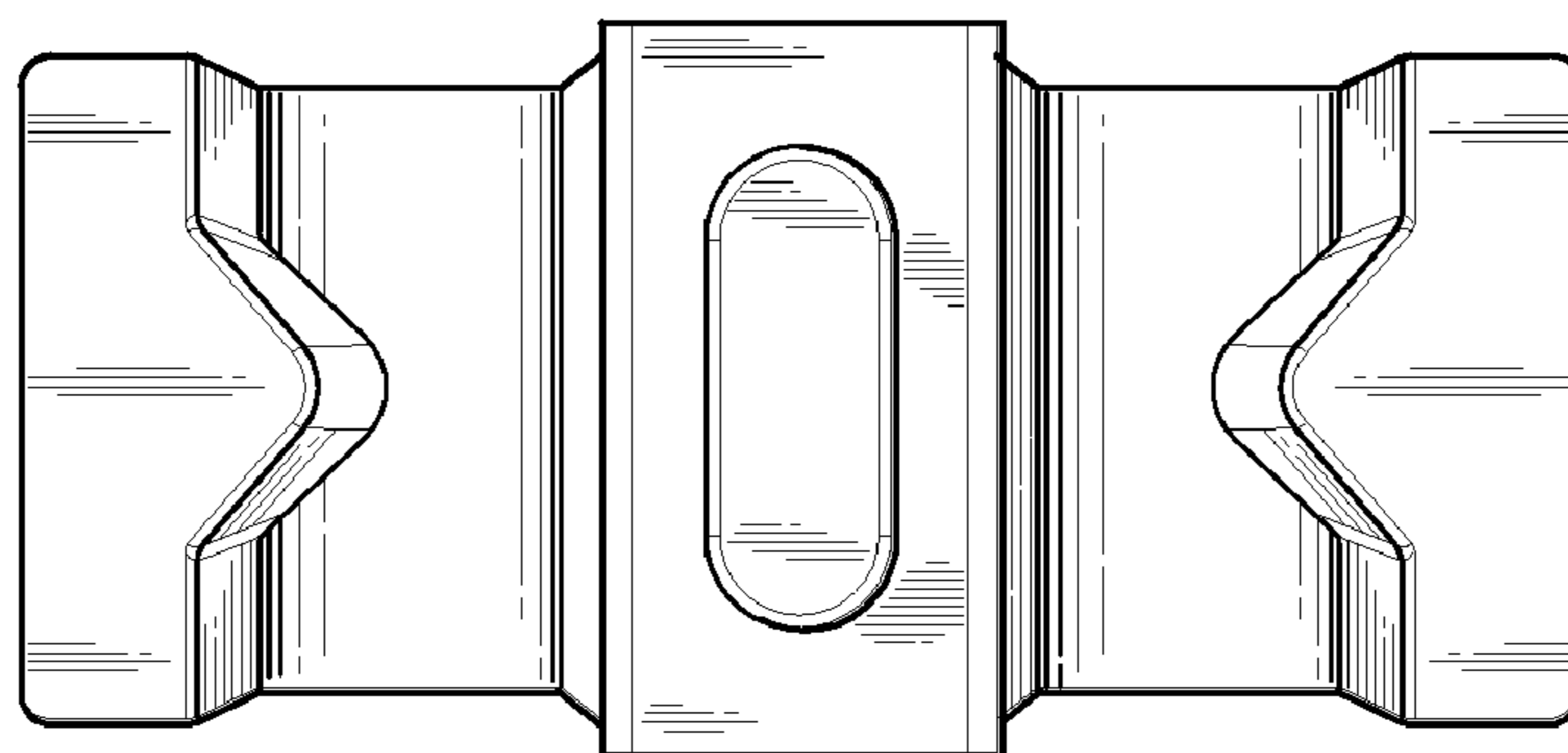


FIG. 5

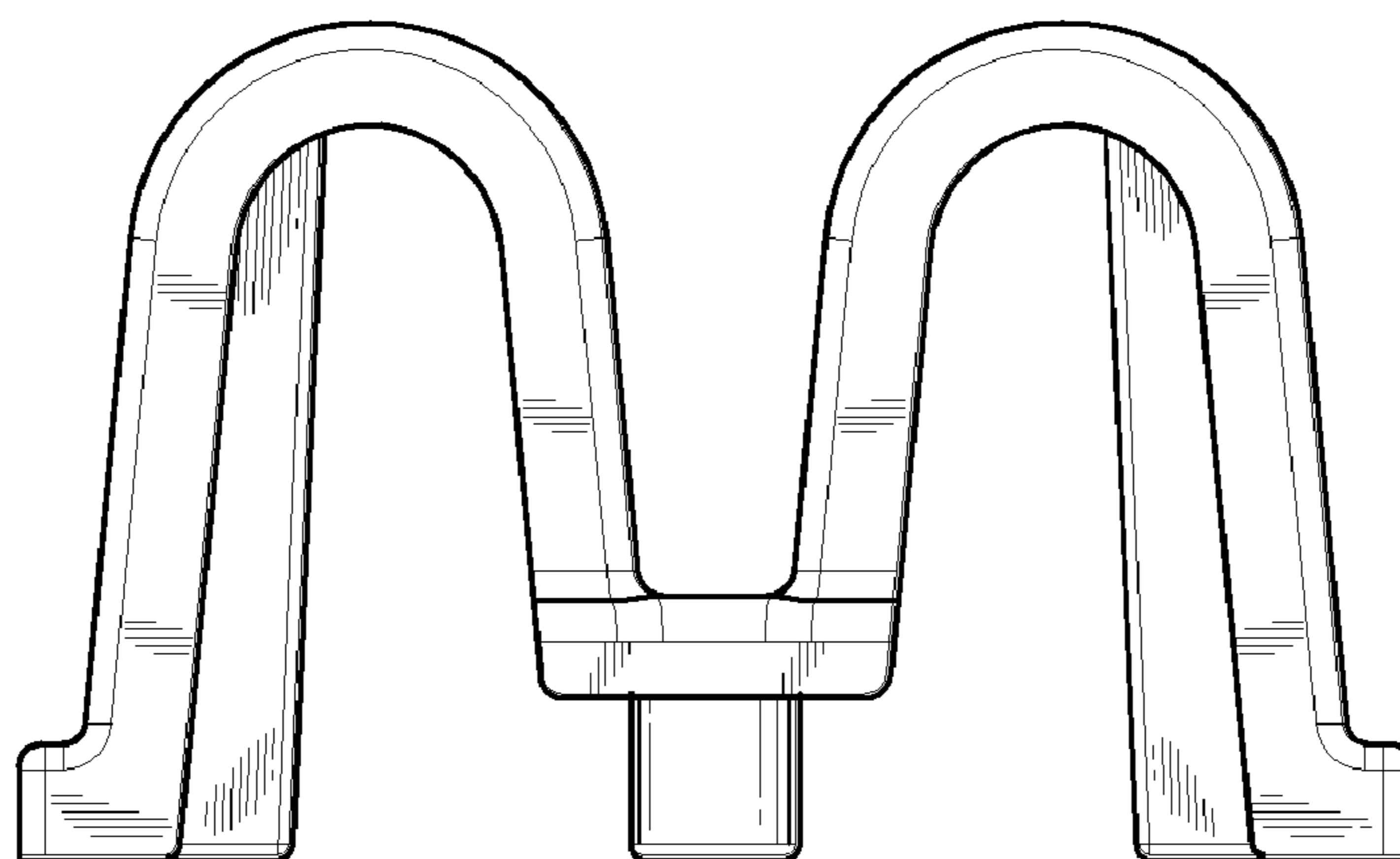


FIG. 6