

US00D662396S

(12) **United States Design Patent**
Misner

(10) **Patent No.:** **US D662,396 S**

(45) **Date of Patent:** **** Jun. 26, 2012**

(54) **INSERT FOR PADLOCKS**
(75) Inventor: **Michael O. Misner**, Lake Villa, IL (US)
(73) Assignee: **The Eastern Company**, Wheeling, IL (US)
(**) Term: **14 Years**
(21) Appl. No.: **29/374,519**

5,280,518 A *	1/1994	Danler et al.	379/102.06
5,328,291 A *	7/1994	Wisniewski	404/2
5,784,906 A *	7/1998	Moore	70/57
6,012,309 A	1/2000	Liu	70/25
D422,880 S *	4/2000	Matyko	D8/334
D479,975 S *	9/2003	Winocoor	D8/331
6,626,016 B2 *	9/2003	Nilges	70/14
6,708,534 B1	3/2004	Ruan	70/38 A
6,834,519 B1	12/2004	Yang	70/58
7,536,883 B1	5/2009	Liu	70/25
D634,605 S *	3/2011	Guimaraes	D8/343

* cited by examiner

(22) Filed: **Aug. 25, 2011**
(51) **LOC (9) Cl.** **08-07**
(52) **U.S. Cl.** **D8/343; D8/334**
(58) **Field of Classification Search** D8/330,
D8/331, 334, 343, 346, 349, 499; 70/14,
70/20, 38 A, 38 B, 38 C, 51, 52, 57, 57.1,
70/262, 431, 465, 466; 292/1, 261, 288
See application file for complete search history.

Primary Examiner — Prabhakar Deshmukh
(74) *Attorney, Agent, or Firm* — David A. Burge

(57) **CLAIM**
I claim the ornamental design for an insert for padlocks, substantially as shown and described.

DESCRIPTION

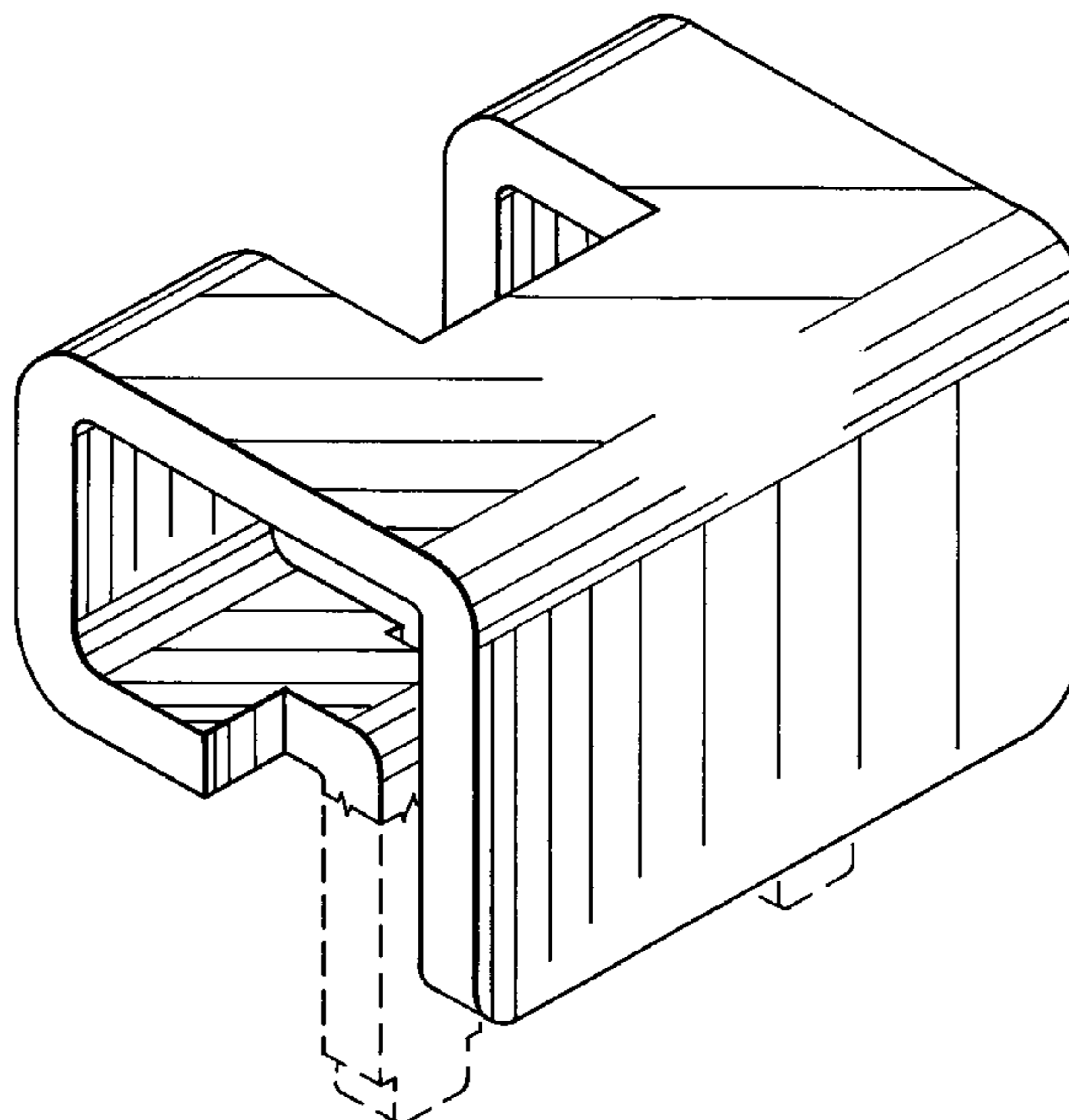
(56) **References Cited**

U.S. PATENT DOCUMENTS

1,964,936 A	7/1934	Denerich	70/25
2,136,493 A	11/1938	Denerich	70/80
2,144,047 A	1/1939	Eden	70/66
2,163,852 A	6/1939	Pond	70/21
2,183,168 A	12/1939	Pond	70/25
2,183,792 A	12/1939	Eden et al.	70/25
2,853,868 A	9/1958	Vahlstrom	70/24
3,419,893 A	12/1968	Vahlstrom	70/24
3,817,063 A	6/1974	Williams	70/24
3,837,189 A *	9/1974	Atkinson	70/21
4,047,406 A	9/1977	Foote	70/25
D249,633 S *	9/1978	Sasaki	D8/331
4,641,505 A *	2/1987	Maurice	70/63
5,174,136 A *	12/1992	Thwing	70/38 A
5,186,029 A *	2/1993	Myers	70/38 A

FIG. 1 is a front, top and left side perspective view of an insert for padlocks showing my new design;
FIG. 2 is a front elevational view thereof;
FIG. 3 is a left side elevational view thereof, the right side elevational view being a mirror image thereof;
FIG. 4 is a rear elevational view thereof;
FIG. 5 is a top plan view thereof; and,
FIG. 6 is a bottom plan view thereof.
The broken lines environment is for illustrative purpose only and forms no part of the claimed design. References used herein as front, rear, left, right, top and bottom of the claimed design are not meant for any particular in-use orientation and may be changed for different orientation of the insert as chosen by the user.

1 Claim, 2 Drawing Sheets



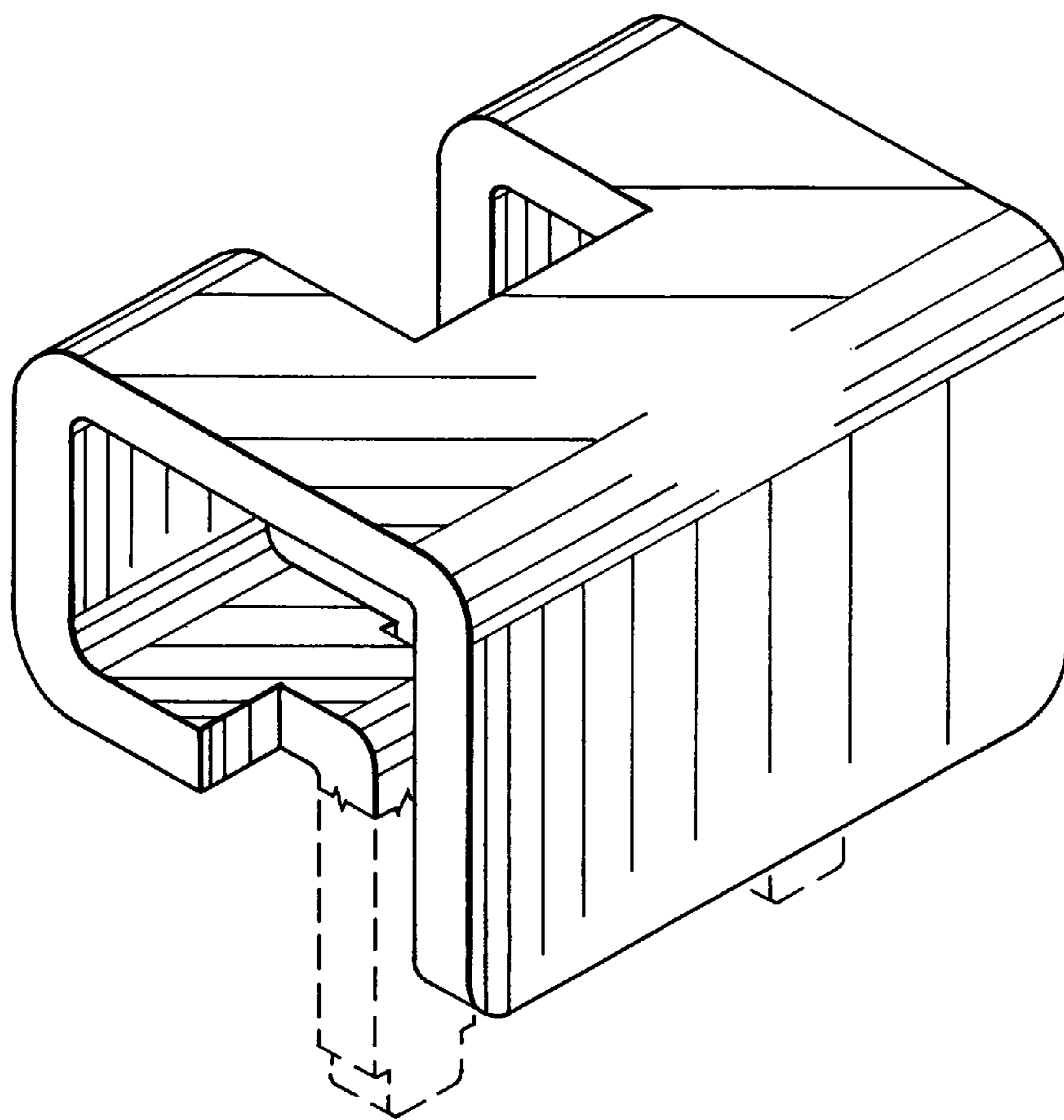


FIG. 1

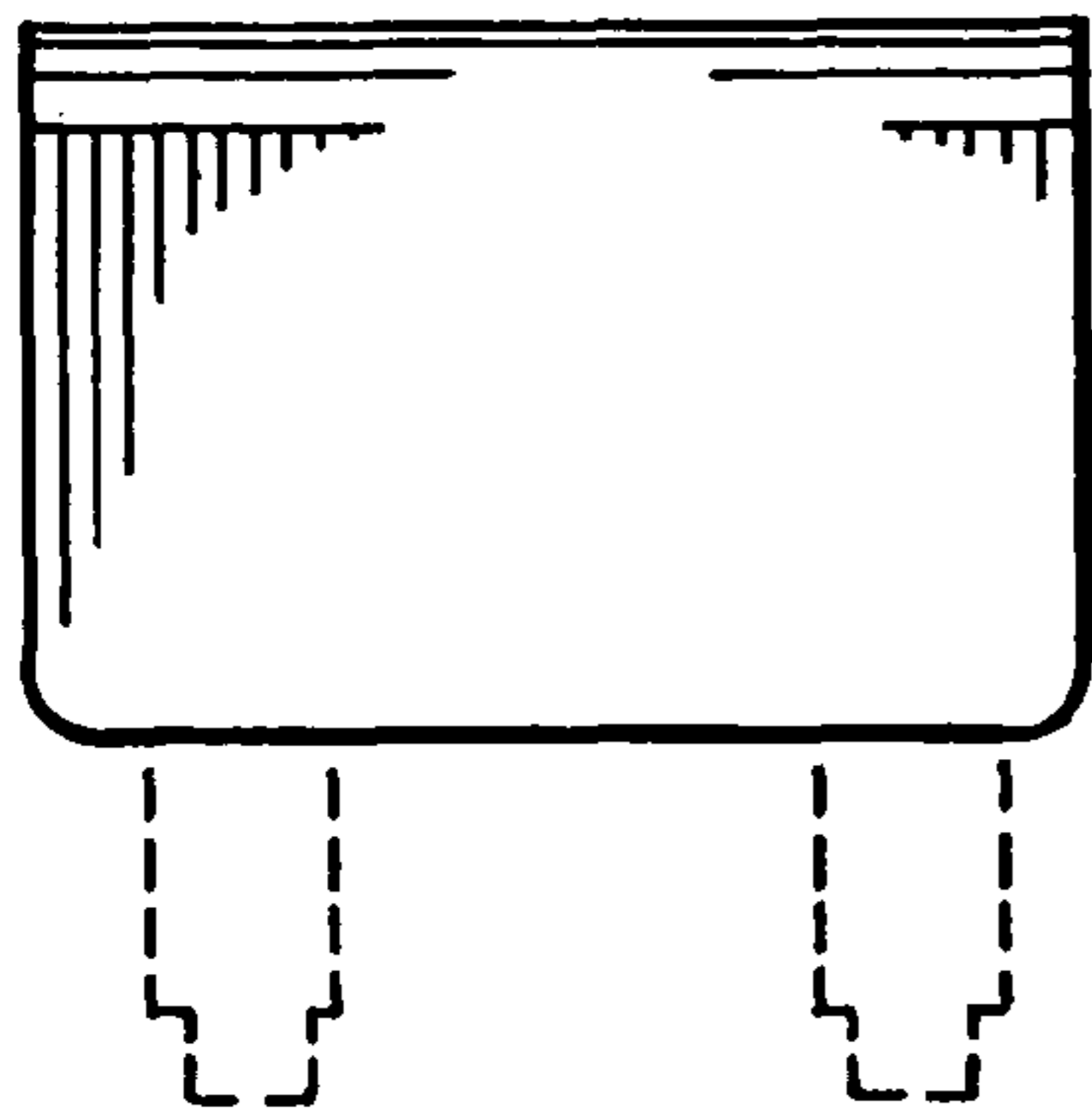


FIG. 2

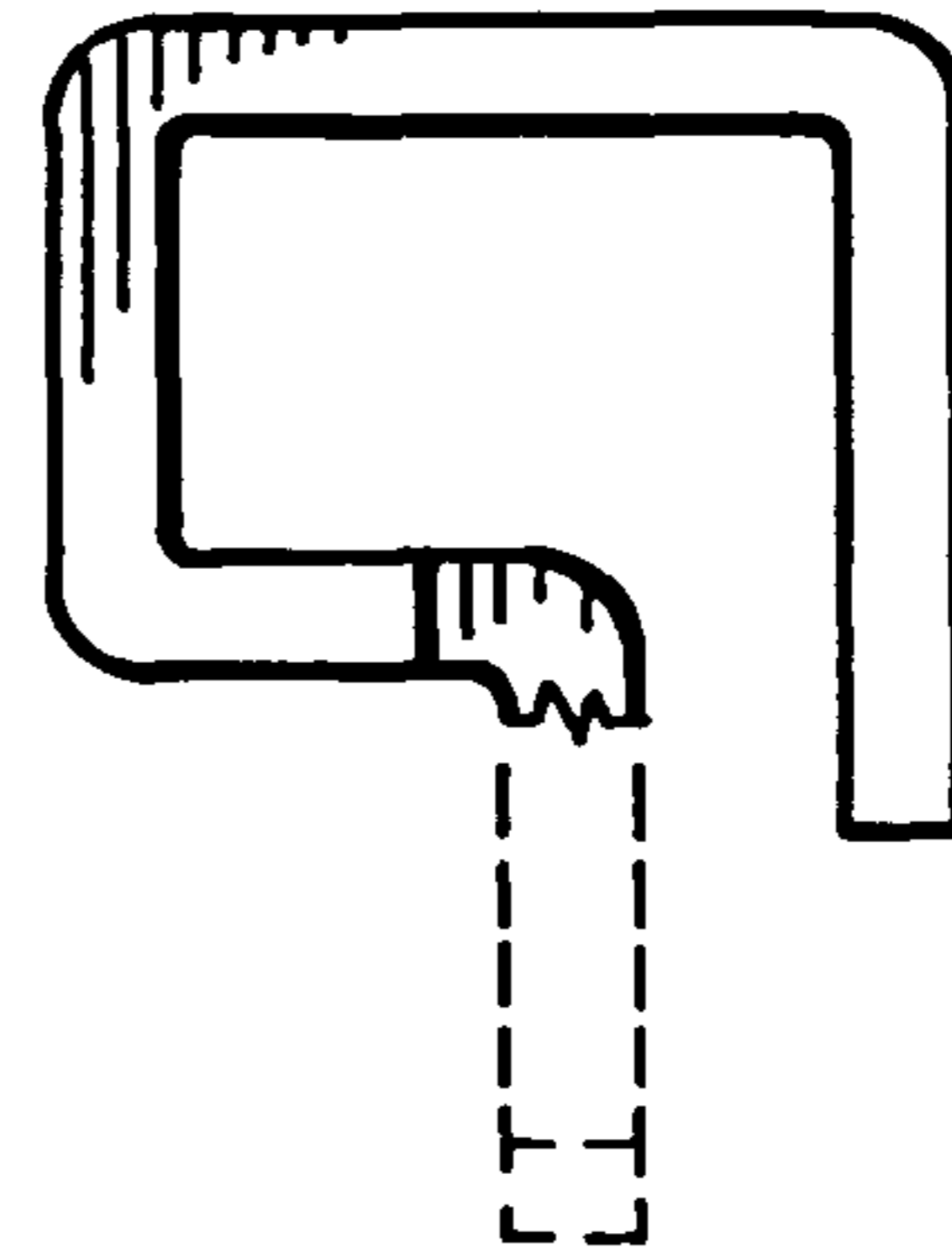


FIG. 3

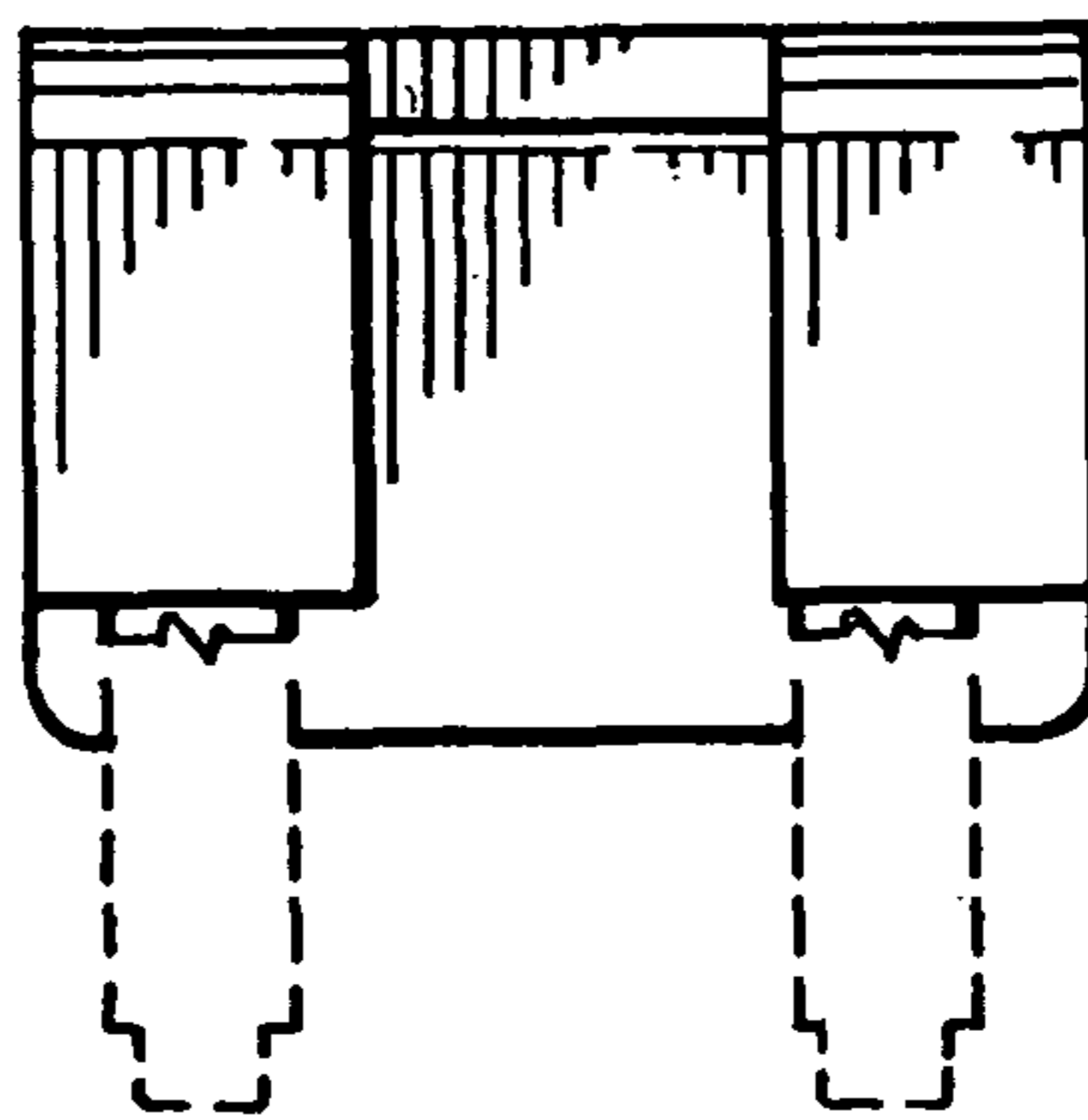


FIG. 4

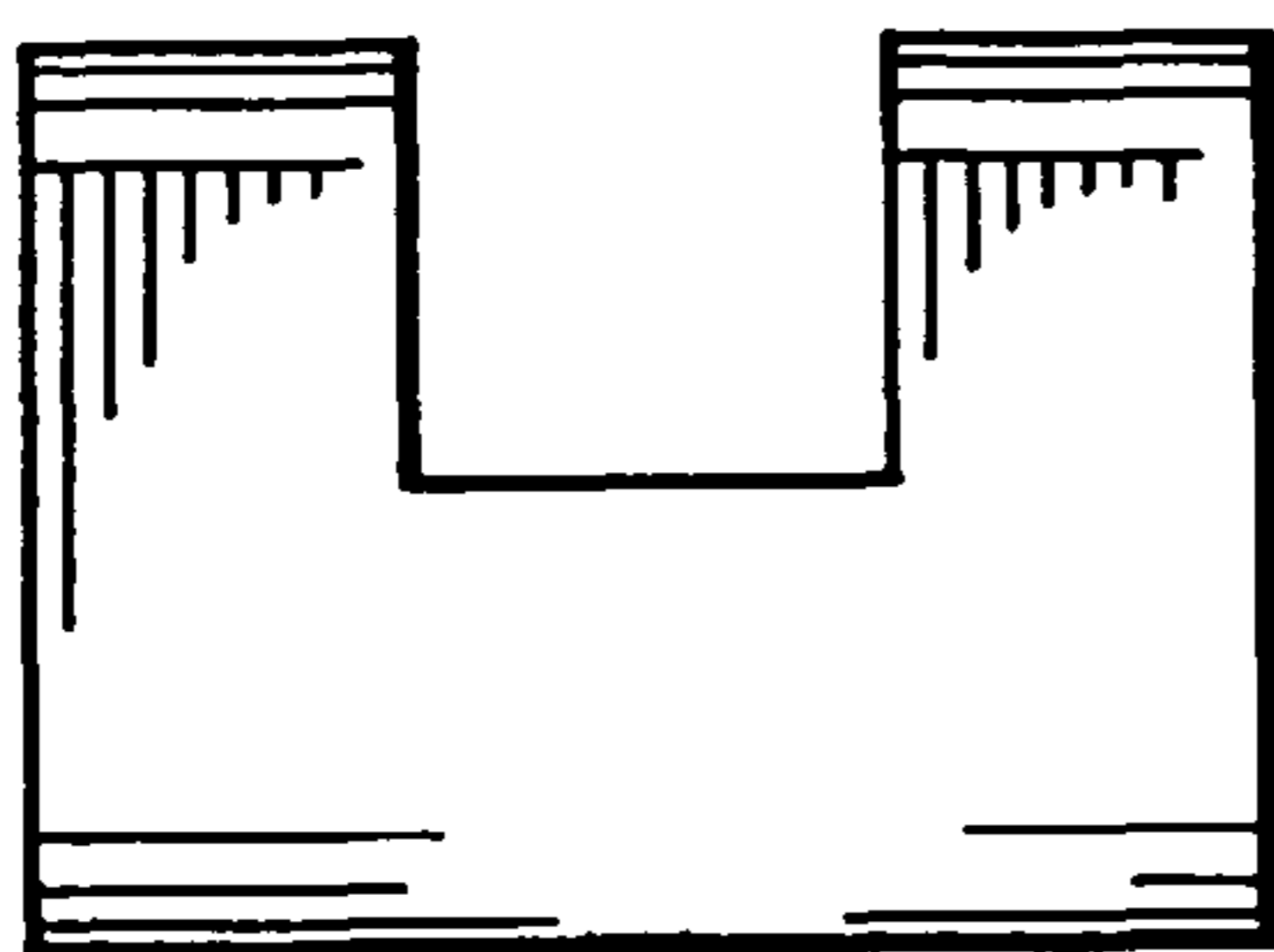


FIG. 5

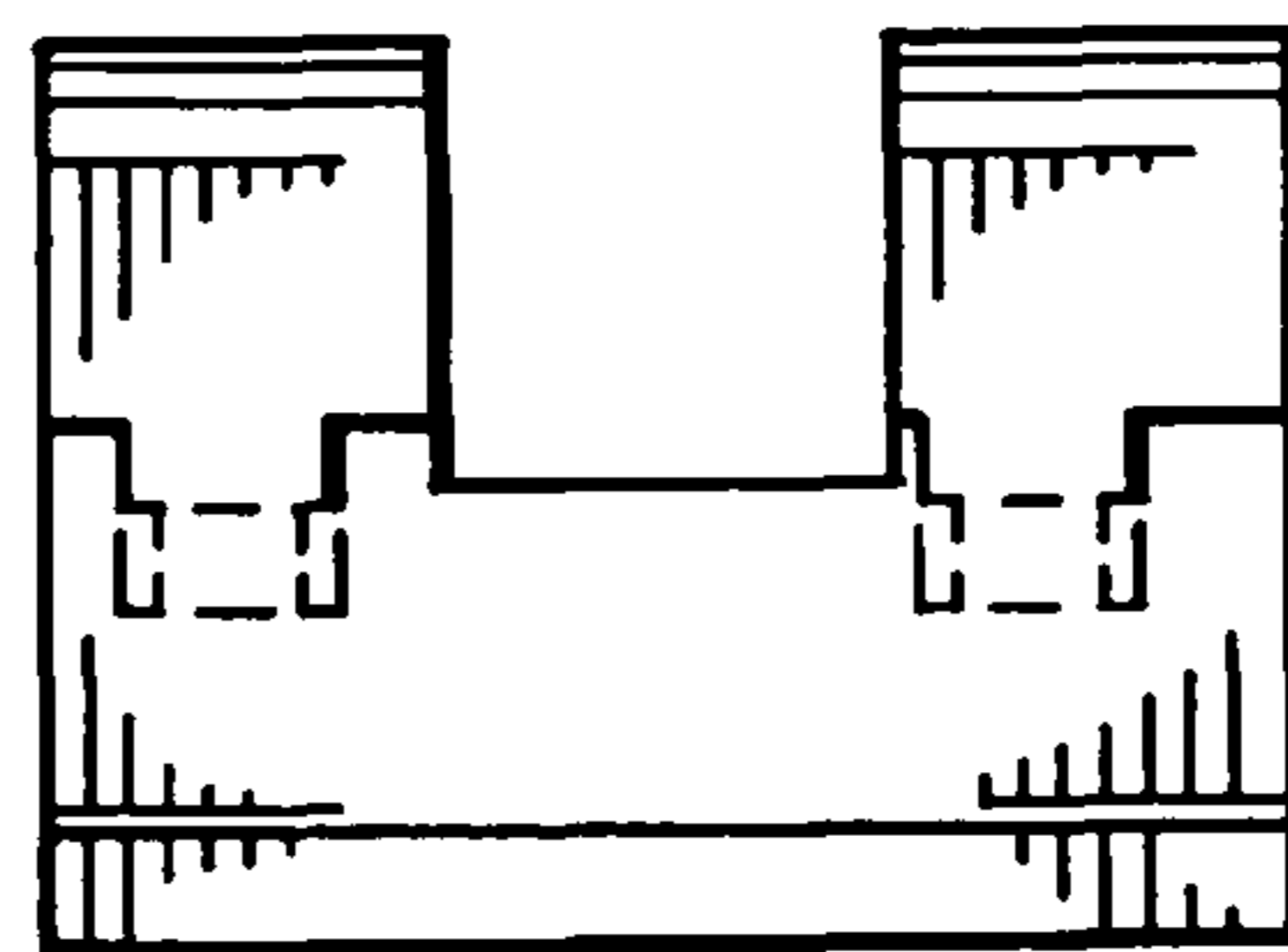


FIG. 6