



US00D662394S

(12) **United States Design Patent**
Schmidt et al.

(10) **Patent No.:** **US D662,394 S**

(45) **Date of Patent:** **** Jun. 26, 2012**

(54) **COMBINATION LOCK**

(75) Inventors: **Peter Schmidt**, San Jose, CA (US);
Kurt Kemppainen, Mound, MN (US)

(73) Assignee: **Wordlock, Inc.**, Santa Clara, CA (US)

(**) Term: **14 Years**

(21) Appl. No.: **29/400,305**

(22) Filed: **Aug. 25, 2011**

(51) **LOC (9) Cl.** **08-07**

(52) **U.S. Cl.** **D8/334**

(58) **Field of Classification Search** D8/330,
D8/331, 334, 333, 335, 339; 70/20, 24-29,
70/31, 35, 38 R, 40-48, 14
See application file for complete search history.

(56) **References Cited**

U.S. PATENT DOCUMENTS

2,931,204	A *	4/1960	Check	70/21
3,952,559	A *	4/1976	Atkinson	70/25
4,422,311	A *	12/1983	Zabel et al.	70/25
D476,216	S *	6/2003	Vito	D8/334
6,718,803	B2 *	4/2004	Knoll	70/26

7,426,841	B2 *	9/2008	Yang	70/63
D590,695	S *	4/2009	Wu	D8/334
D605,494	S *	12/2009	Plato	D8/334
D646,953	S *	10/2011	Schmidt et al.	D8/334

* cited by examiner

Primary Examiner — Prabhakar Deshmukh

(74) *Attorney, Agent, or Firm* — Perkins Coie LLP

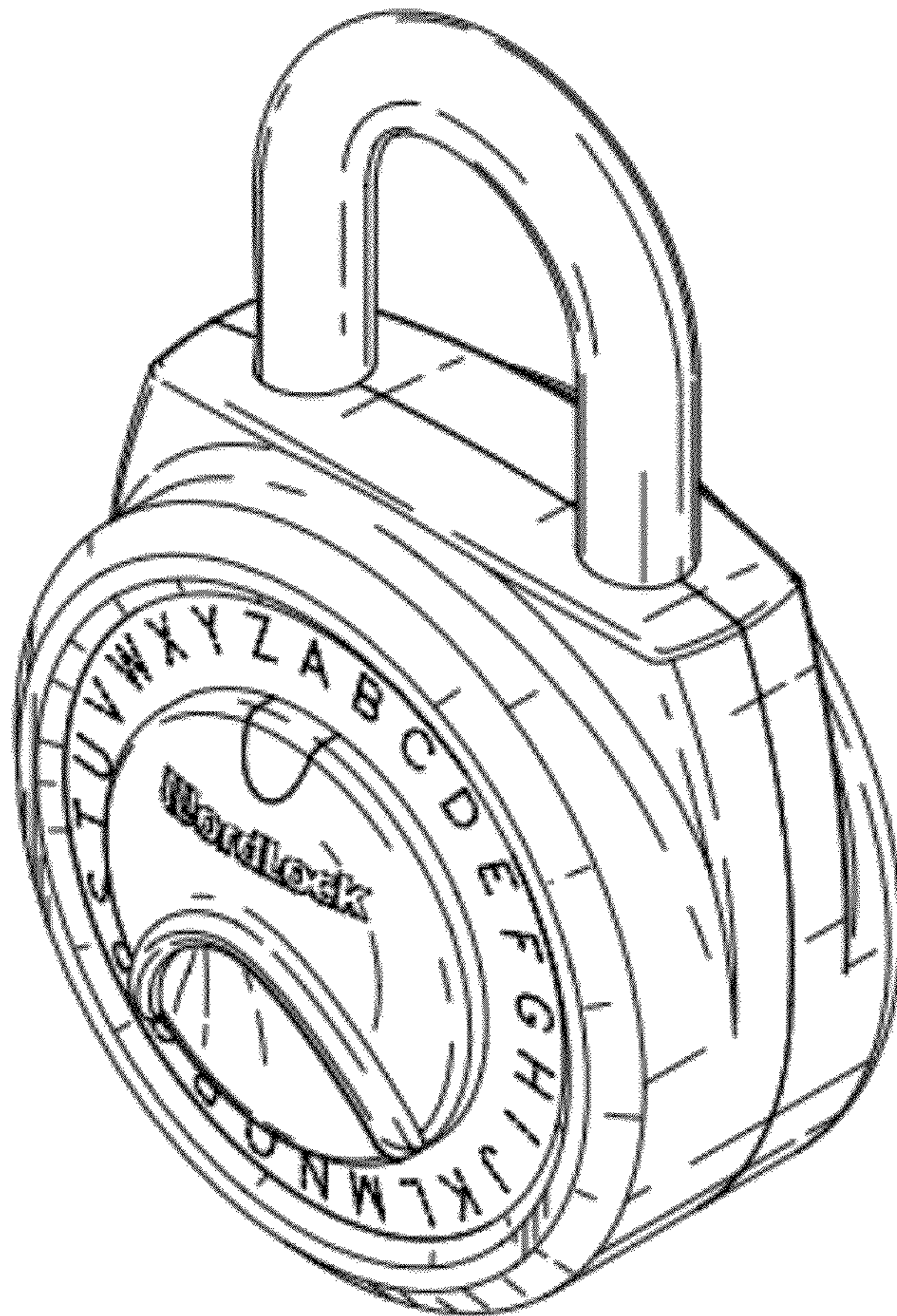
(57) **CLAIM**

The ornamental design for the combination lock, as shown and described.

DESCRIPTION

FIG. 1 is a perspective view of a combination lock showing our new design;
FIG. 2 is a front elevational view thereof;
FIG. 3 is a rear elevational view thereof;
FIG. 4 is a left side elevational view thereof;
FIG. 5 is a right side elevational view thereof;
FIG. 6 is a top plan view thereof; and,
FIG. 7 is a bottom plan view thereof.
The broken lines are for illustrative purpose only and form no part of the claimed Design.

1 Claim, 2 Drawing Sheets



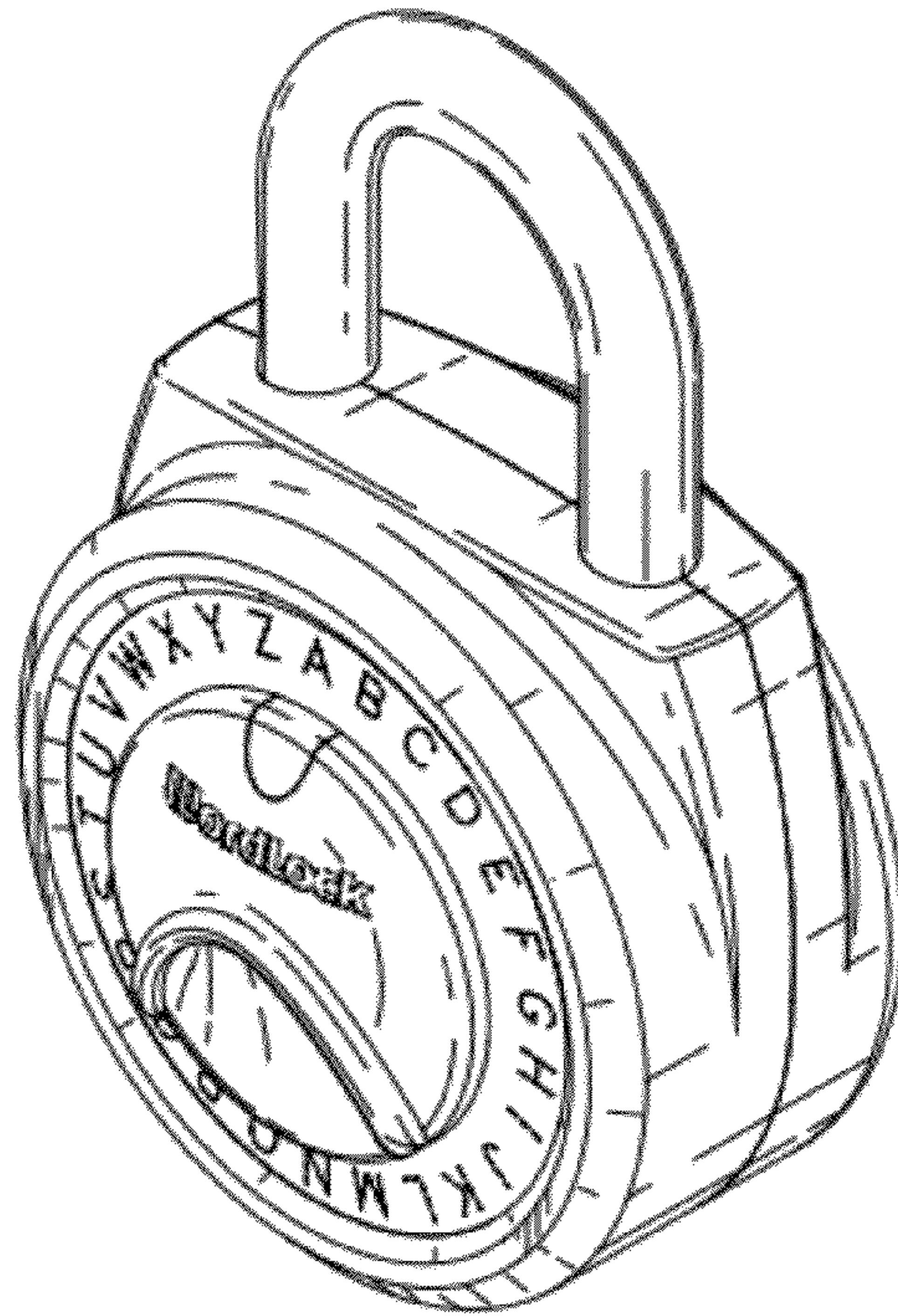


Fig. 1

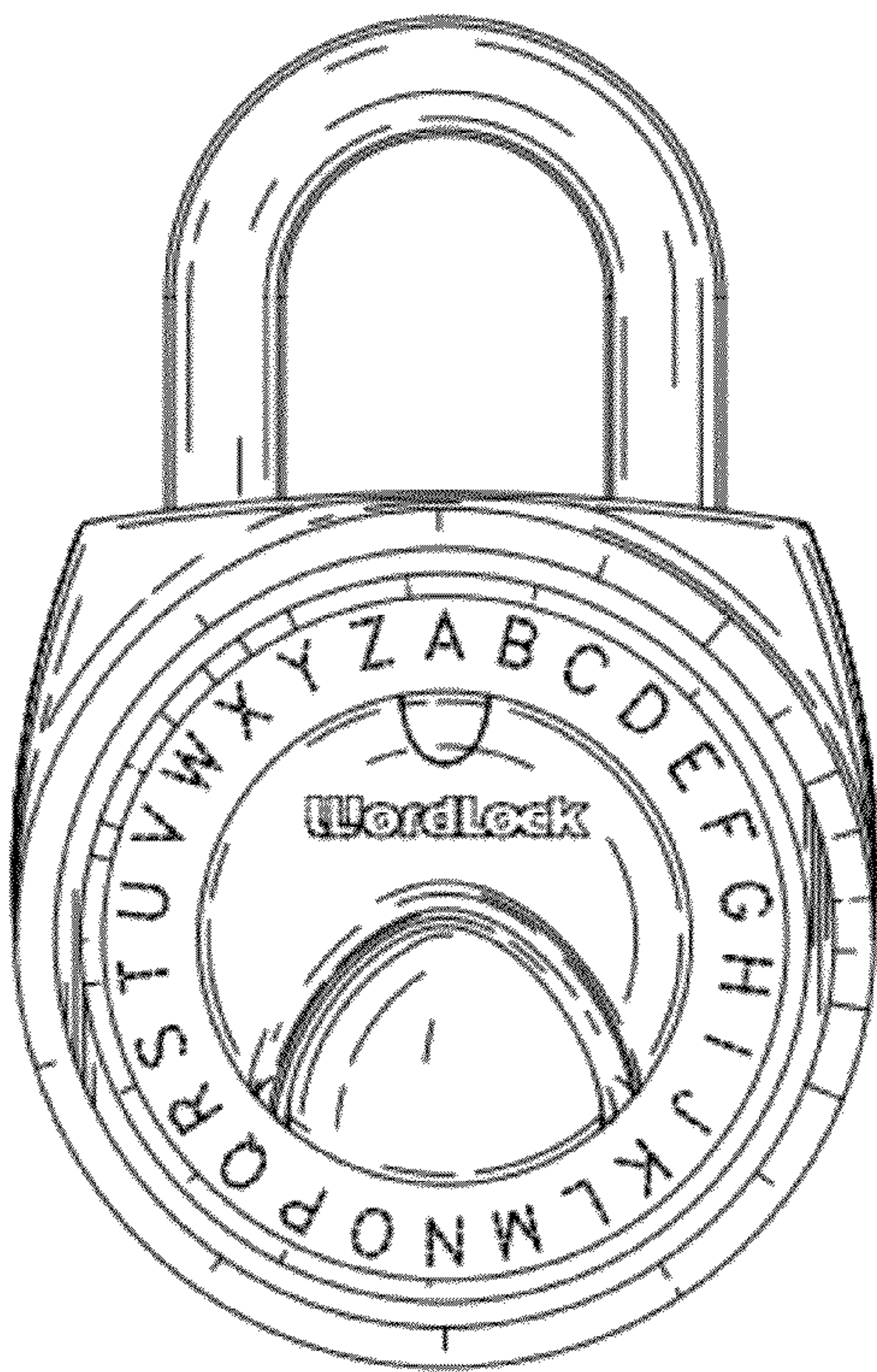


Fig. 2

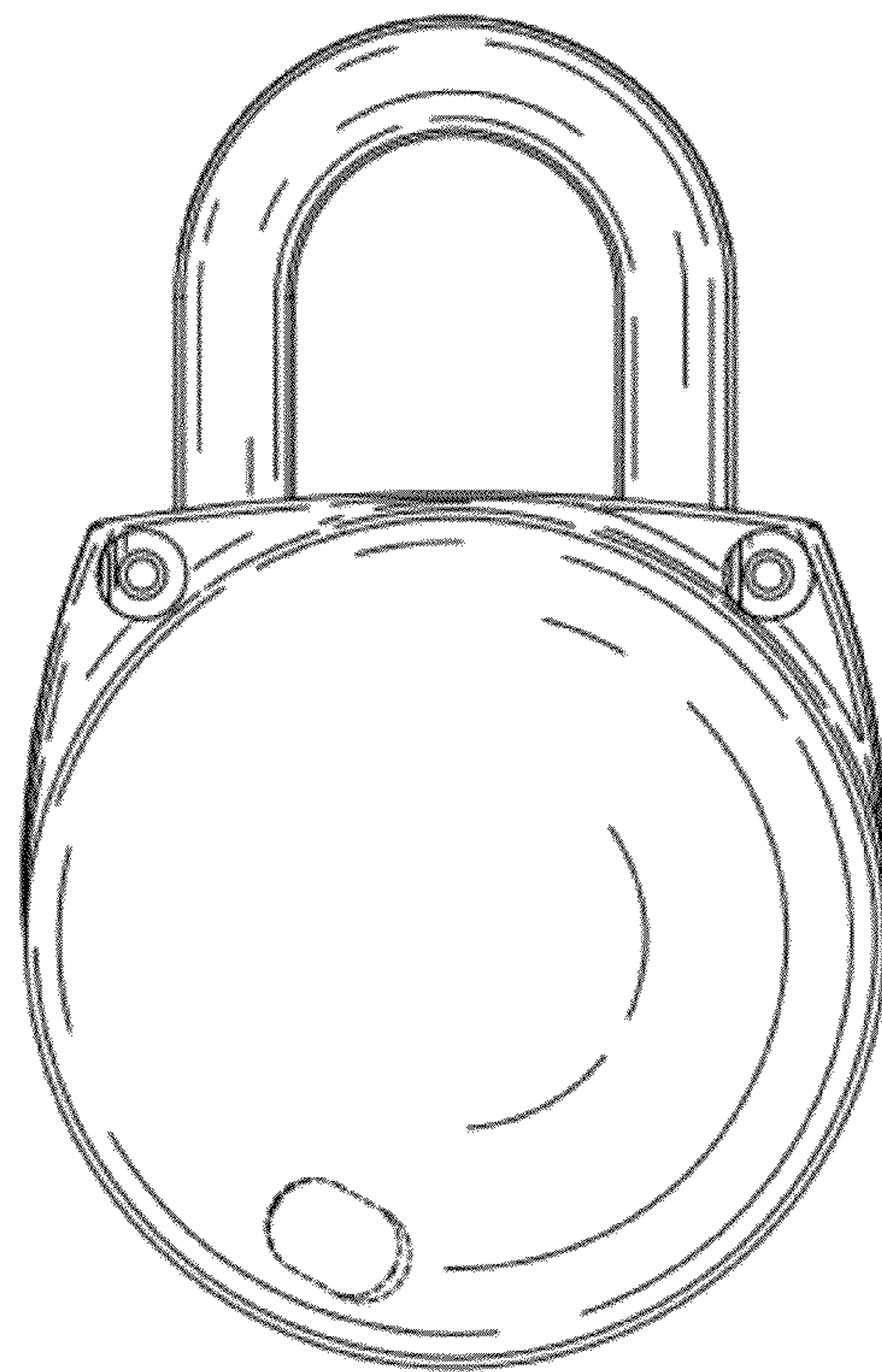


Fig. 3

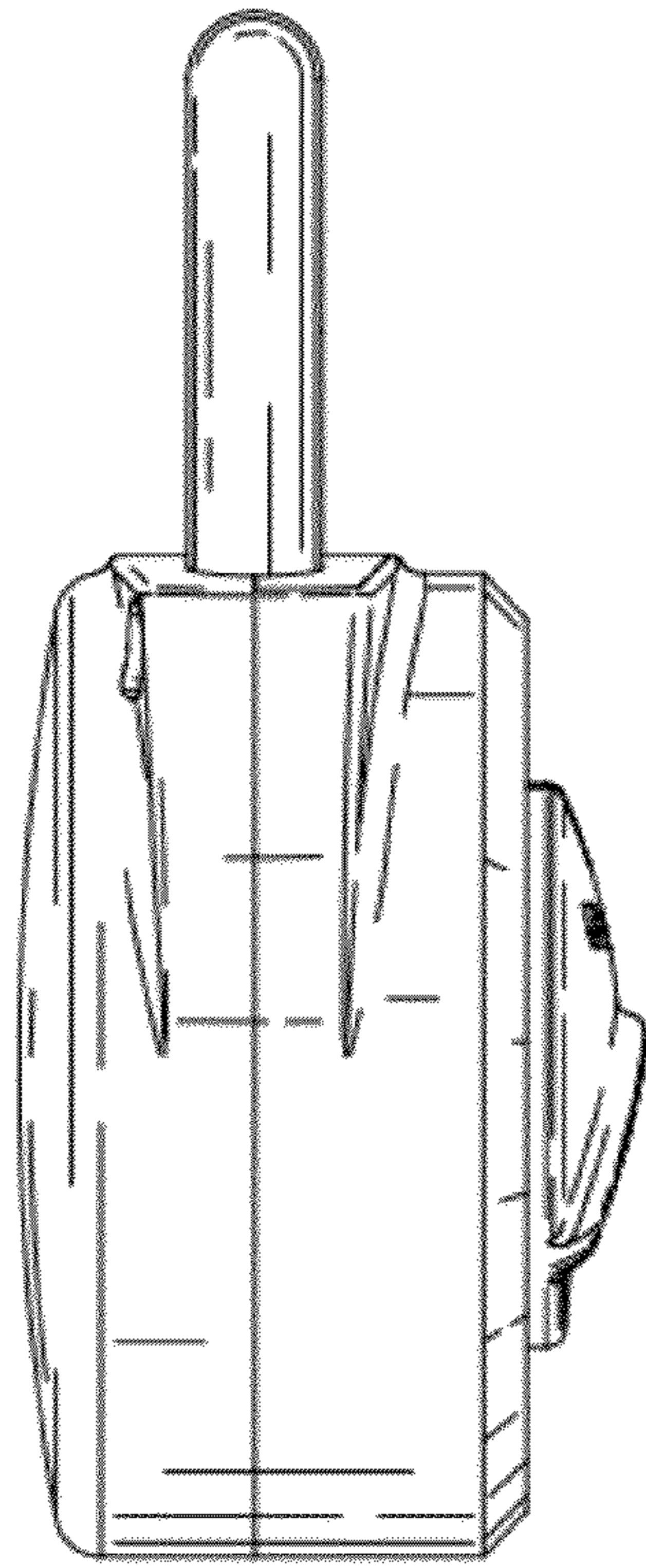


Fig. 4

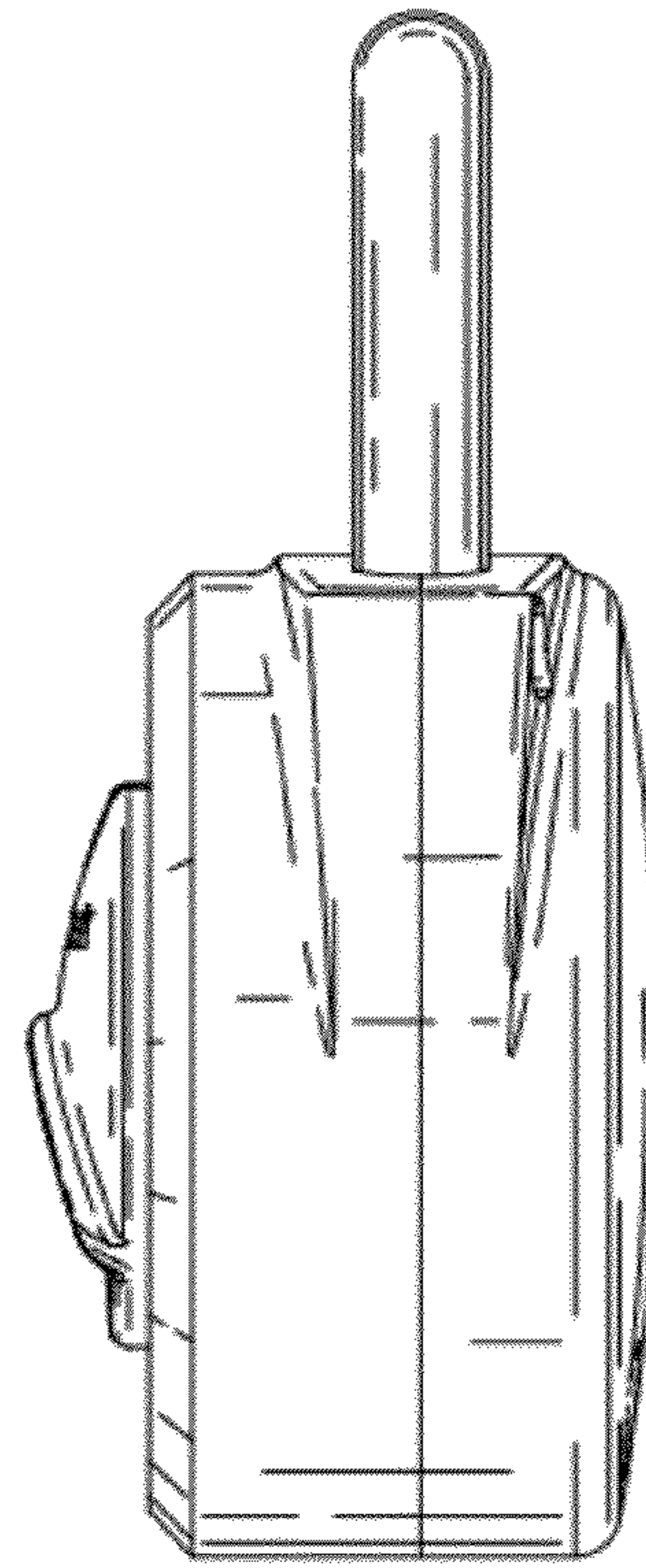


Fig. 5

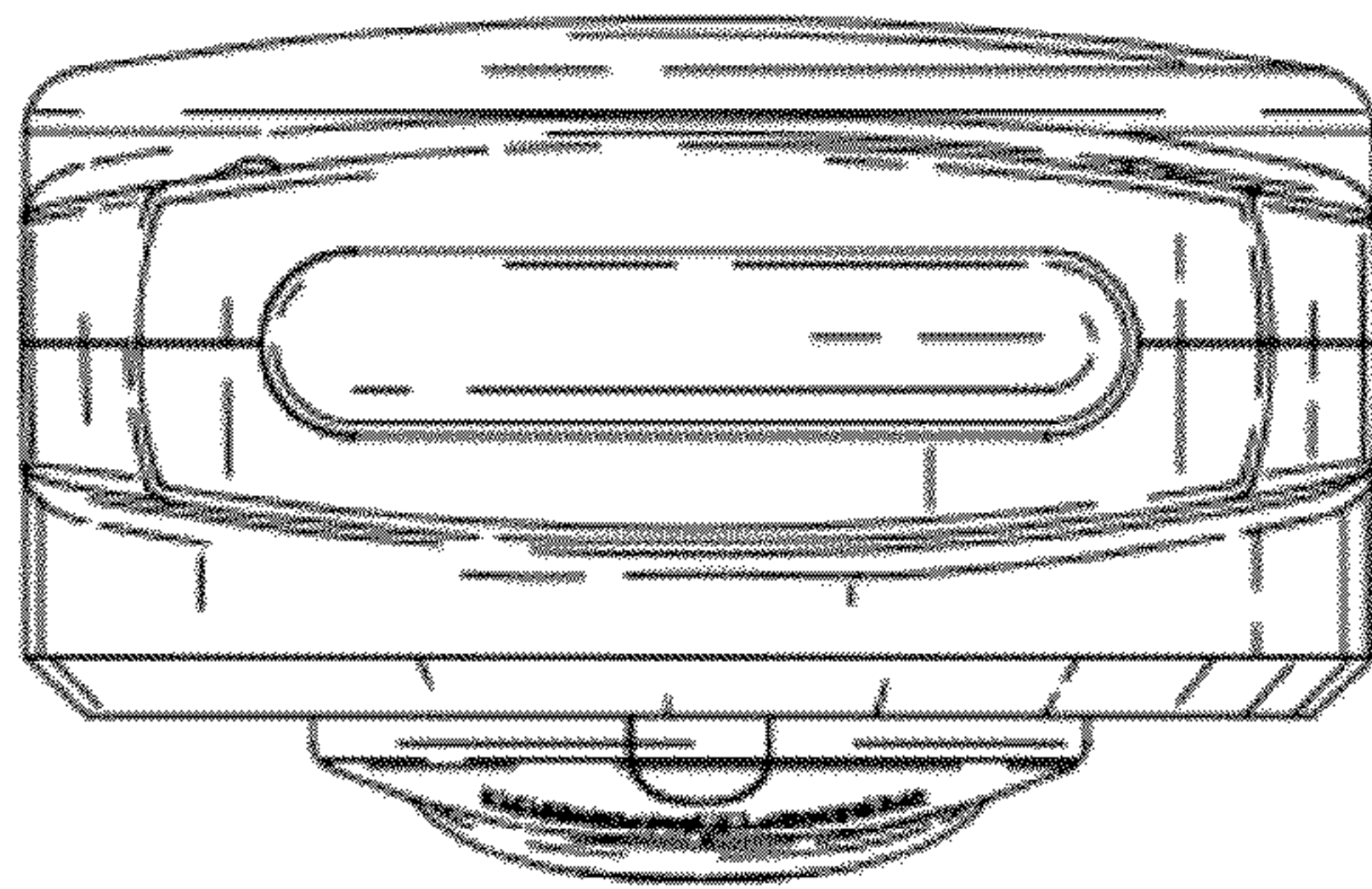


Fig. 6

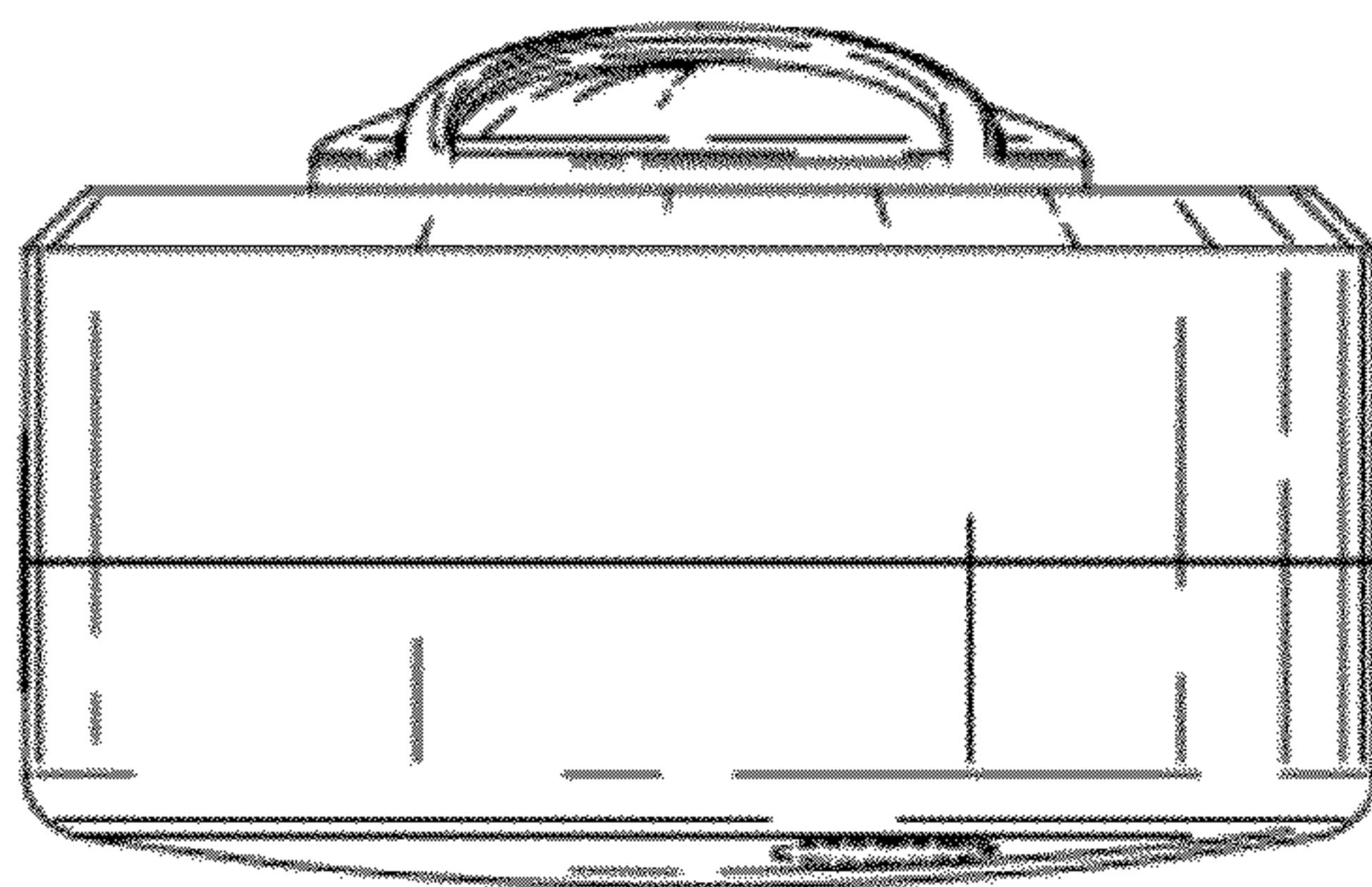


Fig. 7