

US00D662393S

(12) **United States Design Patent**
Tonelli

(10) **Patent No.:** **US D662,393 S**
(45) **Date of Patent:** **** Jun. 26, 2012**

(54) **PADLOCK**

(75) Inventor: **Massimo Tonelli**, Casalecchio di Reno (IT)

(73) Assignee: **G.T. Line—S.R.L.**, Crespellano (IT)

(**) Term: **14 Years**

(21) Appl. No.: **29/371,760**

(22) Filed: **Sep. 6, 2011**

(30) **Foreign Application Priority Data**

Mar. 7, 2011 (EM) 001263883

(51) **LOC (9) Cl.** **08-07**

(52) **U.S. Cl.** **D8/334**

(58) **Field of Classification Search** D8/330,
D8/331, 336–339, 334; 70/14, 20–22, 25,
70/26, 284, 285, DIG. 63, DIG. 71, 52, 57

See application file for complete search history.

(56) **References Cited**

U.S. PATENT DOCUMENTS

3,750,431 A * 8/1973 Atkinson 70/21
3,808,848 A * 5/1974 Yang 70/21
3,835,675 A * 9/1974 Lippisch 70/38 A
3,908,415 A * 9/1975 Foote 70/49

4,444,029 A * 4/1984 Remington 70/25
D453,467 S * 2/2002 Nakamura D8/334
D470,743 S * 2/2003 Koy D8/334
6,880,370 B2 * 4/2005 Yu 70/25
D550,062 S * 9/2007 Smaldone D8/334
D577,279 S * 9/2008 Rohde et al. D8/334
D587,983 S * 3/2009 Zorc et al. D8/343
D608,180 S * 1/2010 Buseman D8/333
D642,893 S * 8/2011 Yang D8/334

* cited by examiner

Primary Examiner — Prabhakar Deshmukh

(74) *Attorney, Agent, or Firm* — Modiano & Associati;
Albert Josif; Daniel J. O’Byrne

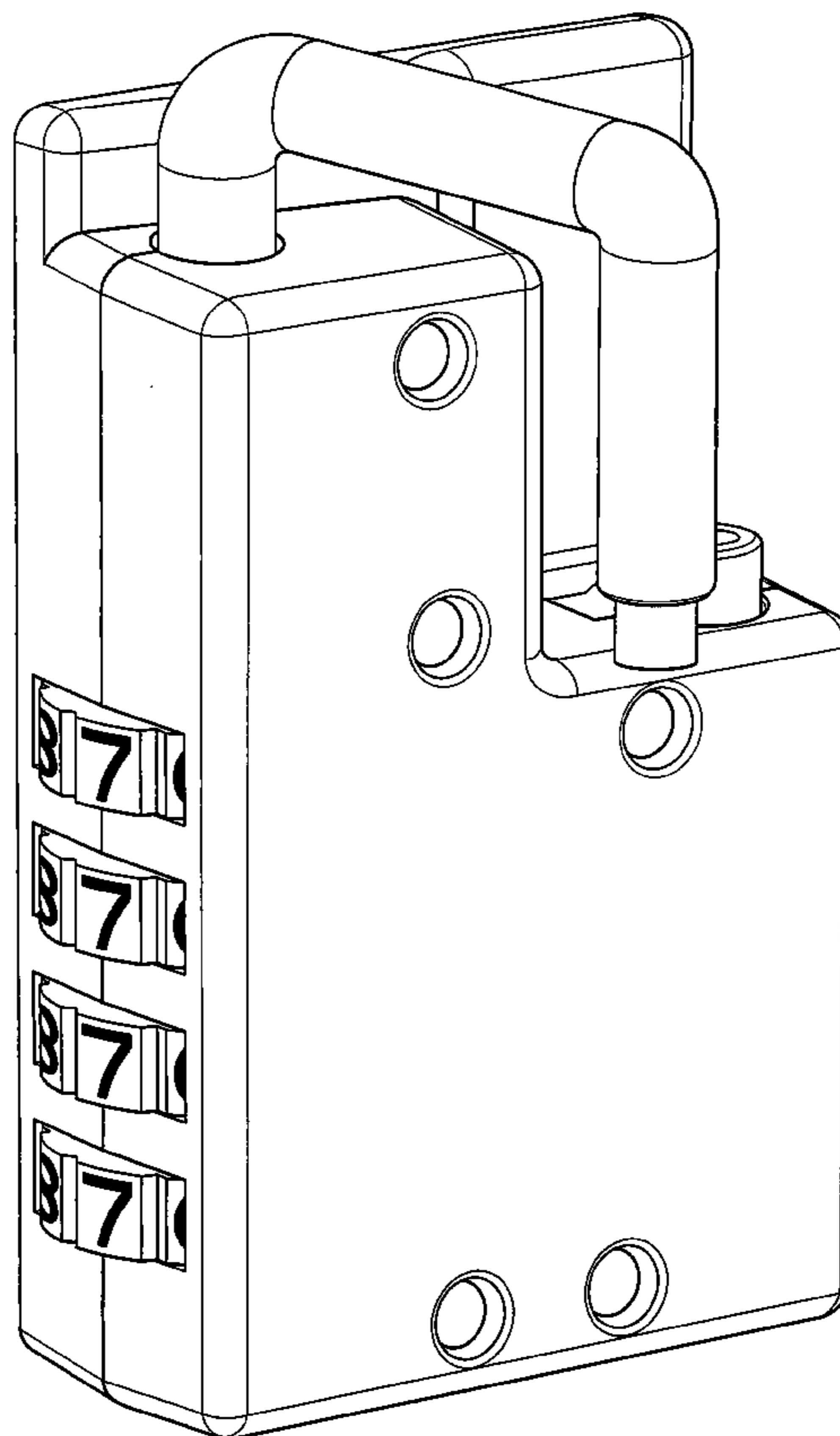
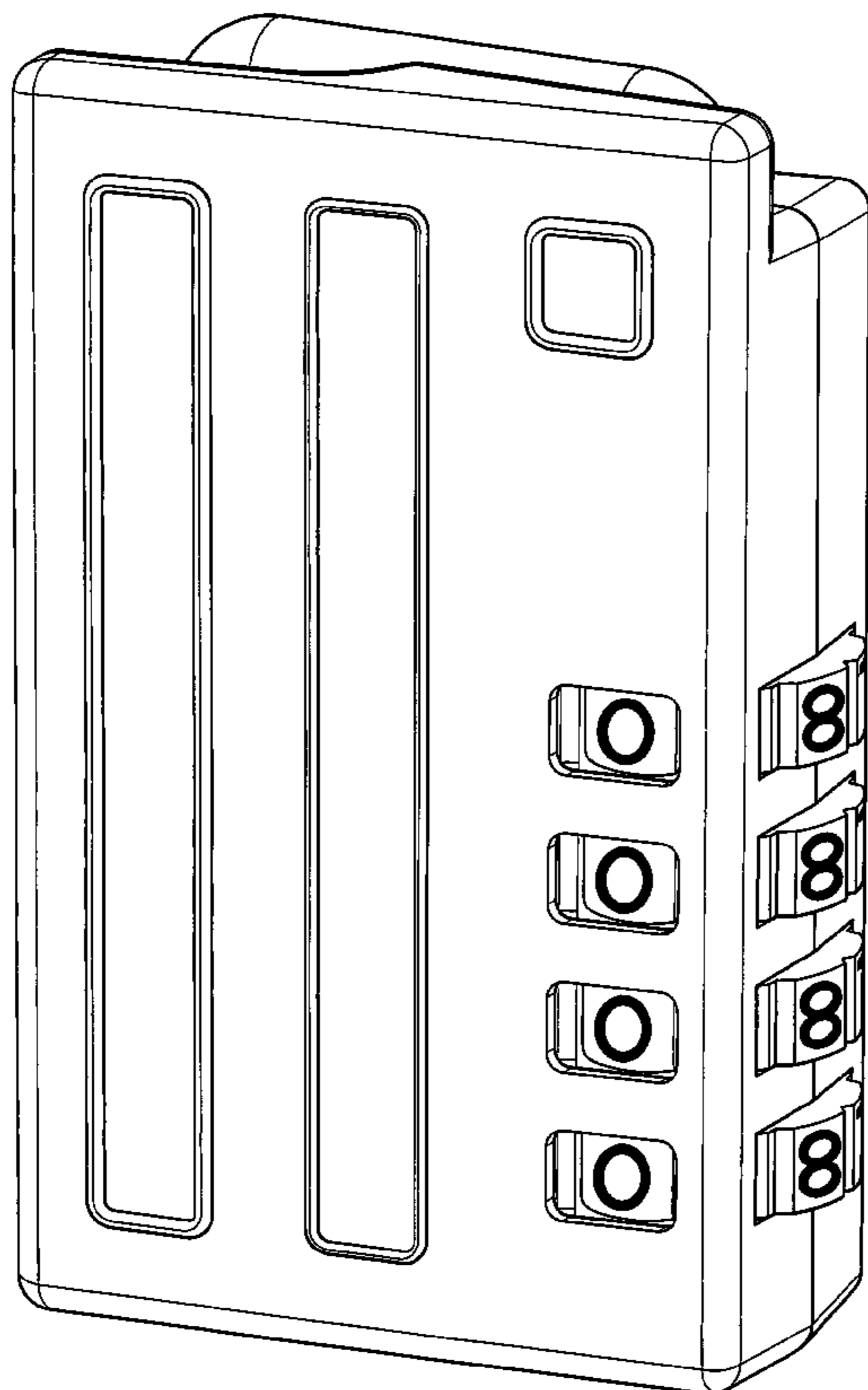
(57) **CLAIM**

The ornamental design for a padlock, as shown and described.

DESCRIPTION

FIG. 1 is a front perspective view of a padlock, in a closed configuration, showing my new design; FIG. 2 is a front view thereof; FIG. 3 is a rear view thereof; FIG. 4 is a left side view thereof; FIG. 5 is a right side view thereof; FIG. 6 is a top view thereof; FIG. 7 is a bottom view thereof; FIG. 8 is a rear perspective view thereof; and, FIG. 9 is a further rear perspective view of the padlock in an open configuration.

1 Claim, 8 Drawing Sheets



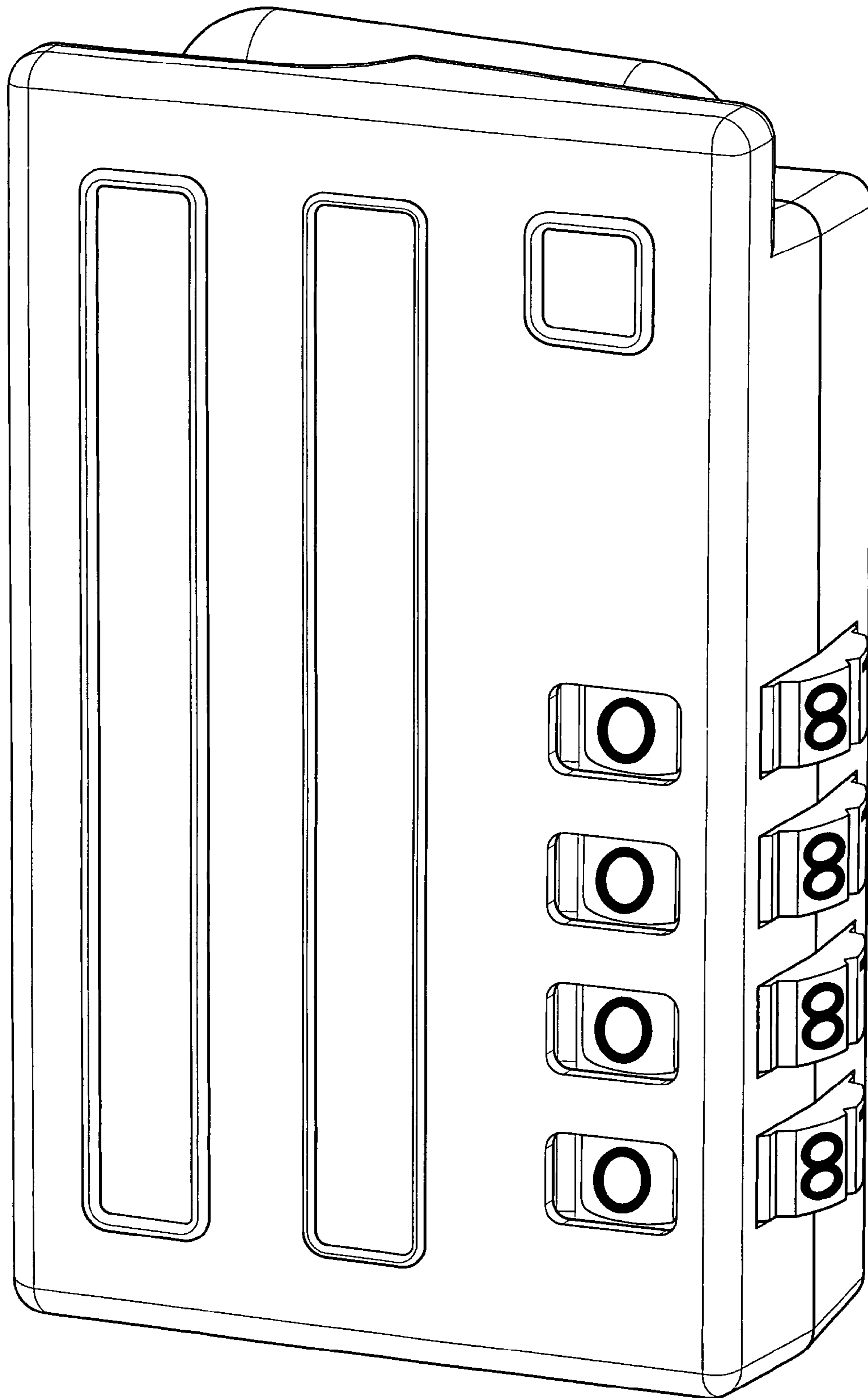


Fig. 1

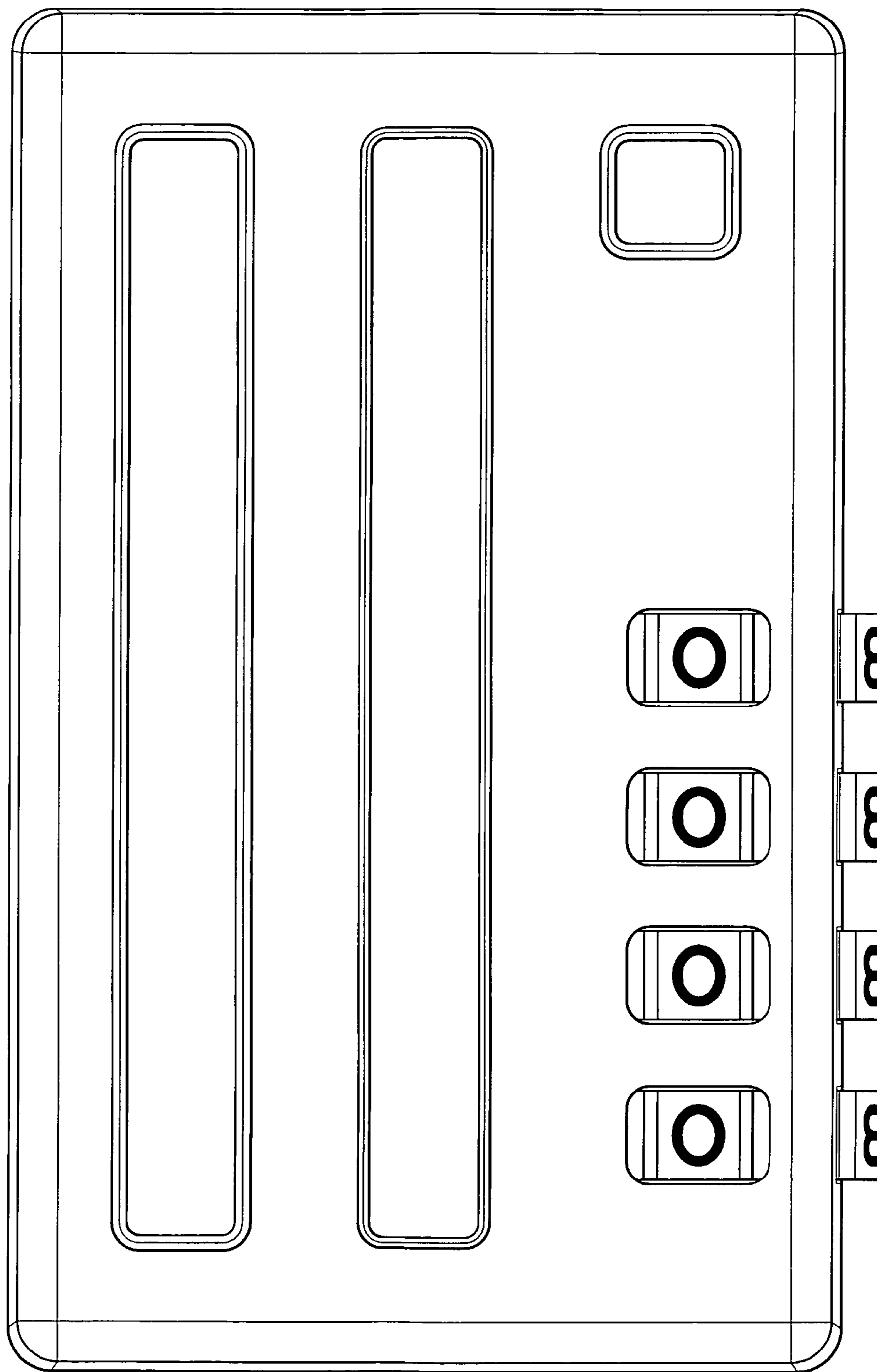


Fig. 2

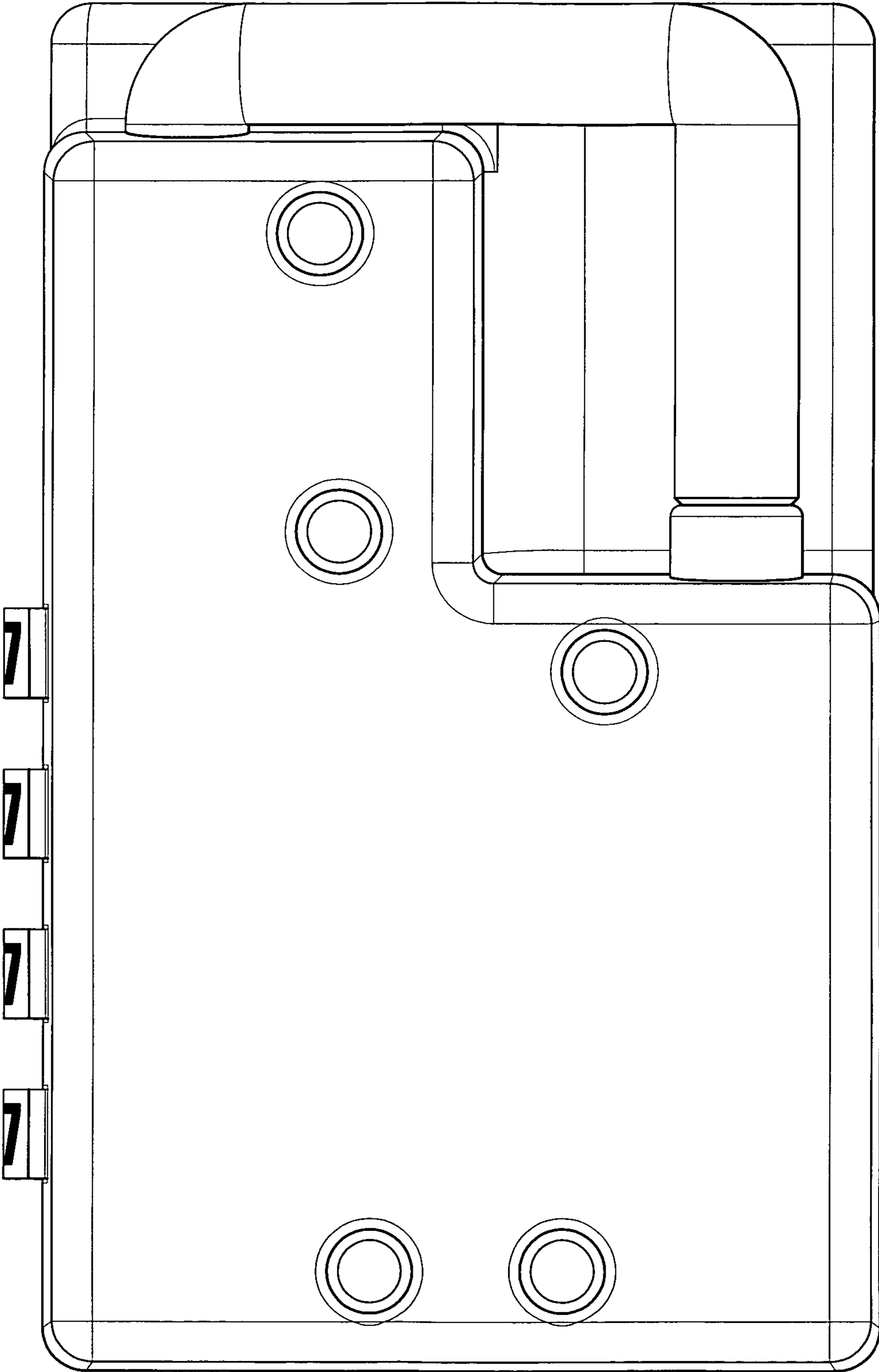


Fig. 3

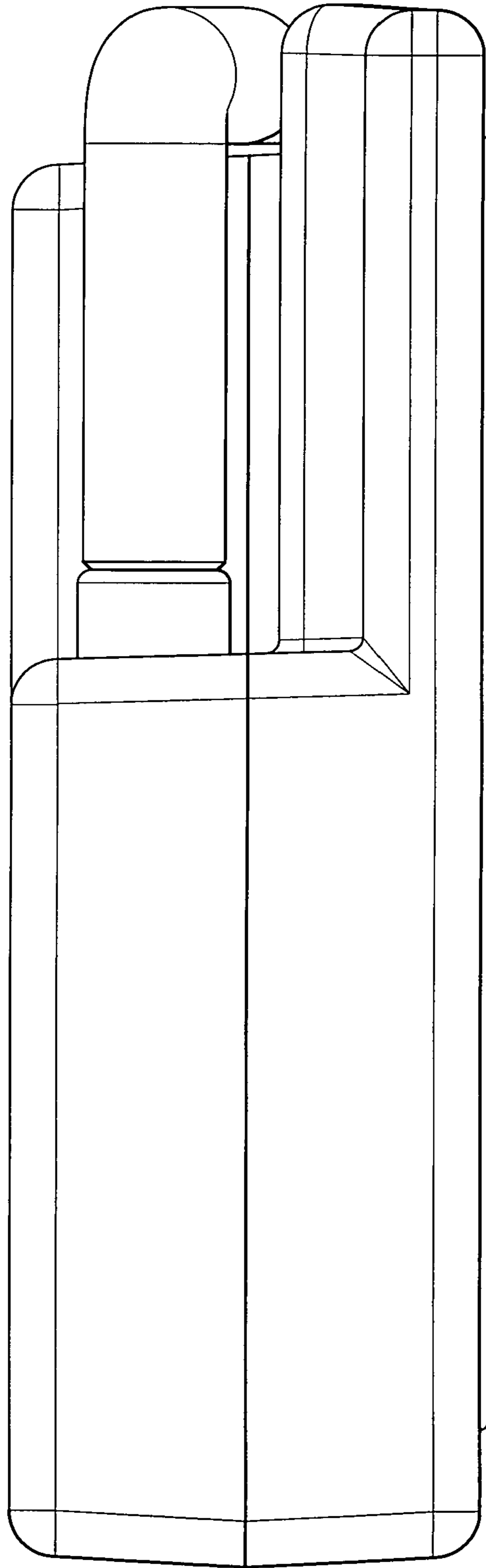


Fig. 4

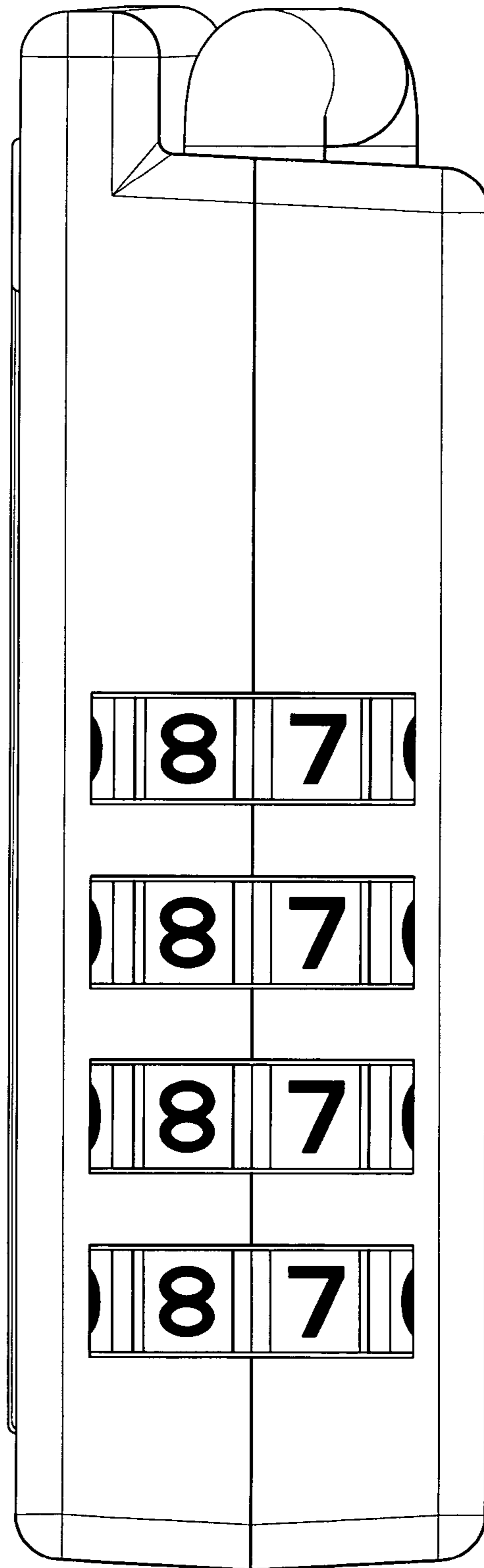


Fig. 5

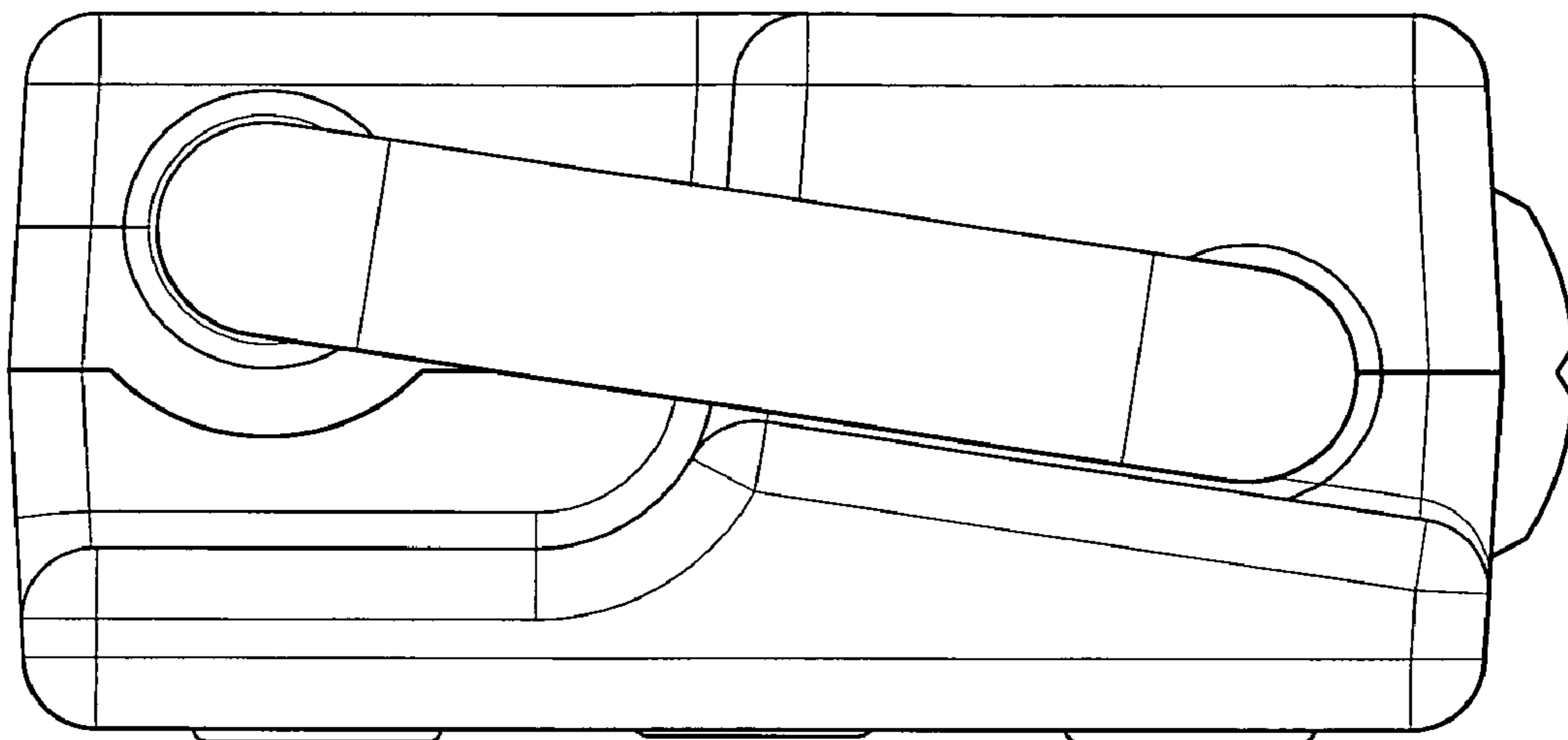


Fig. 6

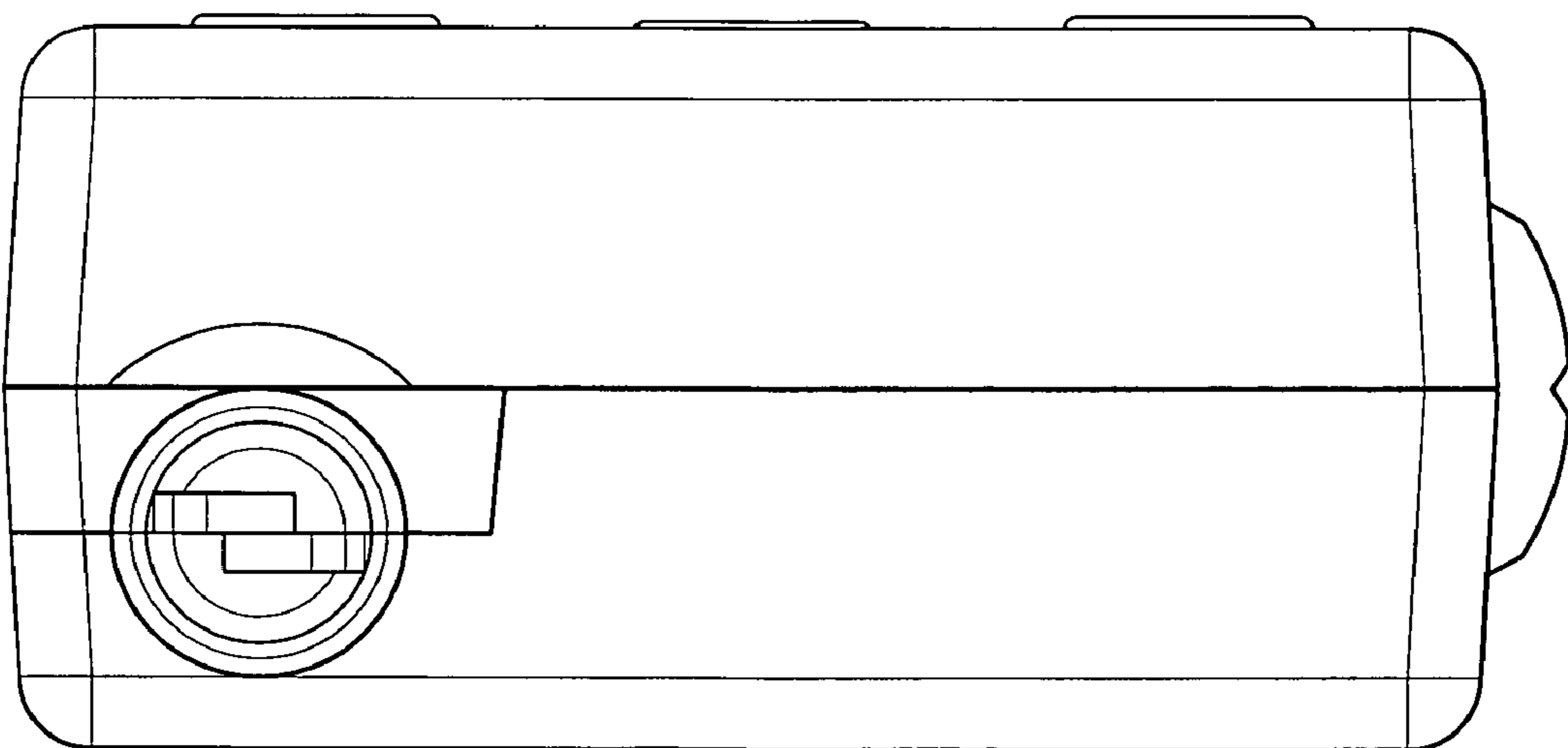


Fig. 7

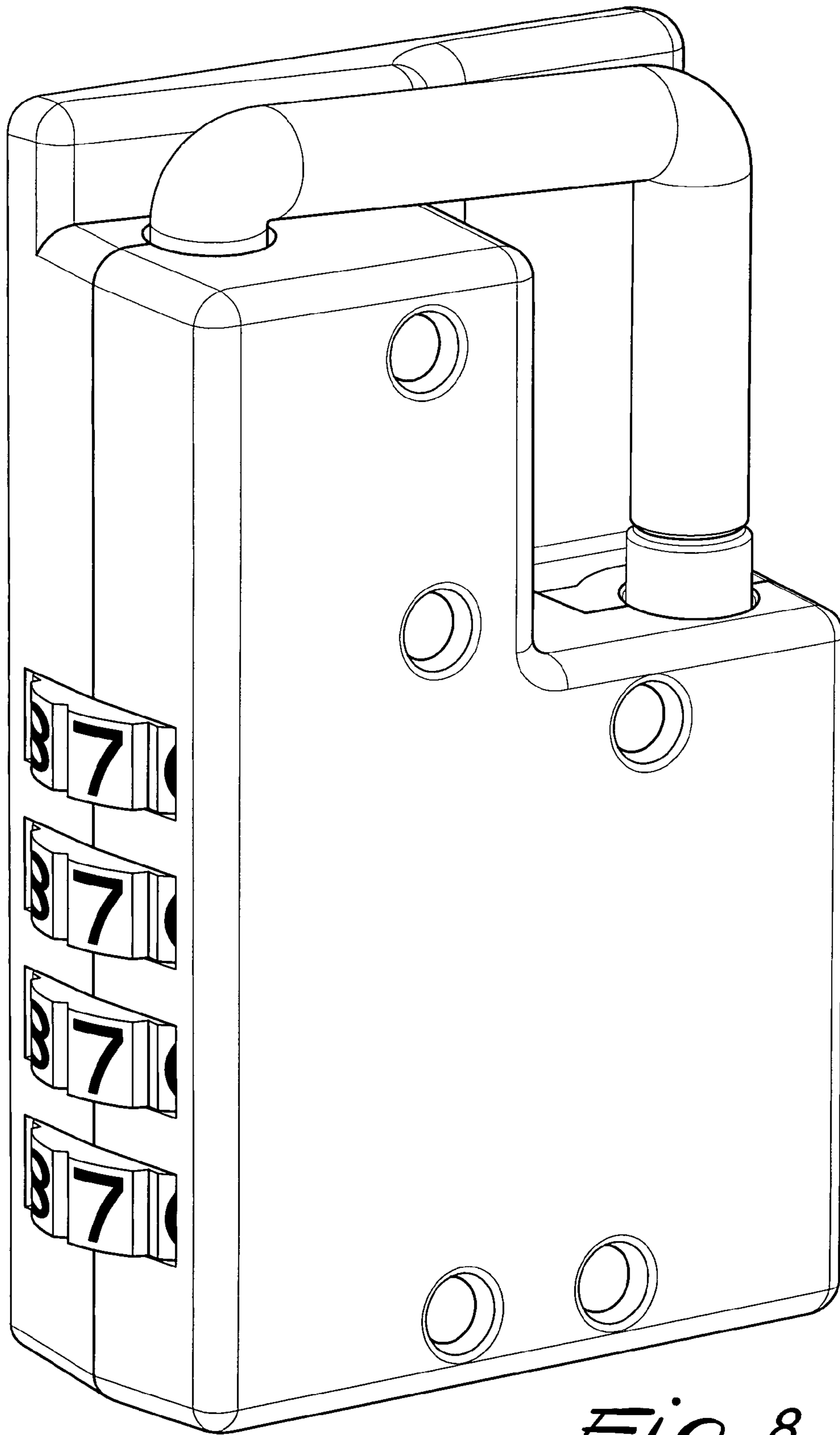


Fig. 8

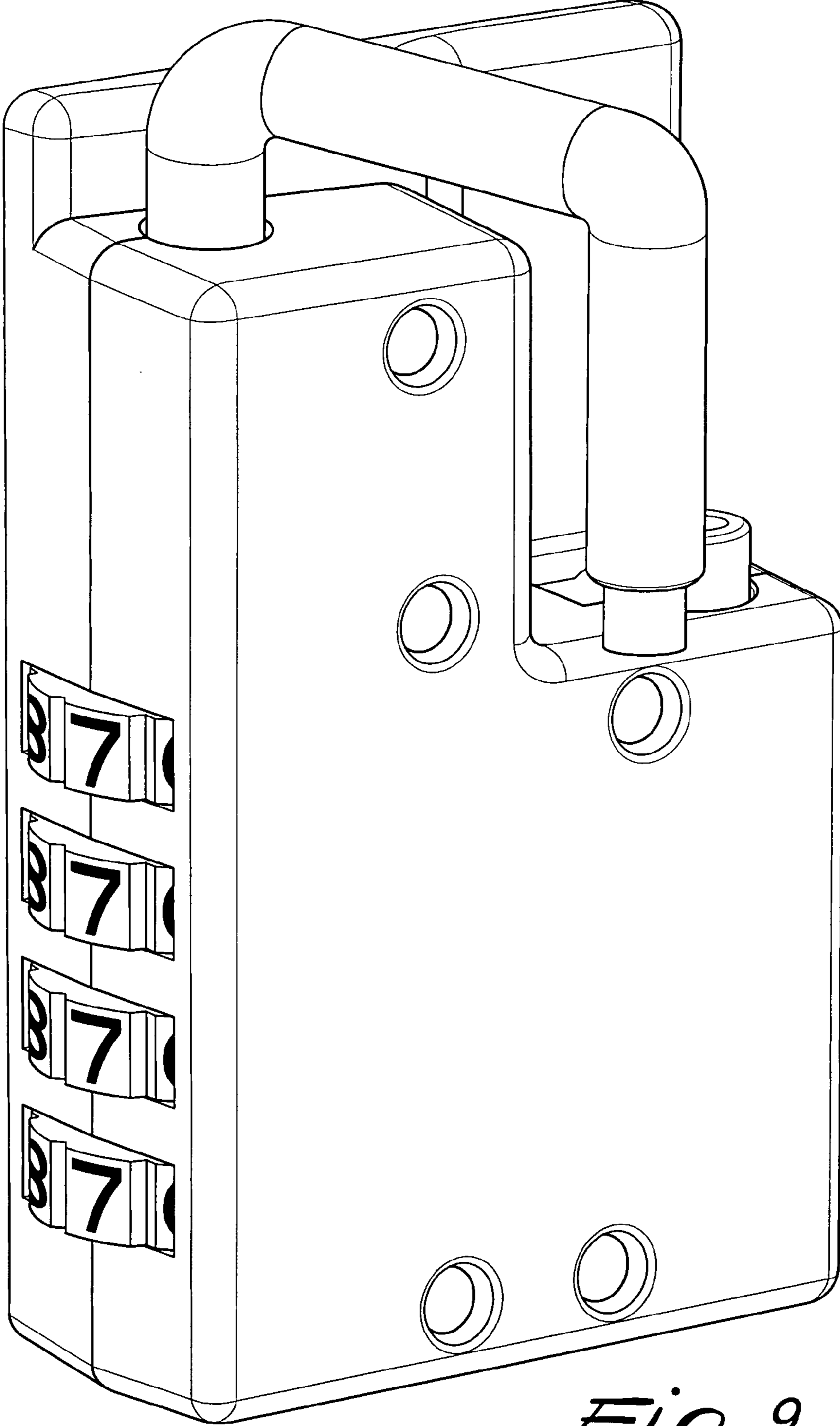


Fig. 9