



US00D662392S

(12) **United States Design Patent**
Main

(10) **Patent No.:** **US D662,392 S**
(45) **Date of Patent:** **** Jun. 26, 2012**

- (54) **LOCK UNIT FOR A TRAILER PINTLE**
- (76) Inventor: **Eugene W. Main**, Middleboro, MA (US)
- (**) Term: **14 Years**
- (21) Appl. No.: **29/401,519**
- (22) Filed: **Sep. 12, 2011**
- (51) **LOC (9) Cl.** **08-07**
- (52) **U.S. Cl.** **D8/331; D8/330**
- (58) **Field of Classification Search** D8/330,
D8/331, 333, 336, 343, 346, 349, 302; 70/14,
70/20, 2, 51-56, 57, 57.1, 141, 142, 224,
70/237, 266, 431, DIG. 9, DIG. 4, DIG. 26,
70/DIG. 80; 292/2, 32, 281, 288, 289, 358,
292/359, DIG. 5

See application file for complete search history.

(56) **References Cited**

U.S. PATENT DOCUMENTS

1,577,292	A *	3/1926	Obreiter	70/258
2,571,349	A *	10/1951	Eckles	70/14
4,082,311	A *	4/1978	Hamman	280/507
4,313,321	A *	2/1982	Wasser	70/159
4,380,160	A *	4/1983	Hoffman	70/14
D281,220	S *	11/1985	Lassiter	D8/331
4,721,324	A	1/1988	Blacklaw	
4,758,015	A *	7/1988	Pixley	280/504
D297,706	S *	9/1988	Falk	D8/331
4,774,823	A	10/1988	Callison	
4,896,518	A *	1/1990	Appelgren	70/54
D306,128	S *	2/1990	Bobrowski et al.	D8/338

D311,324	S *	10/1990	Weinerman et al.	D8/344
4,989,892	A	2/1991	Kerins et al.	
5,033,764	A	7/1991	Blacklaw	
5,119,649	A *	6/1992	Spence	70/14
D506,121	S *	6/2005	Falconer et al.	D8/331
7,264,261	B2	9/2007	Konsela	

* cited by examiner

Primary Examiner — Prabhakar Deshmukh

(74) *Attorney, Agent, or Firm* — RG Patent Consulting LLC

(57) **CLAIM**

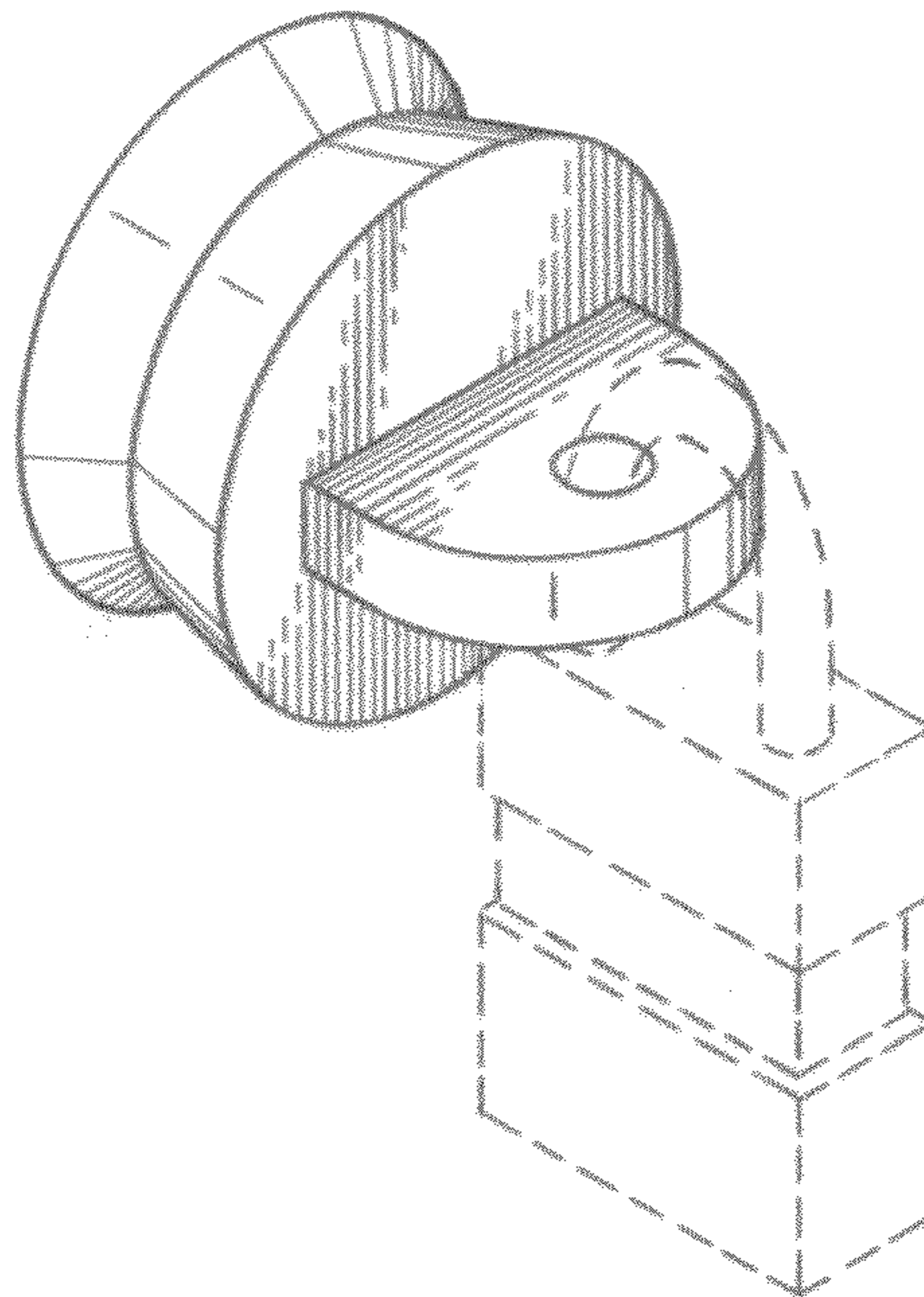
I claim the ornamental design for a lock unit for a trailer pintle, as shown and described.

DESCRIPTION

FIG. 1 is an exploded perspective view of a lock unit for a trailer pintle showing my new design;
 FIG. 2 is a front elevational view thereof;
 FIG. 3 is rear elevational view thereof;
 FIG. 4 is a right side elevational view thereof, the left side elevational view being a mirror image thereof;
 FIG. 5 is a top plan view thereof, the bottom plan view being a mirror image thereof; and,
 FIG. 6 is a perspective view thereof, with article shown in its environmental use.

The broken lines environment is for illustrative purpose only and forms no part of the claimed design. FIGS. 2-6 disclose the article in an assembled condition.

1 Claim, 4 Drawing Sheets



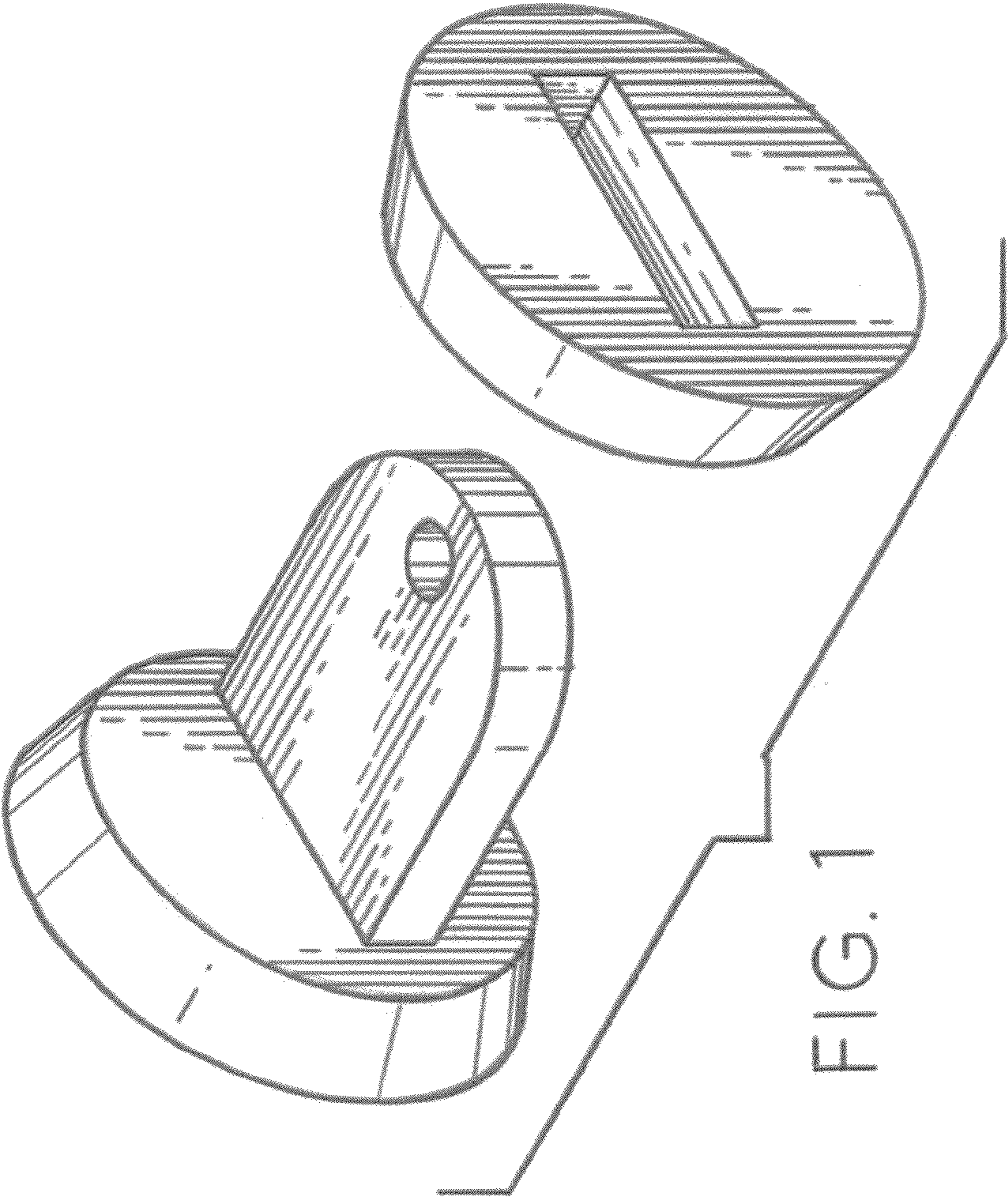


FIG. 1

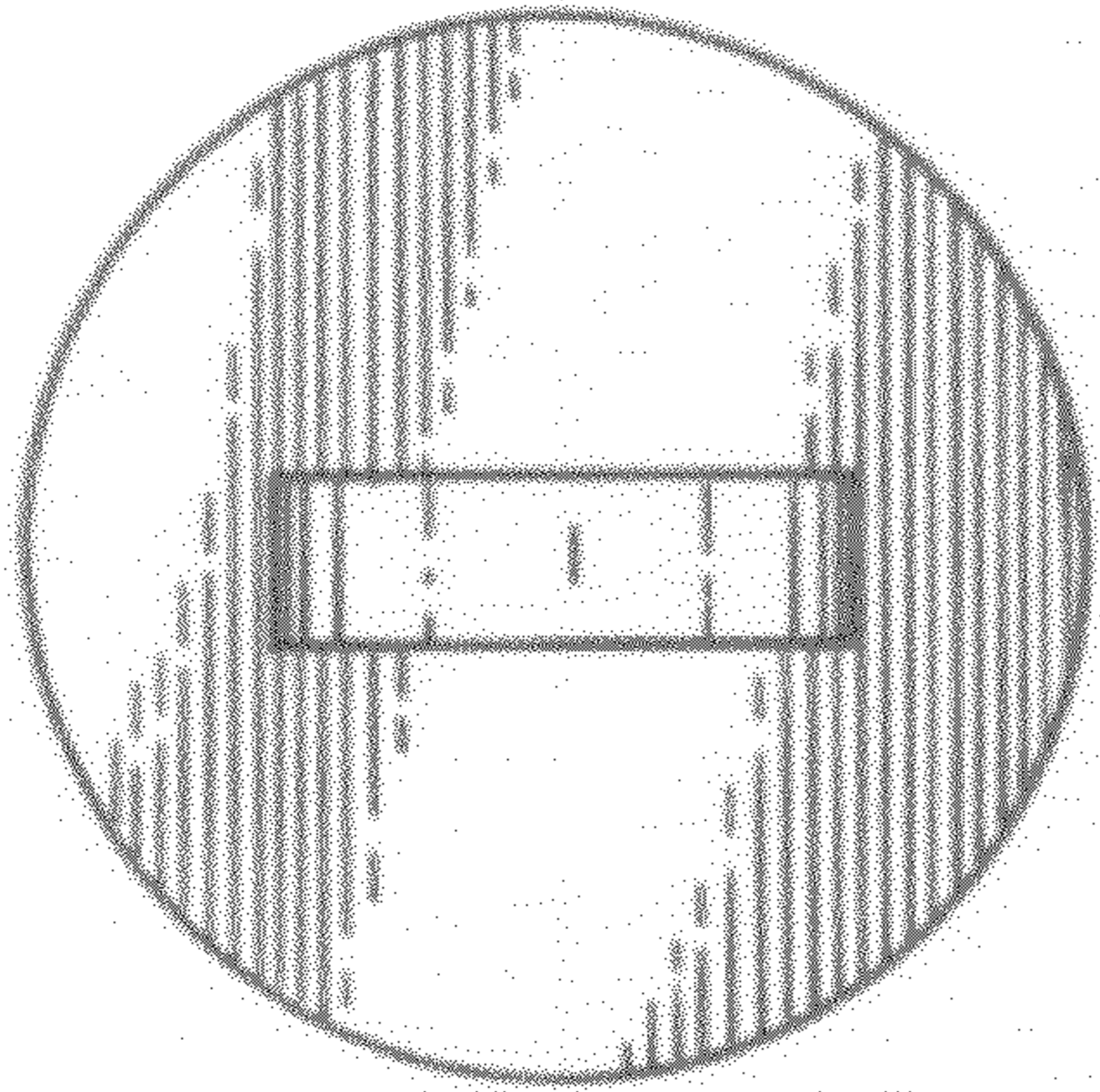


FIG. 2

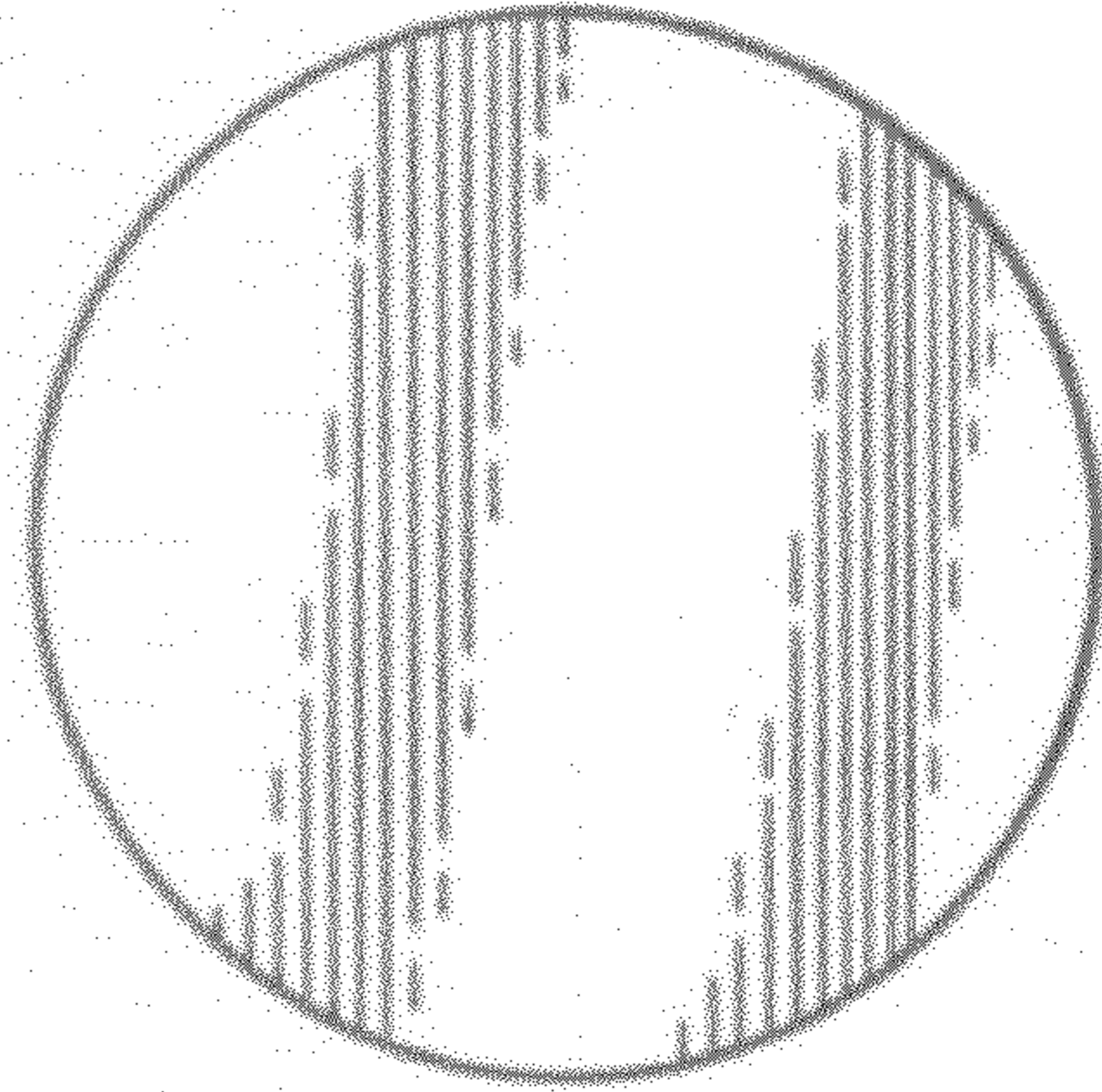


FIG. 3

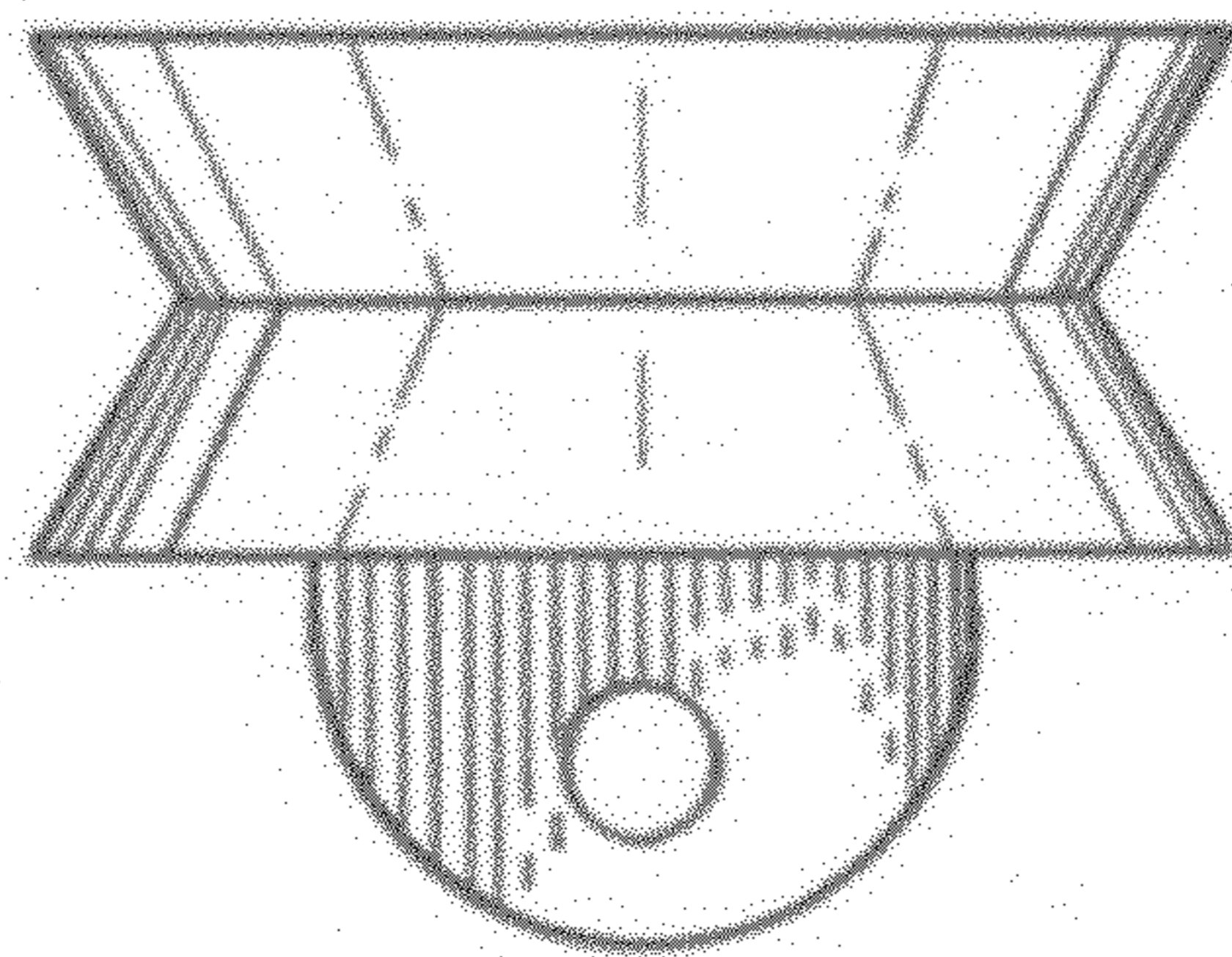


FIG. 4

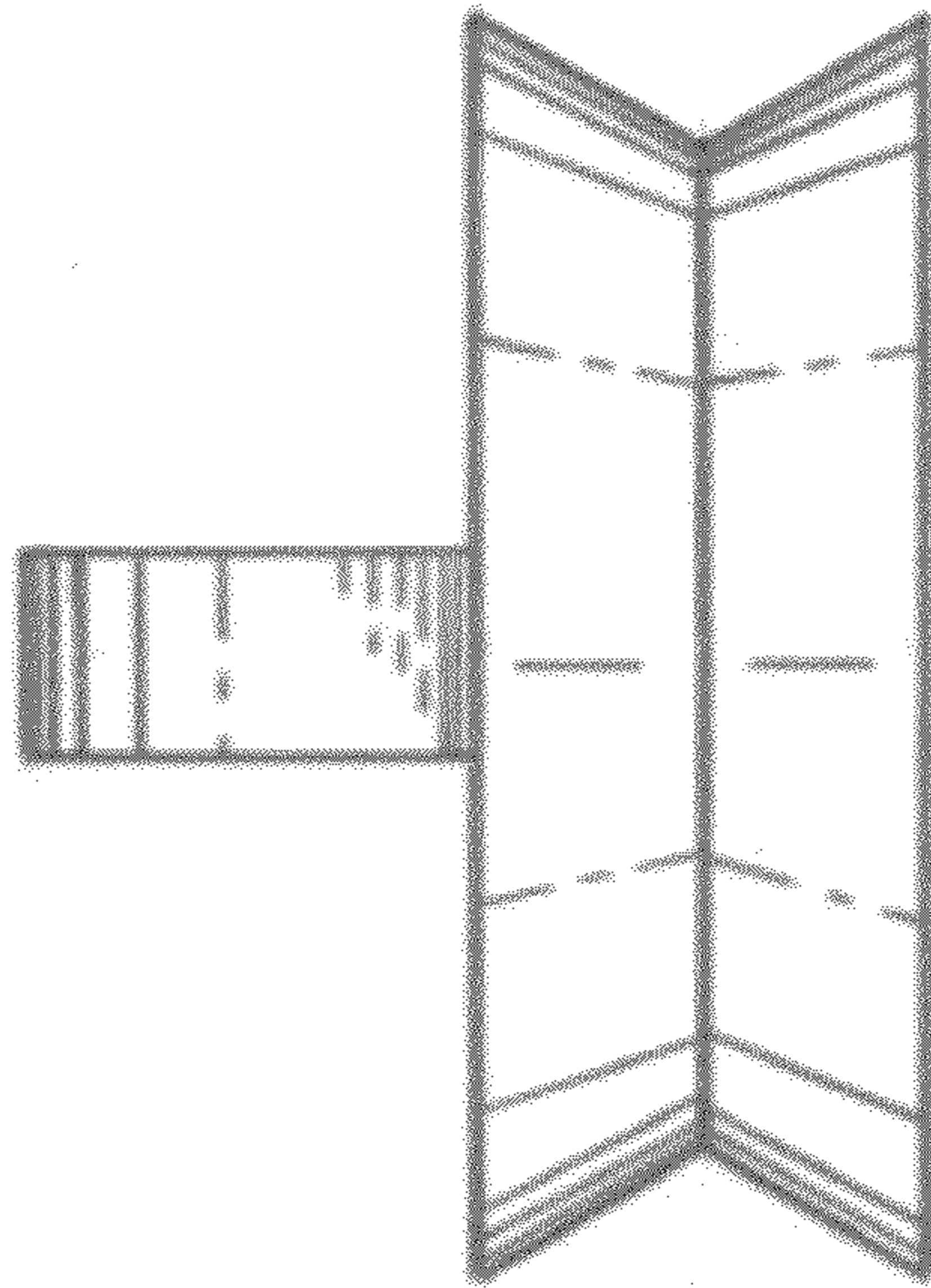


FIG. 5

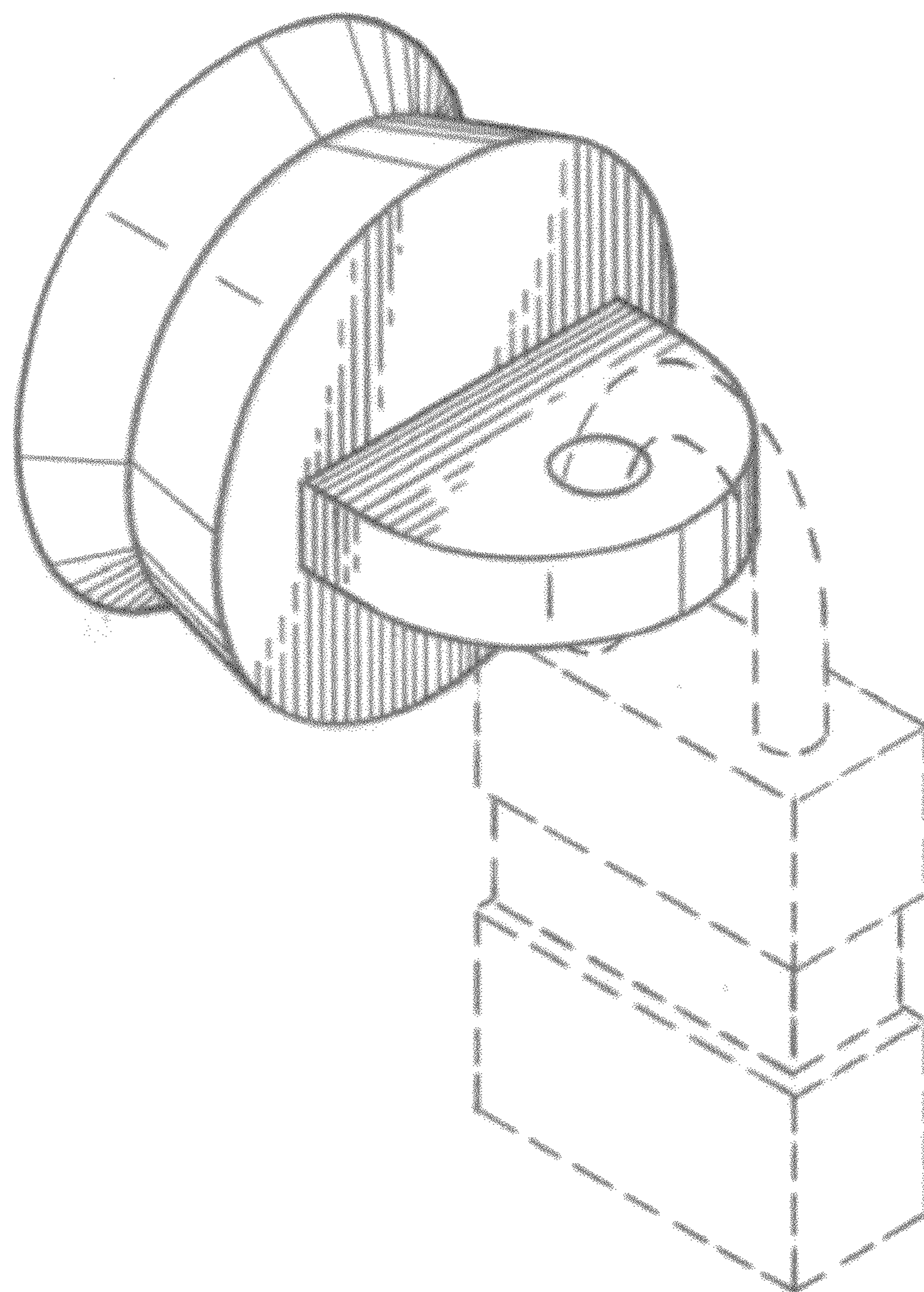


FIG. 6