



US00D662384S

(12) **United States Design Patent**  
**Jonsson et al.**

(10) **Patent No.:** **US D662,384 S**  
(45) **Date of Patent:** **\*\* Jun. 26, 2012**

(54) **HAND TOOL FOR INSTALLING PIPE AND HOSE CLAMPS**

(75) Inventors: **Tom Ossian Jonsson**, Skaelskor (DK);  
**Brian Rise Hamann Jensen**, Skaelskor (DK)

(73) Assignee: **SMCP ApS** (DK)

(\*\*) Term: **14 Years**

(21) Appl. No.: **29/353,474**

(22) Filed: **Jan. 8, 2010**

(30) **Foreign Application Priority Data**

Jul. 8, 2009 (EM) ..... 001574591-0001  
Jul. 8, 2009 (EM) ..... 001574591-0002

(51) **LOC (9) Cl.** ..... **08-05**

(52) **U.S. Cl.** ..... **D8/51; D8/14**

(58) **Field of Classification Search** ..... D8/1, 4,  
D8/5, 14, 21, 26, 33, 34, 40, 70, 71, 51-58,  
D8/60, 105-107; 52/586.1, 586.2, 745.21,  
52/749.1

See application file for complete search history.

(56) **References Cited**

**U.S. PATENT DOCUMENTS**

3,624,876 A \* 12/1971 Irvin ..... 29/267  
D248,536 S \* 7/1978 Domasin ..... D8/21  
D364,542 S \* 11/1995 Pollard ..... D8/14  
5,598,682 A \* 2/1997 Haughian ..... 52/745.21  
D386,656 S \* 11/1997 Kyser ..... D8/21  
D395,214 S \* 6/1998 Murphy, Jr. .... D8/21

D404,632 S \* 1/1999 Reynolds et al. .... D8/107  
D406,518 S \* 3/1999 Yenkala ..... D8/106  
D480,933 S \* 10/2003 Wendt ..... D8/21  
D501,633 S \* 2/2005 Kruepke ..... D8/107  
6,922,920 B1 \* 8/2005 Stratz ..... 37/197  
D579,290 S \* 10/2008 Brooke ..... D8/14  
D623,910 S \* 9/2010 Botkin ..... D8/14  
D625,573 S \* 10/2010 Bonzer ..... D8/107

\* cited by examiner

*Primary Examiner* — Deanna L Fluegeman

(74) *Attorney, Agent, or Firm* — St. Onge Steward Johnston & Reens LLC

(57) **CLAIM**

The ornamental design for a hand tool for installing pipe and hose clamps, as shown and described.

**DESCRIPTION**

FIG. 1 is a front and left side perspective view of a hand tool for installing pipe and hose clamps in accordance with the new design;

FIG. 2 is a left side perspective view thereof;

FIG. 3 is a right side perspective view thereof;

FIG. 4 is a rear perspective view thereof;

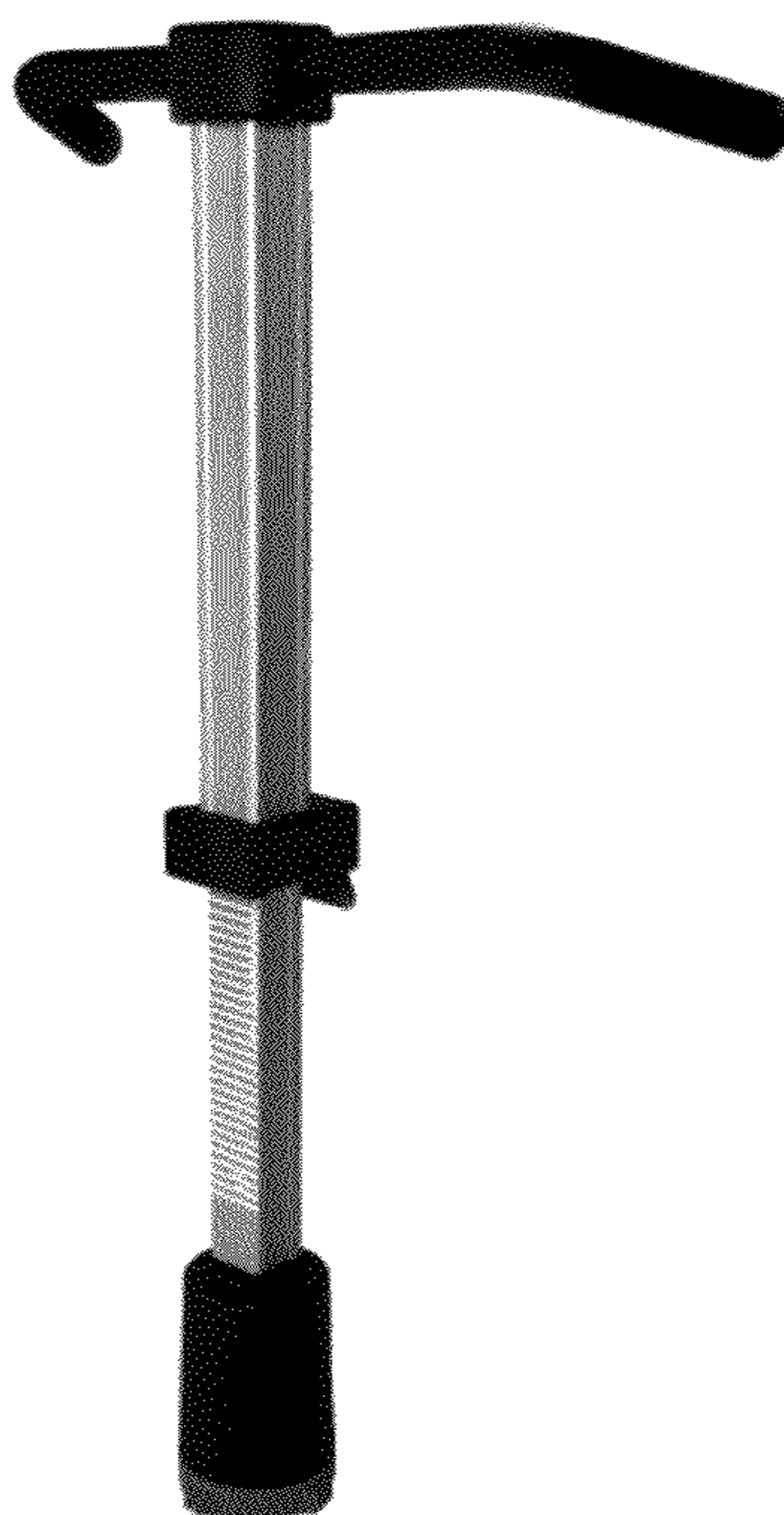
FIG. 5 is a front perspective view thereof;

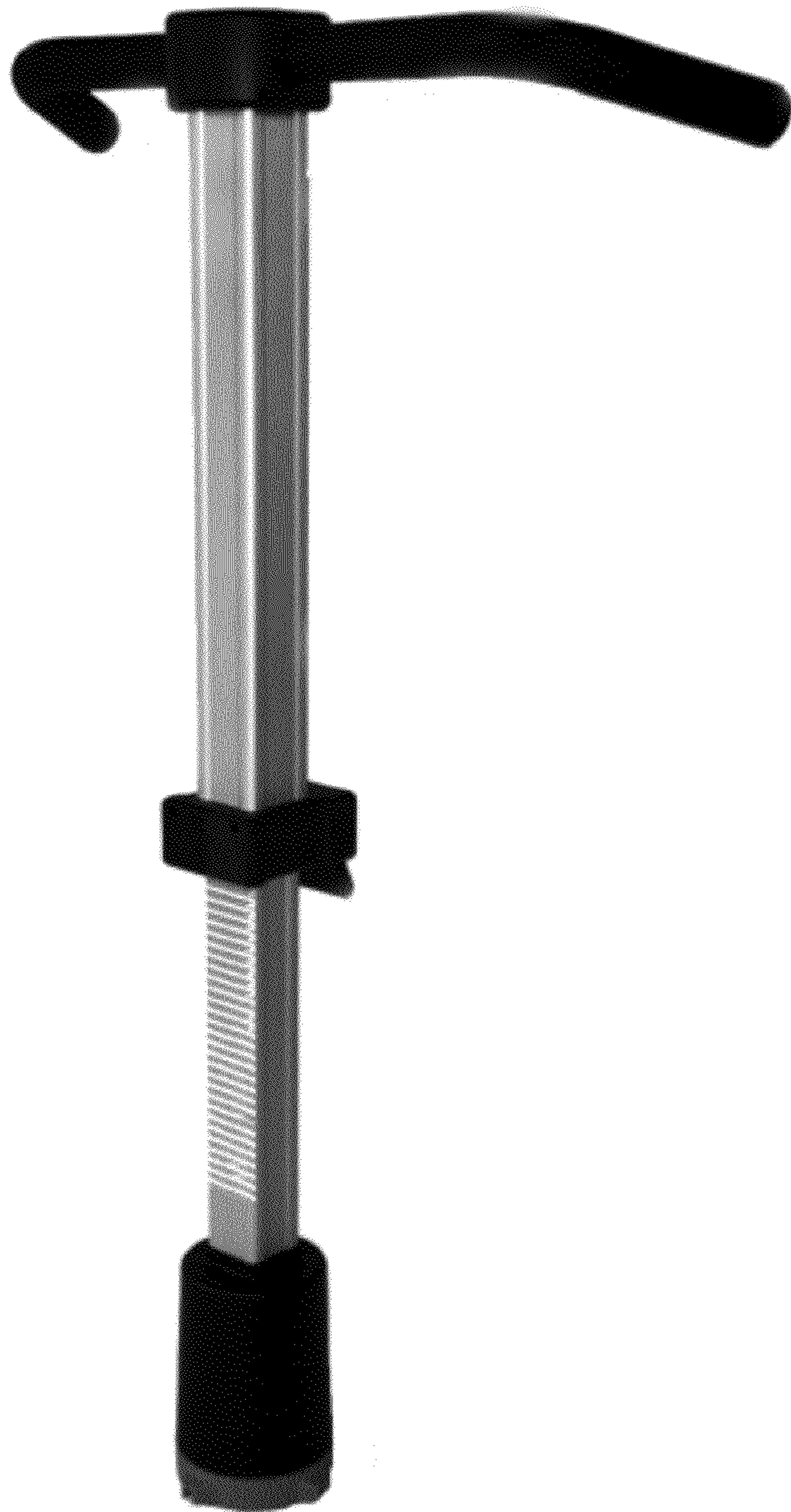
FIG. 6 is a top plan view thereof; and,

FIG. 7 is a bottom plan view thereof.

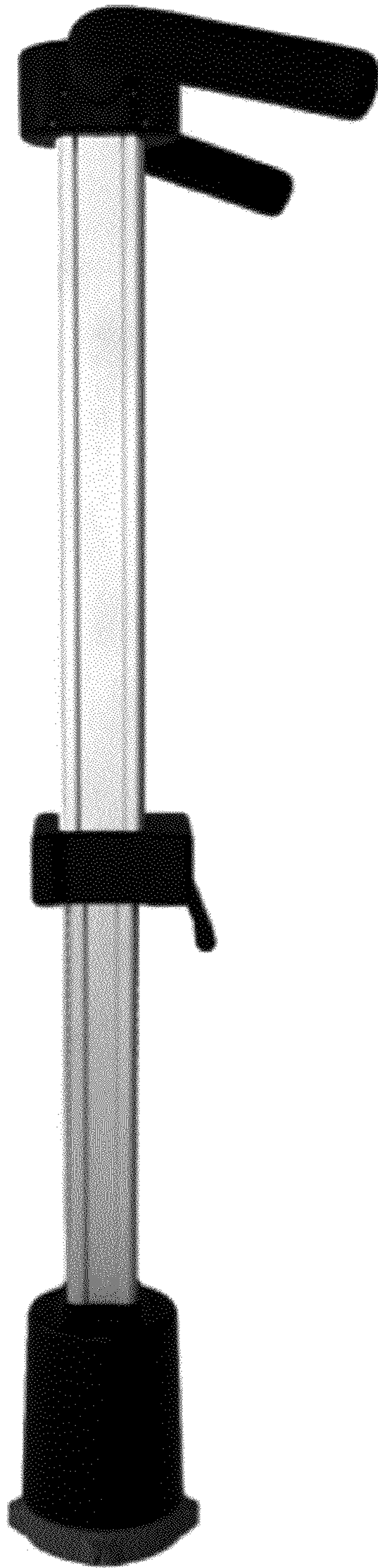
The broken lines of FIGS. 6 and 7 illustrate the bounds of the claimed design. Both the broken line boundary and the area there within form no part of the claimed design.

**1 Claim, 7 Drawing Sheets**

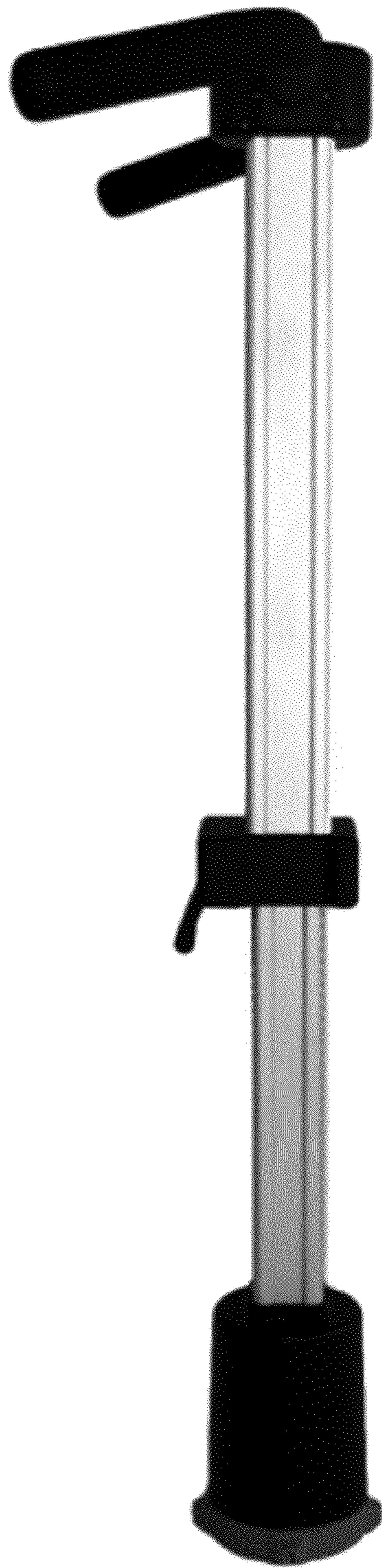




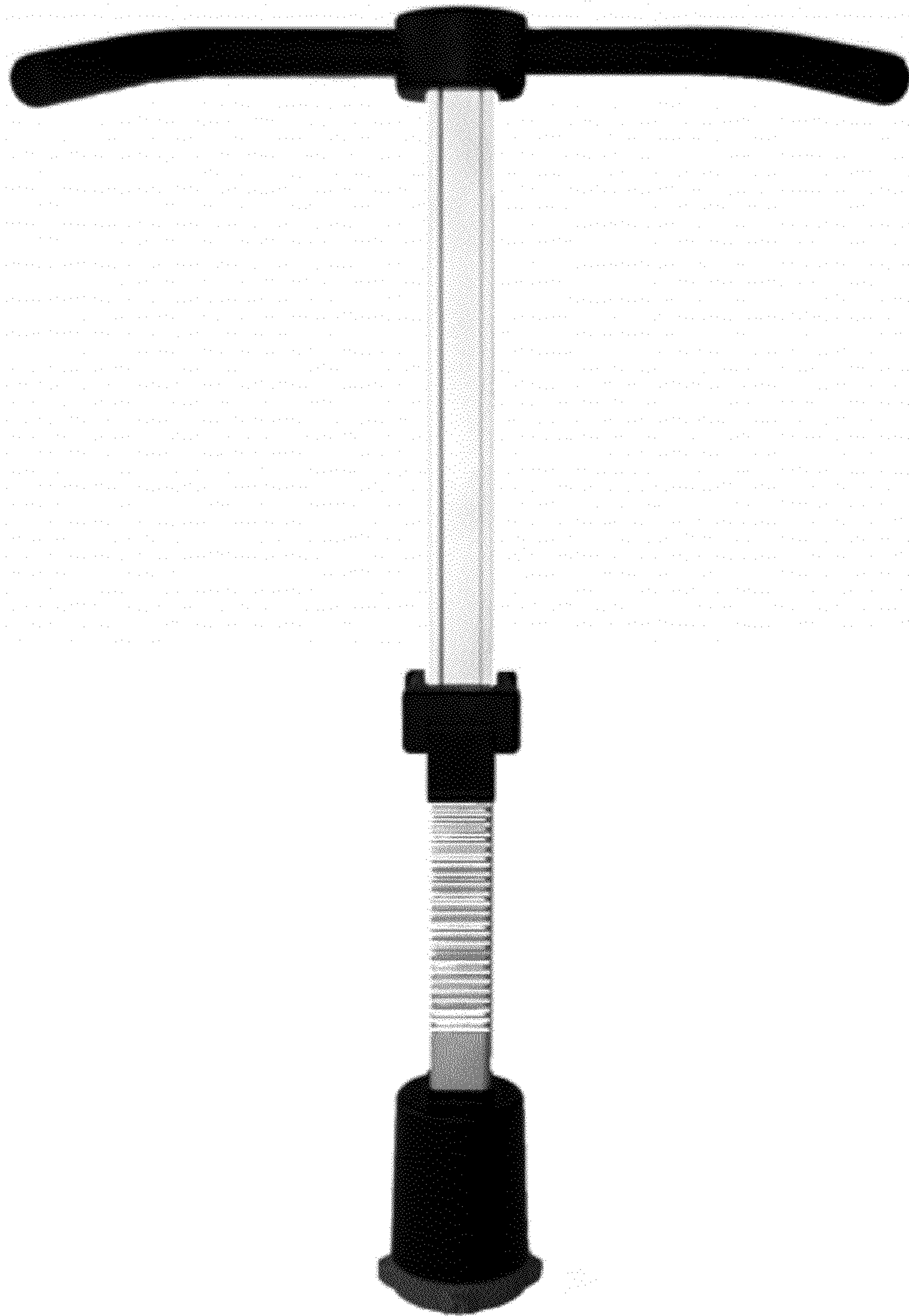
**FIG. 1**



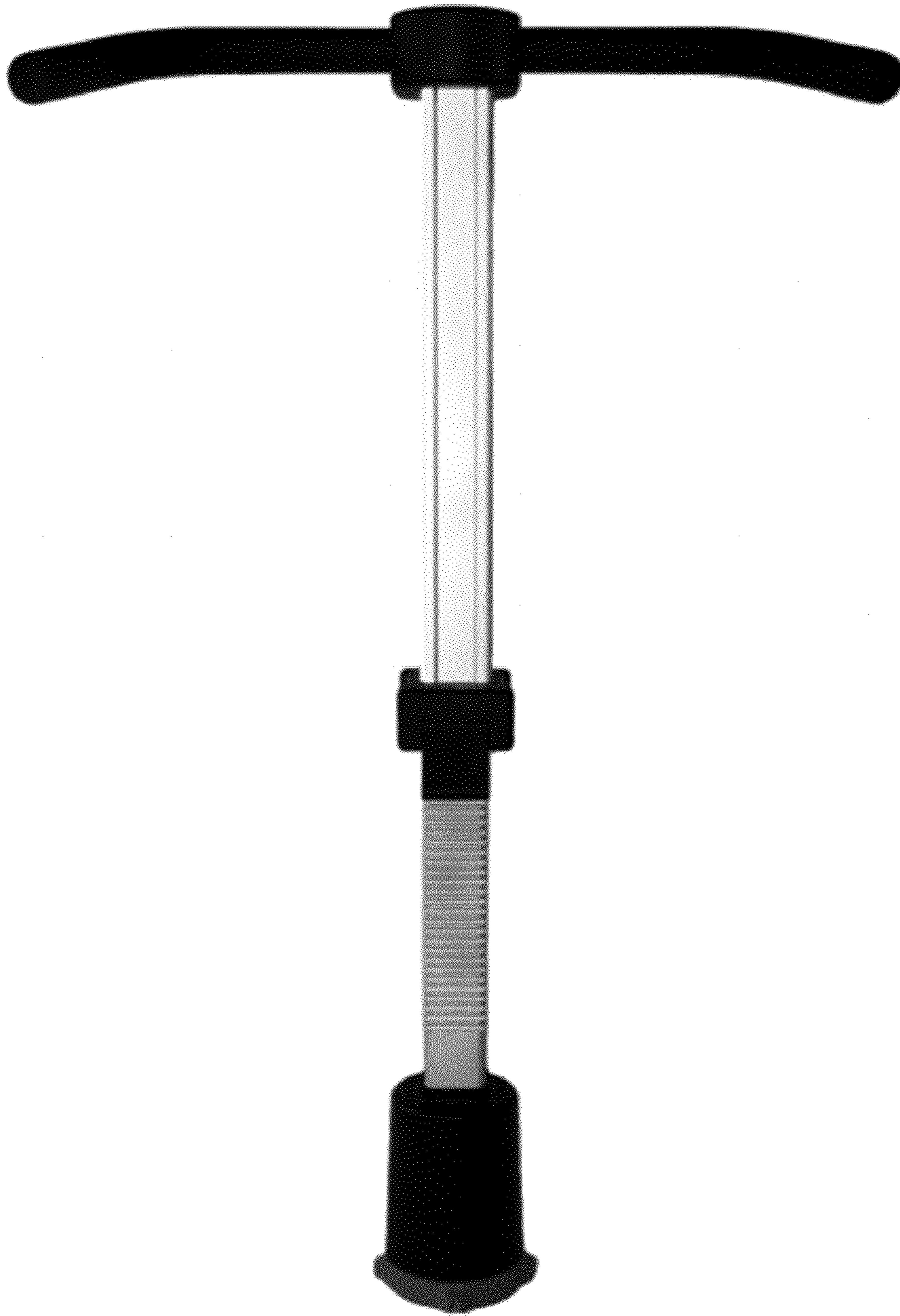
**FIG. 2**



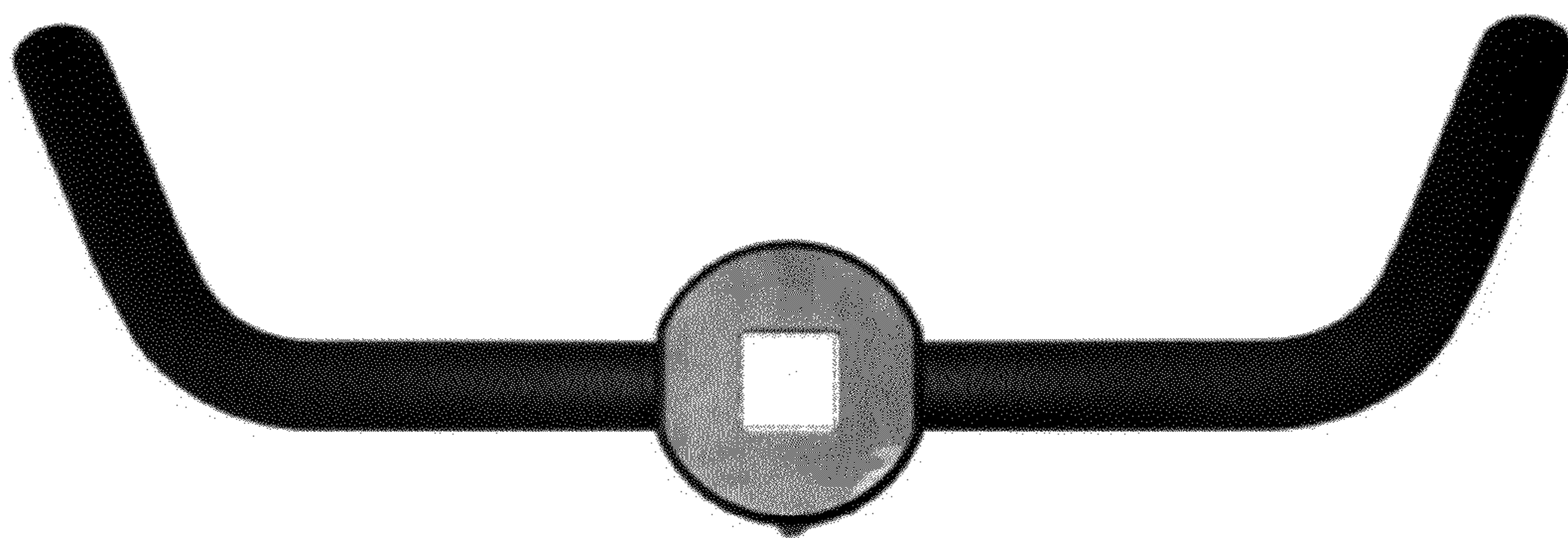
**FIG. 3**



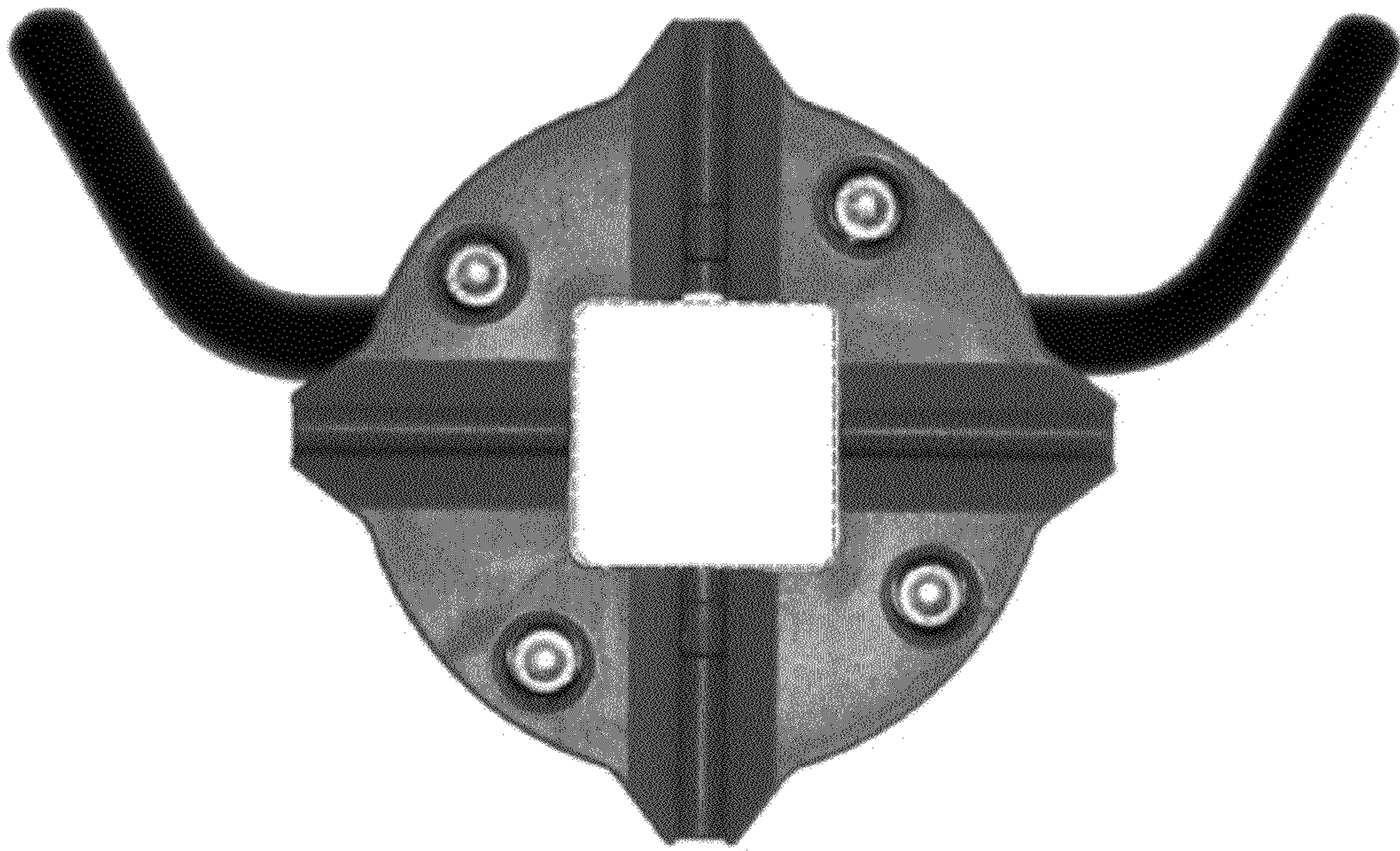
**FIG. 4**



**FIG. 5**



**FIG. 6**



**FIG. 7**