

US00D662383S

(12) **United States Design Patent**
Cizek

(10) **Patent No.:** **US D662,383 S**
(45) **Date of Patent:** **** Jun. 26, 2012**

(54) **BOTTLE HOOK WITH WRENCH AND CAP OPENER**

Primary Examiner — Garth Rademaker

(76) Inventor: **Brian P. Cizek**, Huntington Beach, CA (US)

(57) **CLAIM**
The ornamental design for a bottle hook with wrench and cap opener, as shown.

(**) Term: **14 Years**

(21) Appl. No.: **29/401,961**

DESCRIPTION

(22) Filed: **Sep. 19, 2011**

(51) **LOC (9) Cl.** **07-99**

(52) **U.S. Cl.** **D8/40**

(58) **Field of Classification Search** D8/14,
D8/16-19, 33-43, 88, 89, 105; 7/113, 151-156;
81/3.07, 3.09, 3.2, 3.27, 3.29, 3.31, 3.35,
81/3.37, 3.4, 3.48, 3.49, 3.55

See application file for complete search history.

FIG. 1 is a top and front perspective view of a bottle hook with wrench and cap opener, in accordance with my new design; FIG. 2 is a bottom plan view of the bottle hook with wrench and cap opener shown in FIG. 1; FIG. 3 is a top plan view of the bottle hook with wrench and cap opener shown in FIG. 1; FIG. 4 is a side elevational view of the bottle hook with wrench and cap opener, taken from the right side of FIG. 3; FIG. 5 is a side elevational view of the bottle hook with wrench and cap opener, taken from the left side of FIG. 3; FIG. 6 is a front elevational view of the bottle hook with wrench and cap opener shown in FIG. 1; FIG. 7 is a rear elevational view of the bottle hook with wrench and cap opener shown in FIG. 1; and, FIG. 8 is a top perspective view of the bottle hook with wrench and cap opener shown in FIG. 1. The broken line representation of a bottle and bottle cap in FIG. 8 is shown for illustrative purposes only, and forms no part of the claimed design.

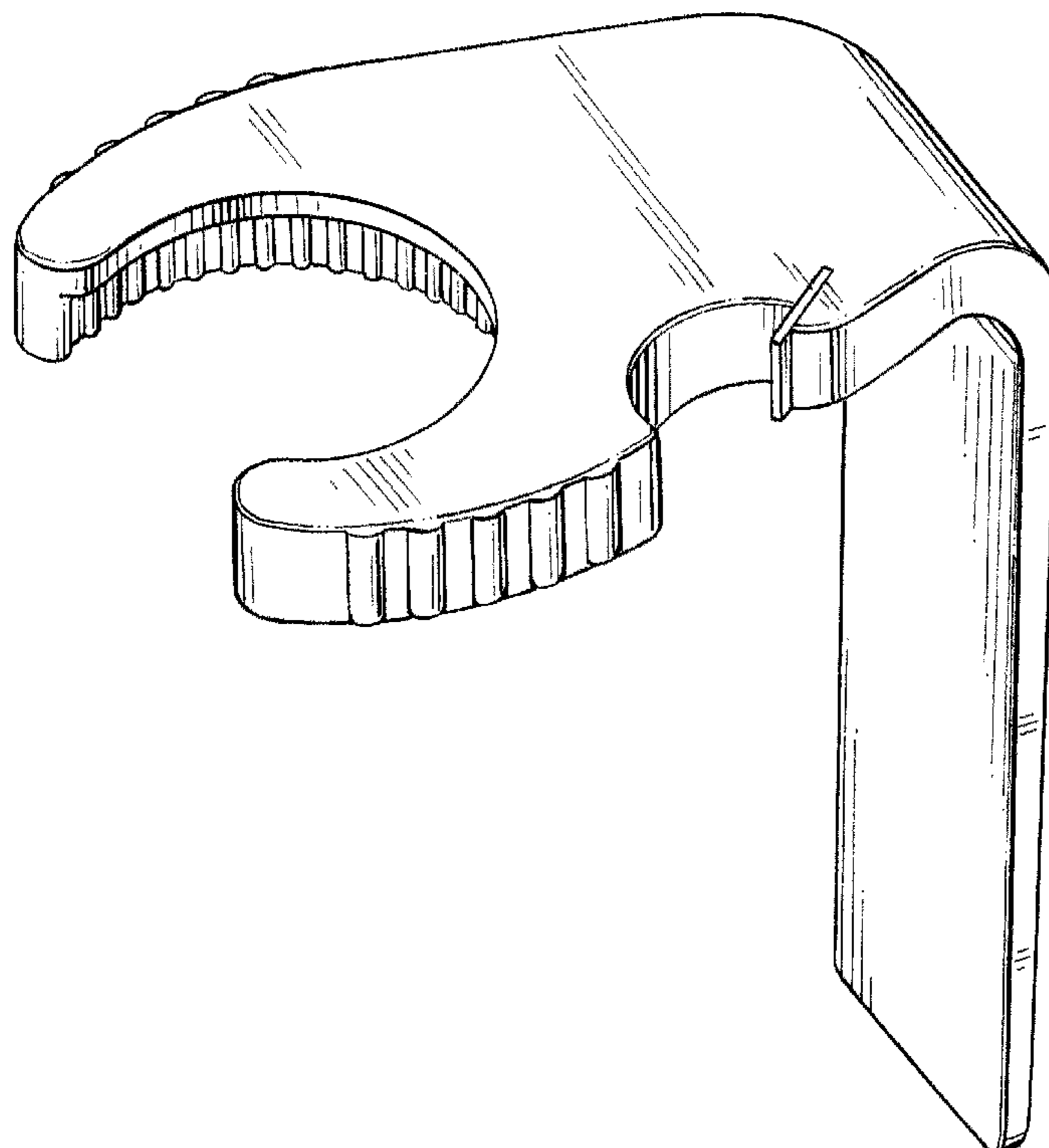
(56) **References Cited**

U.S. PATENT DOCUMENTS

D245,393 S *	8/1977	Madsen et al.	D8/18
D382,453 S *	8/1997	Drinkwater	D8/40
D435,765 S *	1/2001	Owens et al.	D8/28
6,352,235 B2 *	3/2002	Cizek	81/3.09
D458,523 S *	6/2002	Newton, Sr.	D8/17
D460,669 S	7/2002	Cizek	
D461,107 S *	8/2002	Pitt	D8/17
D496,570 S *	9/2004	Wolf	D8/40
D496,584 S *	9/2004	Darr et al.	D8/307
D544,768 S *	6/2007	Book	D8/40

* cited by examiner

1 Claim, 6 Drawing Sheets



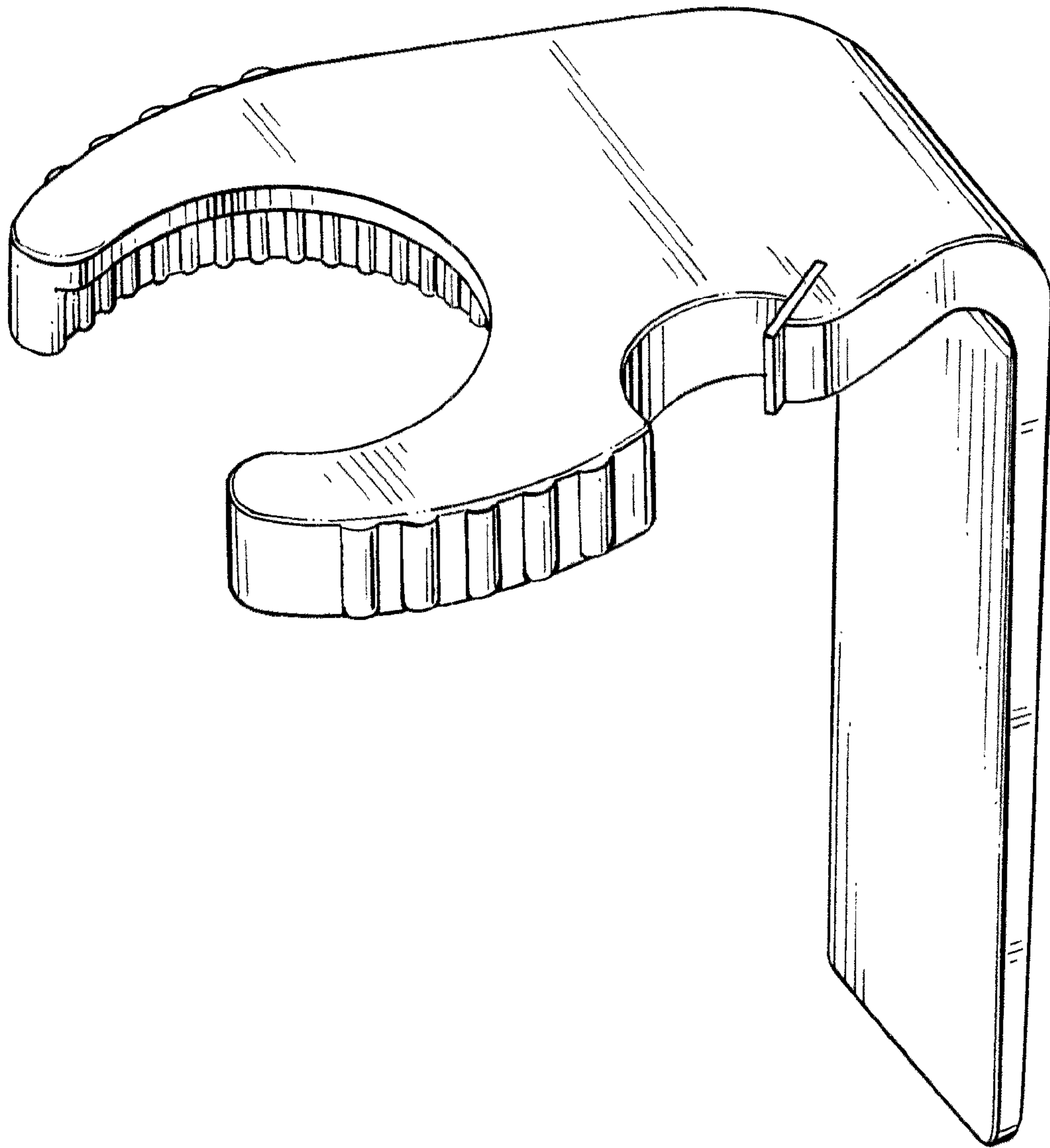


FIG. 1

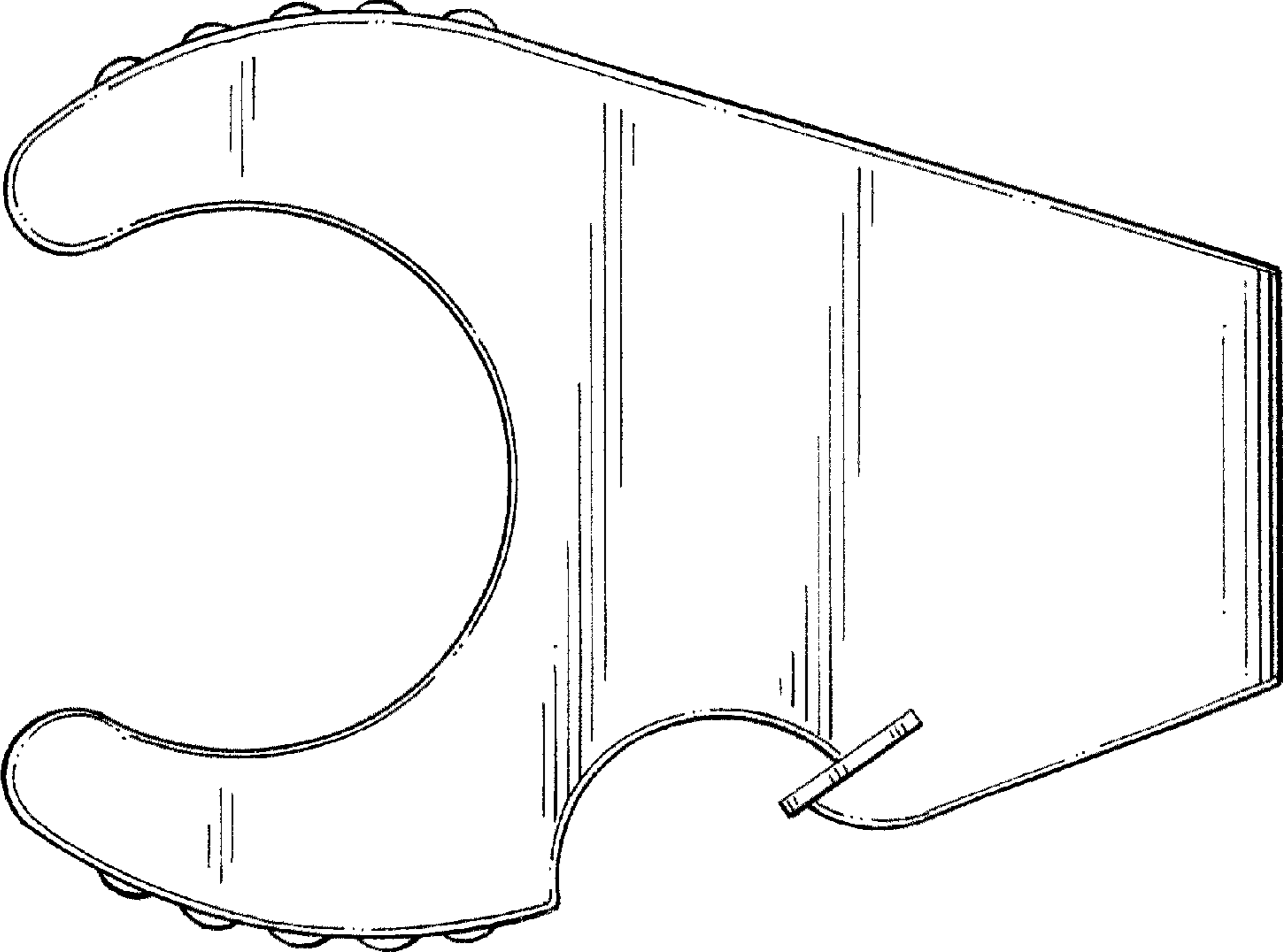


FIG. 3

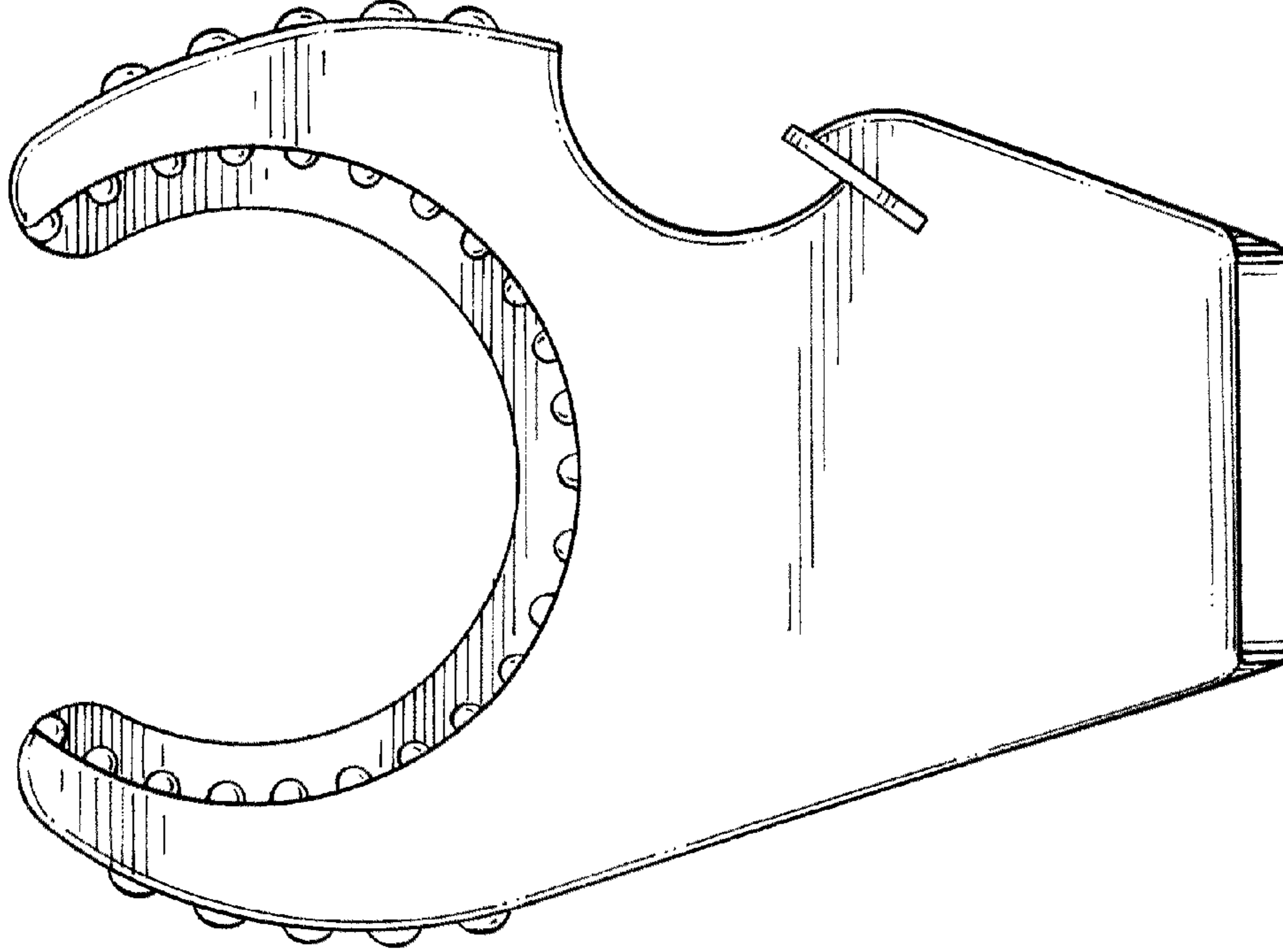


FIG. 2

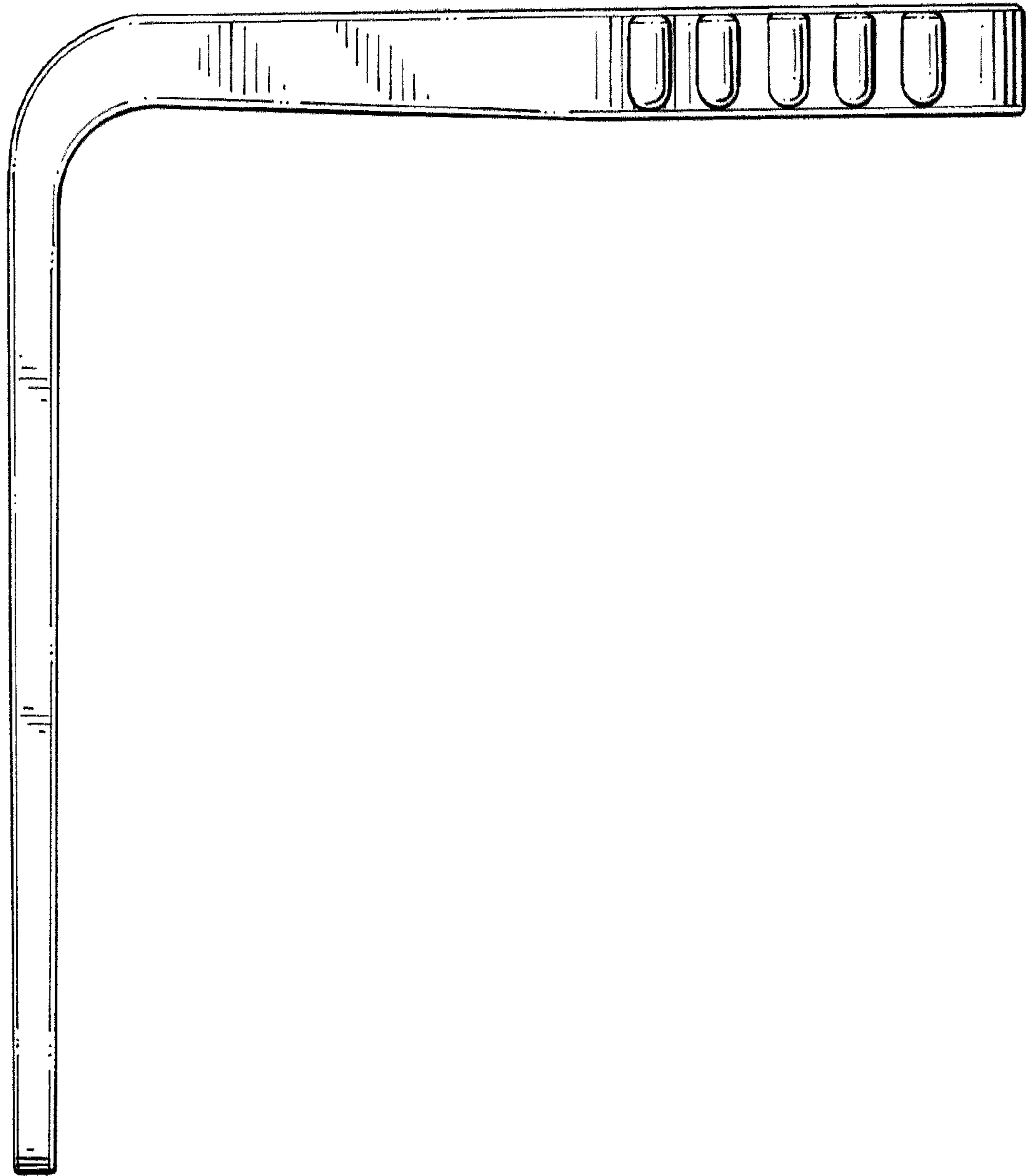


FIG. 4

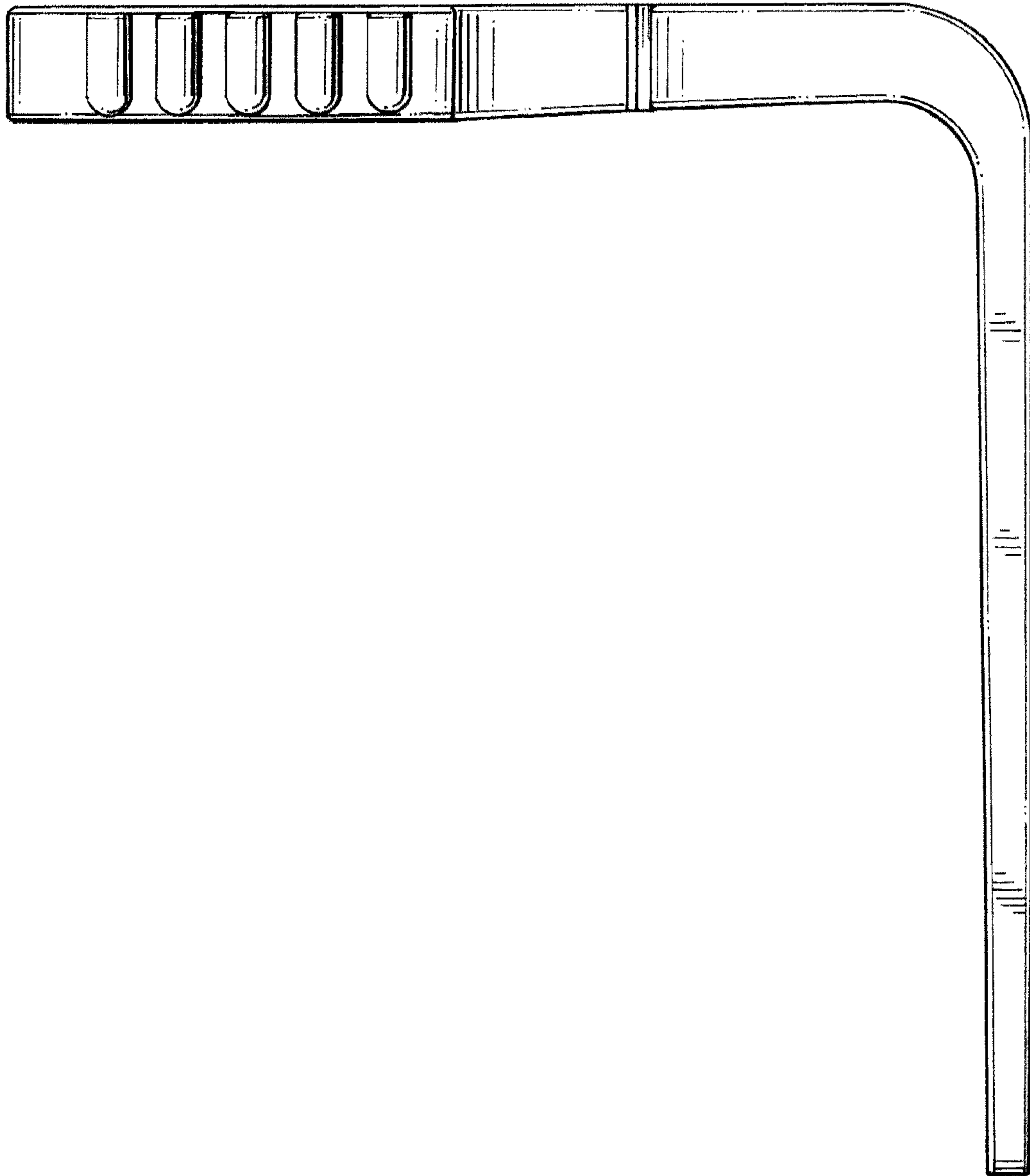


FIG. 5

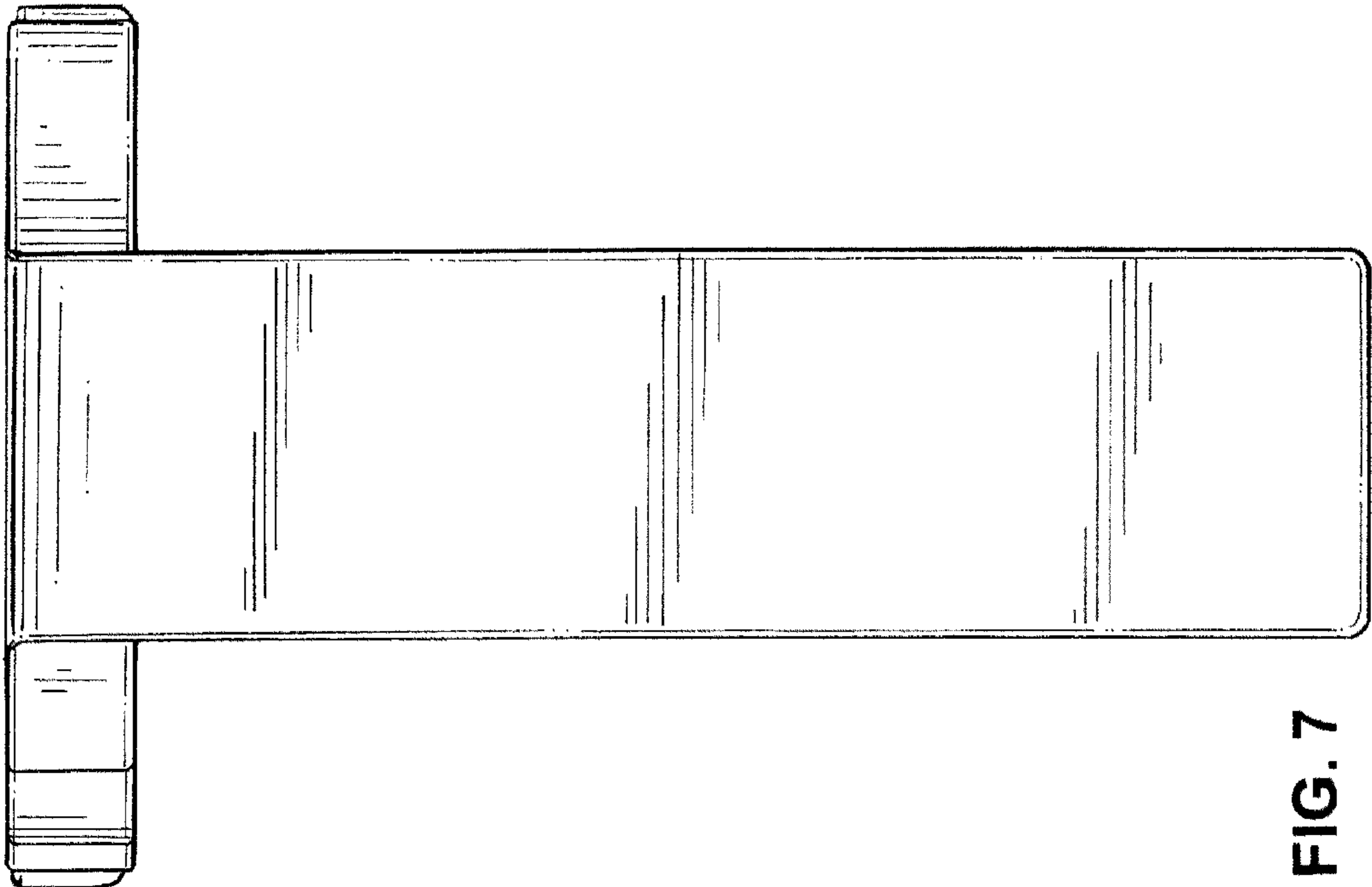


FIG. 7

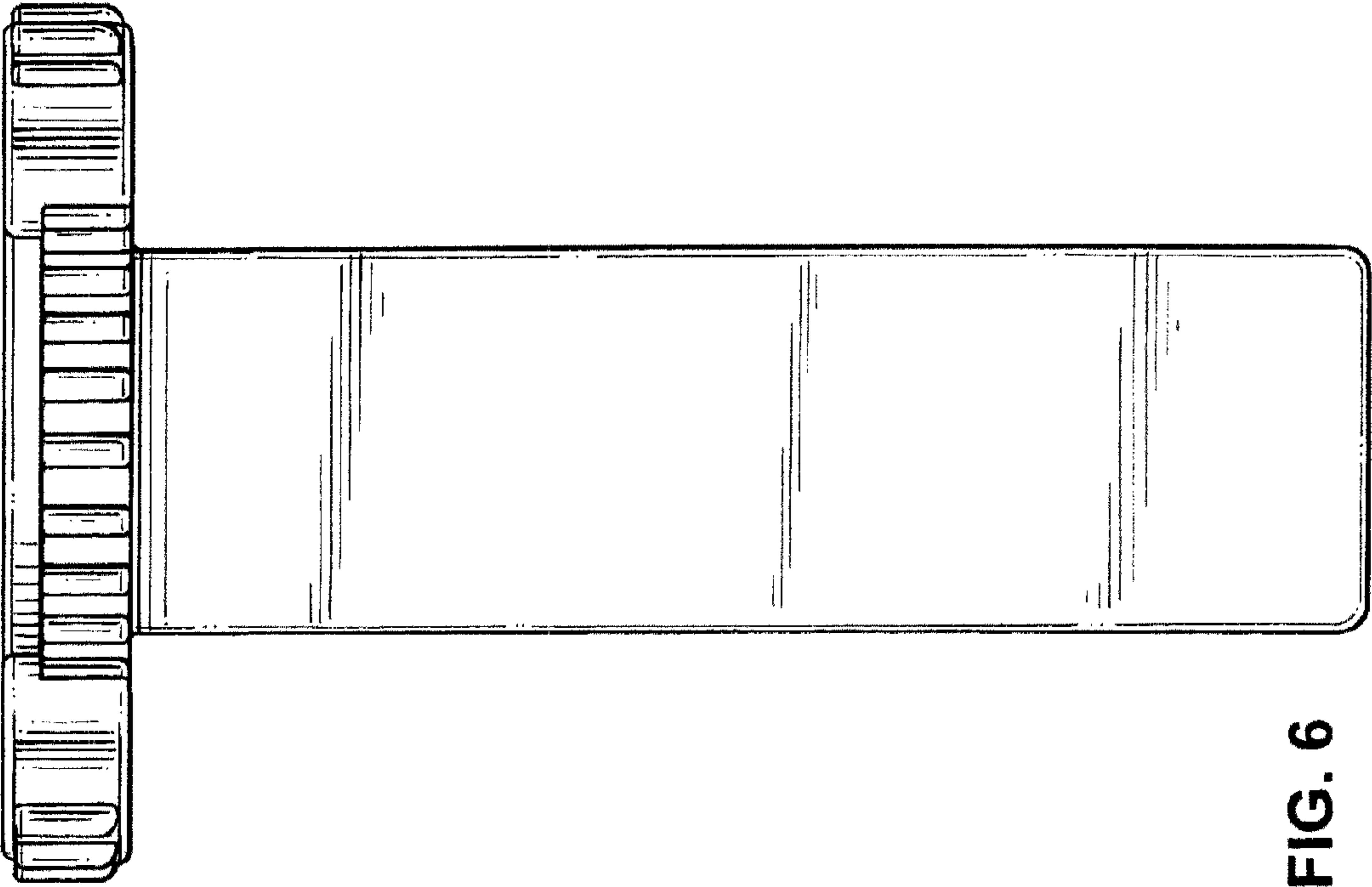


FIG. 6

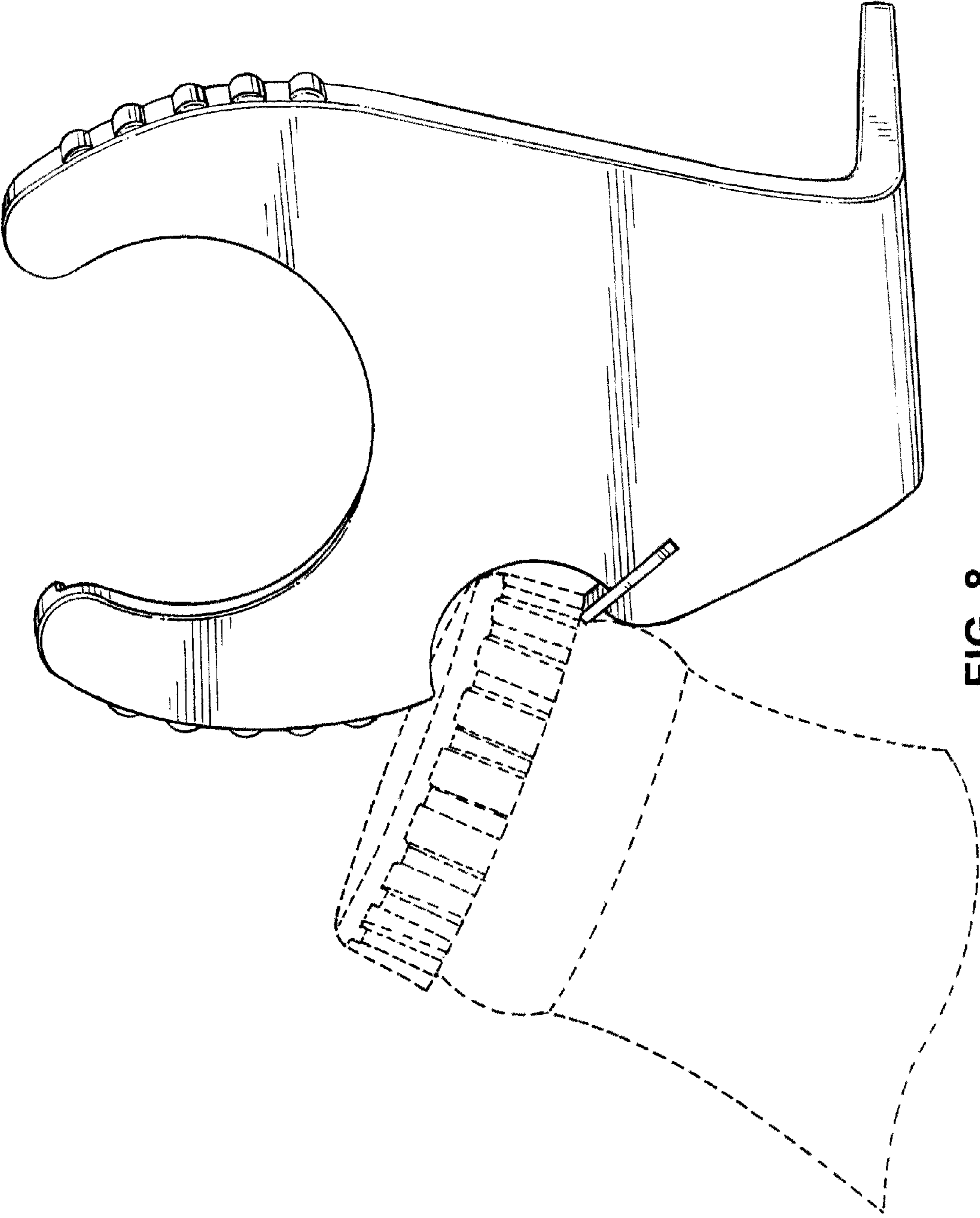


FIG. 8