

US00D662377S

(12) **United States Design Patent**
Corredor Londoño

(10) **Patent No.:** **US D662,377 S**

(45) **Date of Patent:** **** *Jun. 26, 2012**

(54) **BOTTLE OPENER**

(75) Inventor: **Pablo Enrique Corredor Londoño**,
Hialeah, FL (US)

(73) Assignee: **Magic Opener, LLC.**, Coral Gables, FL
(US)

(*) Notice: This patent is subject to a terminal disclaimer.

(**) Term: **14 Years**

(21) Appl. No.: **29/393,870**

(22) Filed: **Jun. 10, 2011**

(51) **LOC (9) Cl.** **07-99**

(52) **U.S. Cl.** **D8/38; D8/18**

(58) **Field of Classification Search** D8/14,
D8/16-19, 33-43, 88, 89, 105; 7/113, 151-156;
30/400-410, 416-430, 433, 434, 443, 450;
81/3.07, 3.09, 3.2, 3.27, 3.29, 3.31, 3.35,
81/3.37, 3.4, 3.45, 3.48, 3.49, 3.55

See application file for complete search history.

(56) **References Cited**

U.S. PATENT DOCUMENTS

D105,338	S	*	7/1937	McNaught	D8/17
D273,555	S	*	4/1984	Tanner	D8/40
D276,787	S	*	12/1984	Burns	D8/18
D277,635	S	*	2/1985	Sherwood	D8/18
D437,538	S	*	2/2001	Corredor et al.	D8/38
D462,000	S	*	8/2002	Hightower	D8/40
D496,570	S	*	9/2004	Wolf	D8/40
D578,364	S	*	10/2008	Corredor-Londono	D8/33
D603,237	S	*	11/2009	Corredor-Londono	D8/38
D603,670	S	*	11/2009	Corredor-Londono	D8/33

* cited by examiner

Primary Examiner — Garth Rademaker

(74) *Attorney, Agent, or Firm* — Albert Bordas, P.A.

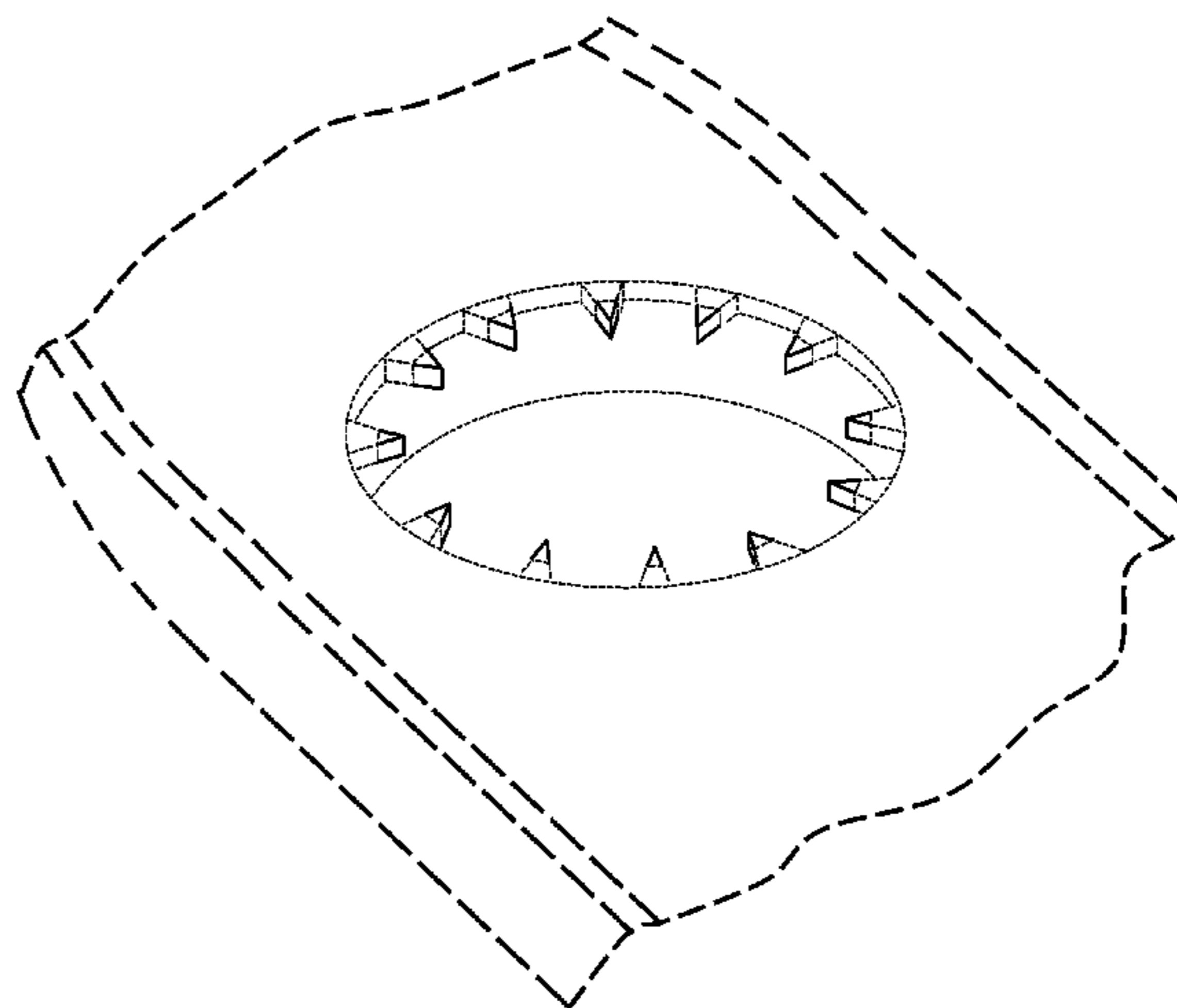
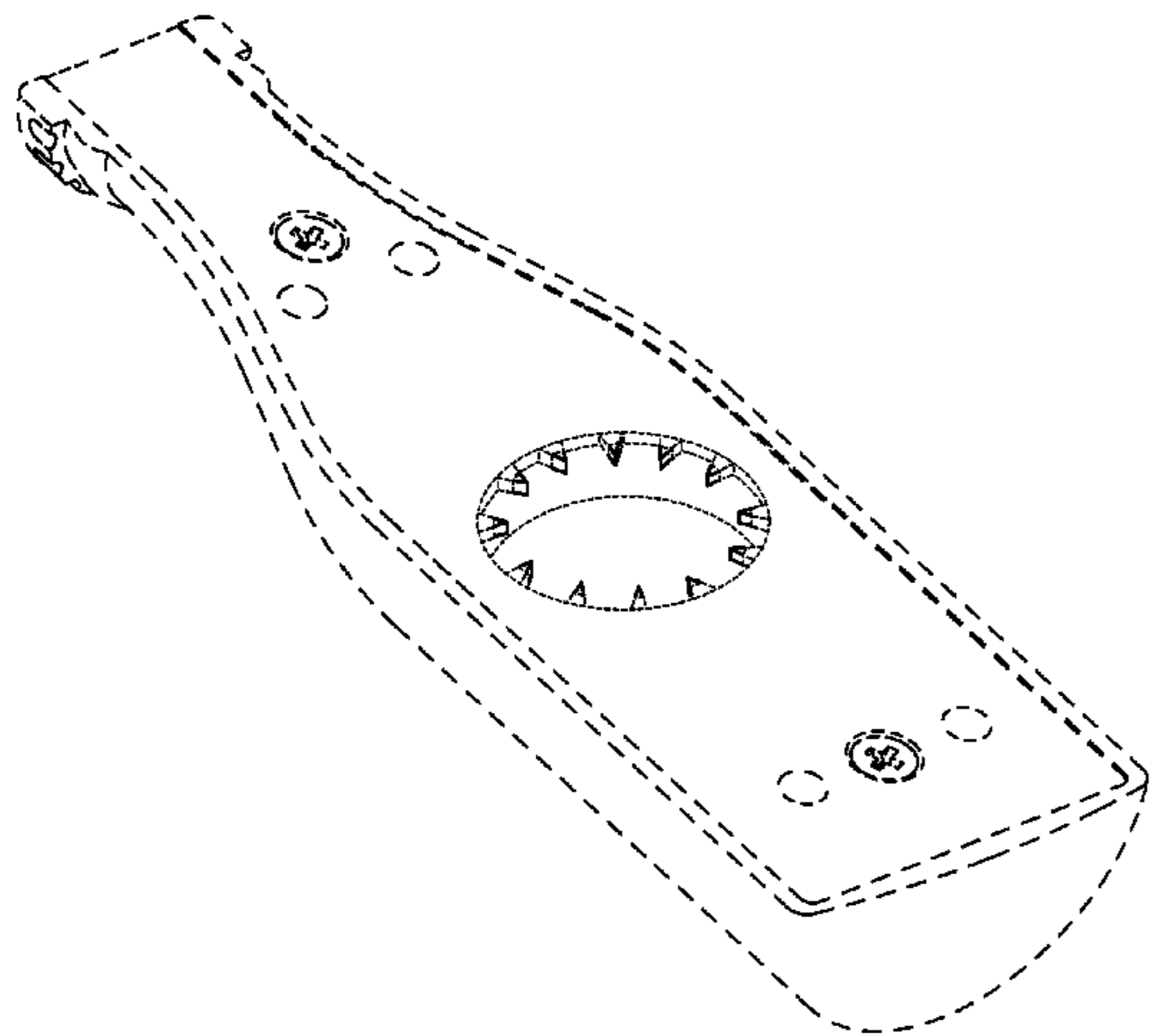
(57) **CLAIM**

The ornamental design for a bottle opener, as shown and described.

DESCRIPTION

FIG. 1 is front elevational view of a bottle opener;
FIG. 2 is an isometric view thereof; and,
FIG. 3 is an enlarged isometric view, showing the design.
The broken lines are for environmental purposes only and form no part of the claimed design.

1 Claim, 3 Drawing Sheets



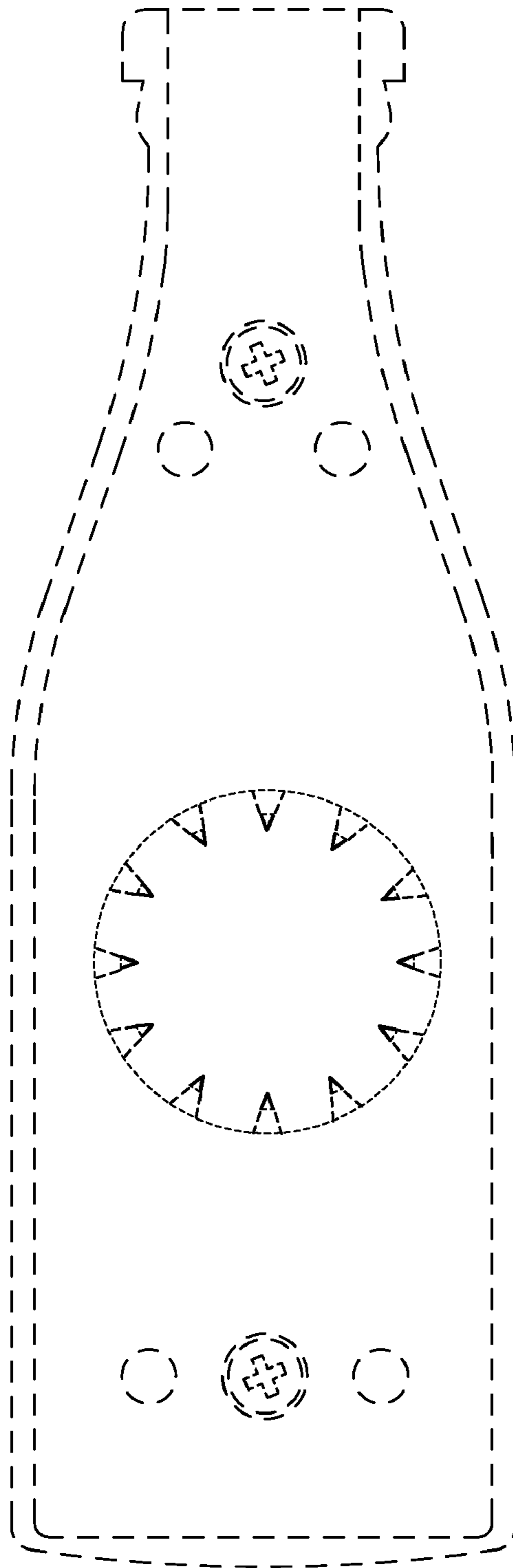


Fig. 1

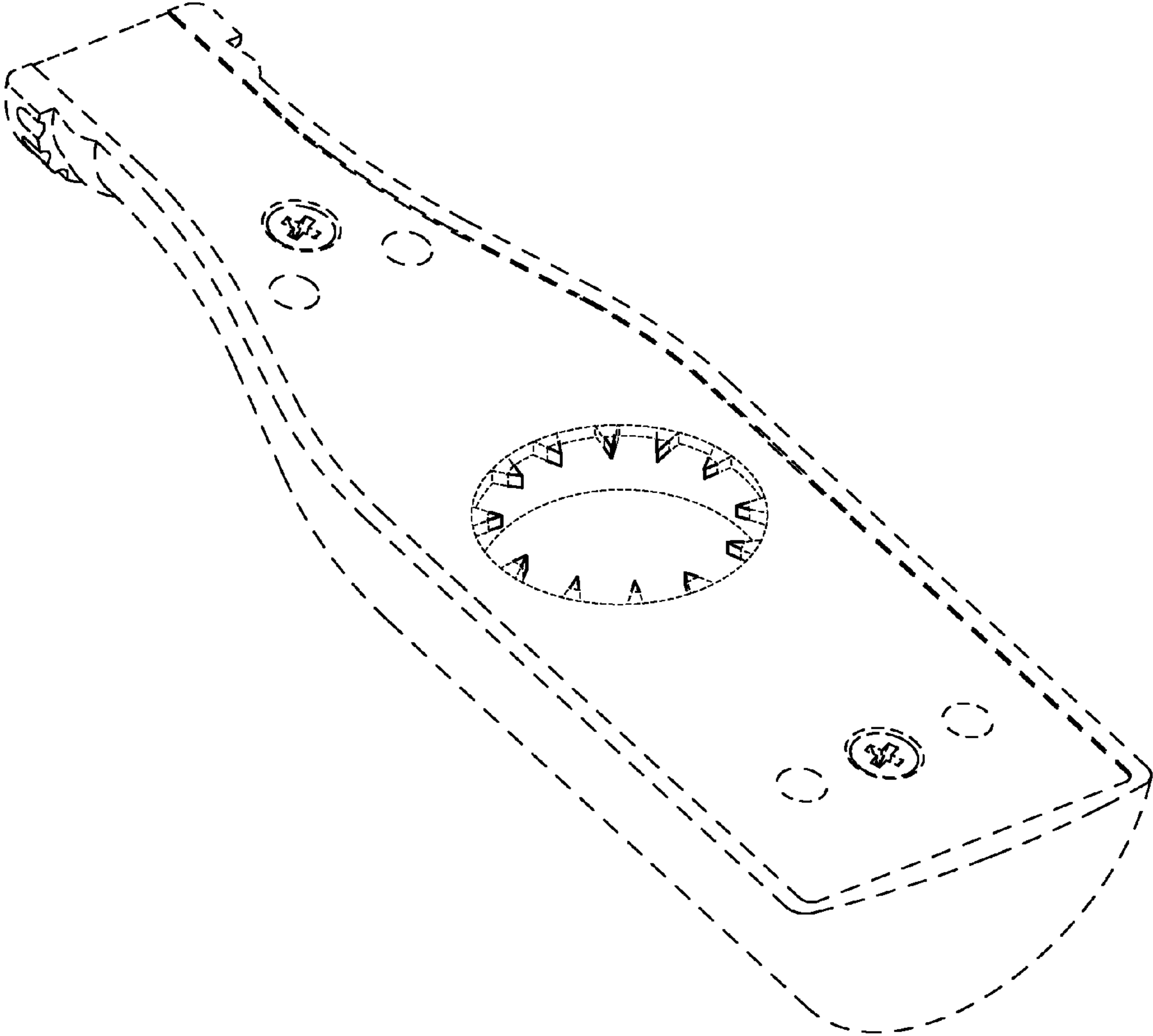


Fig. 2

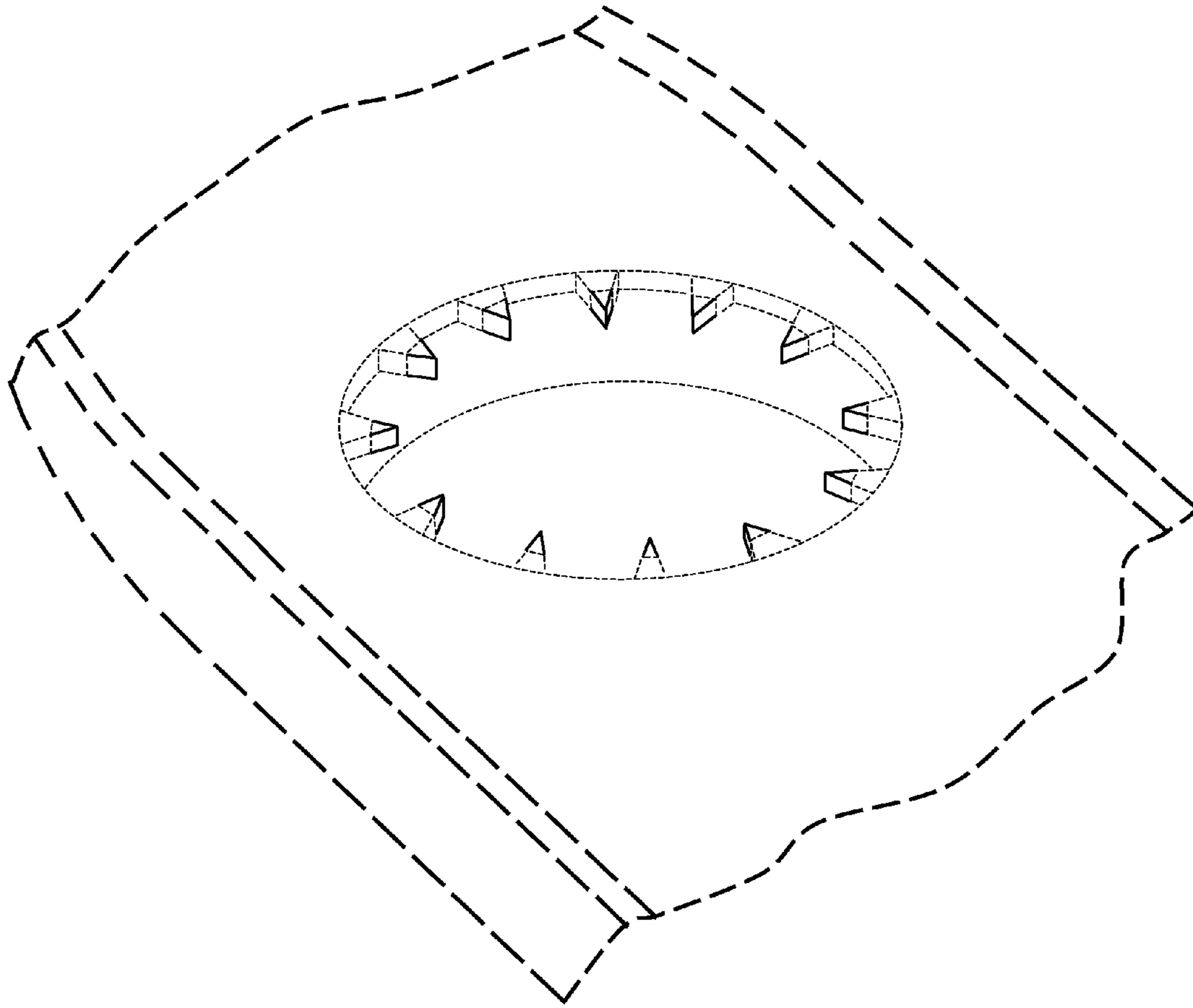


Fig. 3