



US00D662375S

(12) **United States Design Patent**
Carozza

(10) **Patent No.:** **US D662,375 S**
(45) **Date of Patent:** **** Jun. 26, 2012**

(54) **PORTABLE DISTRIBUTOR FOR STORING AND DISTRIBUTING GRANULES**

(75) Inventor: **Claudio Carozza**, Kleinandelfingen (CH)

(73) Assignee: **Birchmeier Spruhtechnik AG**, Stetten (CH)

(**) Term: **14 Years**

(21) Appl. No.: **29/369,260**

(22) Filed: **Sep. 3, 2010**

(51) **LOC (9) Cl.** **08-01**

(52) **U.S. Cl.** **D8/2**

(58) **Field of Classification Search** D8/2; 239/153, 239/152, 308, 325, 526
See application file for complete search history.

(56) **References Cited**

U.S. PATENT DOCUMENTS

D181,095	S	*	10/1957	Geary	D8/2
D192,600	S	*	4/1962	Love	D8/2
4,387,852	A	*	6/1983	Mattson et al.	239/143
5,503,090	A	*	4/1996	Guzan	111/7.2
6,089,477	A	*	7/2000	Dillon	239/653
6,729,558	B1	*	5/2004	Seenauth	239/152
7,832,663	B1	*	11/2010	Cotham	239/653
7,837,076	B2	*	11/2010	Welker et al.	224/576

* cited by examiner

Primary Examiner — Sheryl Lane

(74) *Attorney, Agent, or Firm* — Janet Sleath; Speckman Law Group PLLC

(57) **CLAIM**

The ornamental design for a portable distributor for storing and distributing granules, as shown and described.

DESCRIPTION

FIG. 1 shows a front perspective view of a portable distributor for storing and distributing granules, including a storage reservoir and a nozzle, embodying my new design;

FIG. 2 shows a front view of the distributor as shown in FIG. 1, wherein the storage reservoir is enlarged;

FIG. 3 shows a top view of the distributor as shown in FIG. 1;

FIG. 4 shows a bottom view of the distributor as shown in FIG. 1;

FIG. 5 shows a first side view of the distributor as shown in FIG. 1;

FIG. 6 shows a second side view of the distributor as shown in FIG. 1;

FIG. 7 shows a front perspective view of the nozzle portion of the distributor as shown in FIGS. 1-6;

FIG. 8 shows a front view of the nozzle as shown in FIG. 7;

FIG. 9 shows a top view of the nozzle as shown in FIG. 7;

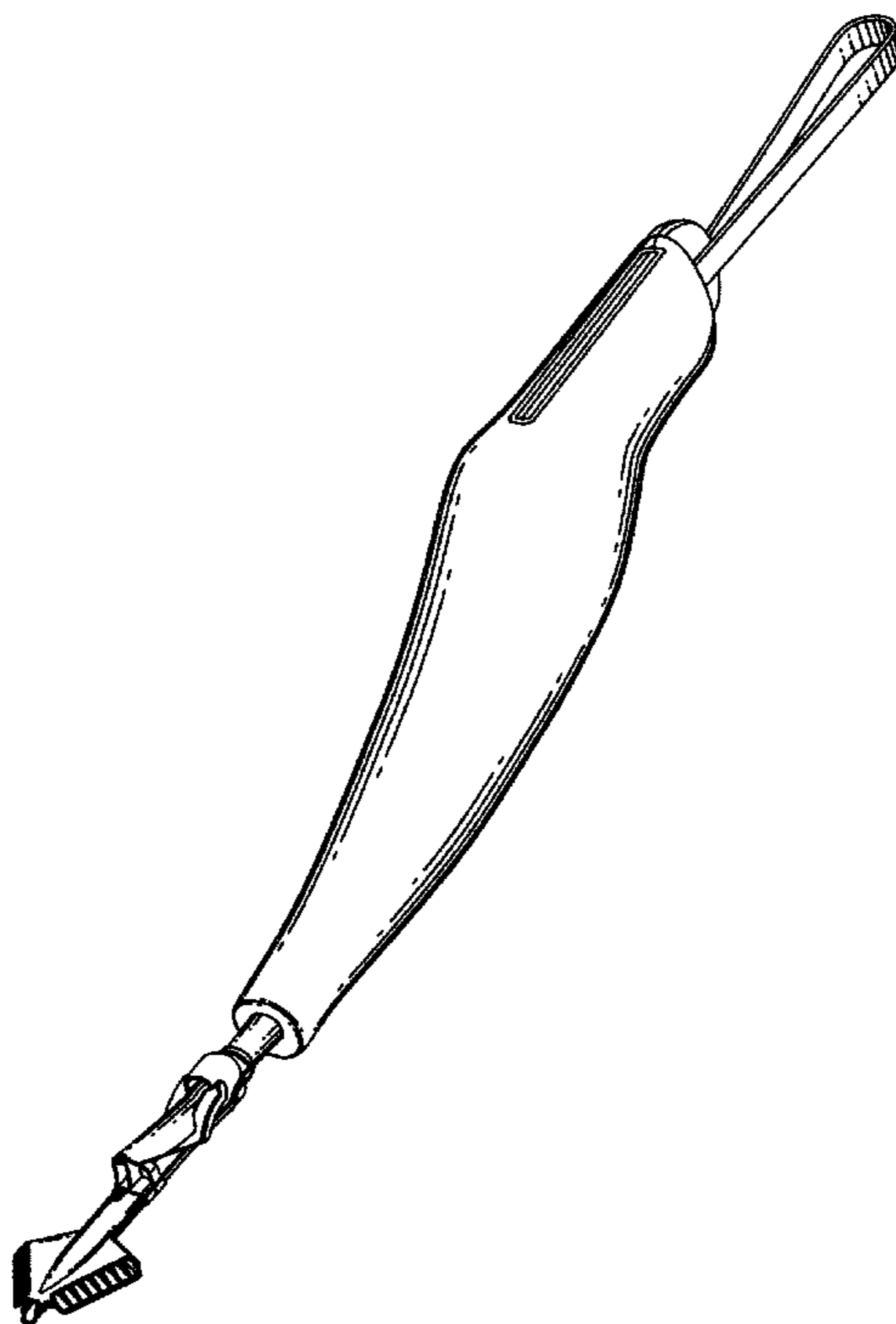
FIG. 10 shows a bottom view of the nozzle as shown in FIG. 7;

FIG. 11 shows a first side view of the nozzle as shown in FIG. 7; and,

FIG. 12 shows a second side view of the nozzle as shown in FIG. 7.

The drawings of FIGS. 7-12 are shown separated for ease of illustration.

1 Claim, 7 Drawing Sheets



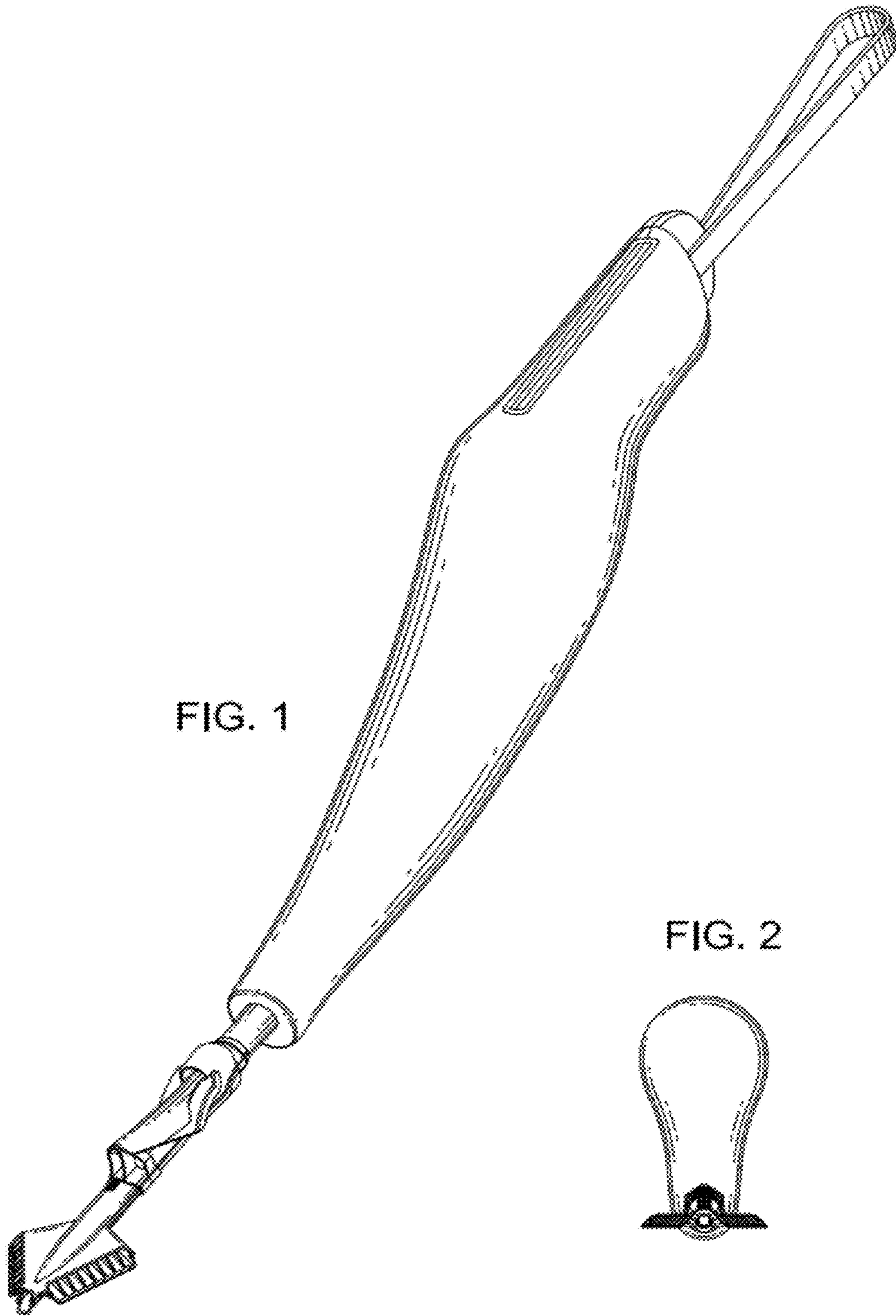


FIG. 3

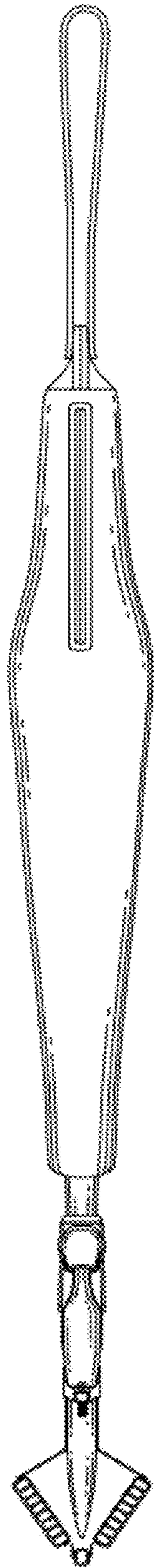
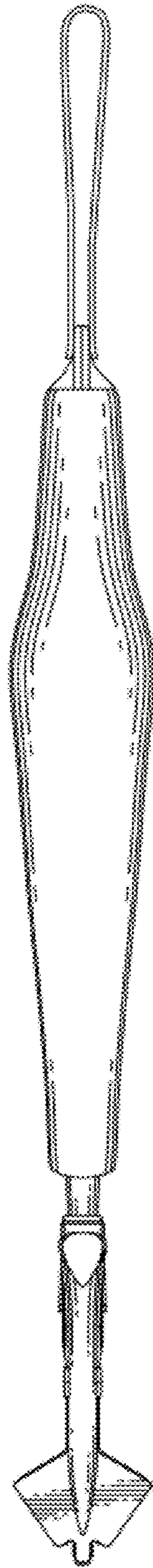


FIG. 4



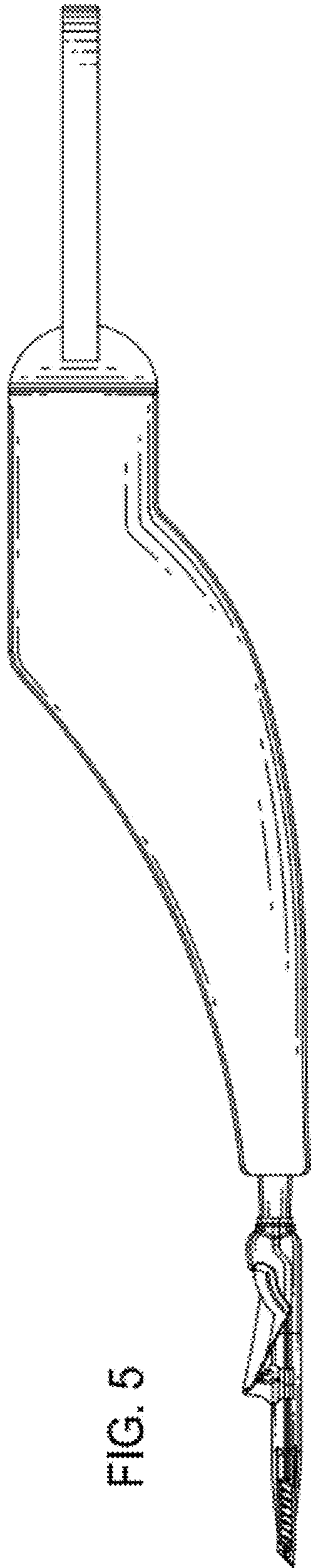


FIG. 5

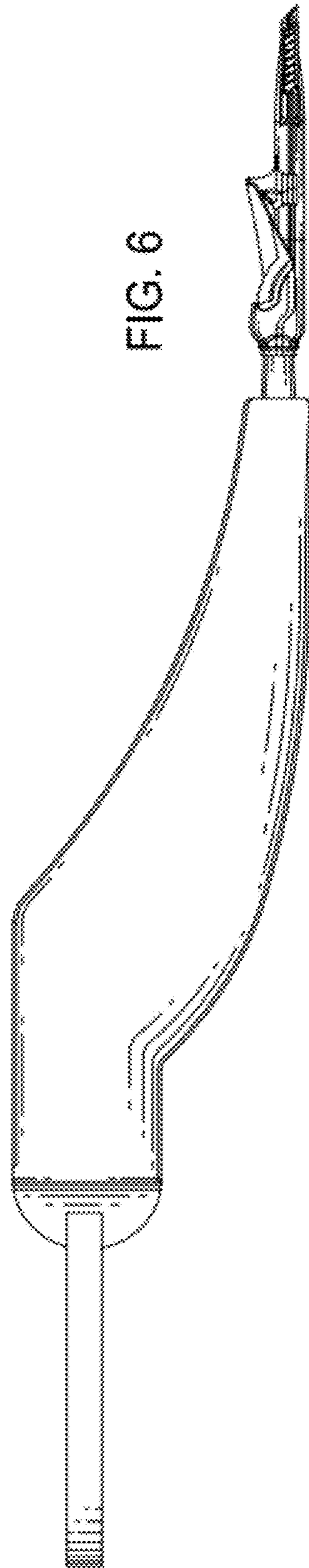


FIG. 6

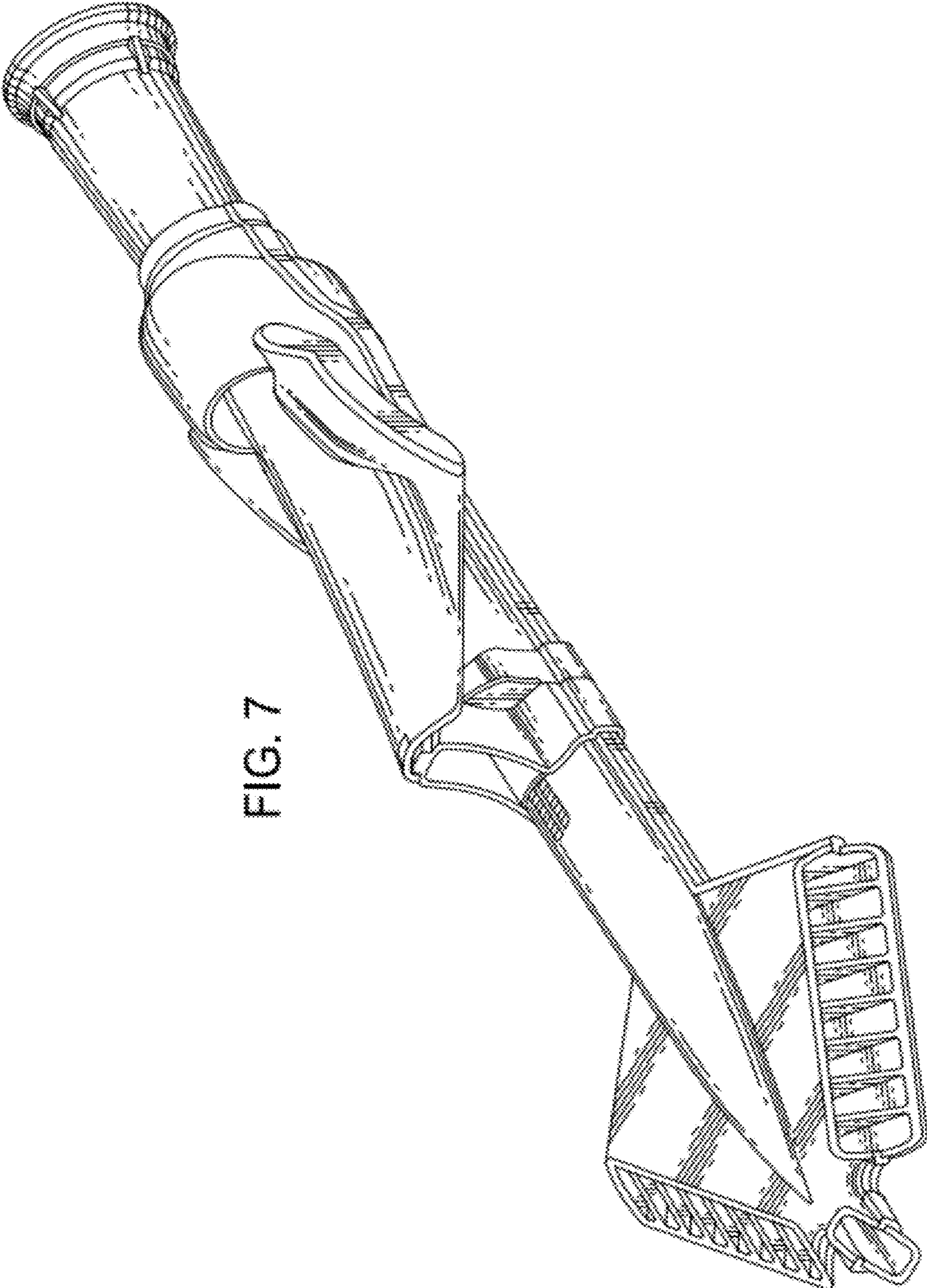


FIG. 7

FIG. 8

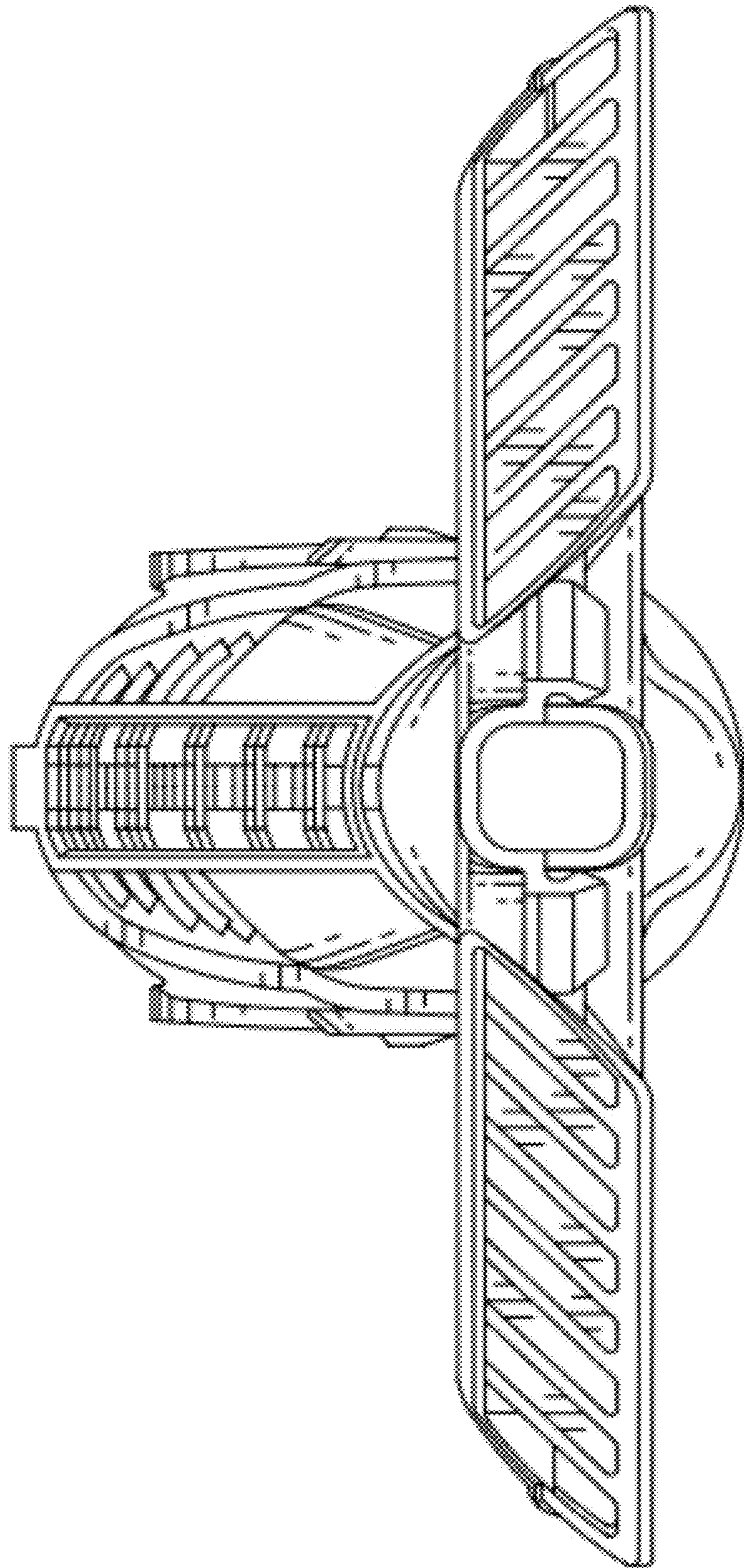


FIG. 9

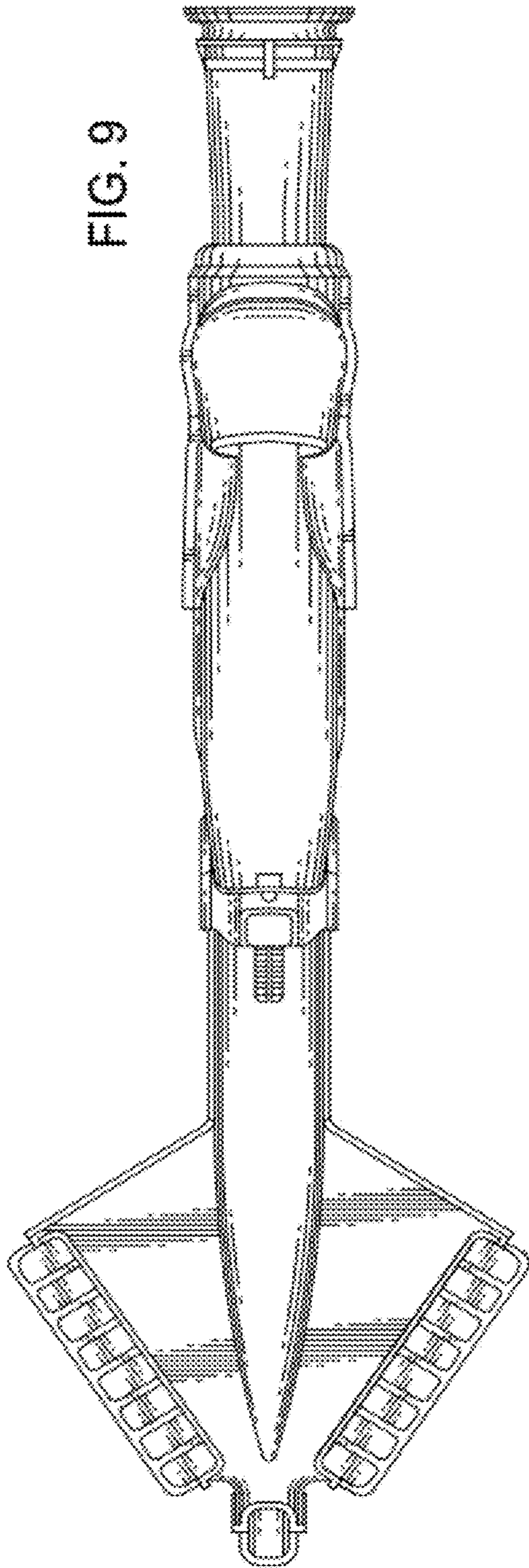
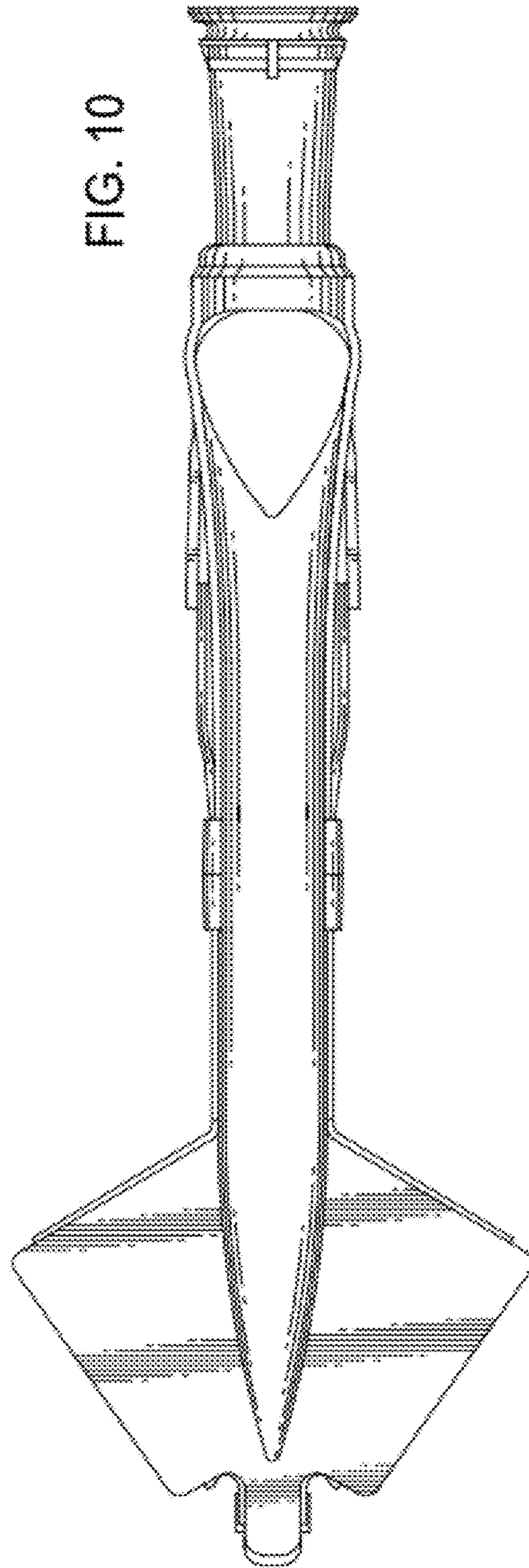


FIG. 10



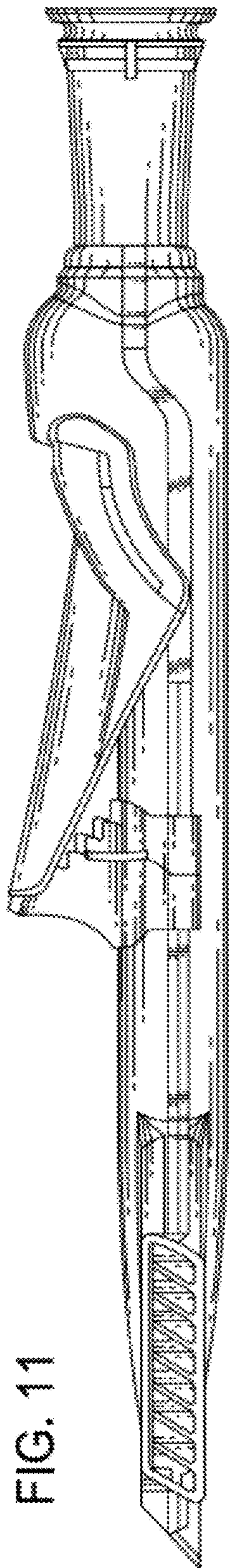


FIG. 11

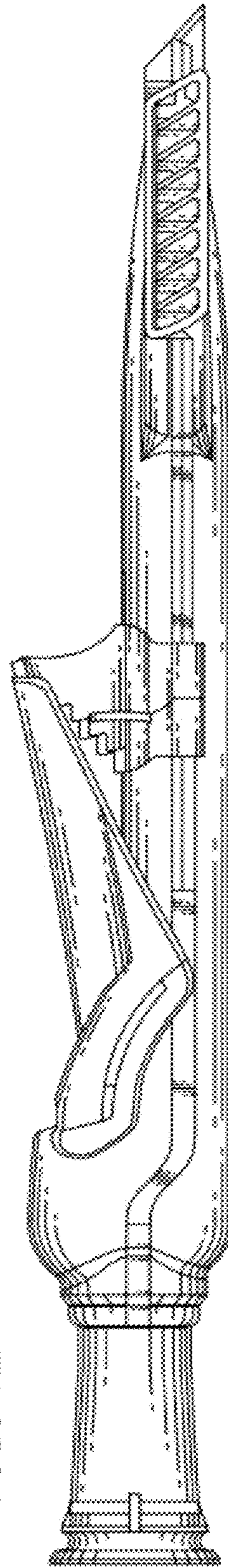


FIG. 12