



US00D662370S

(12) **United States Design Patent**
Jowett

(10) **Patent No.:** **US D662,370 S**
(45) **Date of Patent:** **** Jun. 26, 2012**

(54) **GUMBALL MACHINE SHAPED SANDWICH BREAD CUTTER**

D639,120 S 6/2011 Jowett
D639,121 S * 6/2011 Jowett D7/673
2004/0187317 A1* 9/2004 Wood 30/315

(76) Inventor: **Kiersten Julia Jowett**, Ashburton (AU)

FOREIGN PATENT DOCUMENTS

(**) Term: **14 Years**

AU 316513 S 10/2007

* cited by examiner

(21) Appl. No.: **29/397,119**

Primary Examiner — Terry Wallace

(22) Filed: **Jul. 12, 2011**

(74) *Attorney, Agent, or Firm* — Saul Ewing LLP; Theodore Naccarella

(51) **LOC (9) Cl.** **07-04**

(52) **U.S. Cl.** **D7/675**

(58) **Field of Classification Search** D7/672-677;
D9/600; D1/106; 249/117, 135; 30/301,
30/303, 305, 306, 312, 314-316, 299, 114,
30/124, 130; 83/13; 425/276, 279, 281,
425/298, 299

(57) **CLAIM**

The ornamental design for a gumball machine shaped sandwich bread cutter, as shown and described.

See application file for complete search history.

DESCRIPTION

(56) **References Cited**

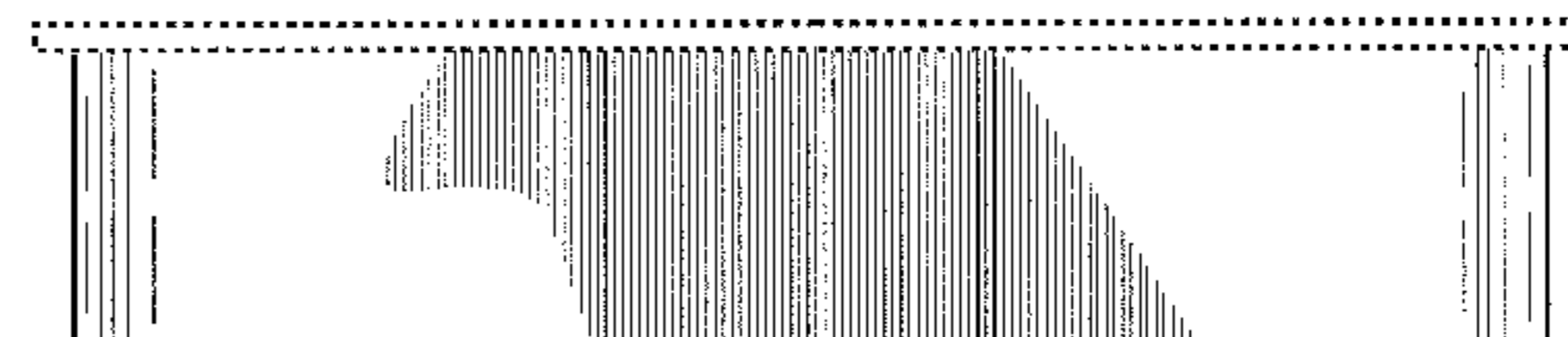
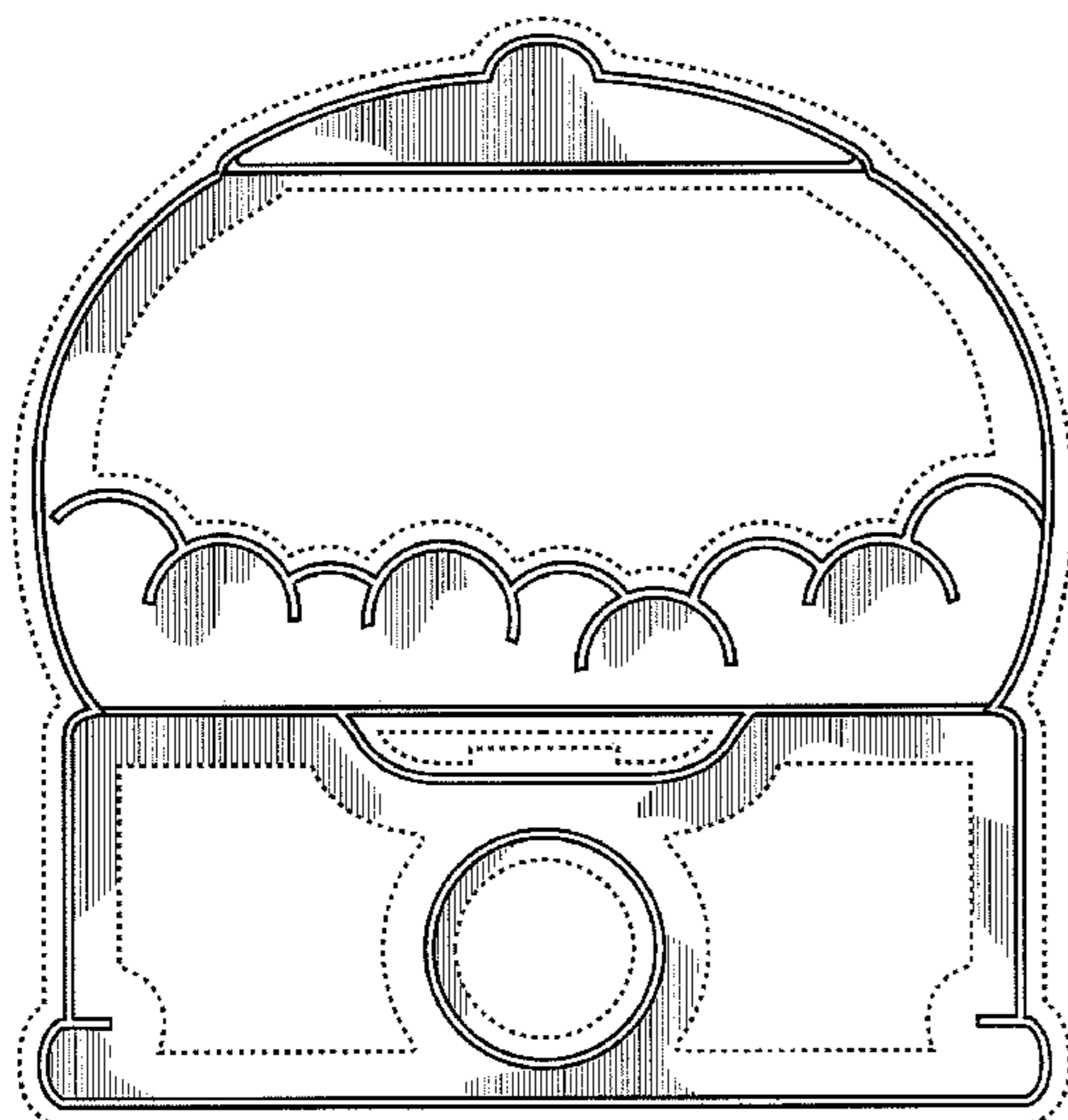
U.S. PATENT DOCUMENTS

4,245,973 A * 1/1981 Greaney 425/276
D441,260 S * 5/2001 Holcomb D7/673
D481,914 S * 11/2003 Short D7/675
D567,037 S * 4/2008 Taylor D7/672
D597,801 S * 8/2009 Goode et al. D7/675

FIG. 1 is a bottom plan view of a sandwich bread cutter showing my new design;
FIG. 2 is a front elevation view thereof;
FIG. 3 is an isometric view thereof;
FIG. 4 is a top plan view thereof;
FIG. 5 is a rear side elevation view thereof;
FIG. 6 is a right elevation view thereof; and,
FIG. 7 is a left elevation view thereof.

The broken lines are for illustrative purposes only and form no part of the claimed design.

1 Claim, 3 Drawing Sheets



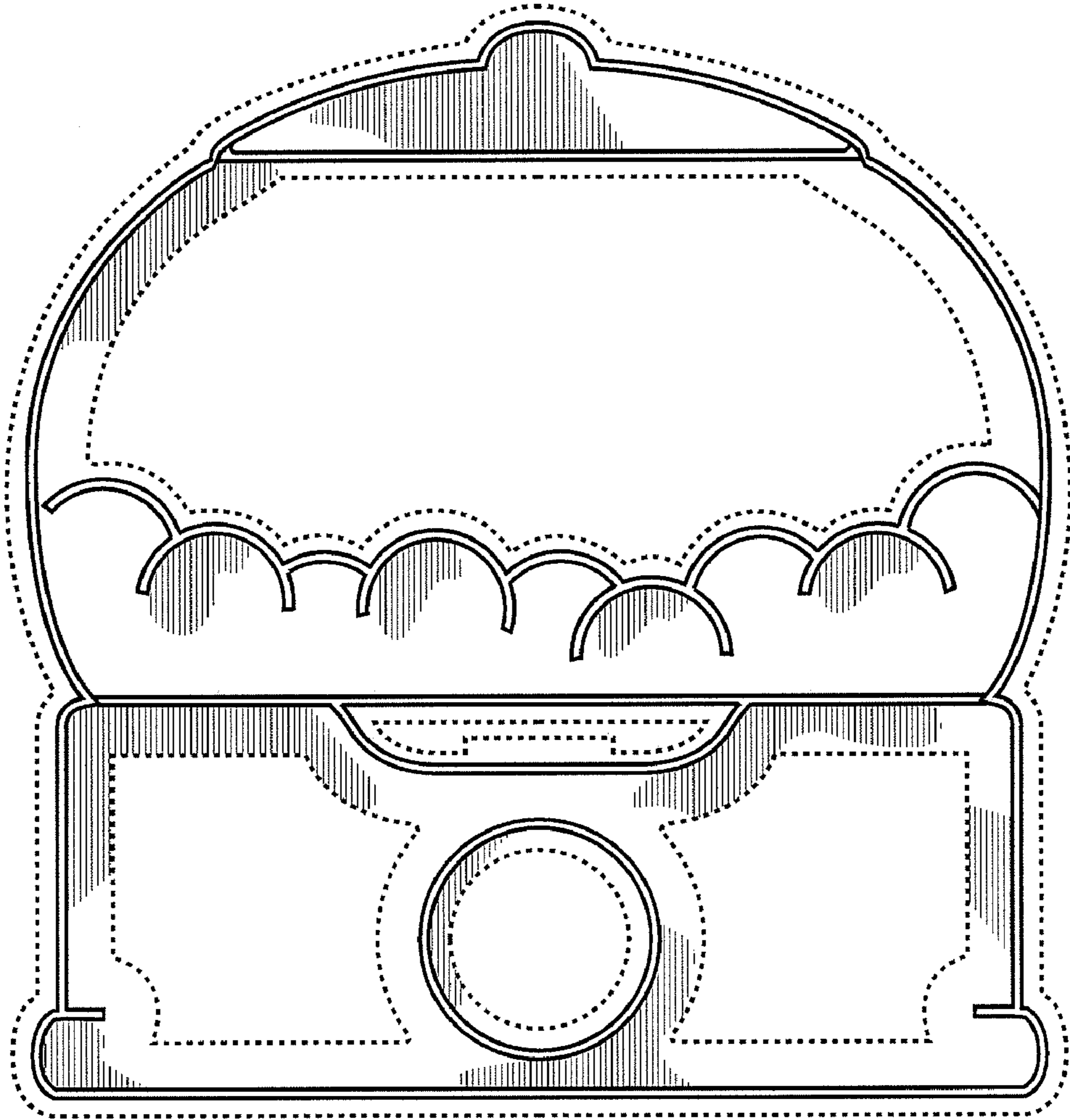


FIG. 1

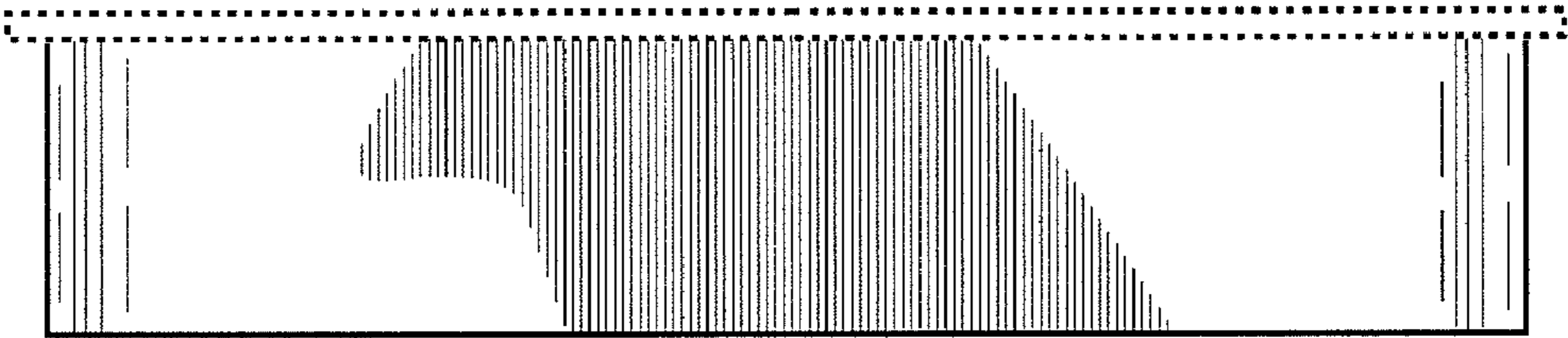


FIG. 2

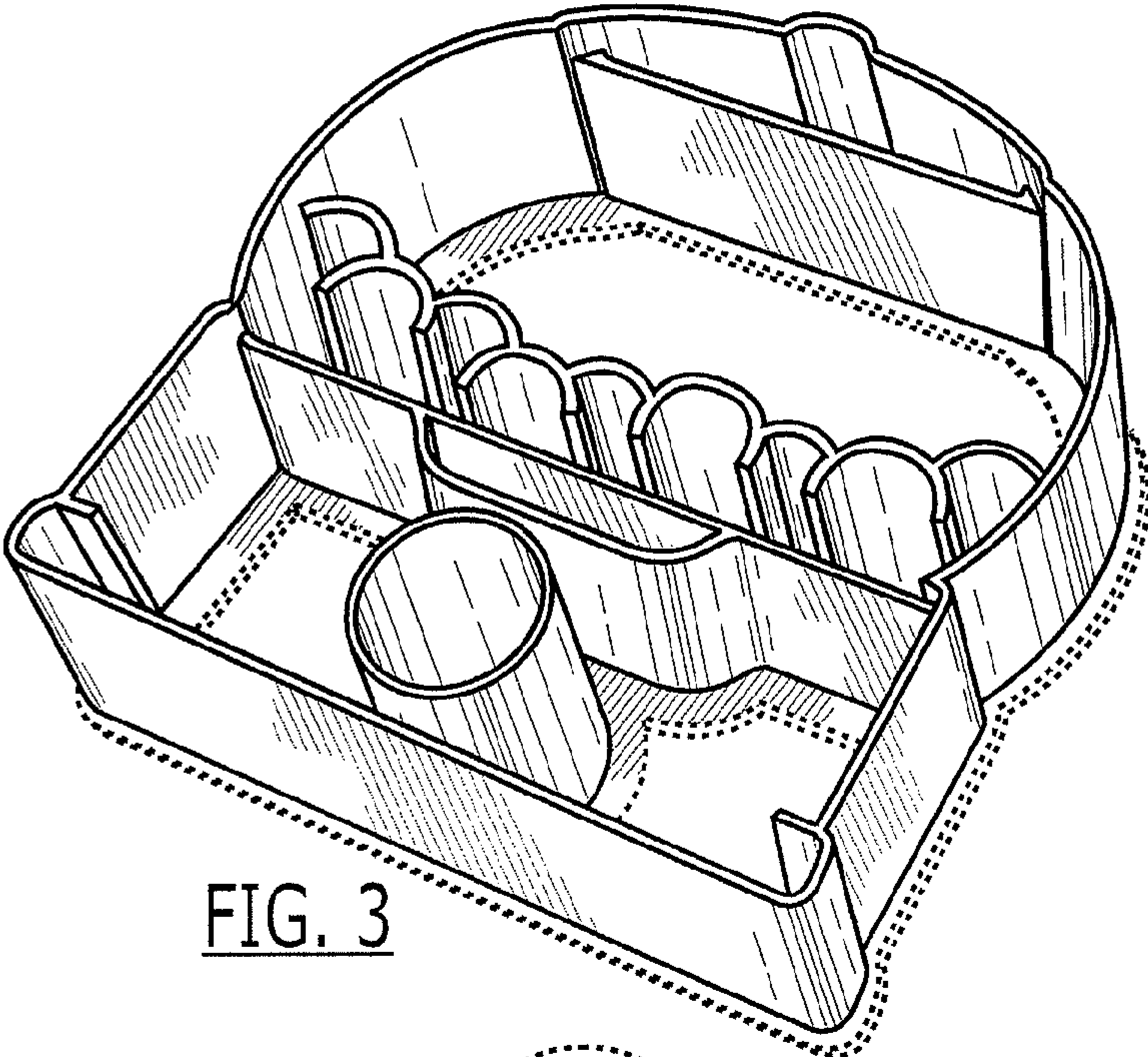


FIG. 3

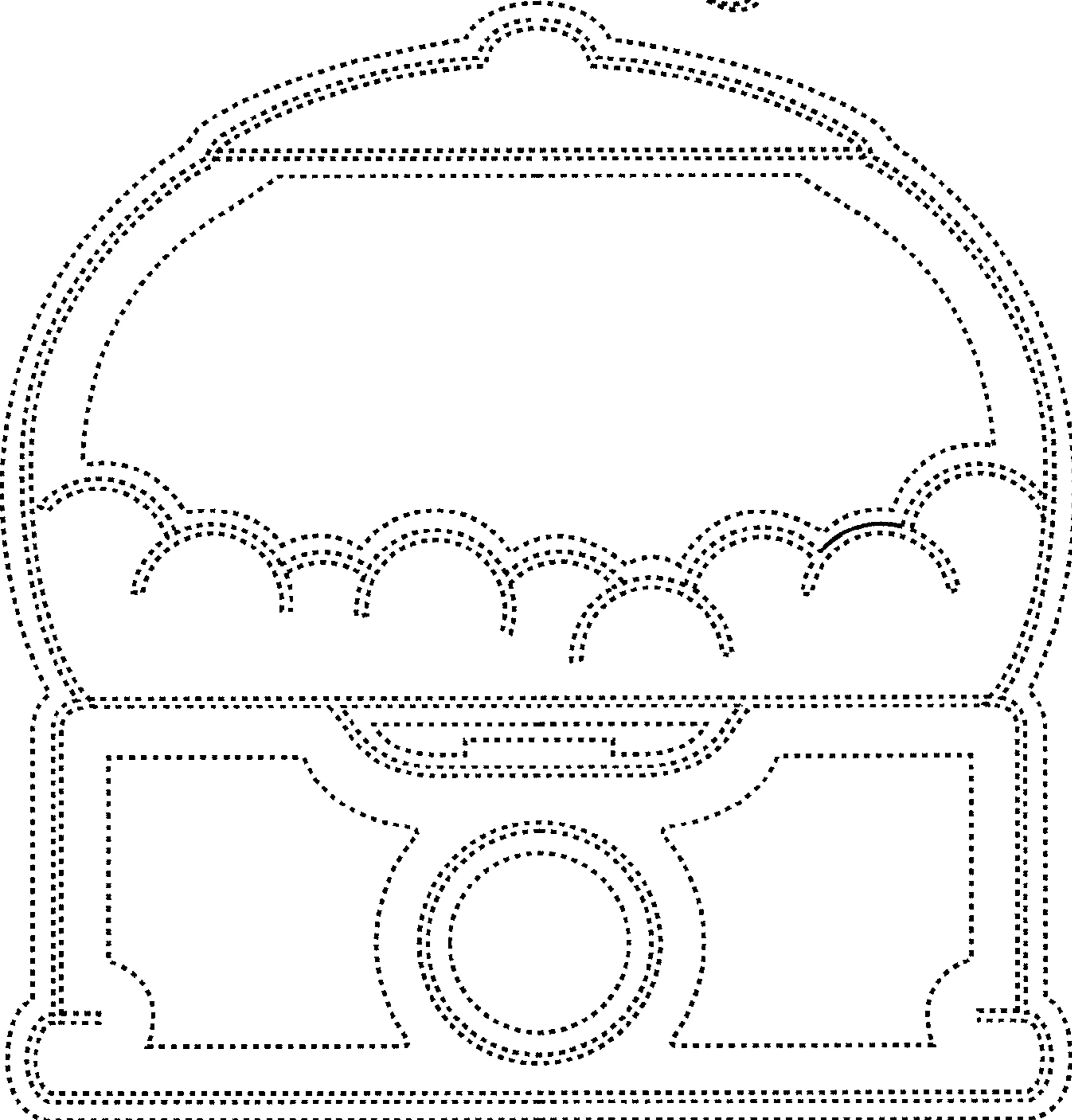


FIG. 4

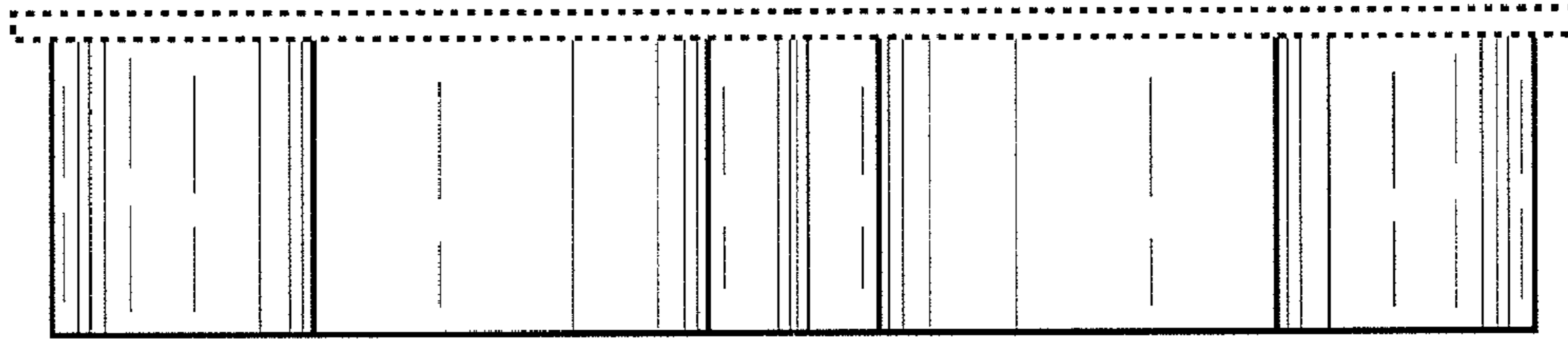


FIG. 5

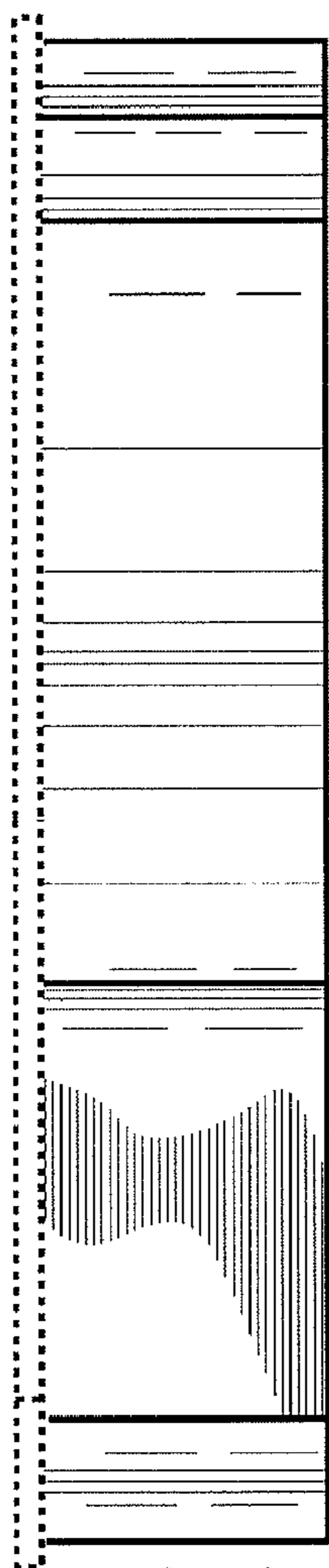


FIG. 6

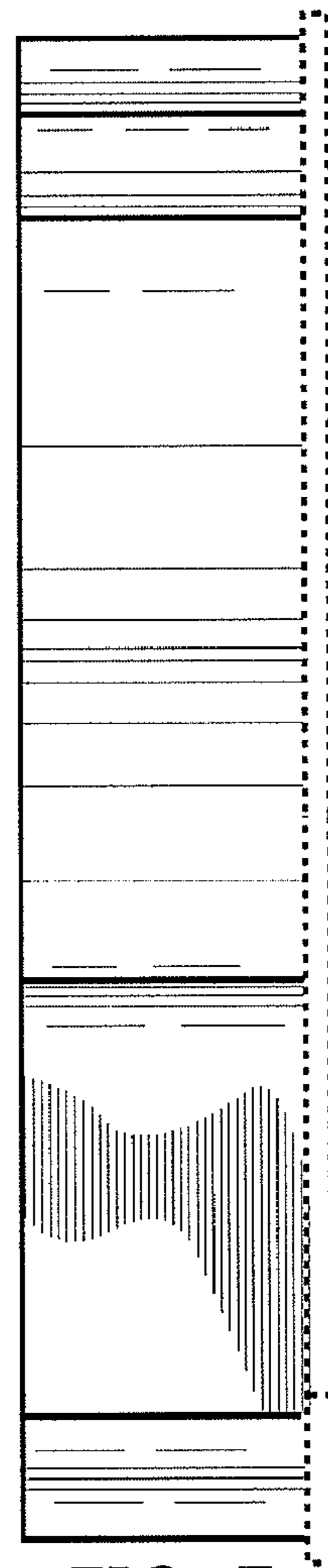


FIG. 7