



US00D662366S

(12) **United States Design Patent**  
**Smyers et al.**

(10) **Patent No.:** **US D662,366 S**  
(45) **Date of Patent:** **\*\* Jun. 26, 2012**

(54) **CONTAINER FOR COOKIES AND OTHER DRY FOODS**

(75) Inventors: **Justin Smyers**, Newport Beach, CA (US); **Lou Henry**, Scarsdale, NY (US); **Jacob Wilson**, New York, NY (US); **Ken S. Tran**, West Covina, CA (US)

(73) Assignee: **Snapware Corporation**, Mira Loma, CA (US)

(\*\*) Term: **14 Years**

(21) Appl. No.: **29/358,924**

(22) Filed: **Apr. 1, 2010**

(51) **LOC (9) Cl.** ..... **09-02**

(52) **U.S. Cl.** ..... **D7/612**

(58) **Field of Classification Search** ..... D7/538,  
D7/540, 542, 500, 584, 586, 601, 602, 612,  
D7/615, 629, 630; 215/200, 201, 224, 316,  
215/317, 318, 379, 381-385; 220/574, 495.02,  
220/495.03, 200, 62.11, 62.13, 377, 660,  
220/662, 669, 675

See application file for complete search history.

(56) **References Cited**

**U.S. PATENT DOCUMENTS**

D86,712 S *	4/1932	Fuerst	.....	D9/522
D99,012 S *	3/1936	Garwood	.....	D9/526
D110,477 S *	7/1938	Carpenter	.....	D9/526
D200,969 S *	4/1965	Wildgen	.....	D7/612
D250,871 S *	1/1979	Taylor	.....	D7/612
D293,289 S *	12/1987	Edwards et al.	.....	D7/612

D293,407 S *	12/1987	Edwards et al.	.....	D7/612
4,744,487 A *	5/1988	Welborn	.....	220/827
D313,150 S *	12/1990	Hestehave et al.	.....	D7/612
5,271,515 A *	12/1993	Berkheimer et al.	.....	220/4.27
D343,093 S *	1/1994	Sabin et al.	.....	D7/612
D343,766 S *	2/1994	Bastidos	.....	D7/614
D347,554 S *	6/1994	Wingate et al.	.....	D7/612
D370,834 S *	6/1996	Hartman	.....	D7/612
5,678,701 A *	10/1997	Anderson	.....	211/73
D406,988 S *	3/1999	Tisdale	.....	D7/612
D500,640 S *	1/2005	Lawson et al.	.....	D7/612
D533,330 S *	12/2006	Beaulieu	.....	D99/34
D540,174 S *	4/2007	Lux	.....	D9/523
D633,473 S *	3/2011	Takeshi Yeung	.....	D14/207

\* cited by examiner

*Primary Examiner* — Elizabeth J Oswecki

(74) *Attorney, Agent, or Firm* — Larry K. Roberts

(57) **CLAIM**

The ornamental design for a container for cookies and other dry foods, as shown and described.

**DESCRIPTION**

FIG. 1 is an isometric view of a container for cookies and other dry foods showing our new design;

FIG. 2 is a top view thereof;

FIG. 3 is a left side view thereof;

FIG. 4 is a right side view thereof;

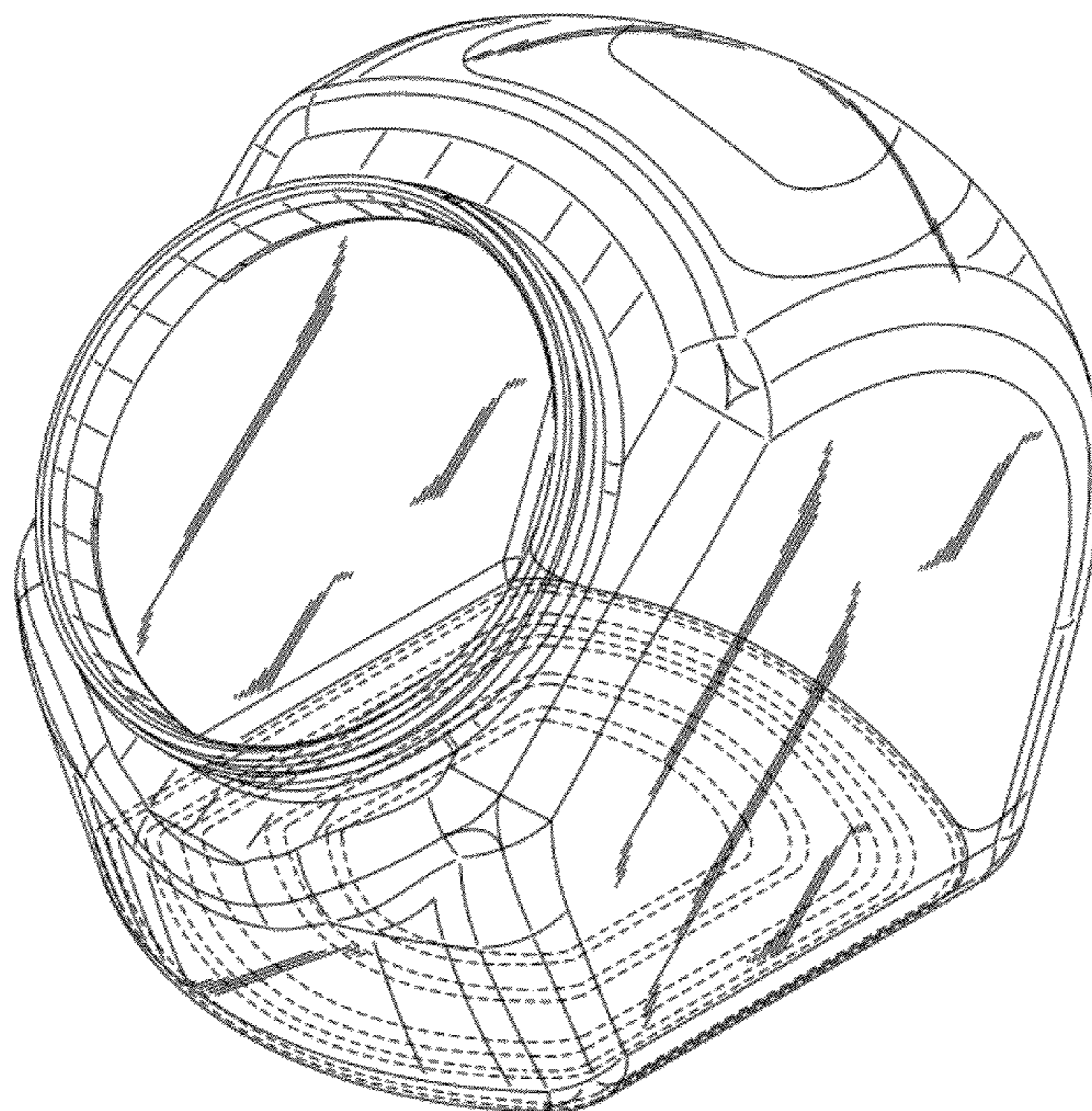
FIG. 5 is a bottom view thereof;

FIG. 6 is a front elevation view thereof; and,

FIG. 7 is a rear elevation view thereof.

The features shown in broken lines form no part of the claimed design.

**1 Claim, 4 Drawing Sheets**



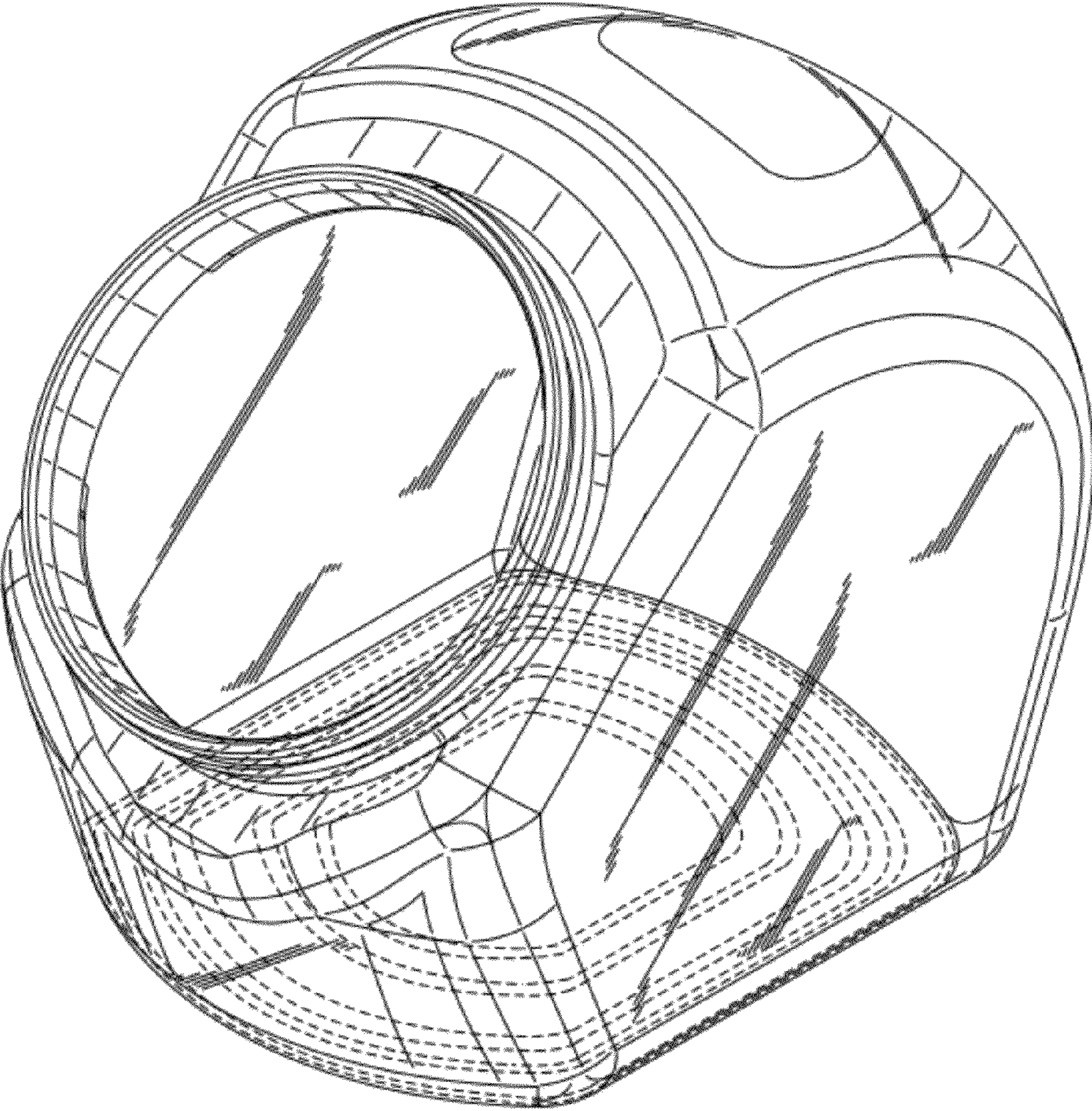


FIG. 1

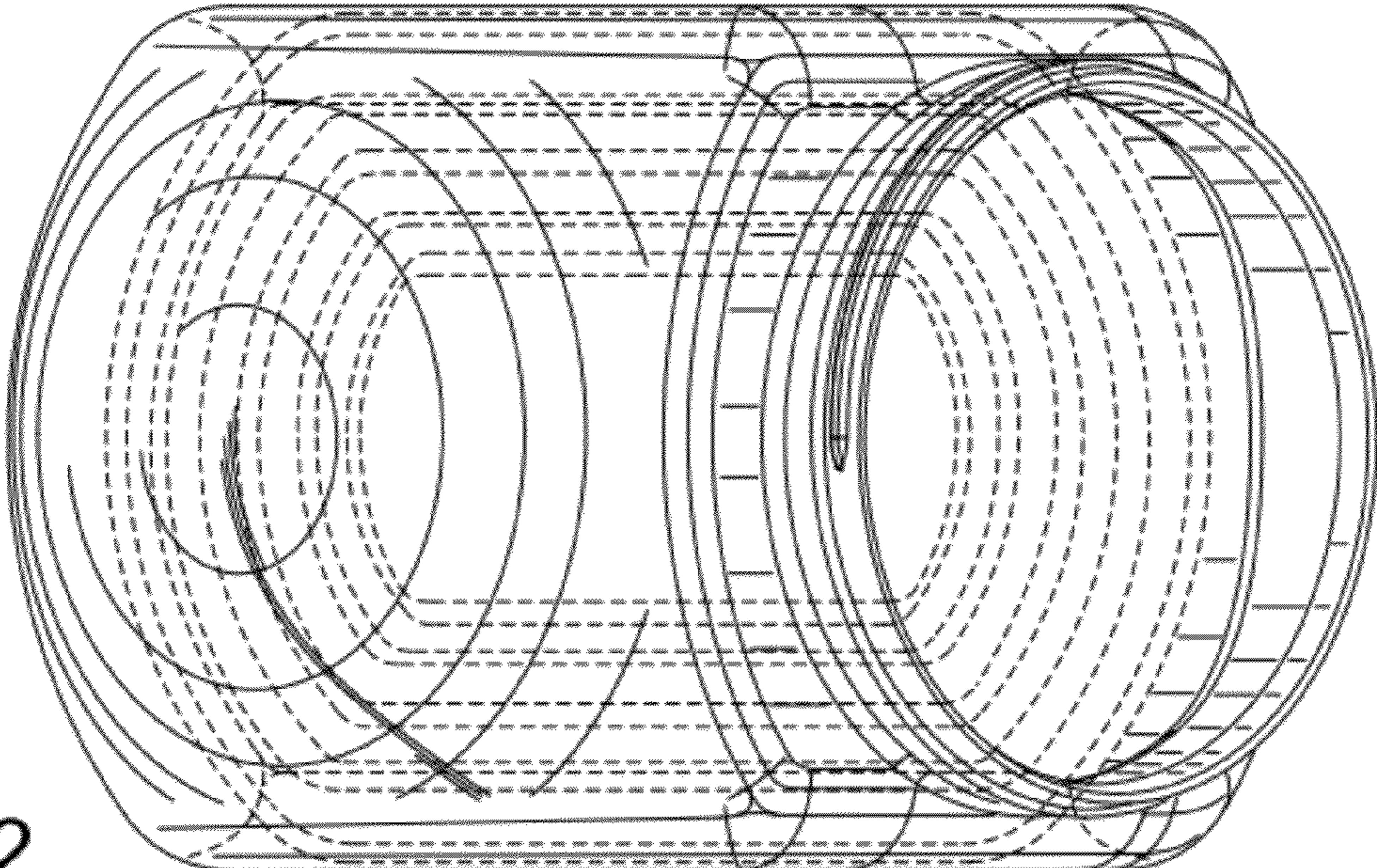


FIG. 2

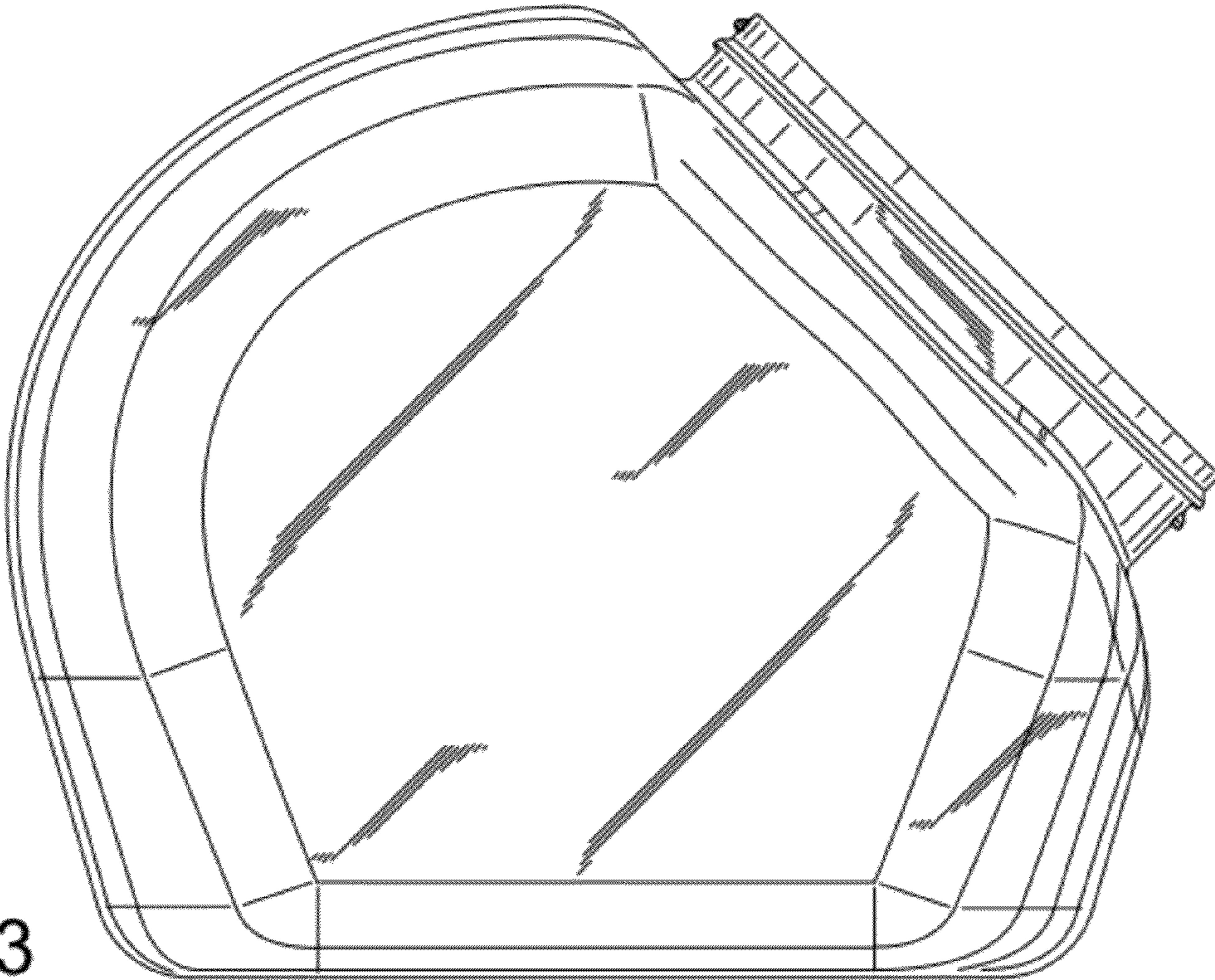


FIG. 3

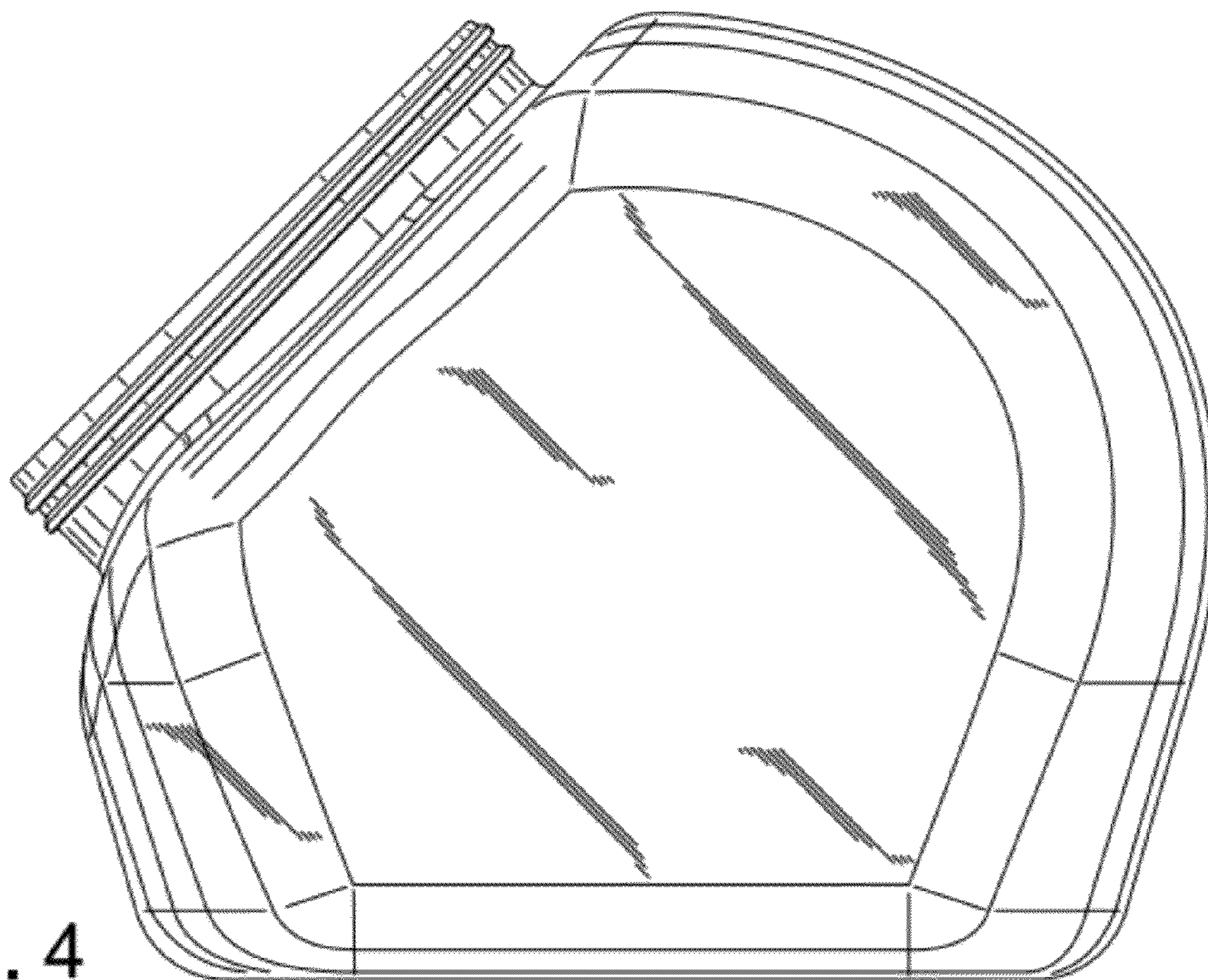


FIG. 4

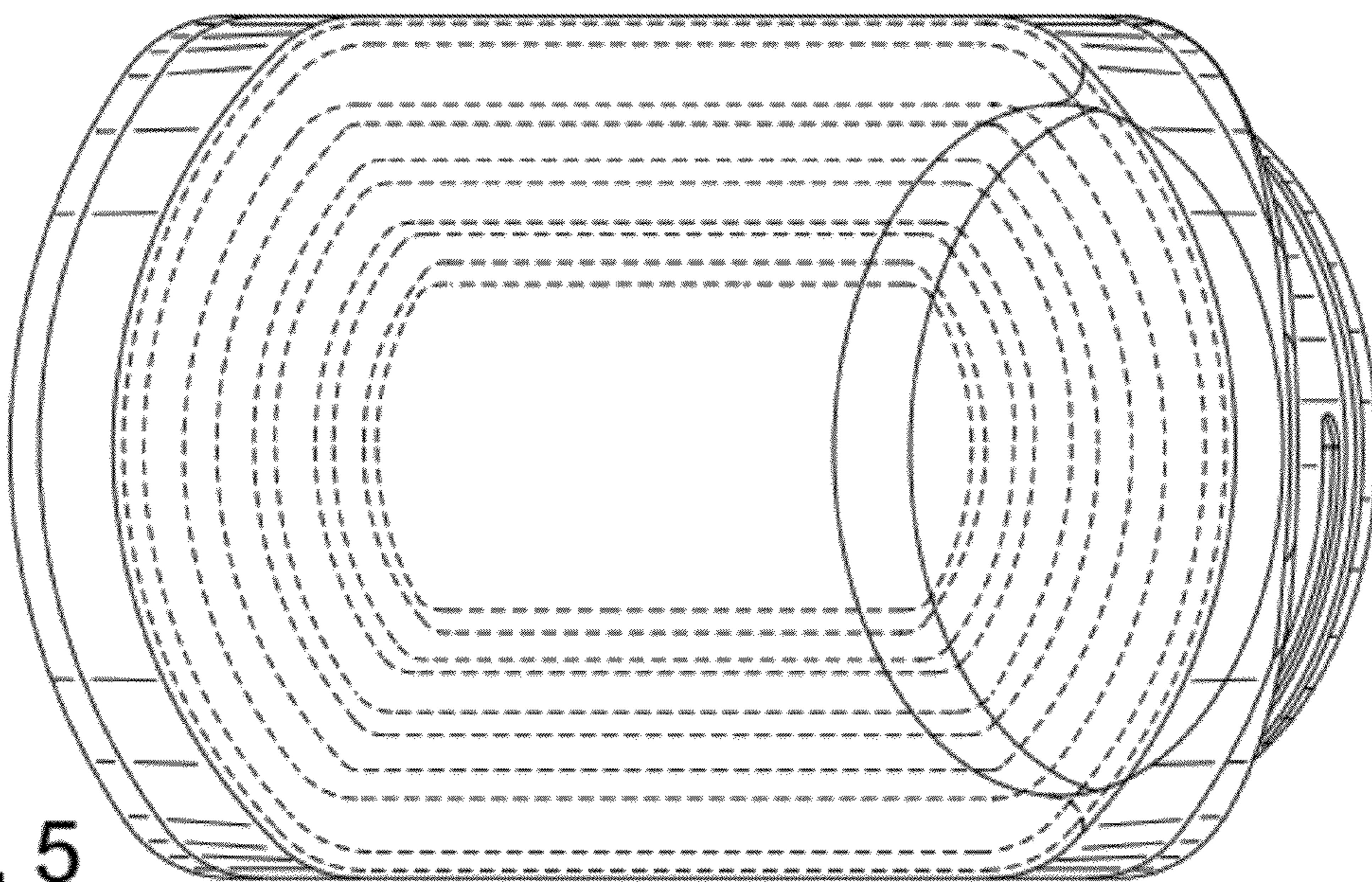


FIG. 5

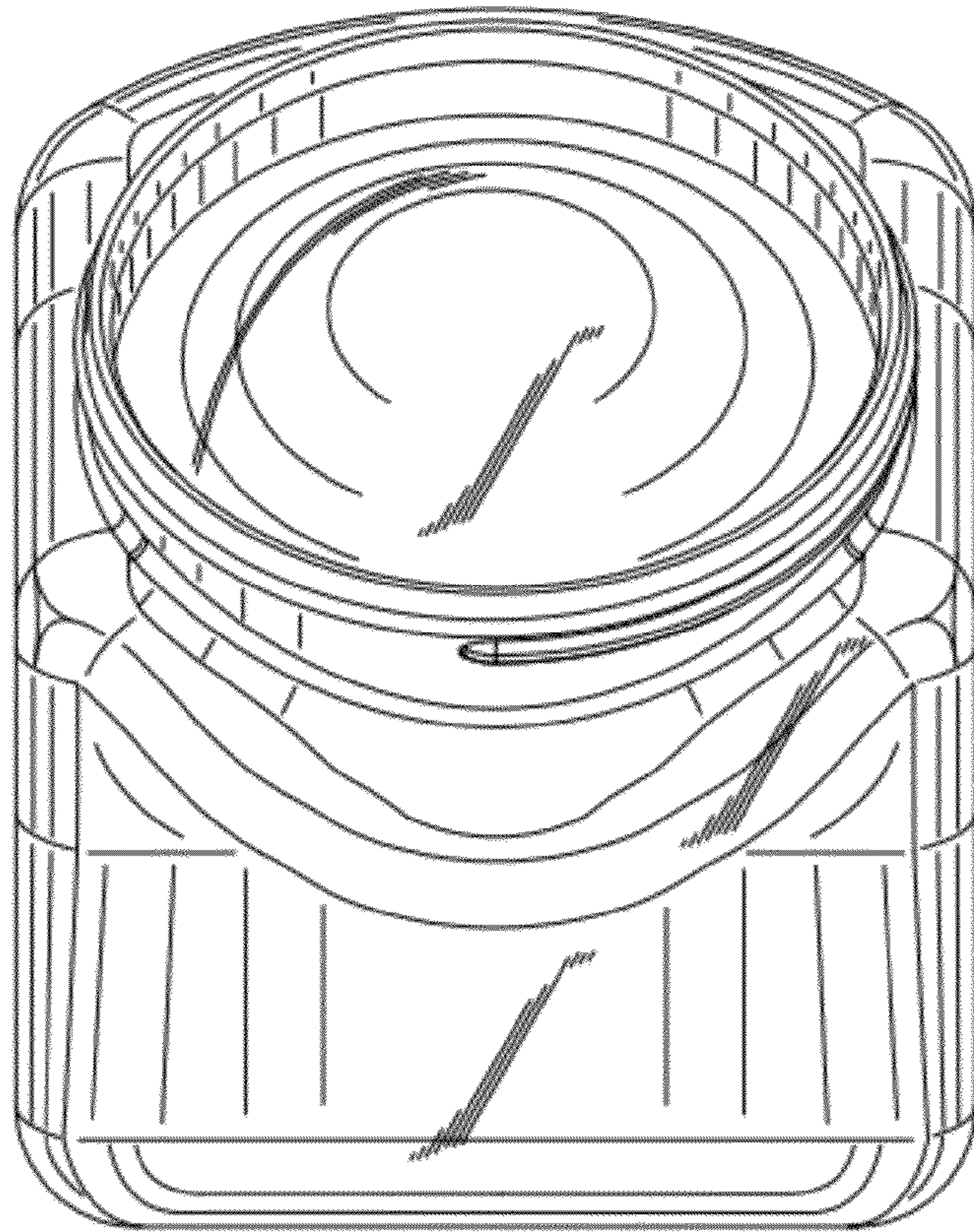


FIG. 6

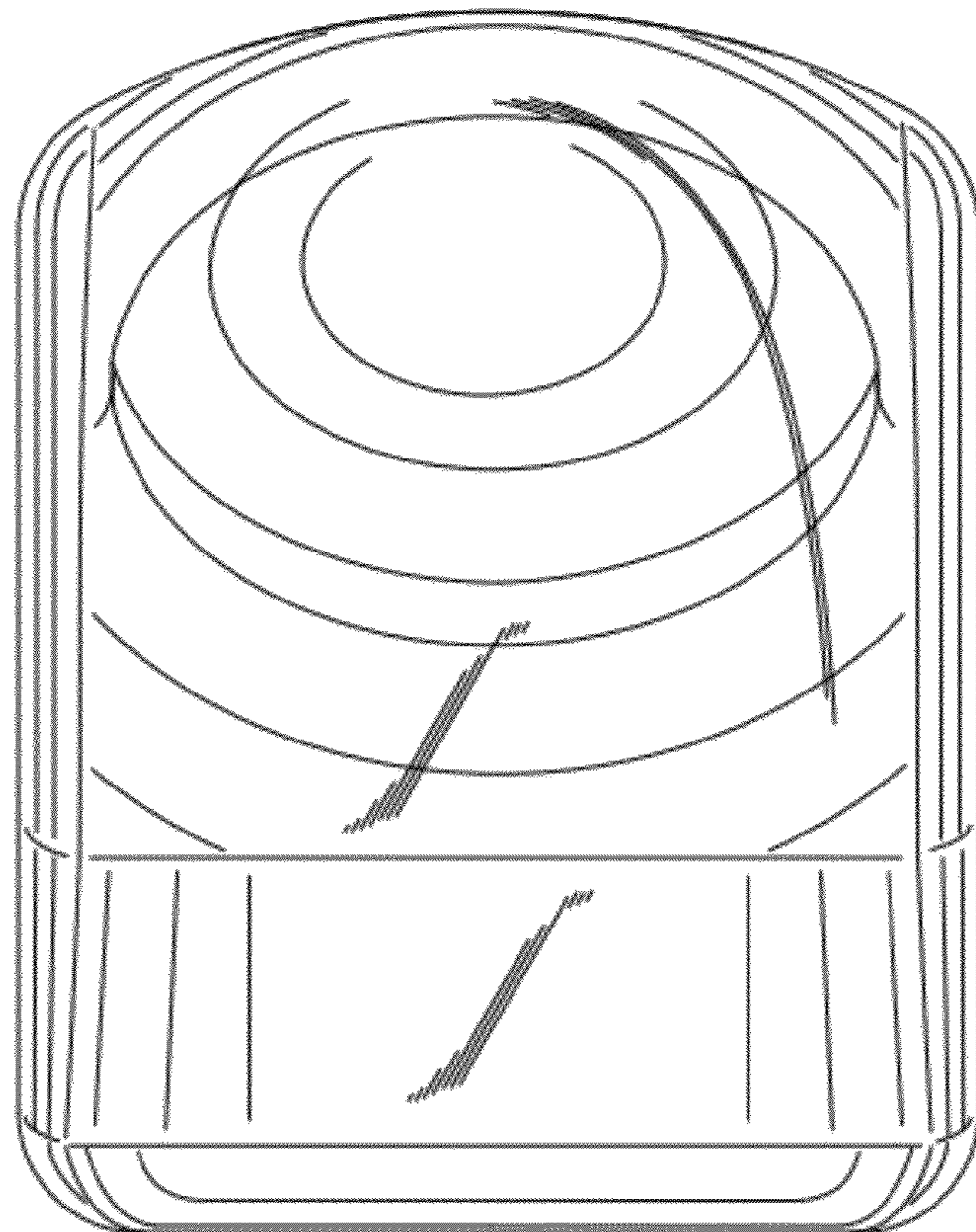


FIG. 7