

US00D662365S

(12) **United States Design Patent**  
**Howes**

(10) **Patent No.:** **US D662,365 S**  
(45) **Date of Patent:** **\*\* Jun. 26, 2012**

(54) **ICE CHEST WINE BOTTLE SLEEVE**

(76) Inventor: **Michael C. Howes**, Knightdale, NC  
(US)

(\*\*) Term: **14 Years**

(21) Appl. No.: **29/410,239**

(22) Filed: **Jan. 5, 2012**

(51) **LOC (9) Cl.** ..... **07-01**

(52) **U.S. Cl.** ..... **D7/603; D7/619.1**

(58) **Field of Classification Search** ..... D7/603-608,  
D7/619.1-625; 220/737, 739, 592.01, 592.17,  
220/592.16, 592.06, 592.2, 915.1, 915.2;  
62/457.1-457.8, 371, 372; 215/394-396,  
215/12.1, 12.2, 13.1

See application file for complete search history.

(56) **References Cited**

U.S. PATENT DOCUMENTS

4,037,428	A *	7/1977	Giannotti	.....	62/371
4,255,944	A *	3/1981	Gardner et al.	.....	62/457.8
4,444,324	A	4/1984	Grenell		
4,823,974	A	4/1989	Crosser		
4,961,324	A *	10/1990	Allan	.....	62/400

5,862,937	A	1/1999	Carrizales et al.		
RE37,213	E *	6/2001	Staggs	.....	62/457.3
6,474,096	B1 *	11/2002	de la Guardia	.....	62/457.3
D490,274	S *	5/2004	Irvine	.....	D7/603
7,415,839	B2	8/2008	Robertson		
D608,155	S *	1/2010	Jeffries	.....	D7/603
D621,665	S *	8/2010	Lion et al.	.....	D7/603
D634,981	S *	3/2011	Savarese	.....	D7/603
2006/0060592	A1 *	3/2006	Kamite	.....	220/737

\* cited by examiner

*Primary Examiner* — Terry Wallace

(74) *Attorney, Agent, or Firm* — RG Patent Consulting LLC

(57) **CLAIM**

I claim the ornamental design for an ice chest wine bottle sleeve, as shown and described.

**DESCRIPTION**

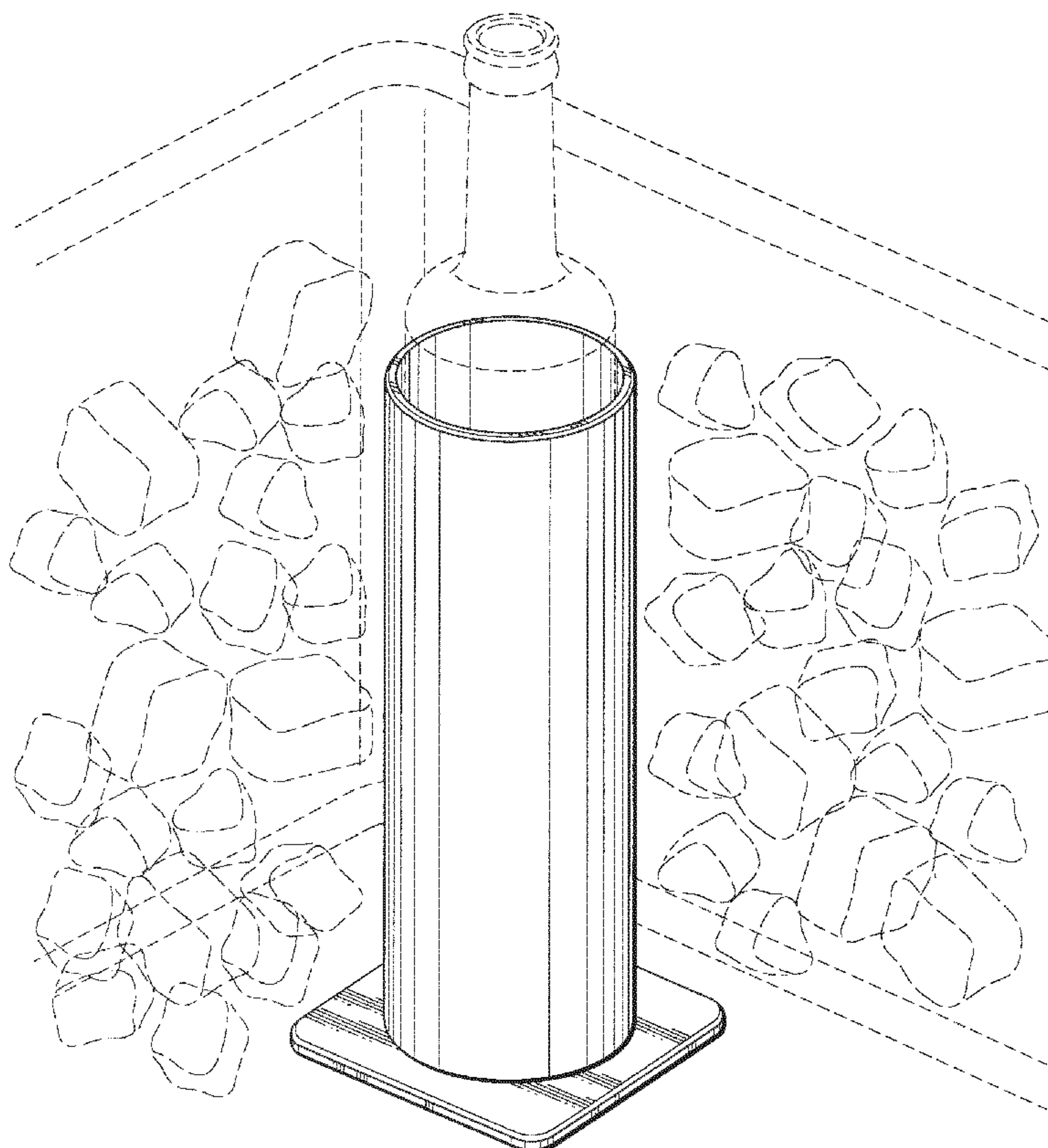
FIG. 1 is a front, top and side perspective view of the ice chest wine bottle sleeve embodying the design of the present invention, ice, chest and a bottle are shown but do not form part of the invention.

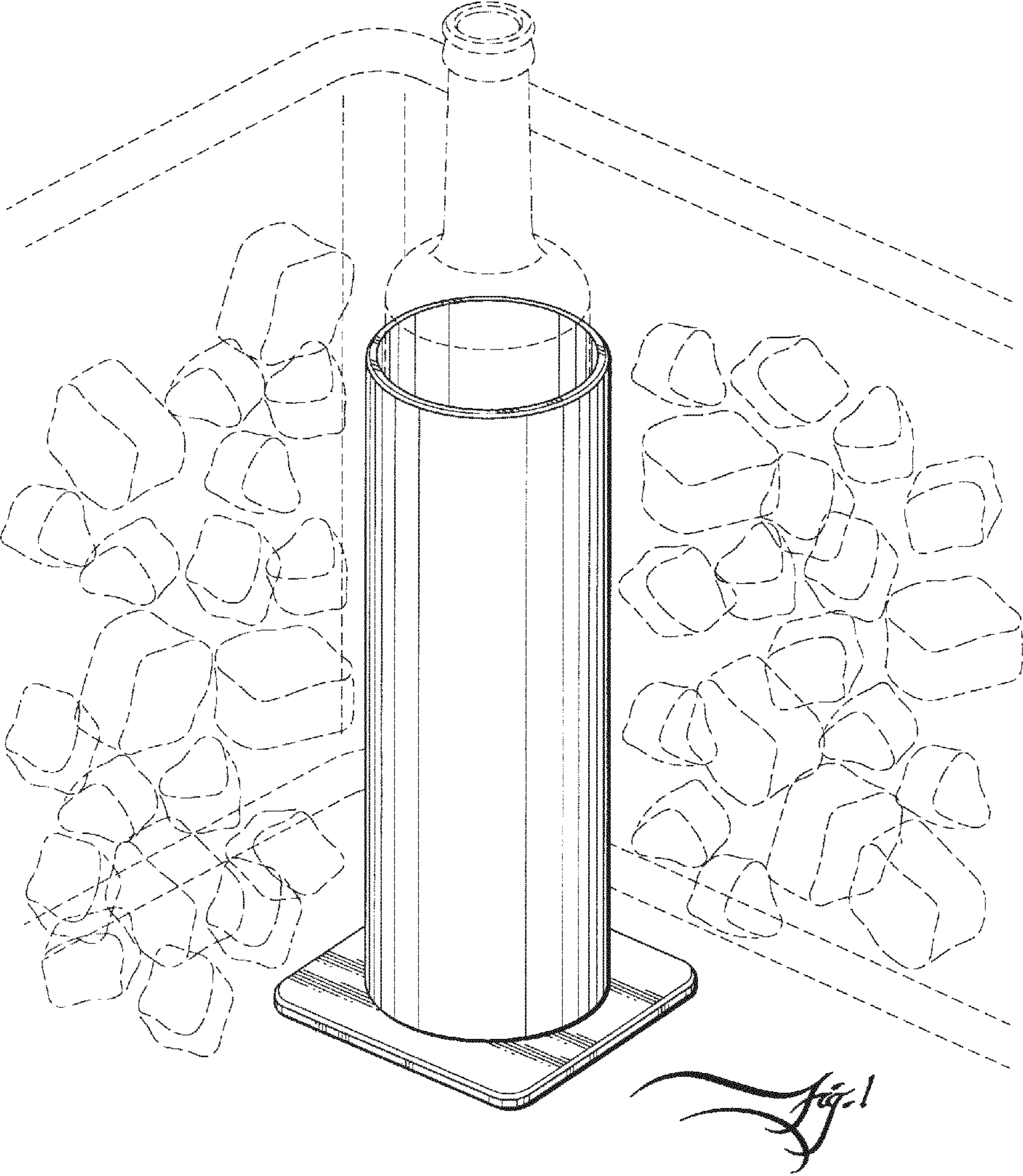
FIG. 2 is a typical elevational view thereof.

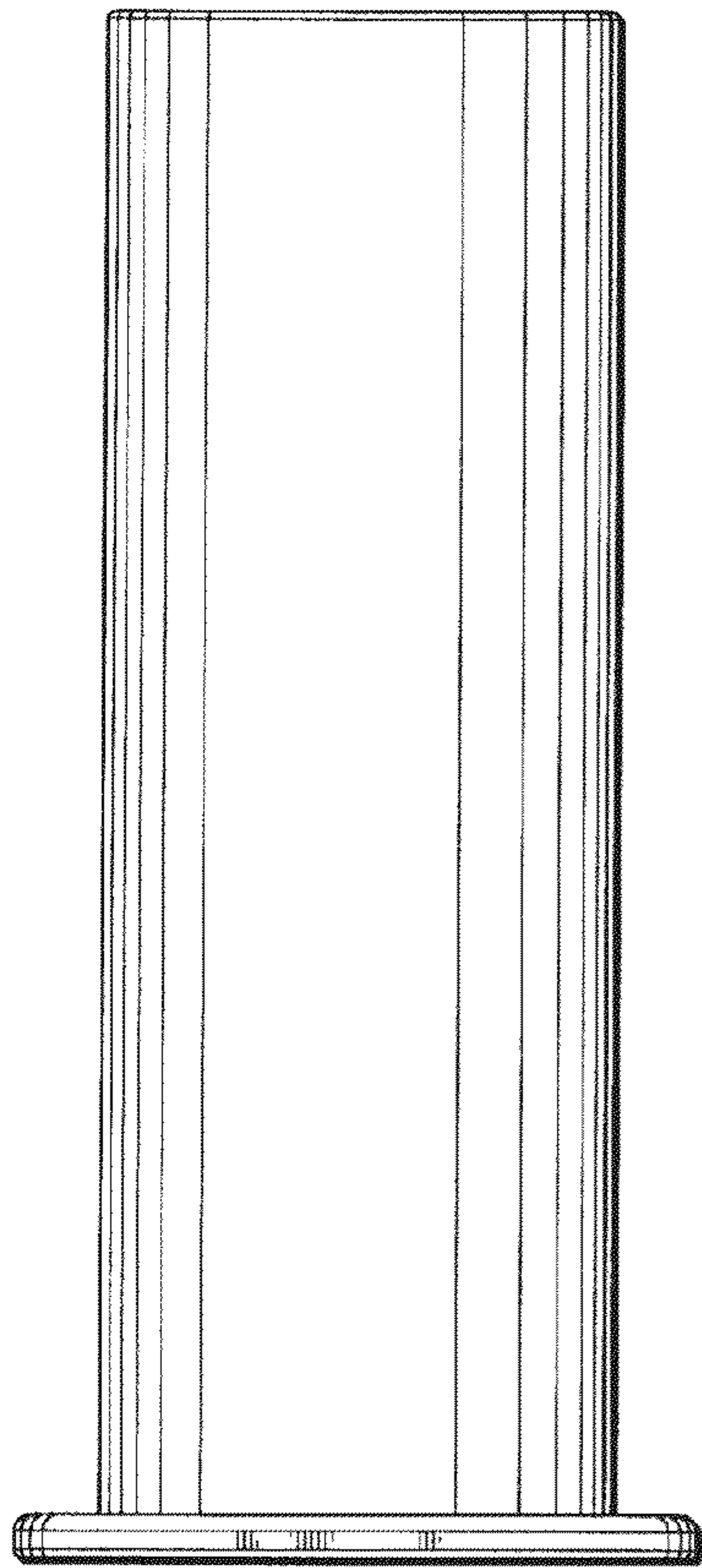
FIG. 3 is a top plan view thereof; and,

FIG. 4 is a bottom view thereof.

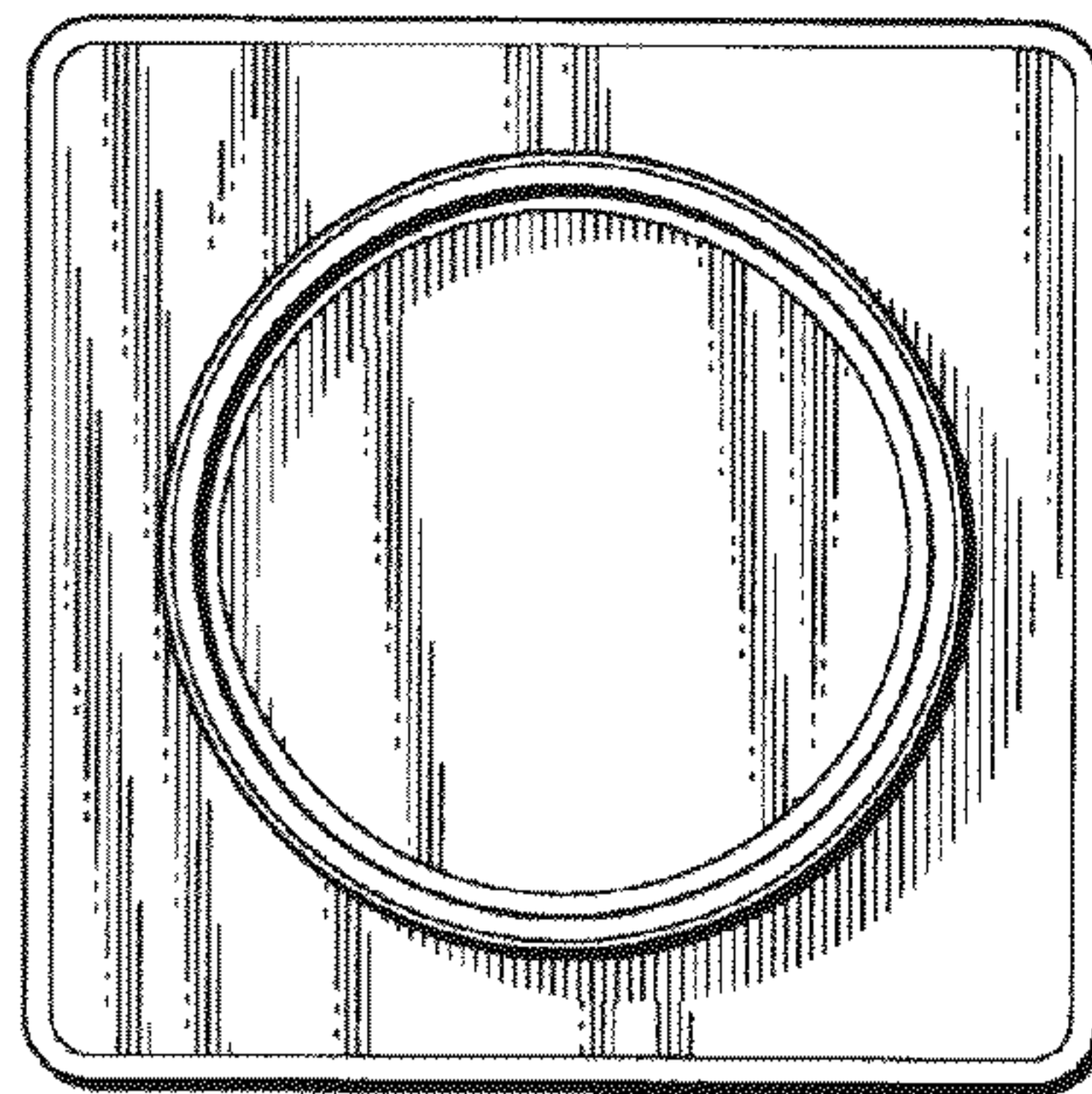
**1 Claim, 2 Drawing Sheets**



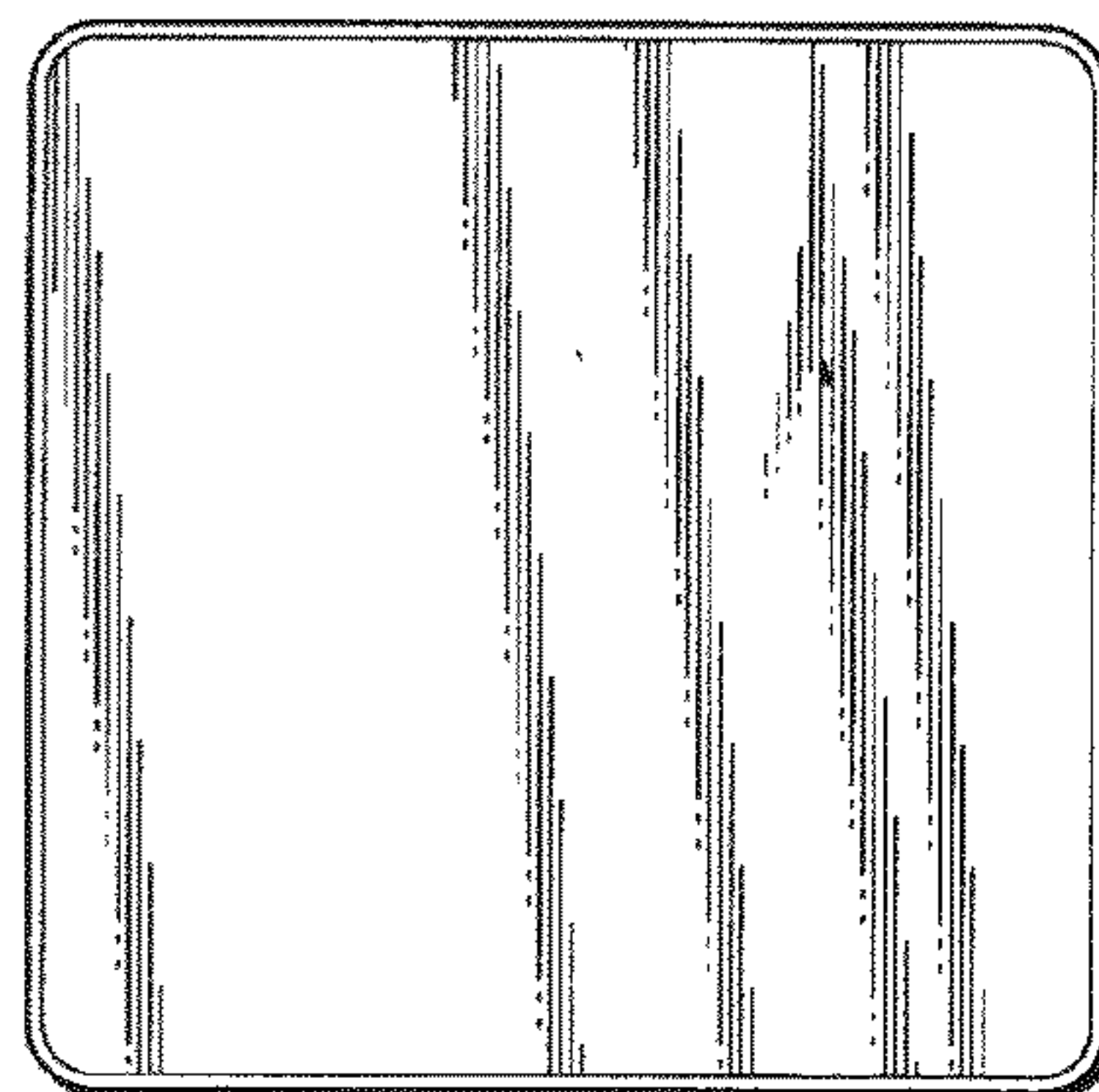




*Fig. 2*



*Fig. 3*



*Fig. 4*