

US00D662364S

(12) **United States Design Patent**
Arote

(10) **Patent No.:** **US D662,364 S**
(45) **Date of Patent:** **** Jun. 26, 2012**

(54) **PINEAPPLE HOLDER**

(76) Inventor: **Richard Arote**, Lynbrook, NY (US)

(**) Term: **14 Years**

(21) Appl. No.: **29/391,232**

(22) Filed: **May 5, 2011**

(51) **LOC (9) Cl.** **07-06**

(52) **U.S. Cl.** **D7/601**

(58) **Field of Classification Search** D7/601,
D7/619.1, 701, 707, 708, 637, 640, 641;
D6/449, 450, 466, 552; D8/71; 211/70.6,
211/70.7, 85.4, 133.6, 71.01, 74; 248/163.2,
248/167, 440.1, 116, 121, 176.1

See application file for complete search history.

(56) **References Cited**

U.S. PATENT DOCUMENTS

1,715,603 A * 6/1929 Kamman 211/85.4

5,396,993 A * 3/1995 Spitler 211/41.2
D389,703 S * 1/1998 Marts D7/601
D400,052 S * 10/1998 Thomas D7/601

* cited by examiner

Primary Examiner — Terry Wallace

(74) *Attorney, Agent, or Firm* — Robert M. Schwartz

(57) **CLAIM**

The ornamental design for a pineapple holder, as shown and described.

DESCRIPTION

FIG. 1 is a perspective view of a pineapple holder showing the new design.

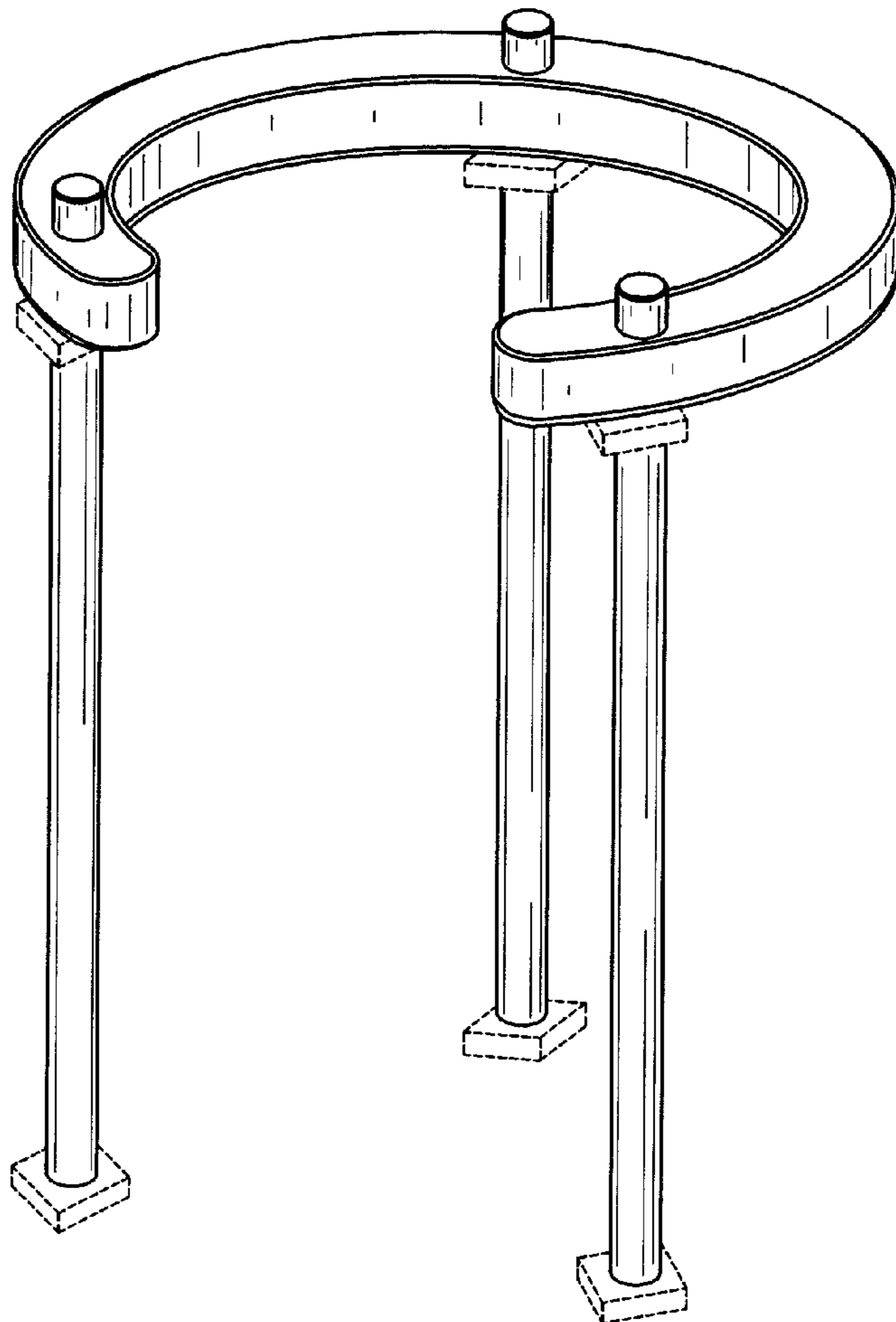
FIG. 2 is a top view of the pineapple holder of FIG. 1.

FIG. 3 is a bottom view of the pineapple holder of FIG. 1.

FIG. 4 is a front view of the pineapple holder of FIG. 1; and, FIG. 5 is a side view of the pineapple holder of FIG. 1.

The broken lines are for illustrative purposes only and form no part of the claimed design.

1 Claim, 5 Drawing Sheets



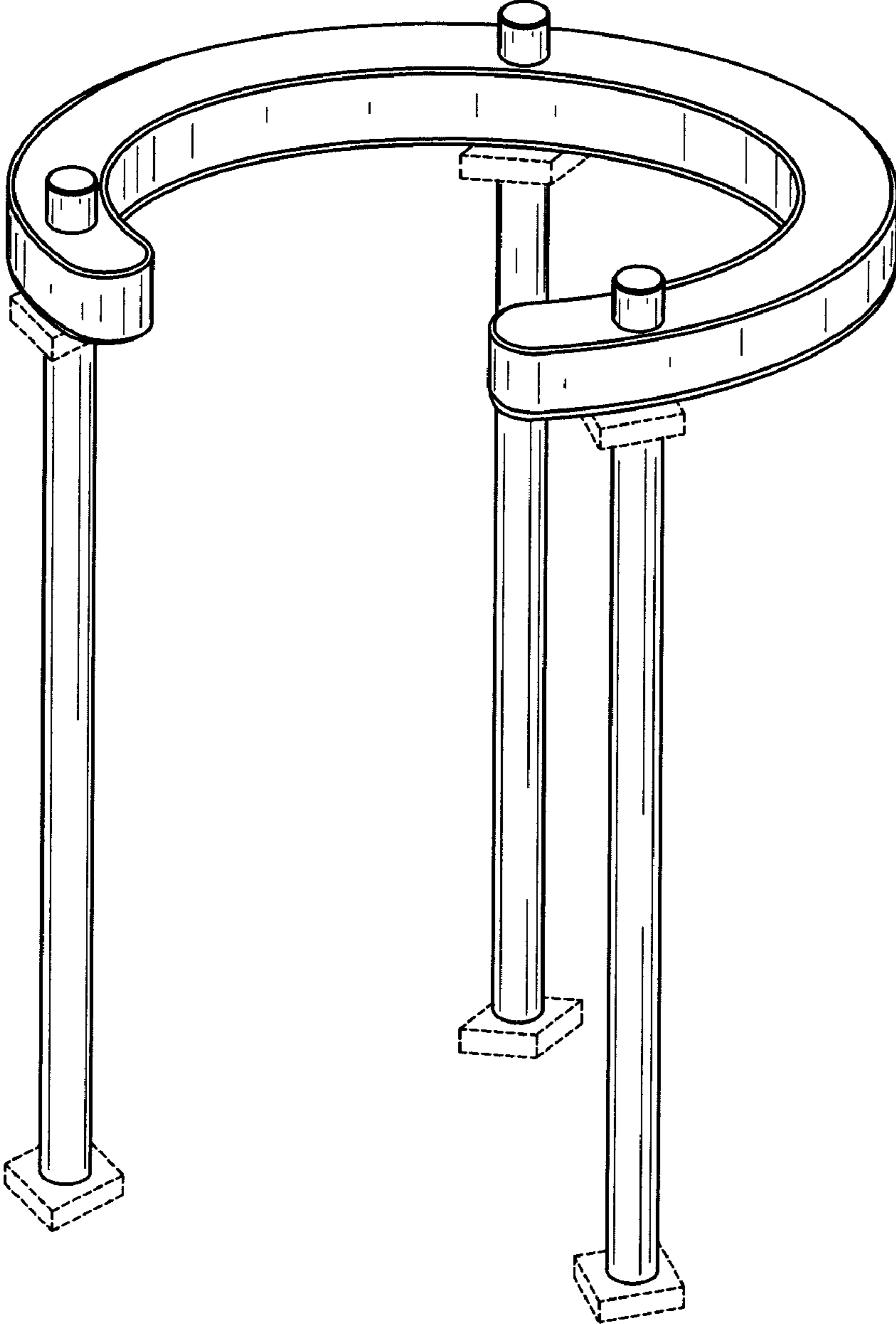


FIG.1

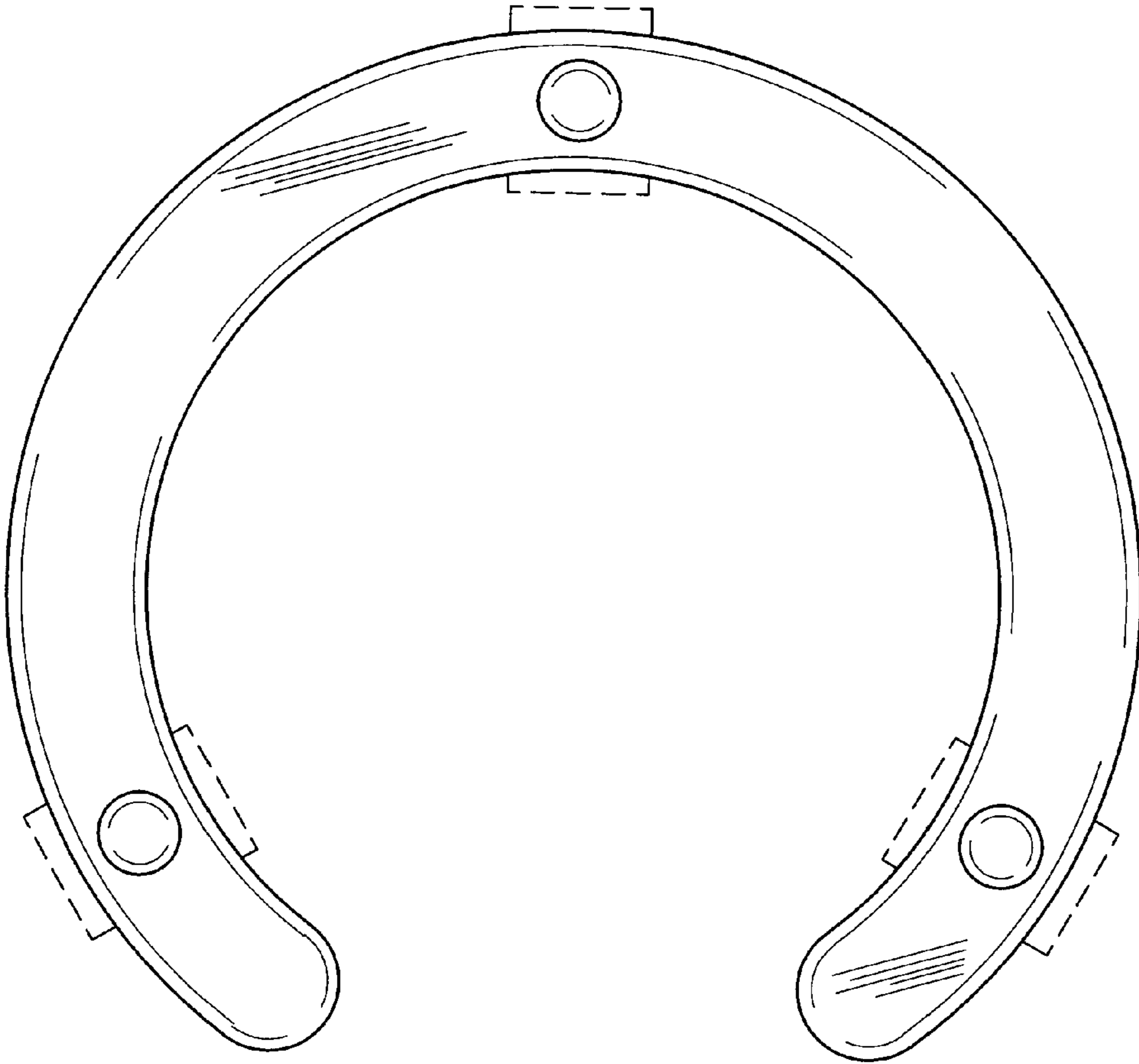


FIG.2

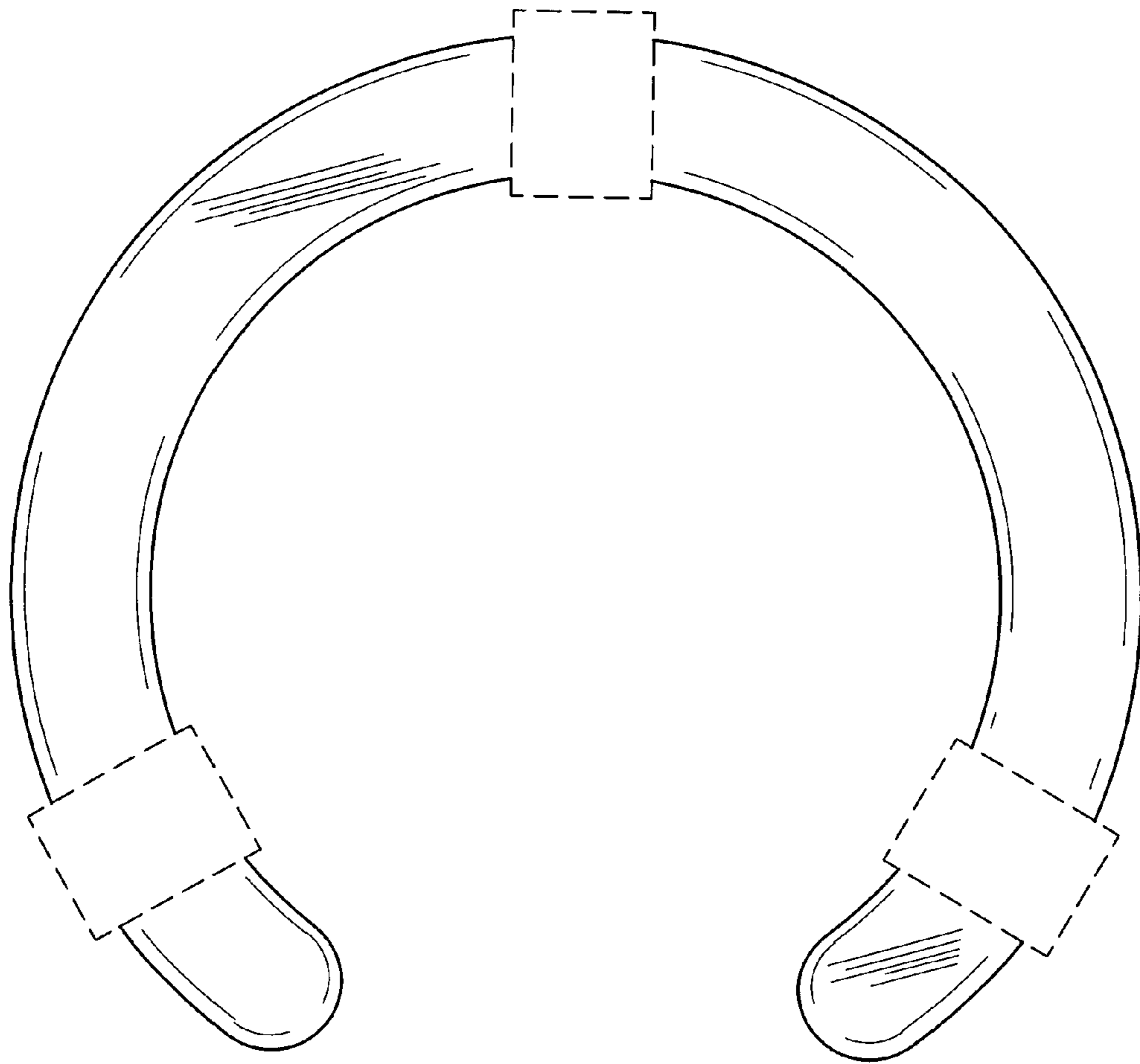


FIG.3

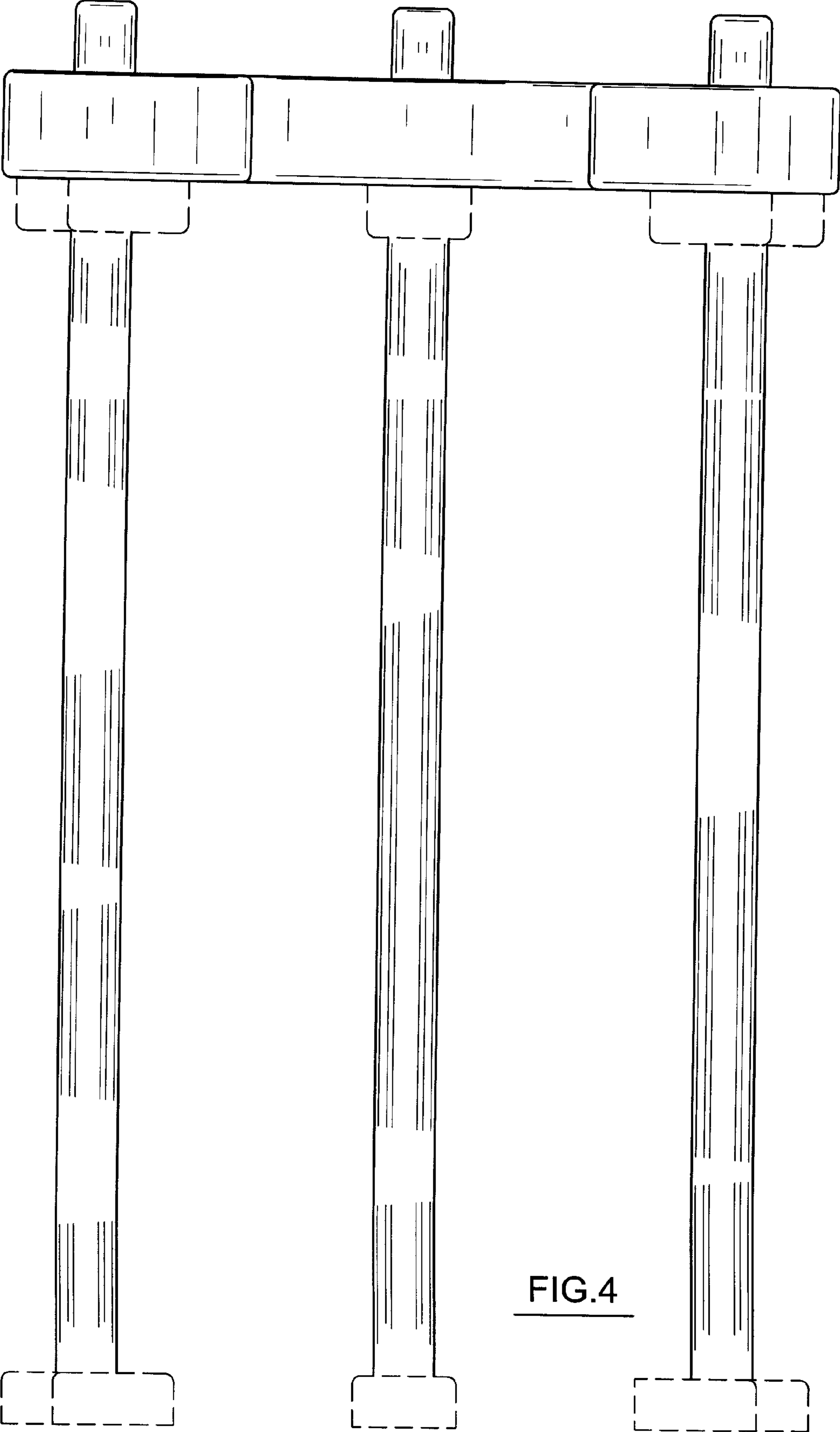


FIG.4

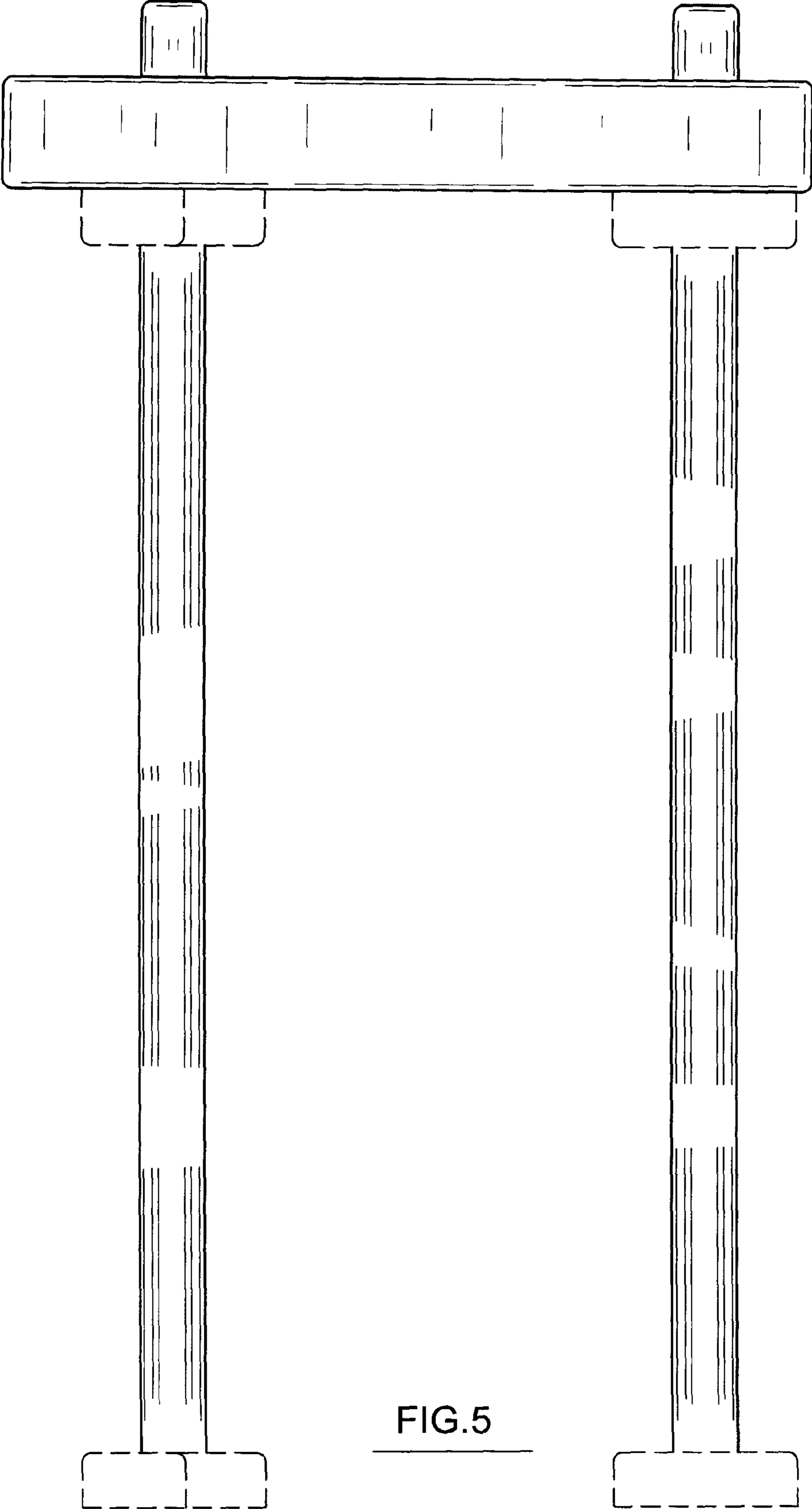


FIG.5