



US00D662352S

(12) **United States Design Patent**  
**Josancy**

(10) **Patent No.:** **US D662,352 S**  
(45) **Date of Patent:** **\*\* Jun. 26, 2012**

- (54) **ELECTRIC STEAM COOKER**
- (75) Inventor: **Luc Josancy**, Sainte-Colombe (FR)
- (73) Assignee: **SEB**, Selongey (FR)
- (\*\*) Term: **14 Years**
- (21) Appl. No.: **29/405,883**
- (22) Filed: **Nov. 8, 2011**

D435,392 S *	12/2000	Jo	.....	D7/356
D463,712 S *	10/2002	Josancy	.....	D7/356
D488,951 S *	4/2004	Josancy	.....	D7/356
D490,646 S *	6/2004	Chedal Anglay	.....	D7/356
D517,857 S *	3/2006	Poon	.....	D7/356
D536,210 S *	2/2007	Yeung	.....	D7/356
D547,598 S *	7/2007	Hasuike	.....	D7/356

\* cited by examiner

*Primary Examiner* — Ricky Pham  
(74) *Attorney, Agent, or Firm* — Loeb & Loeb LLP

(30) **Foreign Application Priority Data**

May 9, 2011 (FR) ..... 11 2369

- (51) **LOC (9) Cl.** ..... **07-02**
- (52) **U.S. Cl.** ..... **D7/357; D7/354; D7/356**
- (58) **Field of Classification Search** ..... D7/307,  
D7/323, 329–332, 339, 346–347, 350.1–350.4,  
D7/353–367, 391, 393, 395, 402, 406, 409,  
D7/538, 542; 99/324–325, 331–332, 337–343,  
99/369, 400–418, 422, 425, 444, 451, 483;  
126/37 R, 261, 374.1, 378.1; 206/501–505,  
206/507–508; 219/400, 405, 429–442, 620–624,  
219/725, 730–735; 220/203.05, 203.07,  
220/203.09, 298, 315–316, 573.1–573.5,  
220/912; 426/438, 441

See application file for complete search history.

(56) **References Cited**

**U.S. PATENT DOCUMENTS**

D297,100 S *	8/1988	Schaller	.....	D7/356
D347,356 S *	5/1994	Yim	.....	D7/360
D363,635 S *	10/1995	Cashin et al.	.....	D7/354
D376,067 S *	12/1996	Littmann	.....	D7/360
D380,341 S *	7/1997	Naft et al.	.....	D7/354
D404,244 S *	1/1999	Jozancy	.....	D7/354

(57) **CLAIM**

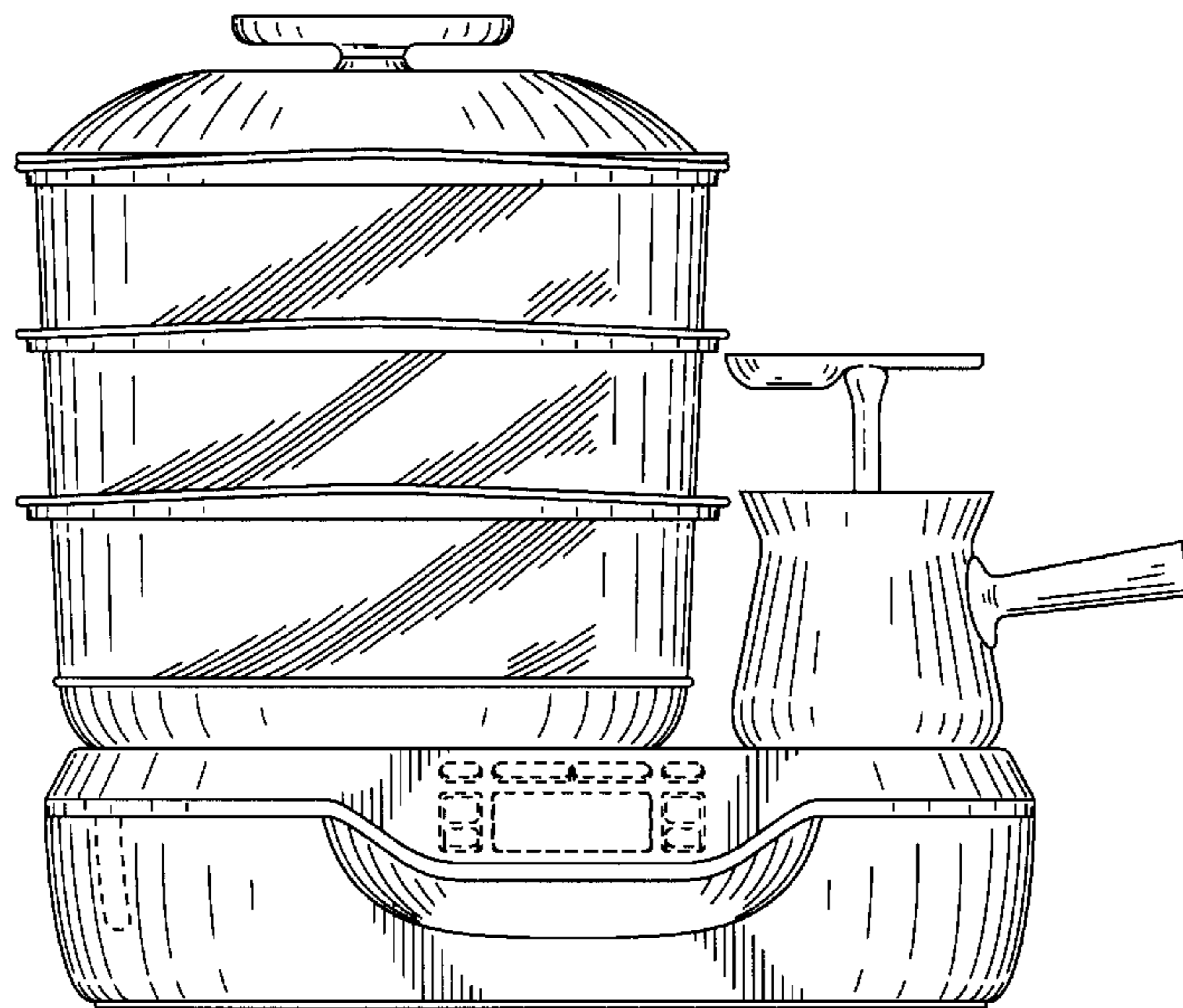
The ornamental design for an electric steam cooker, as shown and described.

**DESCRIPTION**

FIG. 1 is a front elevational view of an embodiment of an electric steam cooker.  
 FIG. 2 is a back elevational view of the electric steam cooker of FIG. 1.  
 FIG. 3 is a left side elevational view of the electric steam cooker of FIG. 1.  
 FIG. 4 is a right side elevational view of the electric steam cooker of FIG. 1.  
 FIG. 5 is a top plan view of the electric steam cooker of FIG. 1.  
 FIG. 6 is bottom plan view of the electric steam cooker of FIG. 1; and,  
 FIG. 7 is a perspective view of the electric steam cooker of FIG. 1.

The broken lines appearing in the figures are for the purpose of illustrating the environmental structure of the article of the claimed design and form no part of the claimed design.

**1 Claim, 7 Drawing Sheets**



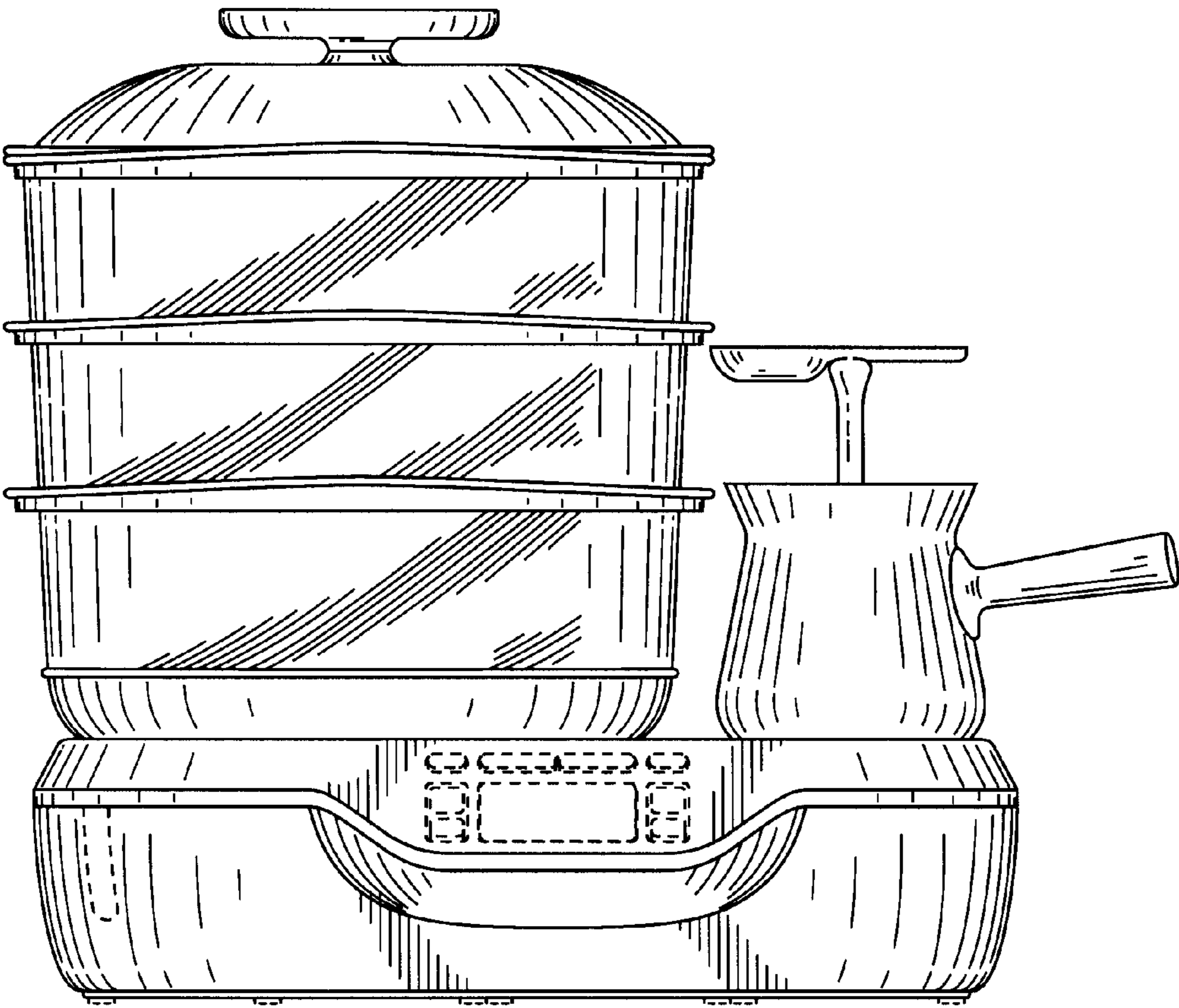


Fig. 1

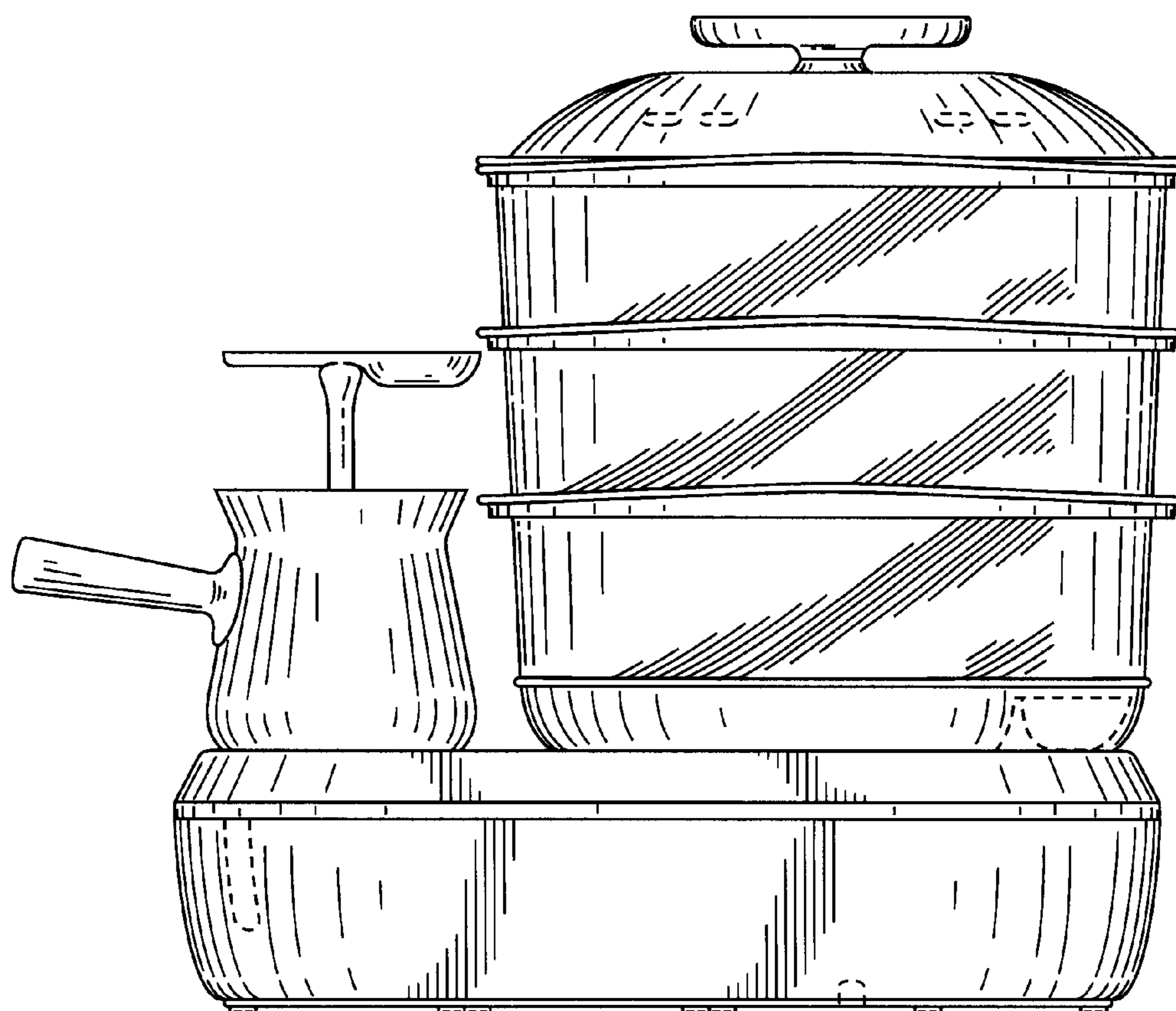


Fig. 2

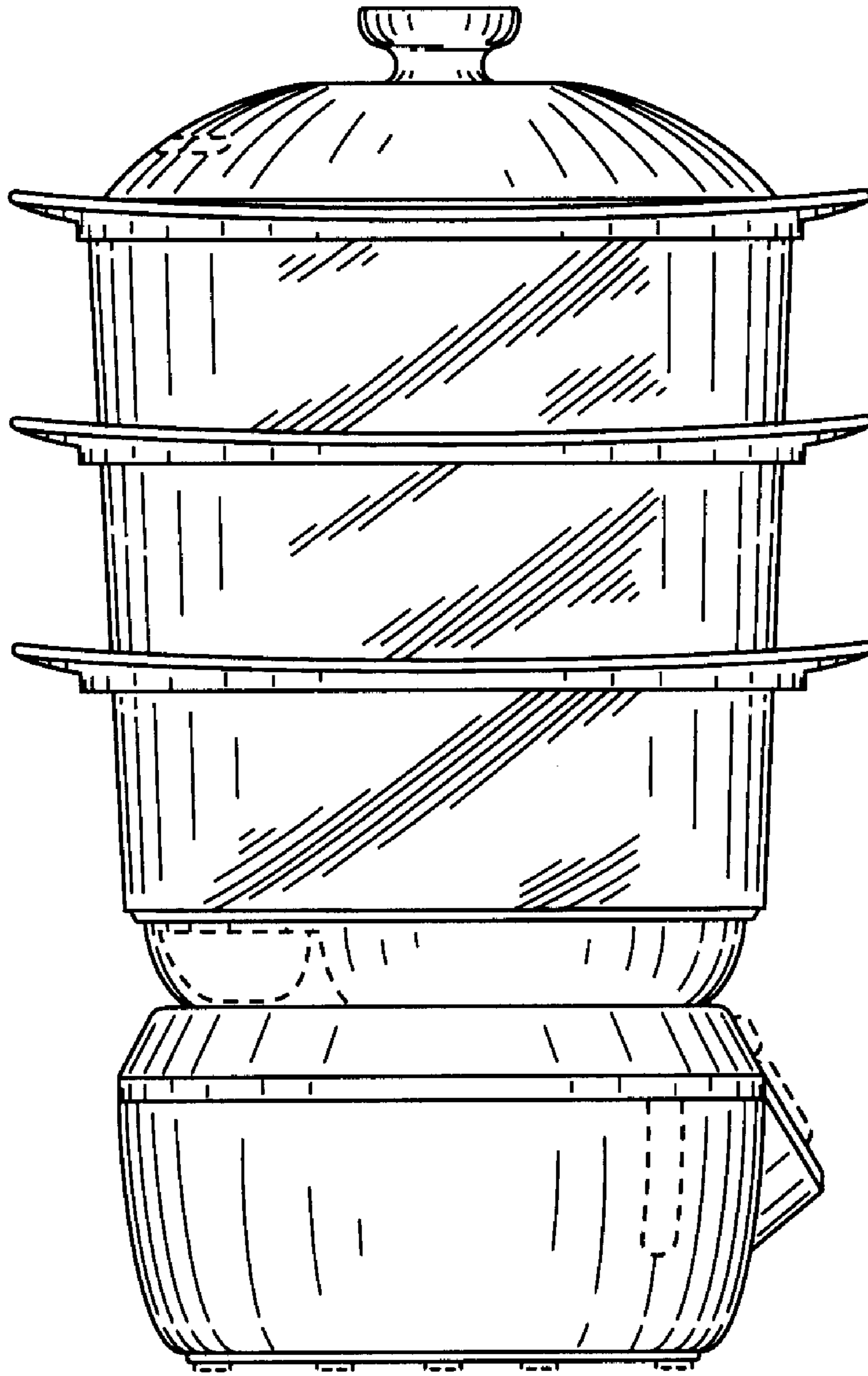


Fig. 3

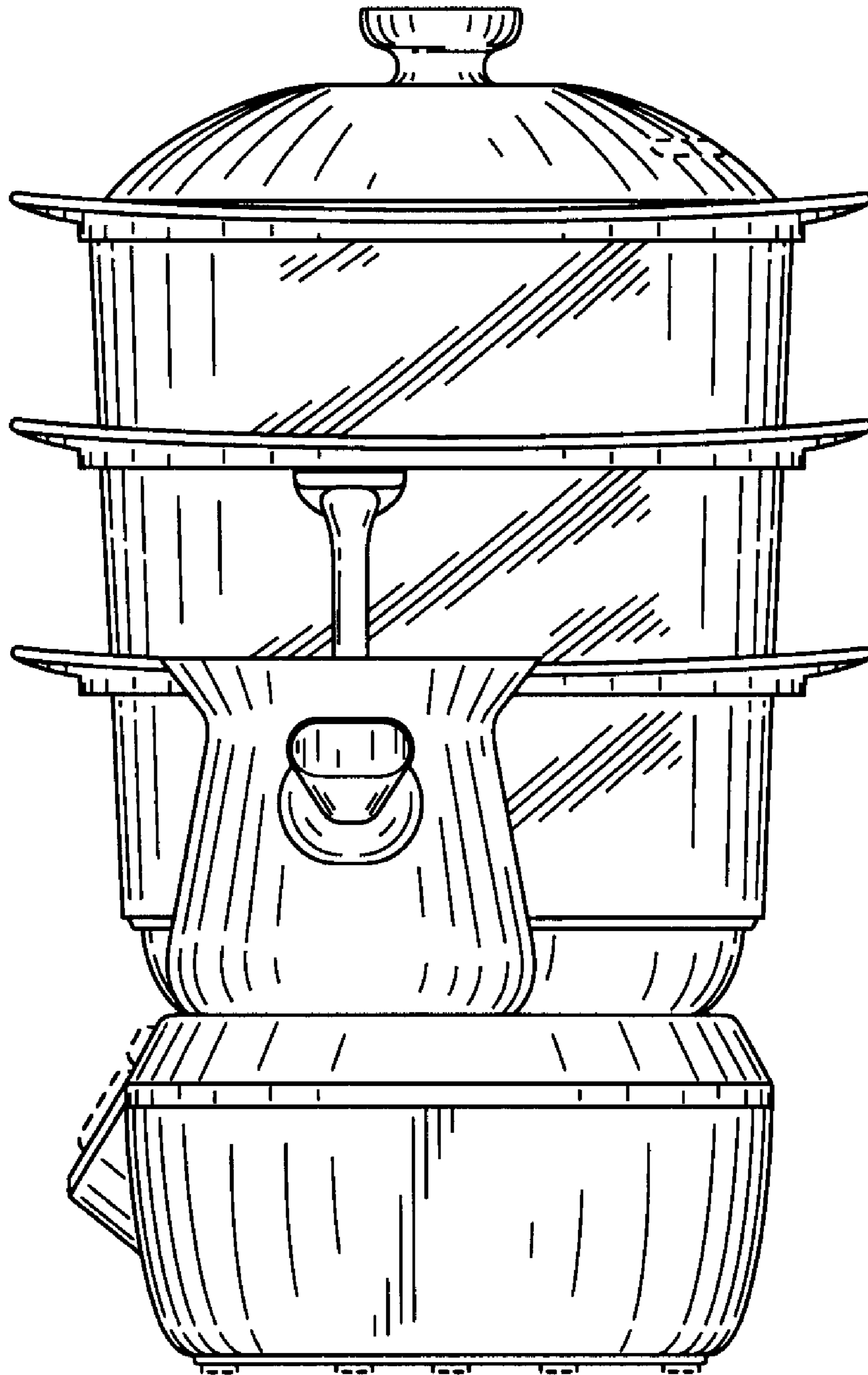


Fig. 4

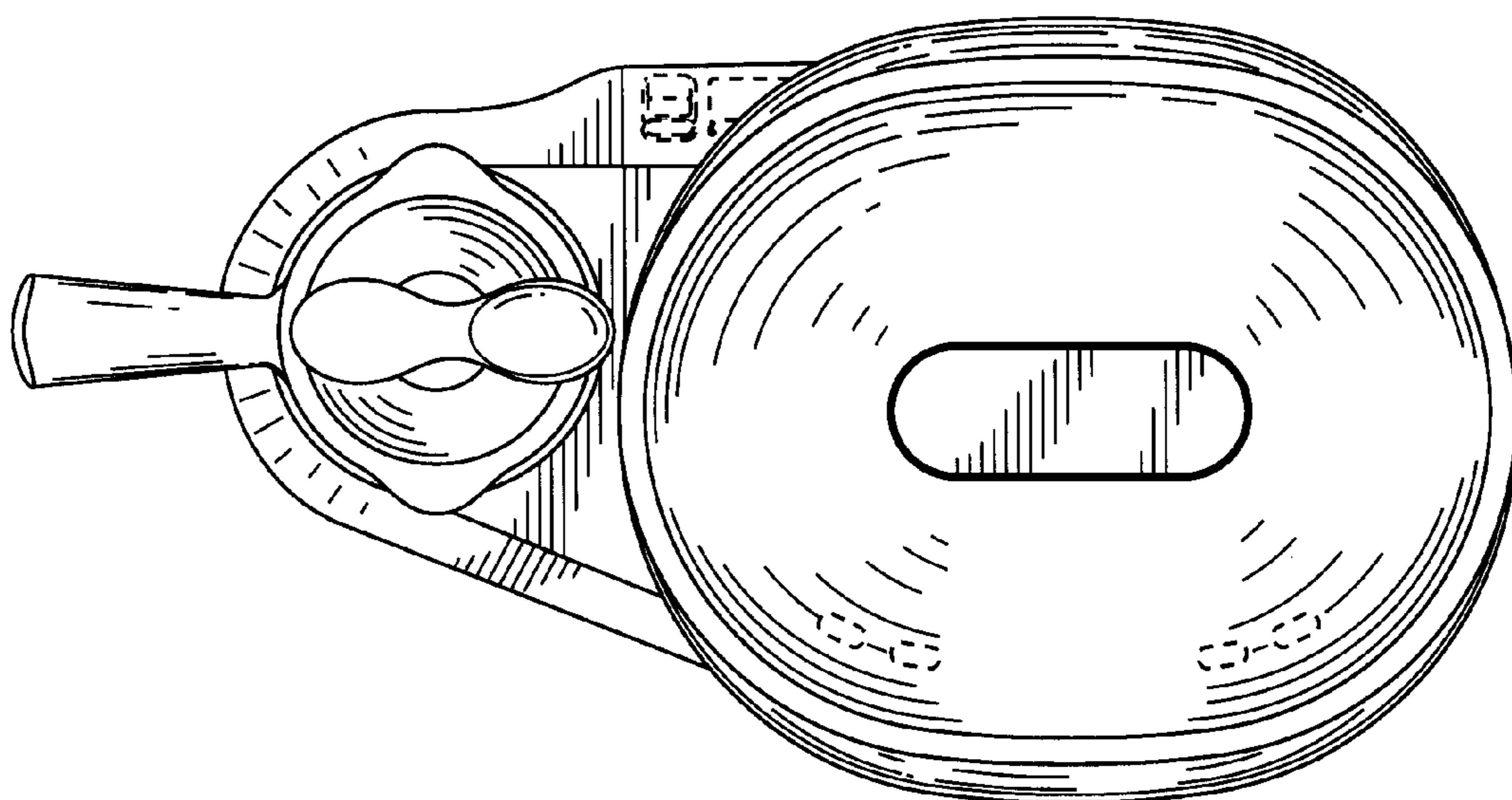


Fig. 5

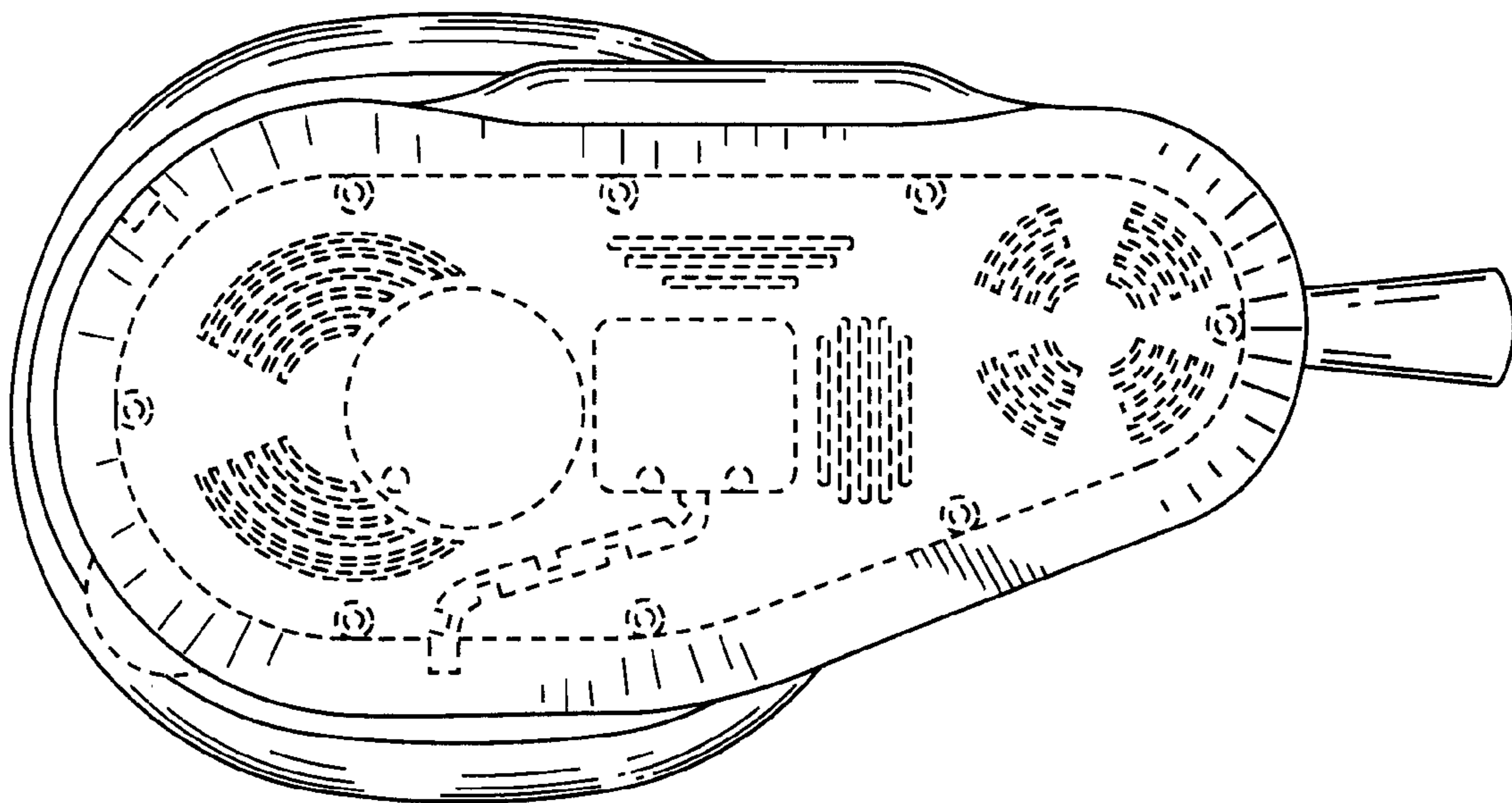


Fig. 6

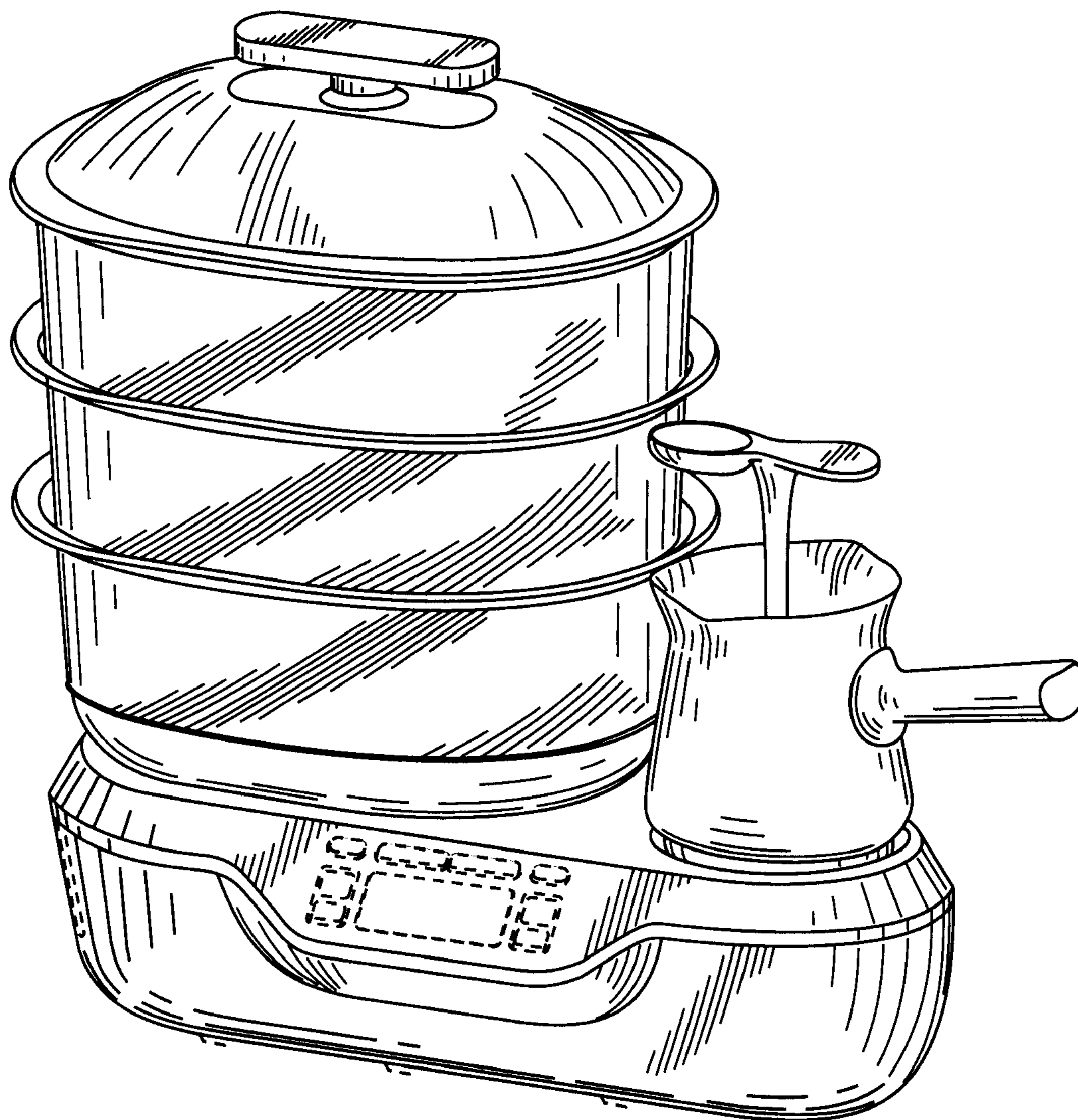


Fig. 7



UNITED STATES PATENT AND TRADEMARK OFFICE  
**CERTIFICATE OF CORRECTION**

PATENT NO. : D662,352 S  
APPLICATION NO. : 29/405883  
DATED : June 26, 2012  
INVENTOR(S) : Luc Jozancy

Page 1 of 1

It is certified that error appears in the above-identified patent and that said Letters Patent is hereby corrected as shown below:

Title Page:

Below Item (12), delete "Josancy" and replace with --Jozancy--.

Item (75), delete "Josancy" and replace with --Jozancy--.

Signed and Sealed this  
Eleventh Day of February, 2014



Michelle K. Lee  
*Deputy Director of the United States Patent and Trademark Office*