

US00D662350S

(12) **United States Design Patent**
Lee

(10) **Patent No.:** **US D662,350 S**
(45) **Date of Patent:** **** Jun. 26, 2012**

(54) **DISPOSABLE PAPER COOKING POT**
(76) Inventor: **Sang Gen Lee**, Montrose, CA (US)
(**) Term: **14 Years**
(21) Appl. No.: **29/402,601**
(22) Filed: **Sep. 24, 2011**
(51) **LOC (9) Cl.** **07-02**
(52) **U.S. Cl.** **D7/354**
(58) **Field of Classification Search** D7/323,
D7/329-332, 337, 339, 346-347, 350.1-350.4,
D7/354-363, 391, 393, 395, 402, 409, 538,
D7/541-546, 554.2, 552.2, 553.3, 585-587,
D7/602, 629, 676, 682; D9/430; 99/279,
99/324-325, 330-332, 337-340, 369, 403-425,
99/444, 450; 126/25 A, 41 R, 275 R, 380.1,
126/390.1; 206/8, 501-505, 507-508; 219/400,
219/405, 435-442, 620-624, 754-755; 220/4.26,
220/485, 491, 532, 543, 573.1-573.5, 574,
220/607, 658, 759, 771, 912; 229/5.5, 108.1,
229/109, 125.19; 426/107, 389, 509; 446/5
See application file for complete search history.

3,873,017 A * 3/1975 Blatt 229/108.1
4,166,567 A * 9/1979 Beach et al. 229/108.1
5,247,149 A * 9/1993 Peleg 219/729
5,536,194 A * 7/1996 Larsen et al. 446/5
D397,294 S * 8/1998 Saulas D9/430
5,900,264 A * 5/1999 Gics 426/107
5,948,308 A * 9/1999 Wischusen, III 219/730
6,359,272 B1 * 3/2002 Sadek et al. 219/732

* cited by examiner

Primary Examiner — Ricky Pham
(74) *Attorney, Agent, or Firm* — QuickPatents, Inc.; Kevin Prince

(57) **CLAIM**
I claim the ornamental design for a disposable paper cooking pot, as shown and described.

DESCRIPTION

FIG. 1 is a top plan view of a disposable paper cooking pot showing my new design in a flat configuration;
FIG. 2 is a perspective view thereof, illustrated in a folded configuration;
FIG. 3 is a top plan view of FIG. 2;
FIG. 4 is a bottom plan view of FIG. 2;
FIG. 5 is a rear elevational view of FIG. 2;
FIG. 6 is a left-side elevational view of FIG. 2, the right-side elevational view being a mirror image thereof; and,
FIG. 7 is a front elevational view of FIG. 2.
The broken lines showing a cover in FIG. 2 depict environmental matter and form no part of the claimed design. The remaining broken lines in FIG. 1 represent score lines.

(56) **References Cited**
U.S. PATENT DOCUMENTS
1,451,963 A * 4/1923 Scruby 229/125.19
2,019,787 A * 11/1935 Leopold 229/108.1
2,726,803 A * 12/1955 Ketler 229/5.5
3,261,533 A * 7/1966 Repking 229/109
3,422,951 A * 1/1969 Ragsdale et al. 206/8

1 Claim, 3 Drawing Sheets

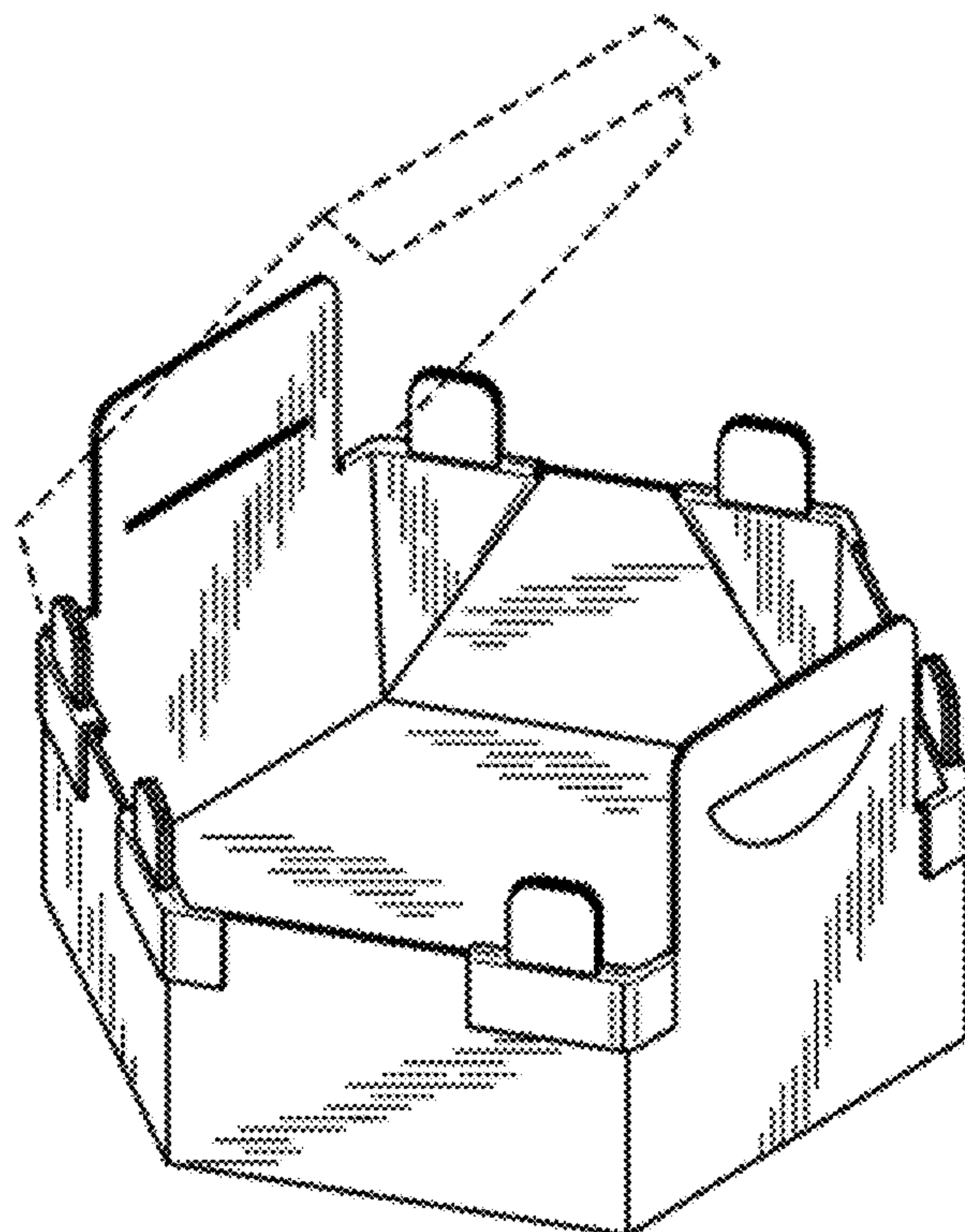


FIG. 2

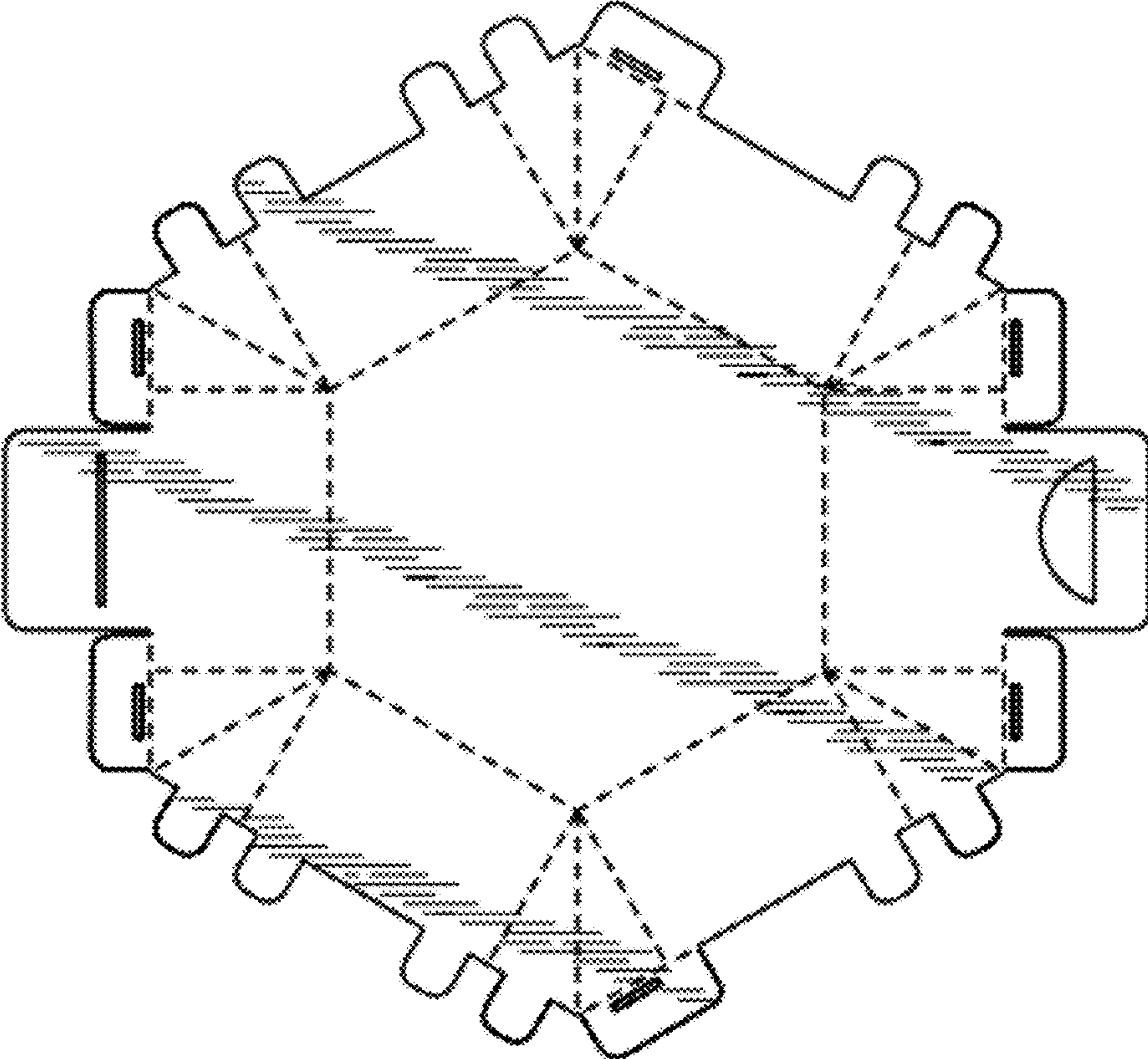
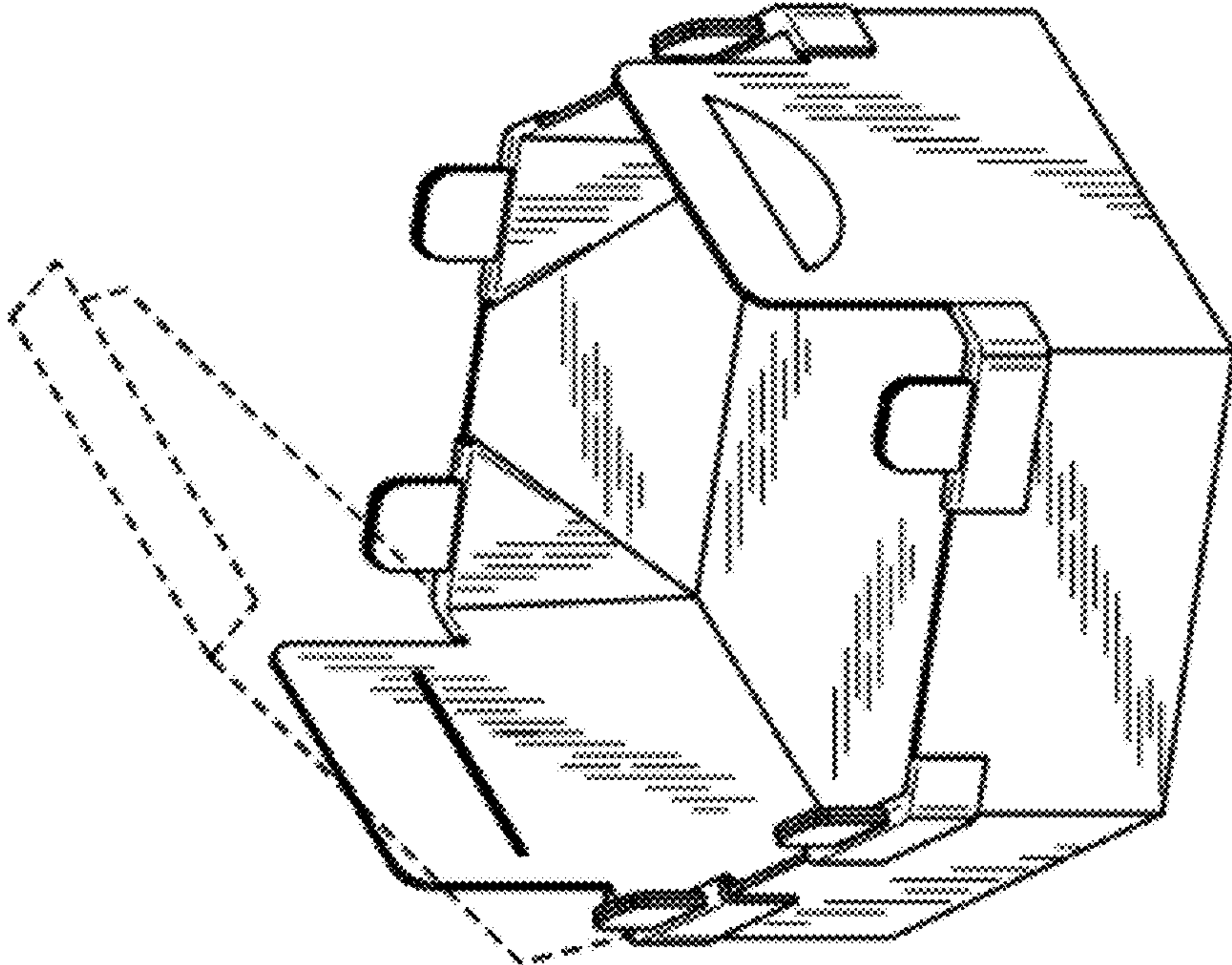


FIG. 1

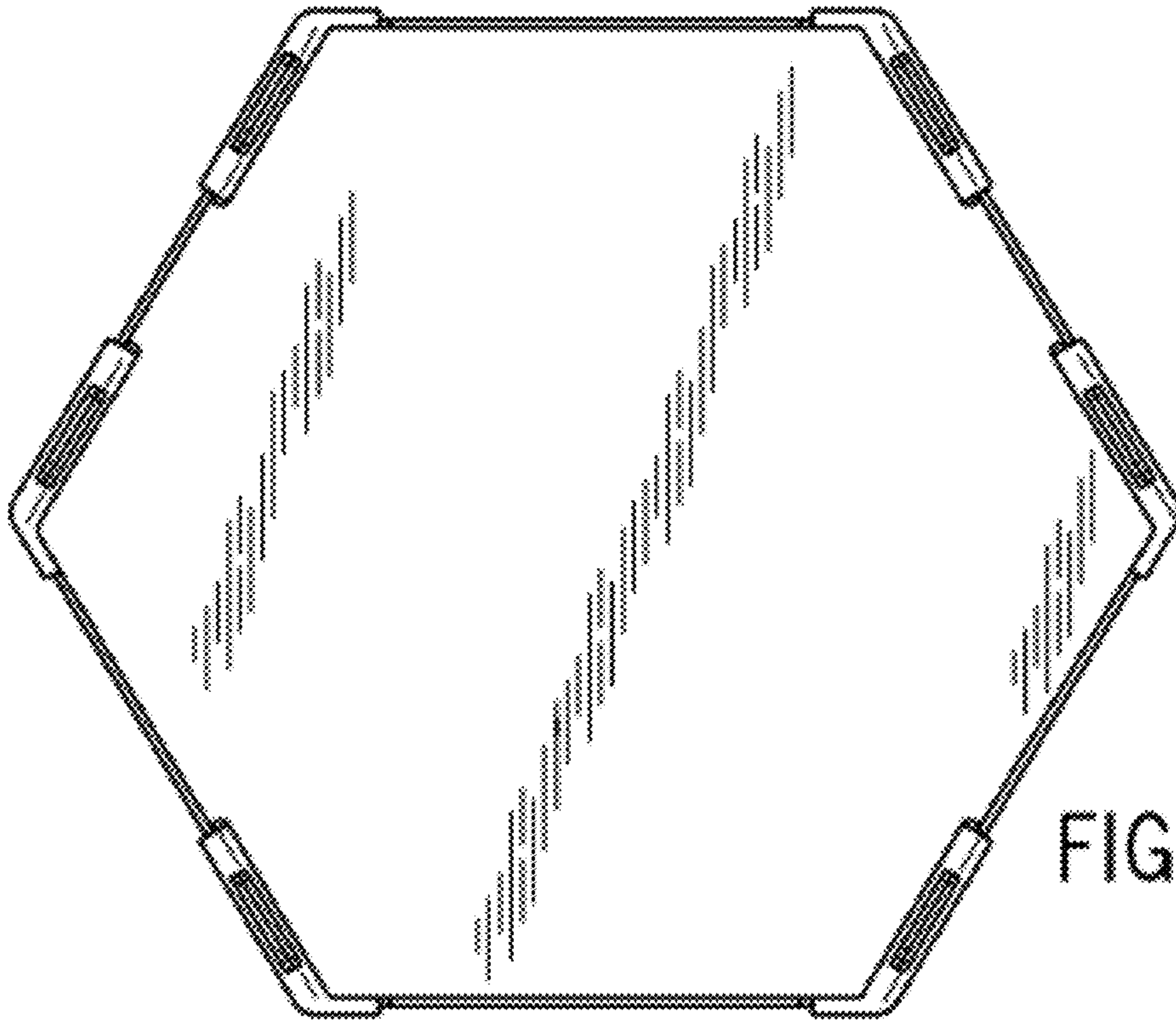


FIG. 3

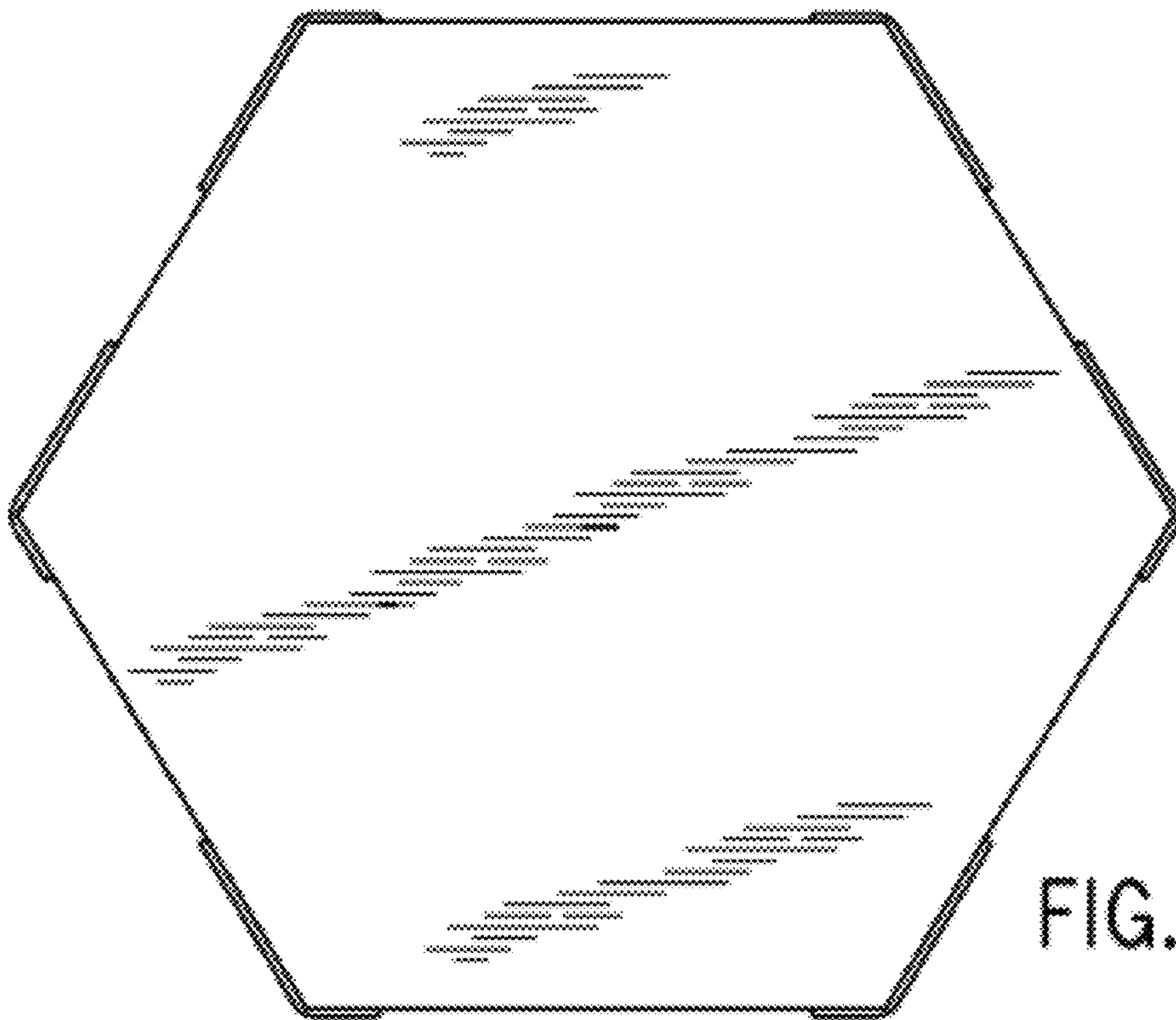


FIG. 4

FIG. 5

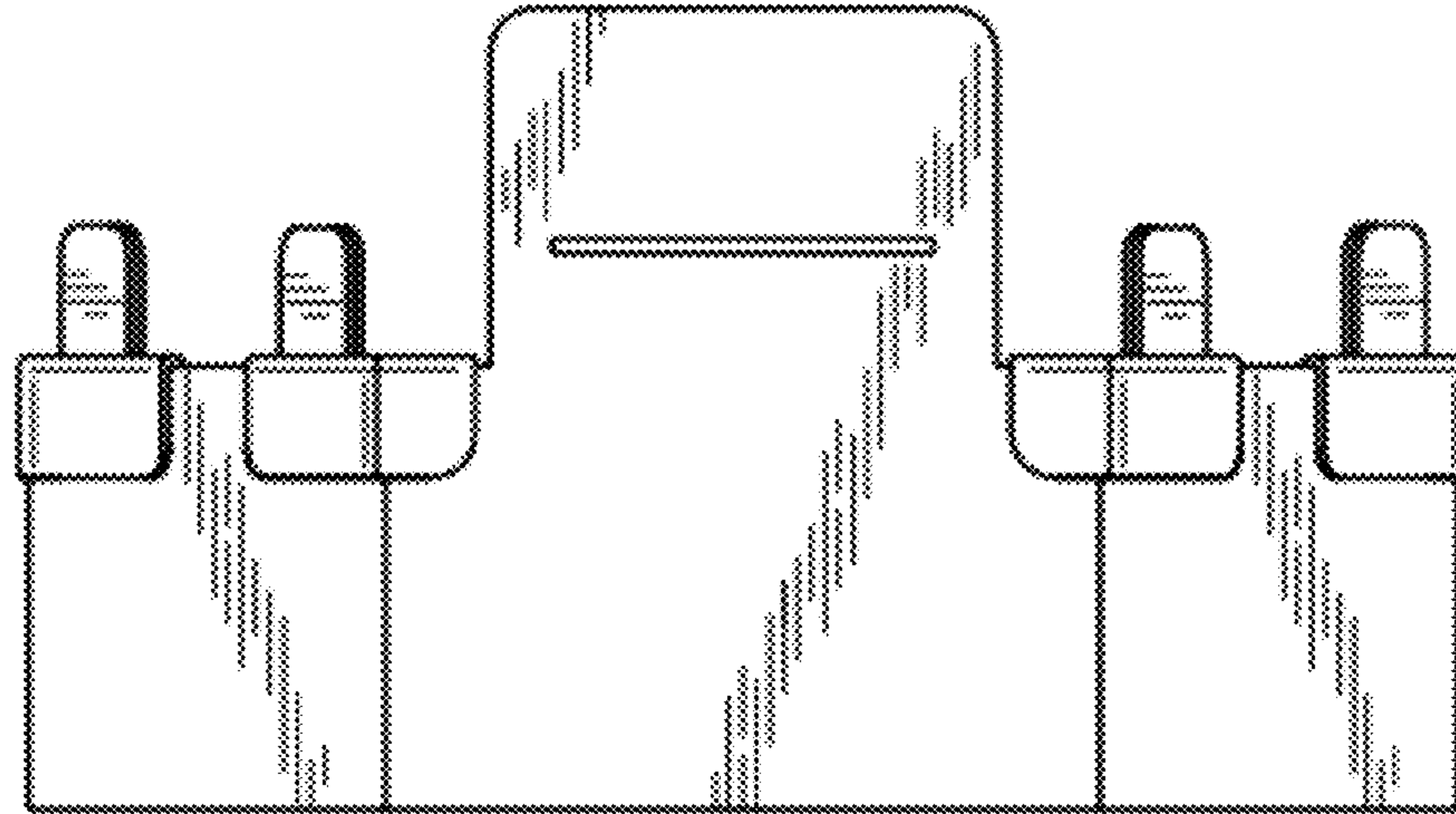


FIG. 6

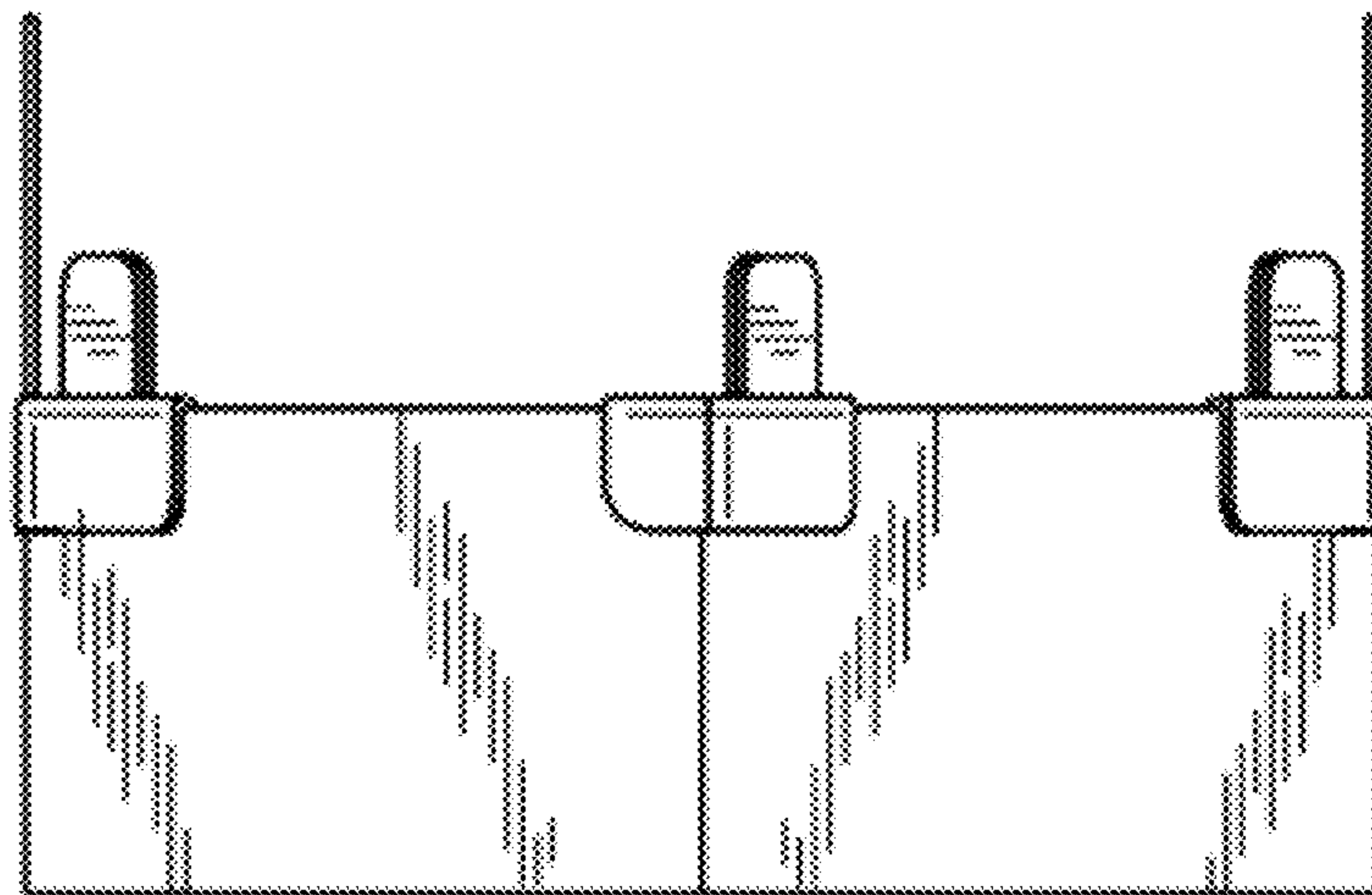


FIG. 7

