

US00D662349S

(12) **United States Design Patent**
Ho et al.

(10) **Patent No.:** **US D662,349 S**
(45) **Date of Patent:** **** Jun. 26, 2012**

(54) **TOASTER OVEN**

(75) Inventors: **William Ho**, Tamarac, FL (US); **William T. Lintner**, Winston-Salem, NC (US)

(73) Assignee: **Sunbeam Products, Inc.**, Boca Raton, FL (US)

(**) Term: **14 Years**

(21) Appl. No.: **29/396,884**

(22) Filed: **Jul. 8, 2011**

(51) **LOC (9) Cl.** **07-02**

(52) **U.S. Cl.** **D7/350.1**

(58) **Field of Classification Search** D7/350.1,
D7/350.3, 350.4, 351, 402, 403, 405, 406;
219/756, 757, 758, 391; 126/19 M, 21 A,
126/275 E; 99/352

See application file for complete search history.

(56) **References Cited**

U.S. PATENT DOCUMENTS

D385,155 S *	10/1997	Weiss et al.	D7/405
D393,179 S *	4/1998	Baldwin	D7/405
D455,046 S *	4/2002	Hwang	D7/405
D463,212 S *	9/2002	Hwang	D7/402

D466,757 S *	12/2002	Hsu	D7/350.1
D586,180 S *	2/2009	Pino et al.	D7/405
D586,619 S *	2/2009	Pino et al.	D7/405
D612,205 S *	3/2010	Baker et al.	D7/402
D621,654 S *	8/2010	Carlini	D7/405
D625,557 S *	10/2010	Pino et al.	D7/405
D628,432 S *	12/2010	Pino et al.	D7/350.1
D628,433 S *	12/2010	Pino et al.	D7/350.1
D635,815 S *	4/2011	De'Longhi	D7/350.1

* cited by examiner

Primary Examiner — Ruth McInroy

(74) *Attorney, Agent, or Firm* — Michael J. Corrigan

(57) **CLAIM**

We claim the ornamental design for a toaster oven, as shown and described.

DESCRIPTION

FIG. 1 is a top, front and left side perspective view of a toaster oven showing our new design;

FIG. 2 is a front view thereof;

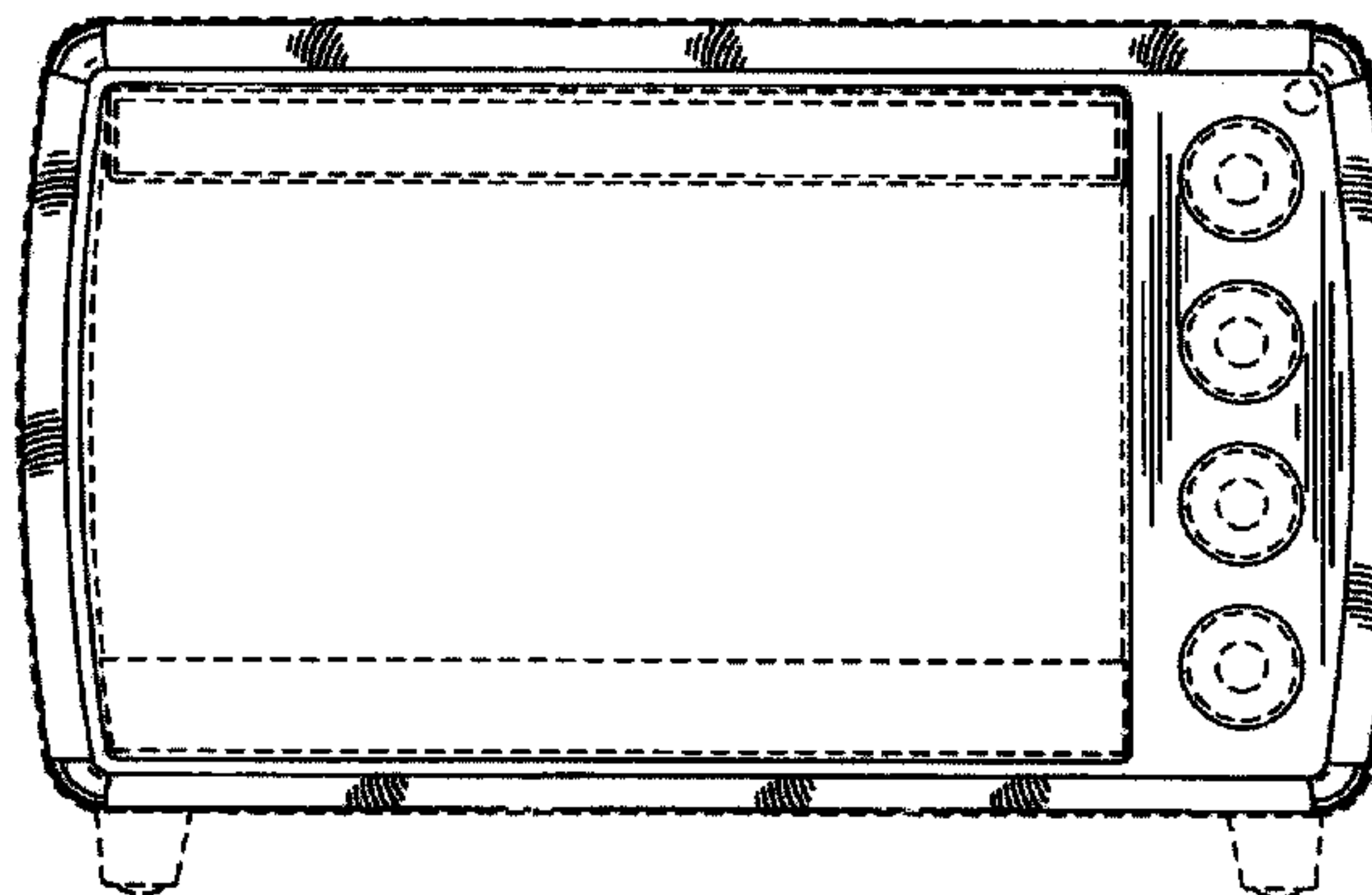
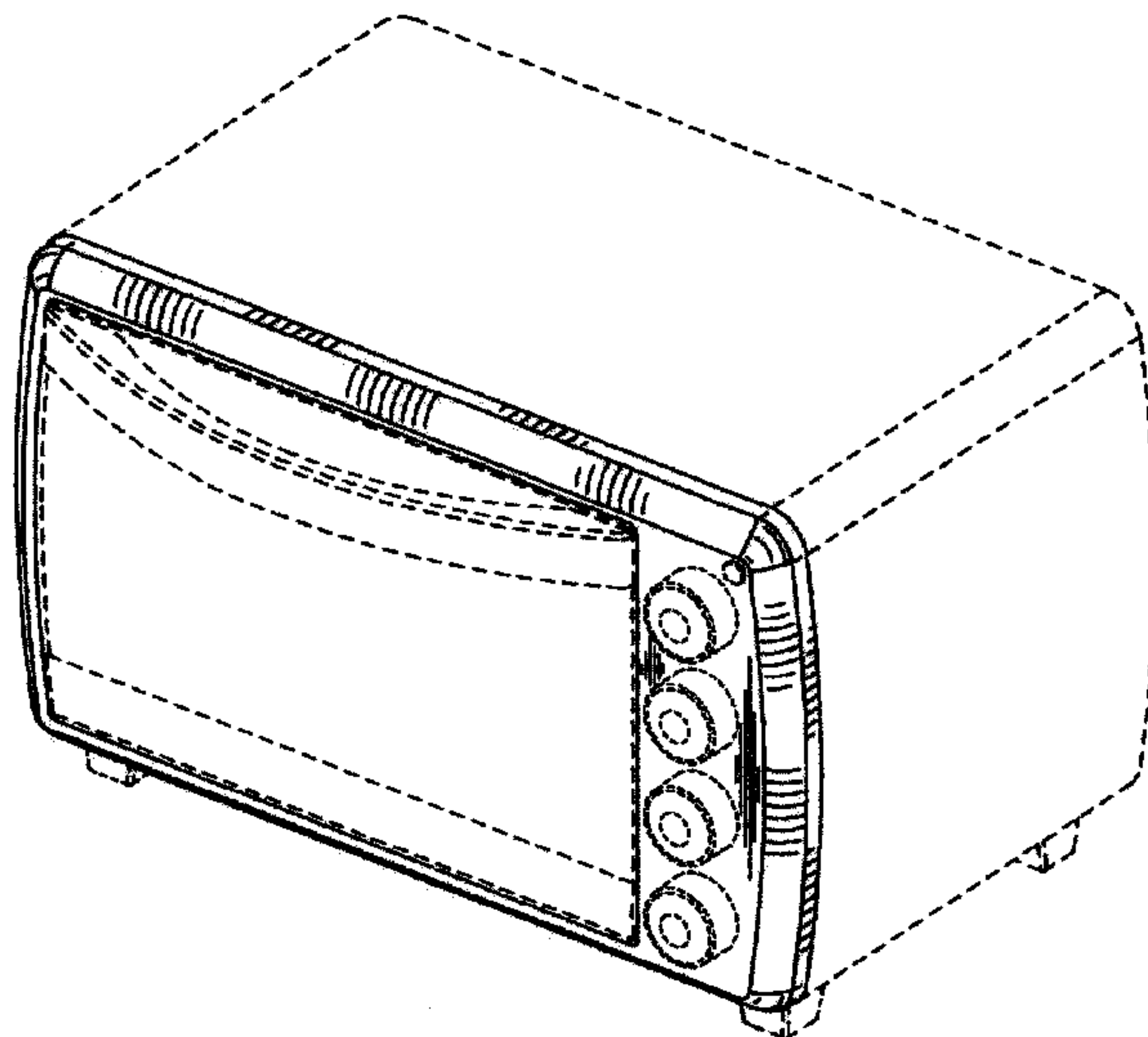
FIG. 3 is a left side view thereof;

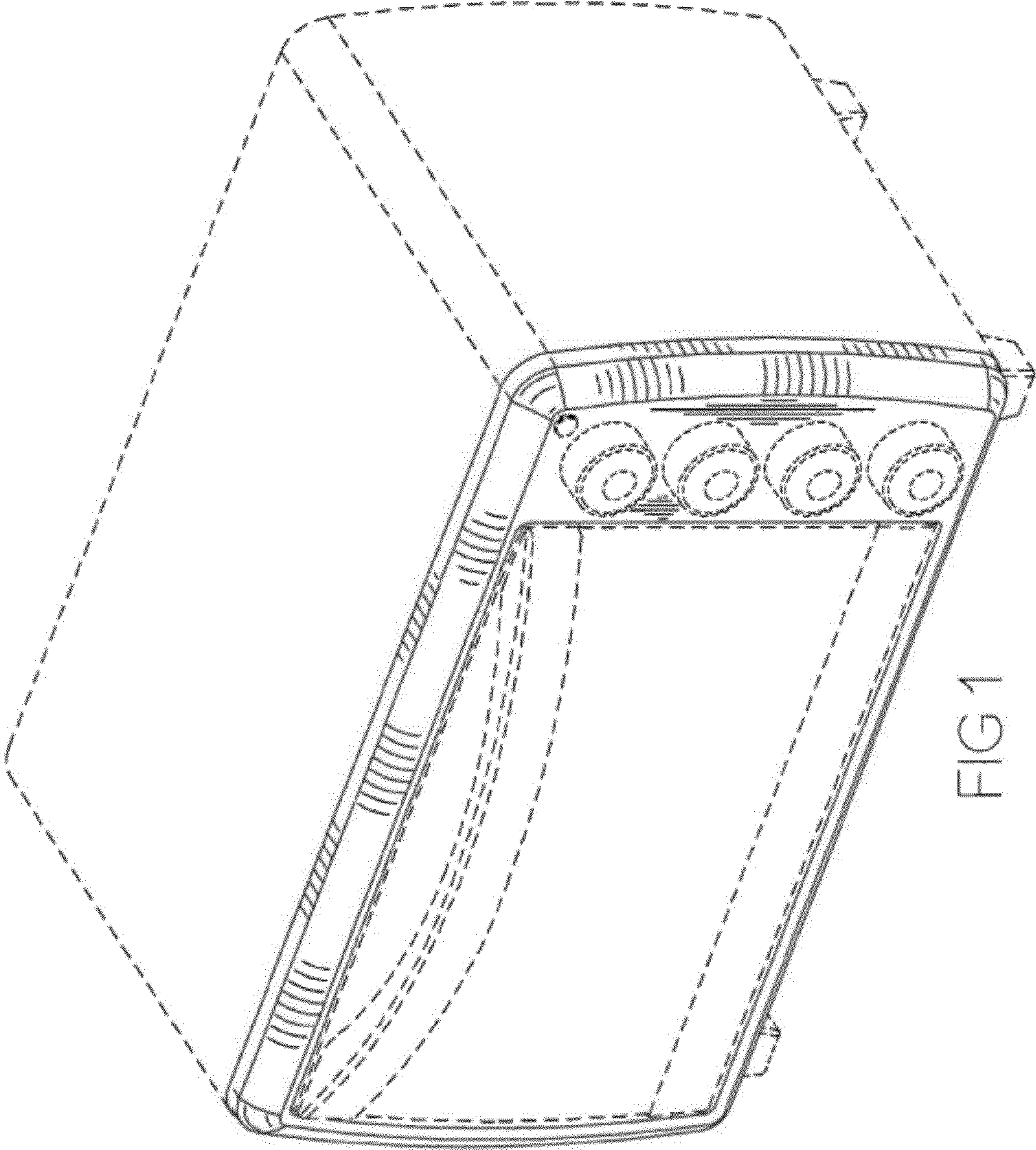
FIG. 4 is a right side view thereof;

FIG. 5 is a top view thereof, and;

FIG. 6 is a bottom view thereof.

1 Claim, 6 Drawing Sheets





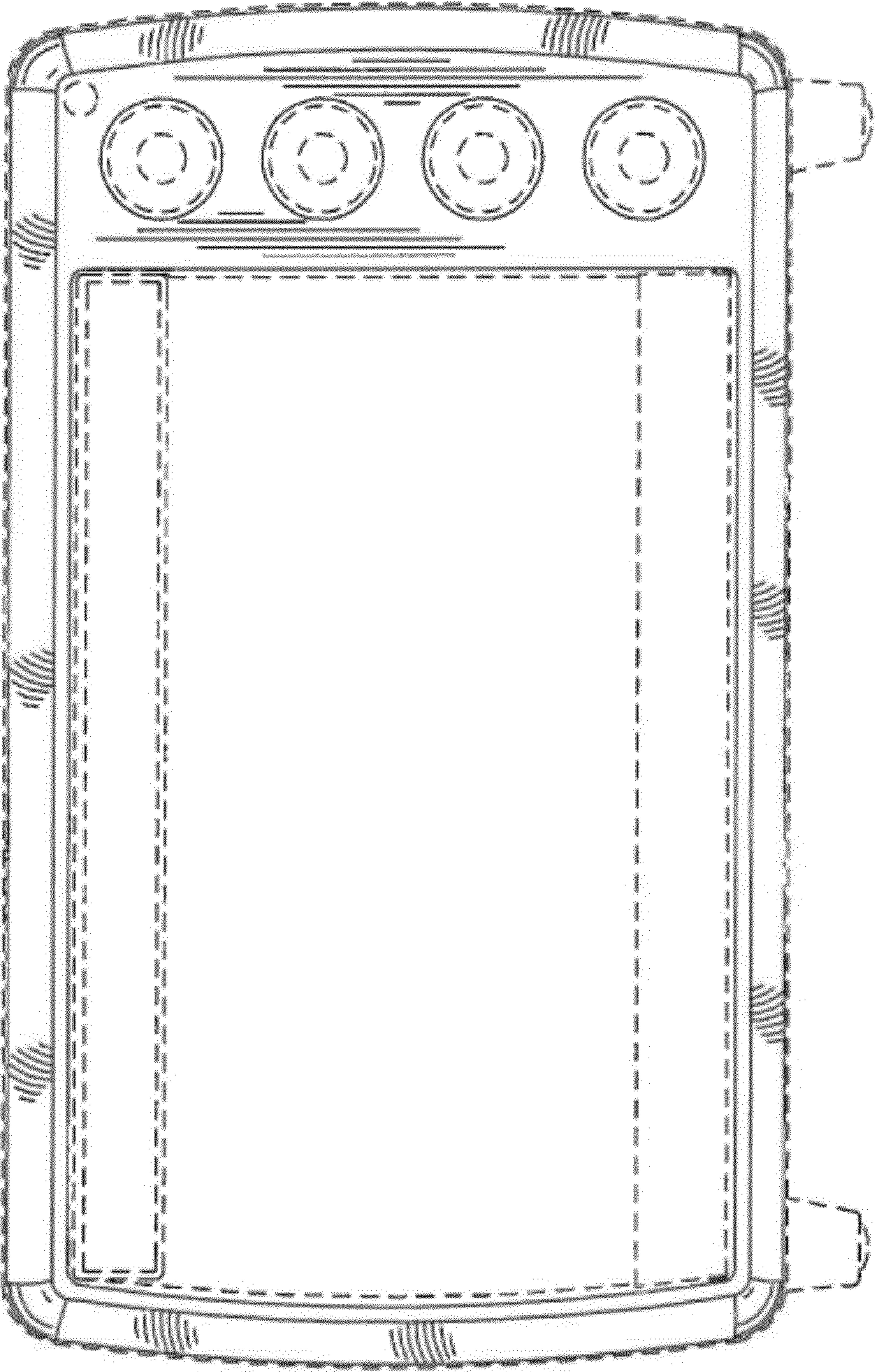


FIG 2

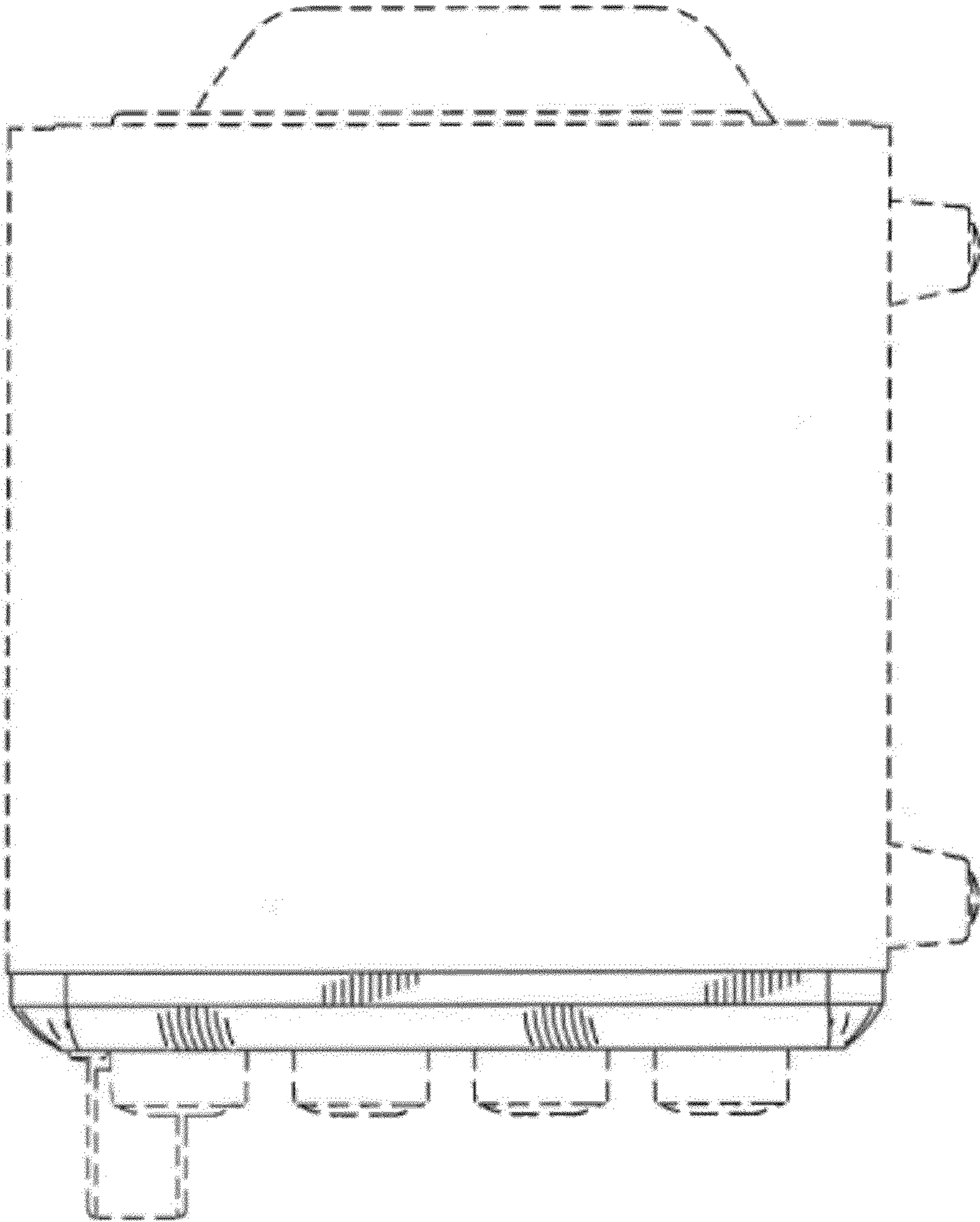


FIG 3

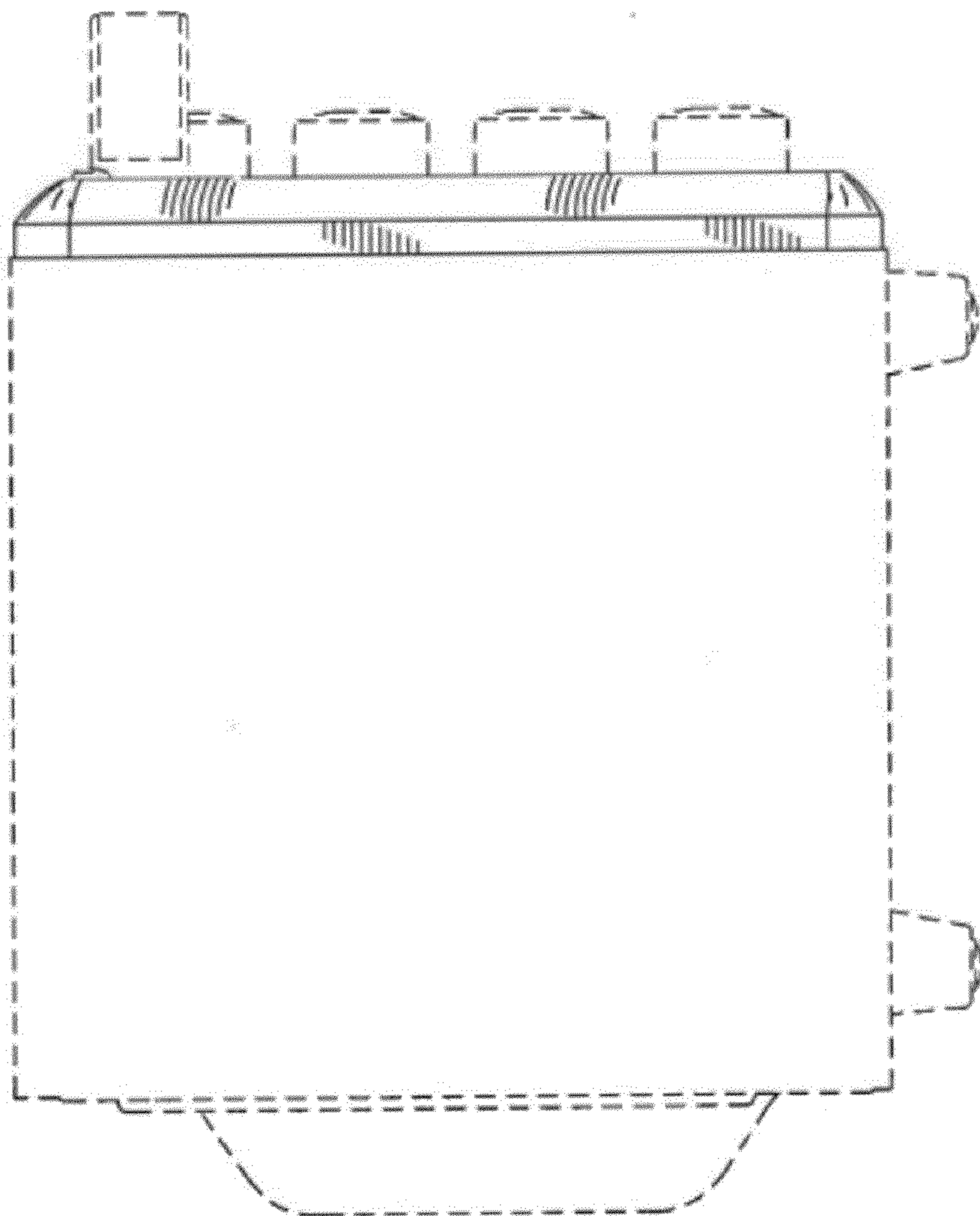


FIG 4

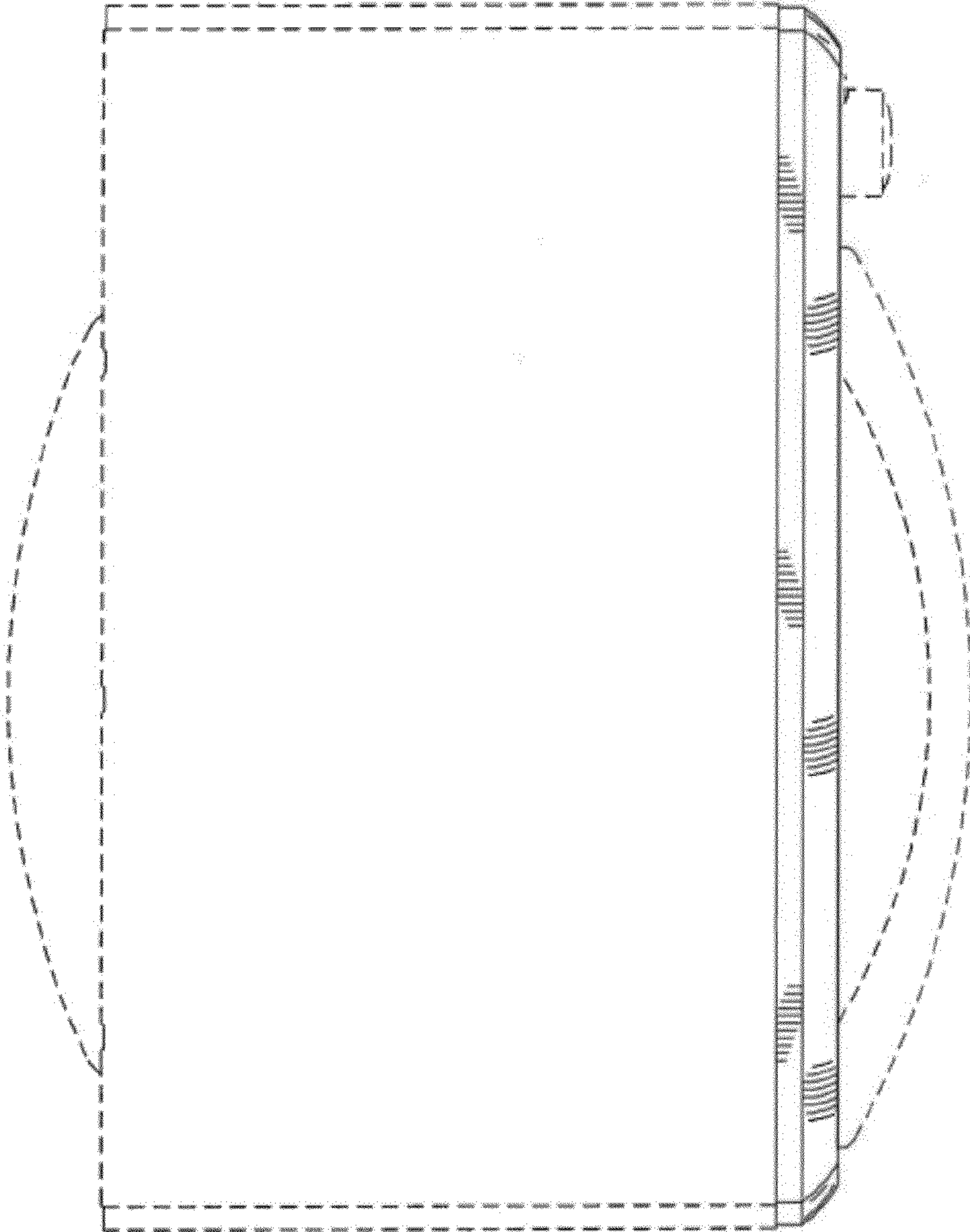


FIG 5

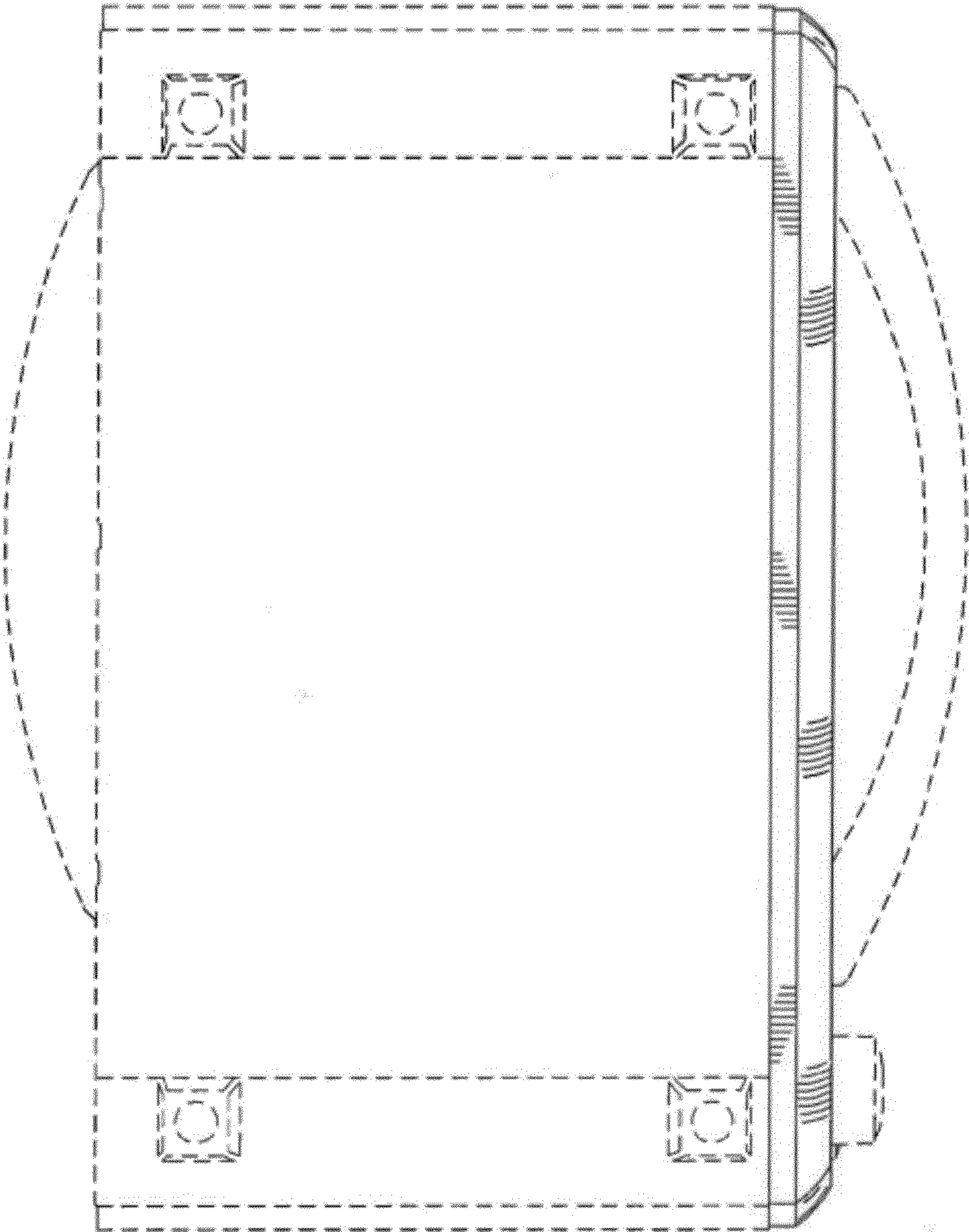


FIG 6