

US00D662348S

(12) **United States Design Patent**
Siow

(10) **Patent No.:** **US D662,348 S**
(45) **Date of Patent:** **** *Jun. 26, 2012**

(54) **PORTABLE COOKING GRILL**

(75) Inventor: **Alex Siow**, Berkeley, CA (US)

(73) Assignee: **Fuego North America LLC**, San Francisco, CA (US)

(*) Notice: This patent is subject to a terminal disclaimer.

(**) Term: **14 Years**

(21) Appl. No.: **29/378,790**

(22) Filed: **Nov. 9, 2010**

(51) **LOC (9) Cl.** **07-02**

(52) **U.S. Cl.** **D7/337**

(58) **Field of Classification Search** D7/332-337,
D7/402-404; 126/25 R, 25 A, 25 B, 41 R,
126/39-30, 9 R, 8, 38, 4, 268, 276, 40, 50,
126/506; 99/481-482, 448

See application file for complete search history.

(56) **References Cited**

U.S. PATENT DOCUMENTS

D285,401 S *	9/1986	Erickson	D7/332
D580,210 S *	11/2008	Chen	D7/337
D586,610 S *	2/2009	Hu	D7/337
D611,291 S *	3/2010	Chung	D7/337
D614,436 S *	4/2010	Chung	D7/337
D627,591 S *	11/2010	Wade	D7/337
2010/0180881 A1 *	7/2010	Chen	126/25 R

* cited by examiner

Primary Examiner — Ruth McInroy

(74) *Attorney, Agent, or Firm* — Dergosits & Noah LLP; Todd A. Noah

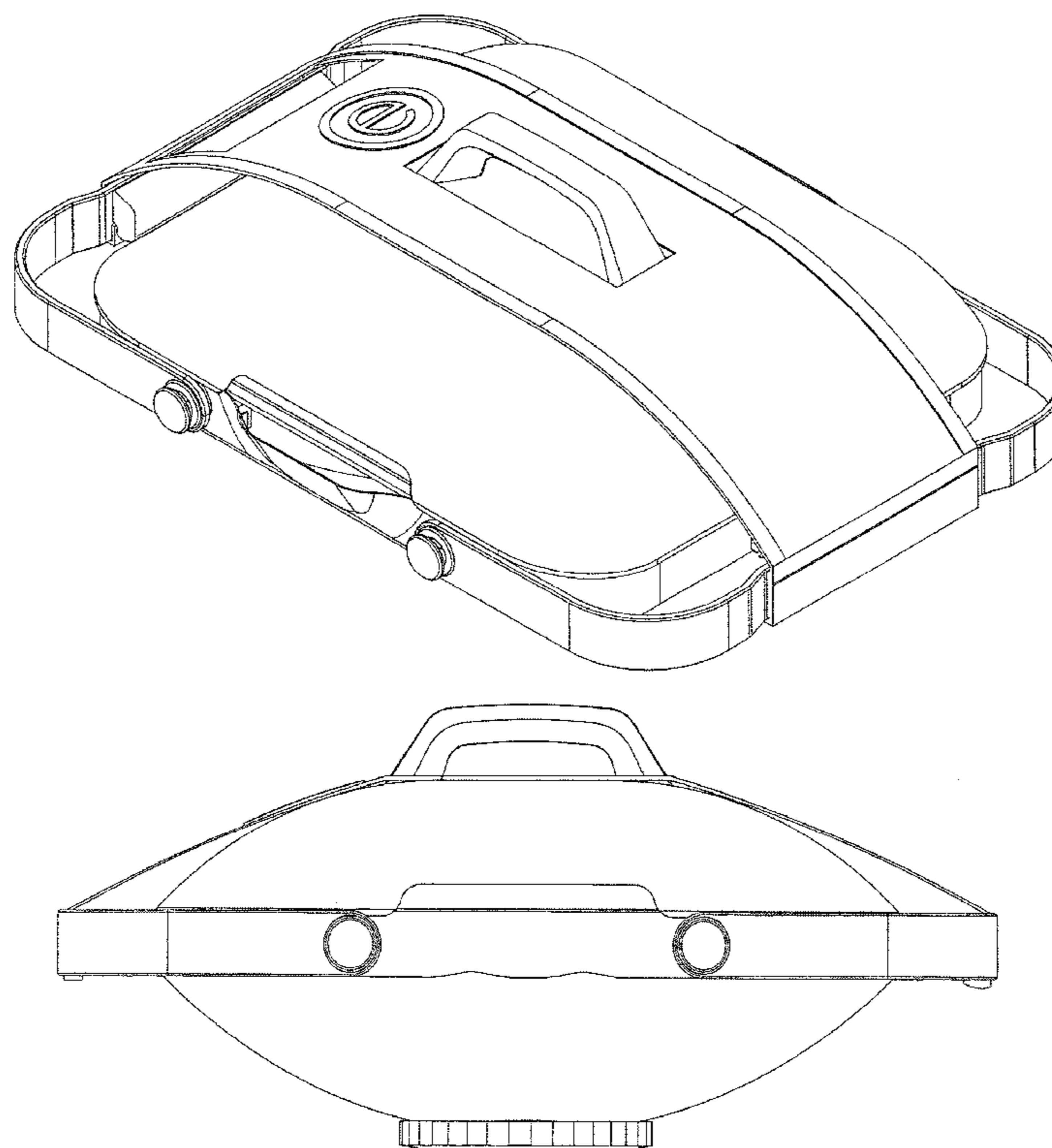
(57) **CLAIM**

I claim the ornamental design for a portable cooking grill, as shown and described.

DESCRIPTION

FIG. 1 is a perspective view of a portable cooking grill in a closed position;
 FIG. 2 is a top view of the portable cooking grill in a closed position;
 FIG. 3 is a front of the portable cooking grill in a closed position;
 FIG. 4 is a side view of portable cooking grill in a closed position;
 FIG. 5 is a bottom view of the portable cooking grill in a closed position;
 FIG. 6 is a perspective view of a portable cooking grill in an open position;
 FIG. 7 is a top view of the portable cooking grill in an open position;
 FIG. 8 is a front of the portable cooking grill in an open position;
 FIG. 9 is a side view of portable cooking grill in an open position; and,
 FIG. 10 is a bottom view of the portable cooking grill in an open position.
 FIGS. 6-10 are shown separate for clarity of illustration.

1 Claim, 10 Drawing Sheets



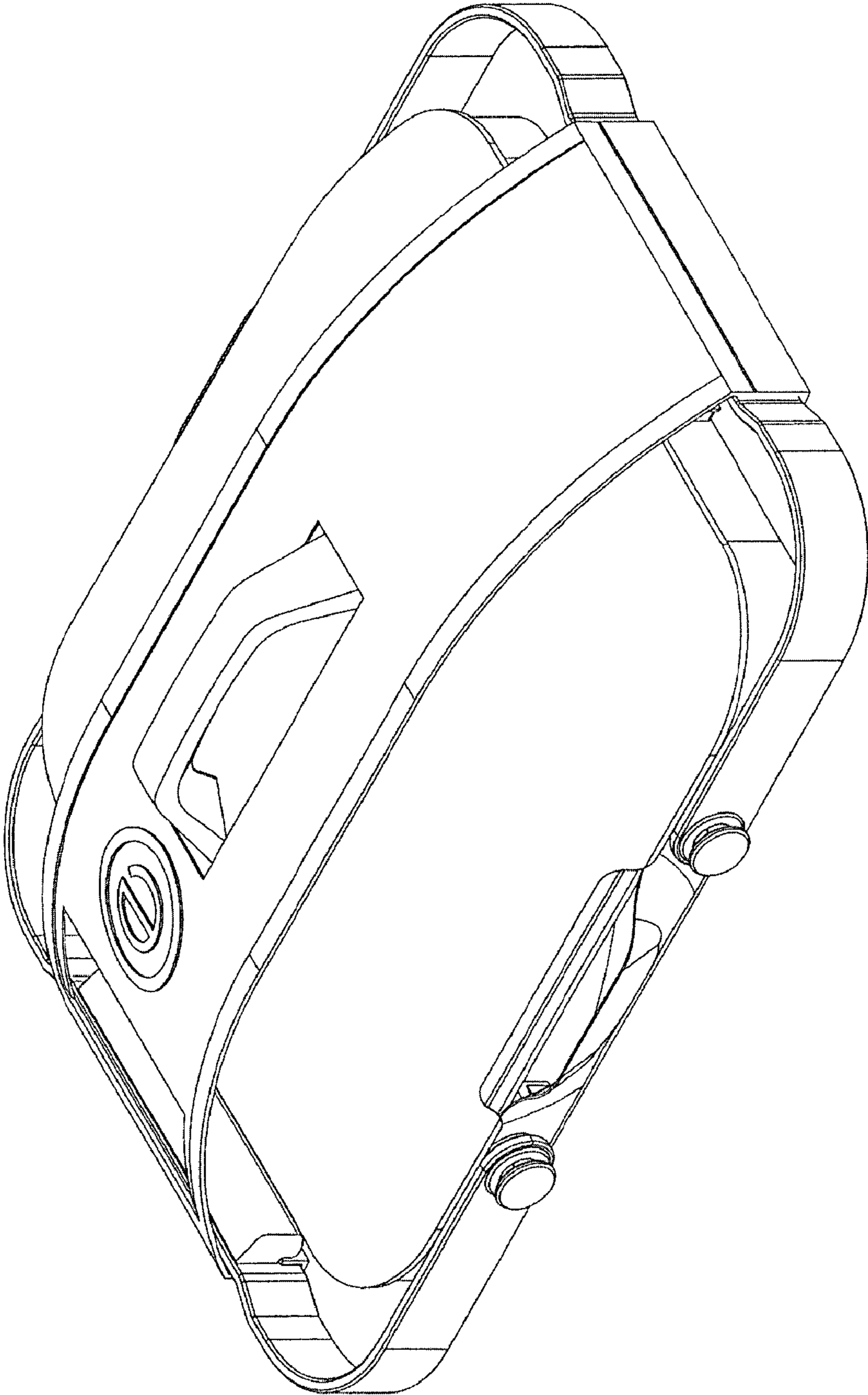


FIG. 1

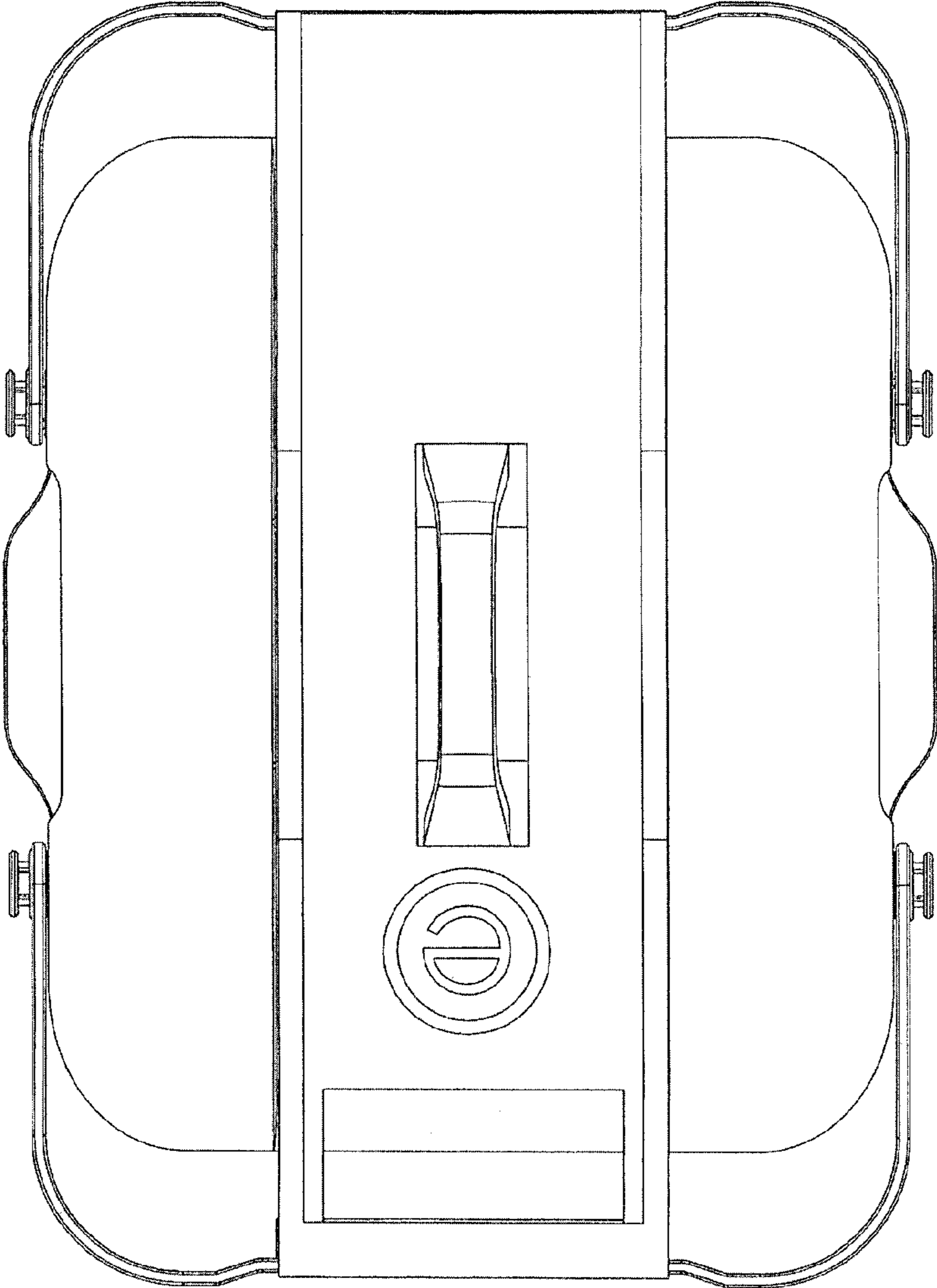


FIG. 2

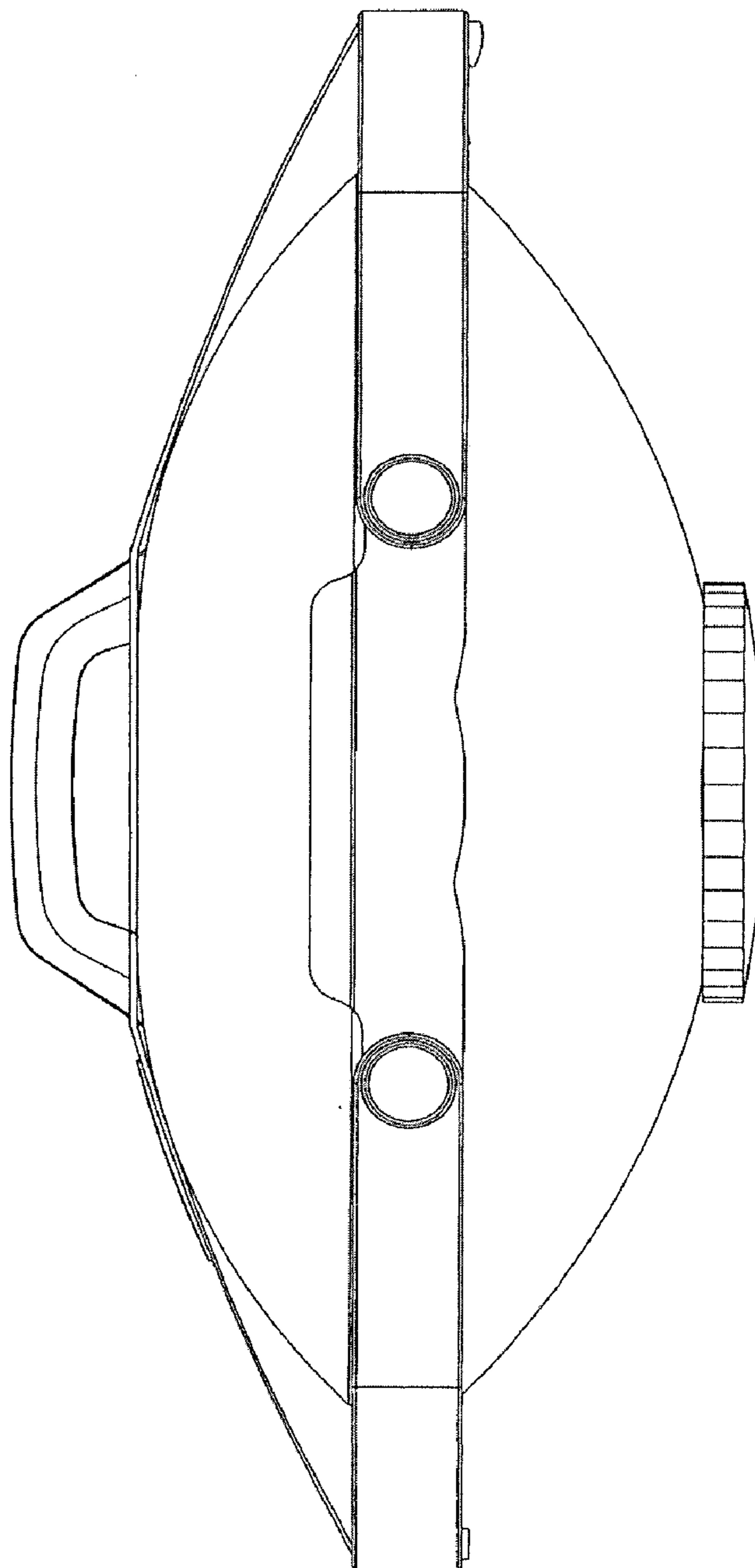


FIG. 3

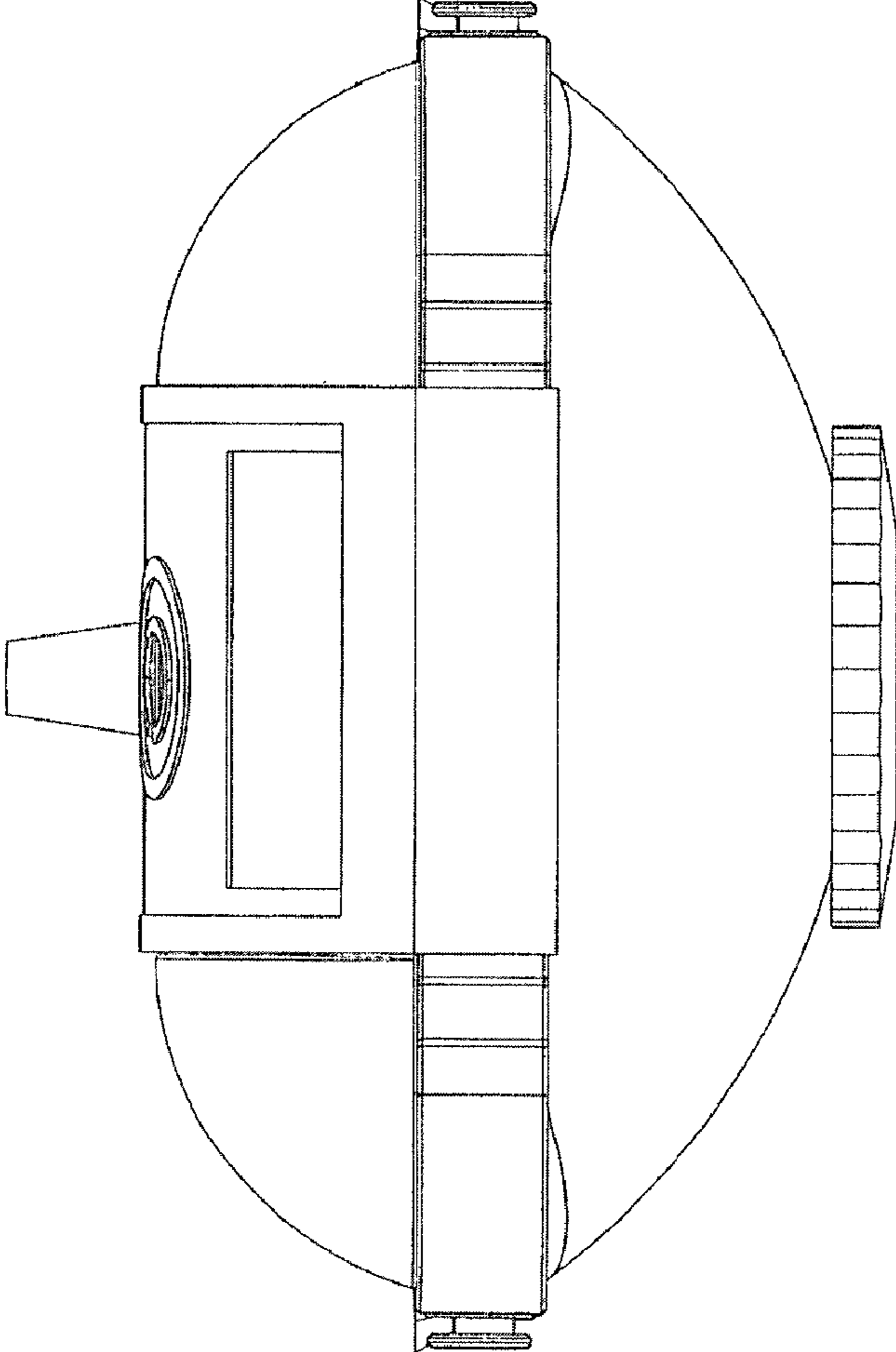


FIG. 4

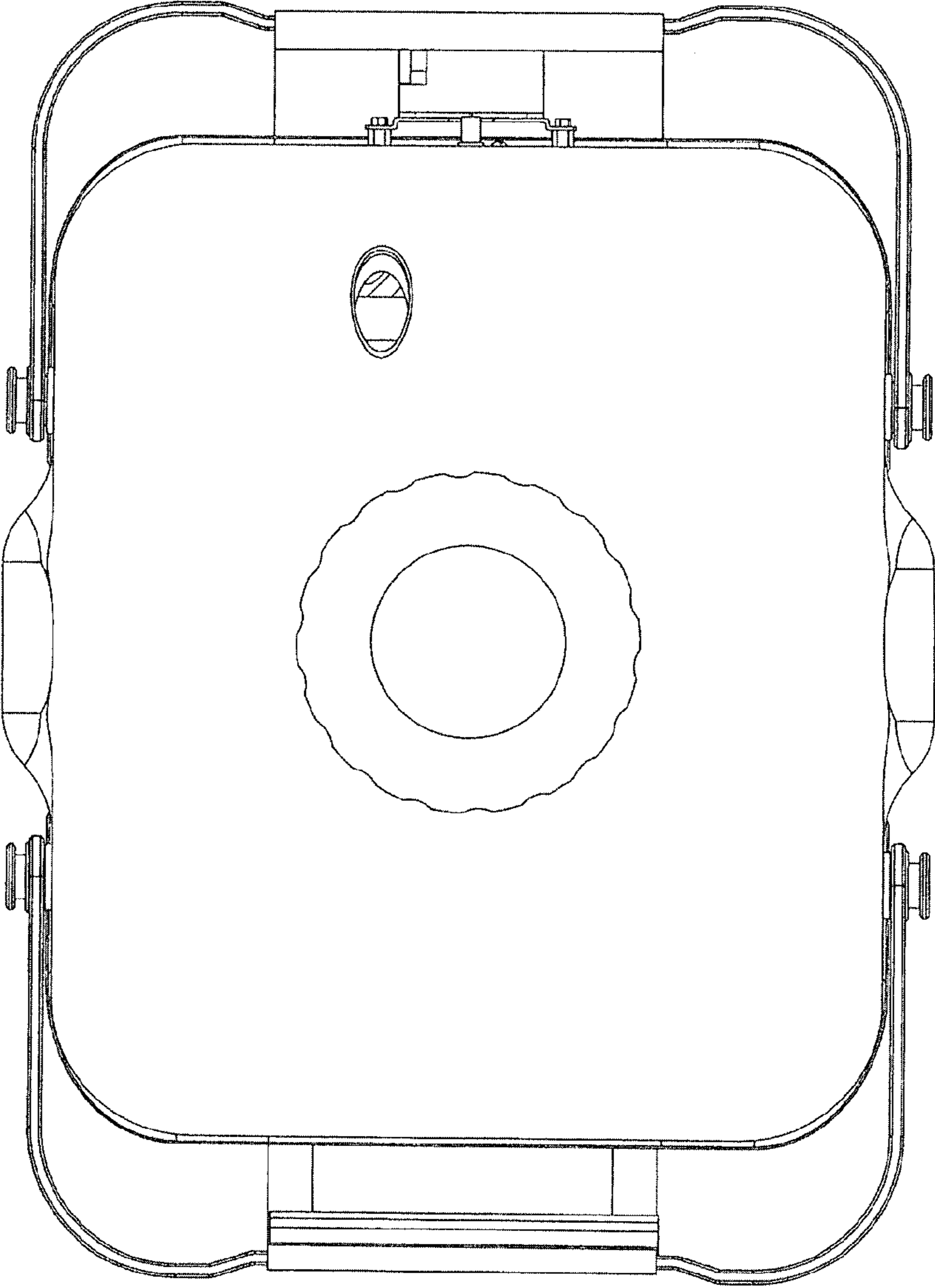


FIG. 5

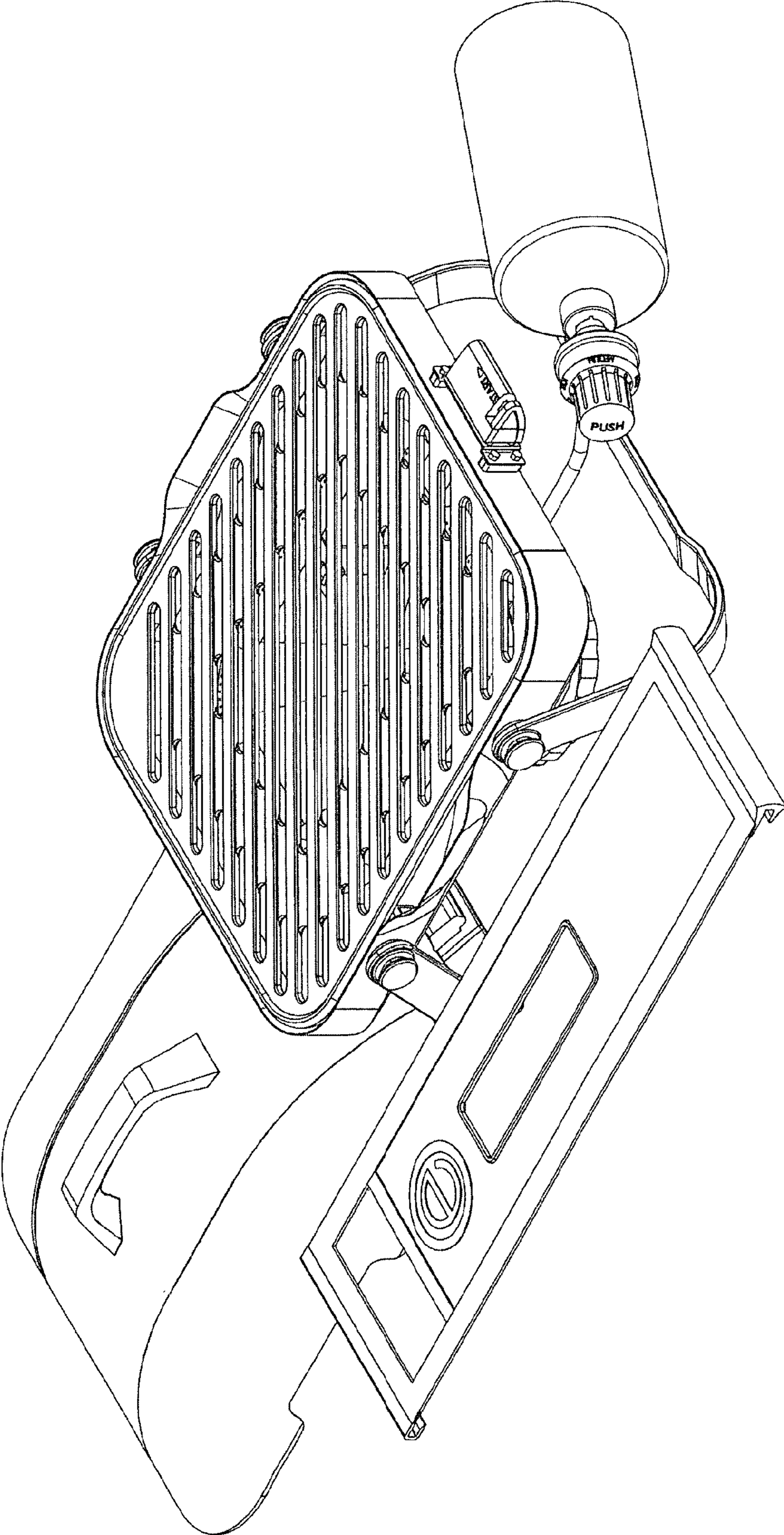


FIG. 6

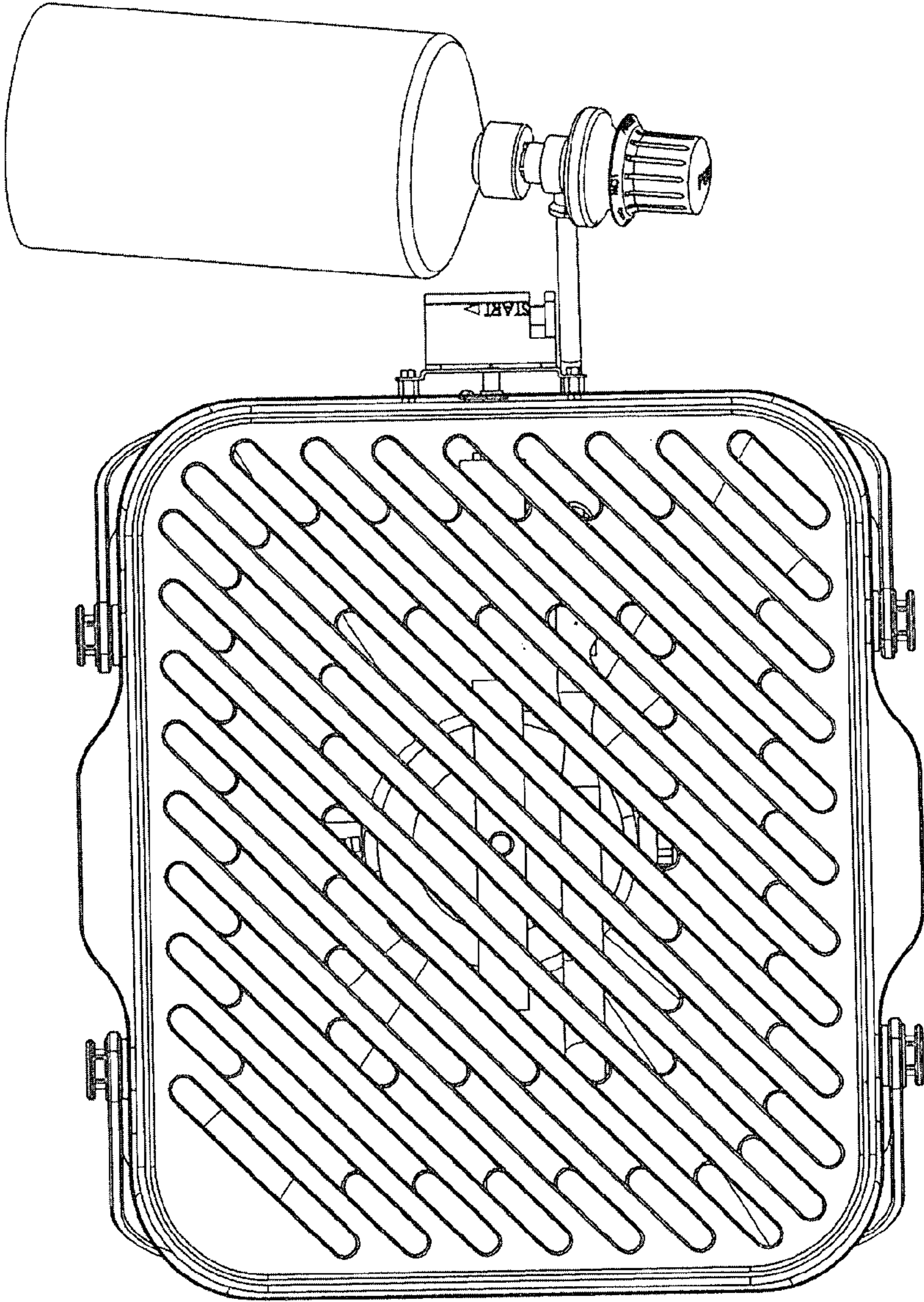


FIG. 7

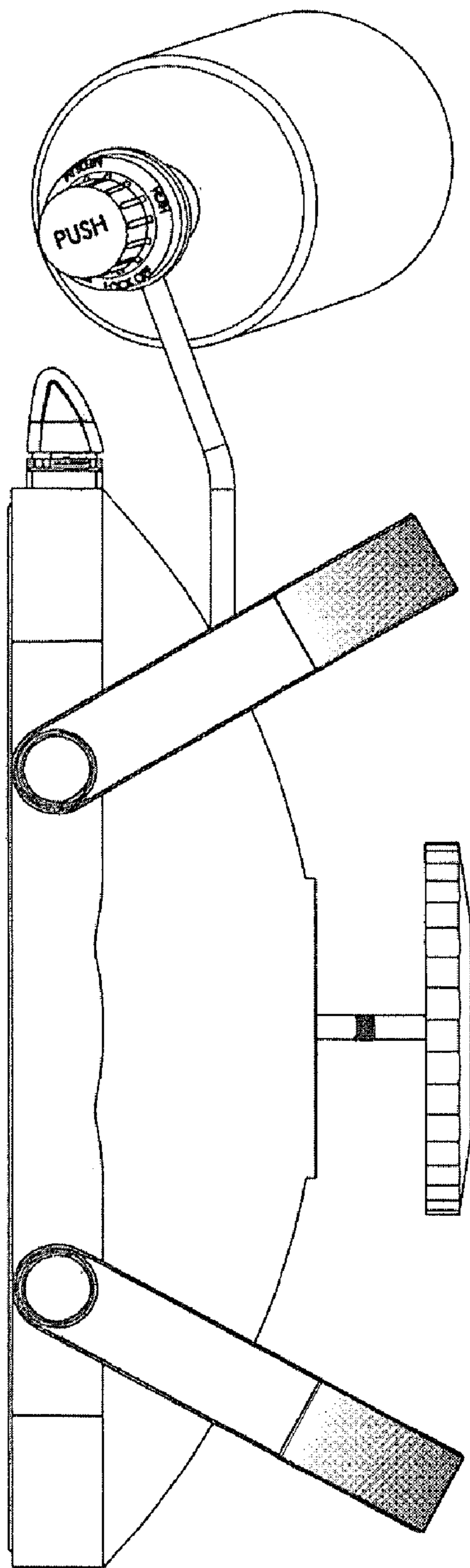


FIG. 8

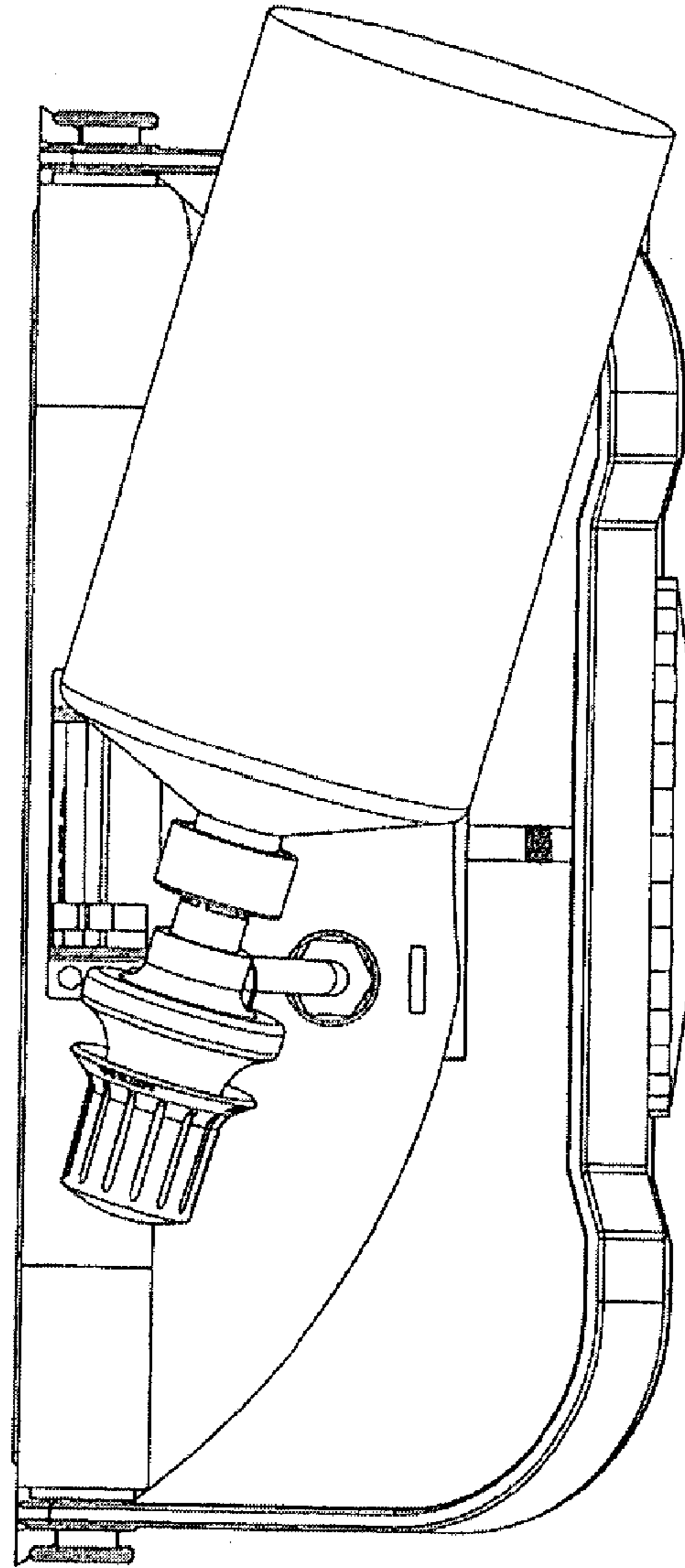


FIG. 9

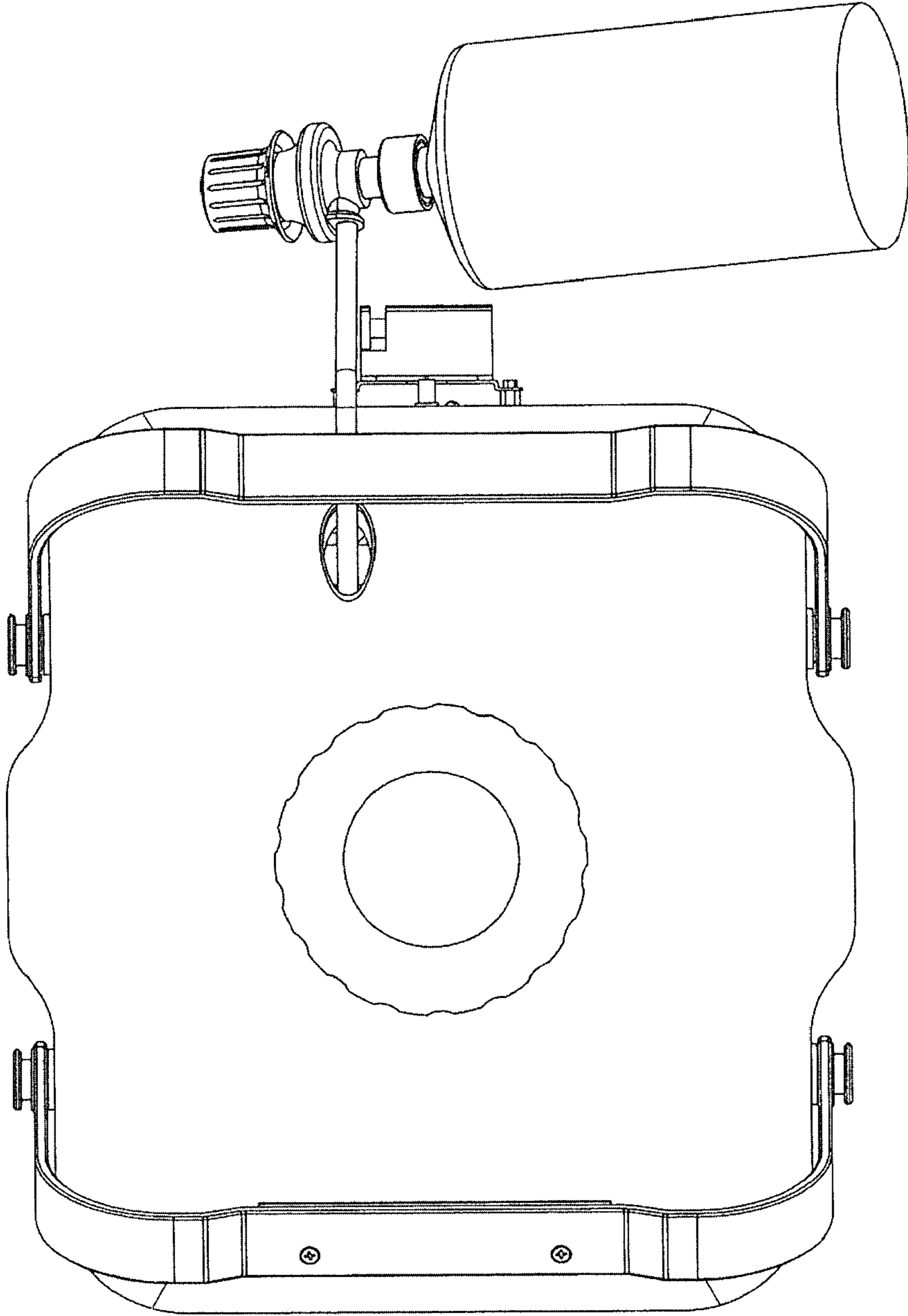


FIG. 10