

US00D662347S

(12) **United States Design Patent**
May et al.

(10) **Patent No.:** **US D662,347 S**
(45) **Date of Patent:** **** Jun. 26, 2012**

(54) **GRILL**

(75) Inventors: **Randall May**, Plano, TX (US); **Erica Sedberry**, Dallas, TX (US); **Jack Lockhart**, Birmingham, AL (US); **Nam Wai Chau**, Tsuen Wan (CN); **Owen Slater**, Plano, TX (US); **Po Sum Lee**, North Point (CN)

(73) Assignee: **The Brinkmann Corporation**, Dallas, TX (US)

(**) Term: **14 Years**

(21) Appl. No.: **29/391,107**

(22) Filed: **May 3, 2011**

(51) **LOC (9) Cl.** **07-02**

(52) **U.S. Cl.** **D7/334**

(58) **Field of Classification Search** D7/332, D7/334-337, 402-405, 338, 417; 126/25 R, 126/25 A, 25 AA, 25 B, 273 R, 9 R, 38, 40, 126/50, 9 B, 48, 29-30, 43-44, 26, 372, 314, 126/307 R, 312, 292; 99/339, 448, 449, 99/481-482, 516, 340-341; 431/331
See application file for complete search history.

(56) **References Cited**

U.S. PATENT DOCUMENTS

4,886,045 A	12/1989	Ducate, Jr. et al.
D316,355 S	4/1991	Stephen et al.
5,033,449 A	7/1991	Hanagan
D324,622 S	3/1992	Baynes et al.
5,109,834 A	5/1992	Collins et al.
5,242,703 A	9/1993	Stewart
5,284,671 A	2/1994	Stewart
5,327,879 A	7/1994	Ferraro
D362,153 S	9/1995	Home
D404,963 S	2/1999	Schlosser et al.
D406,488 S	3/1999	Bates et al.
D406,489 S	3/1999	Williams et al.
D406,490 S	3/1999	Daniels et al.

D426,101 S	6/2000	Pai
D430,772 S	9/2000	Ganard
D433,279 S	11/2000	Schlosser et al.
D437,177 S	2/2001	Giebel et al.
D450,215 S	11/2001	Wood et al.
D450,216 S	11/2001	Wood et al.
D454,276 S	3/2002	Pai
D461,359 S	8/2002	Coleman et al.
D462,227 S	9/2002	Alden et al.
D465,123 S	11/2002	Coleman et al.
D466,367 S	12/2002	Johnson et al.
D466,756 S	12/2002	Bossler et al.
D470,357 S	2/2003	Home
D471,057 S	3/2003	Chung
D472,756 S	4/2003	Pai
D475,235 S	6/2003	Home
D476,188 S	6/2003	Wood
D485,467 S	1/2004	Pai
D489,221 S	5/2004	Pai
D494,004 S	8/2004	Chapman
D497,280 S	10/2004	Pai
D499,928 S	12/2004	Zhang
D501,116 S	1/2005	Zhang
D503,065 S	3/2005	Pai

(Continued)

Primary Examiner — Ruth McInroy

(74) *Attorney, Agent, or Firm* — Sheppard Mullin Richter & Hampton, LLP

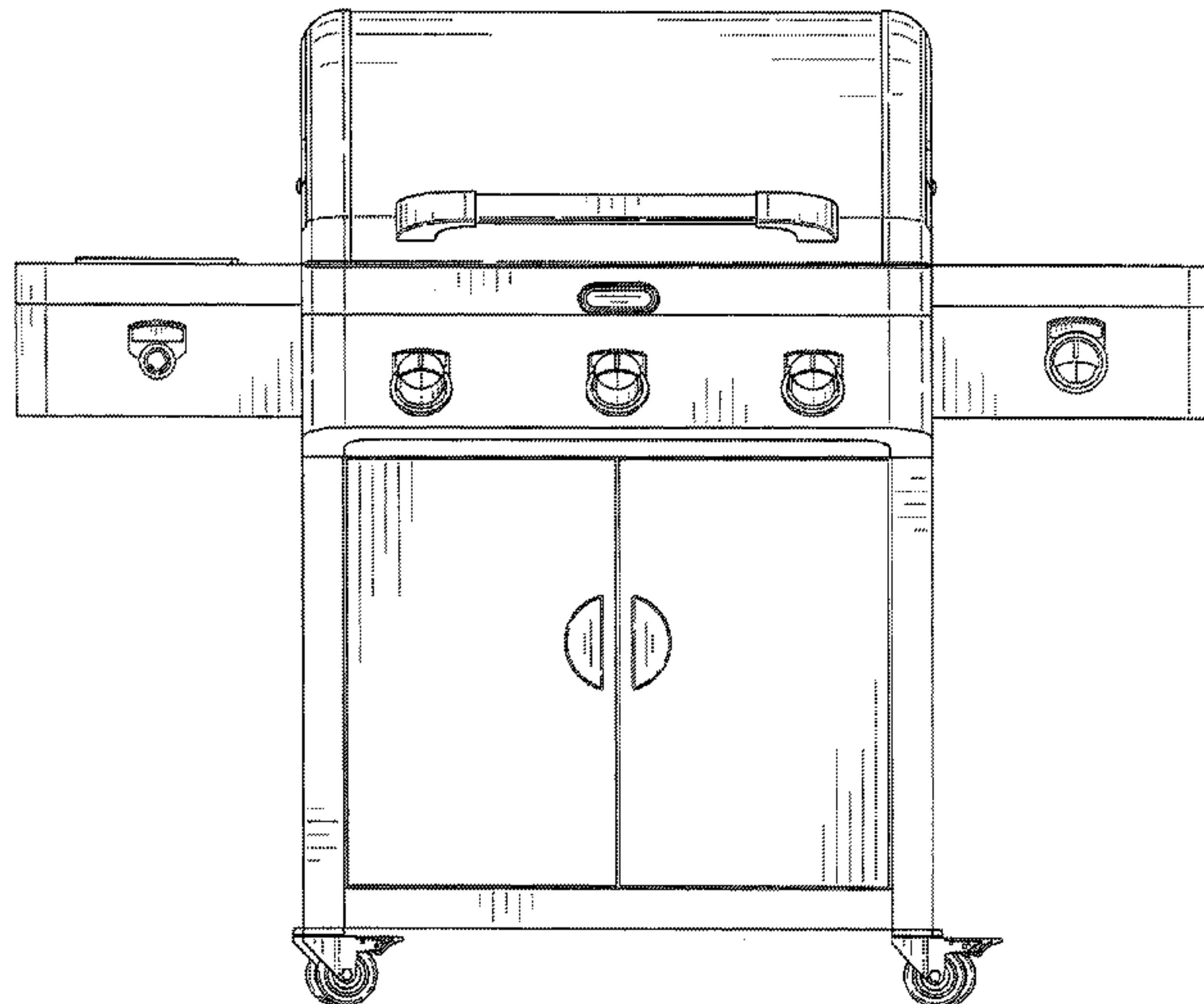
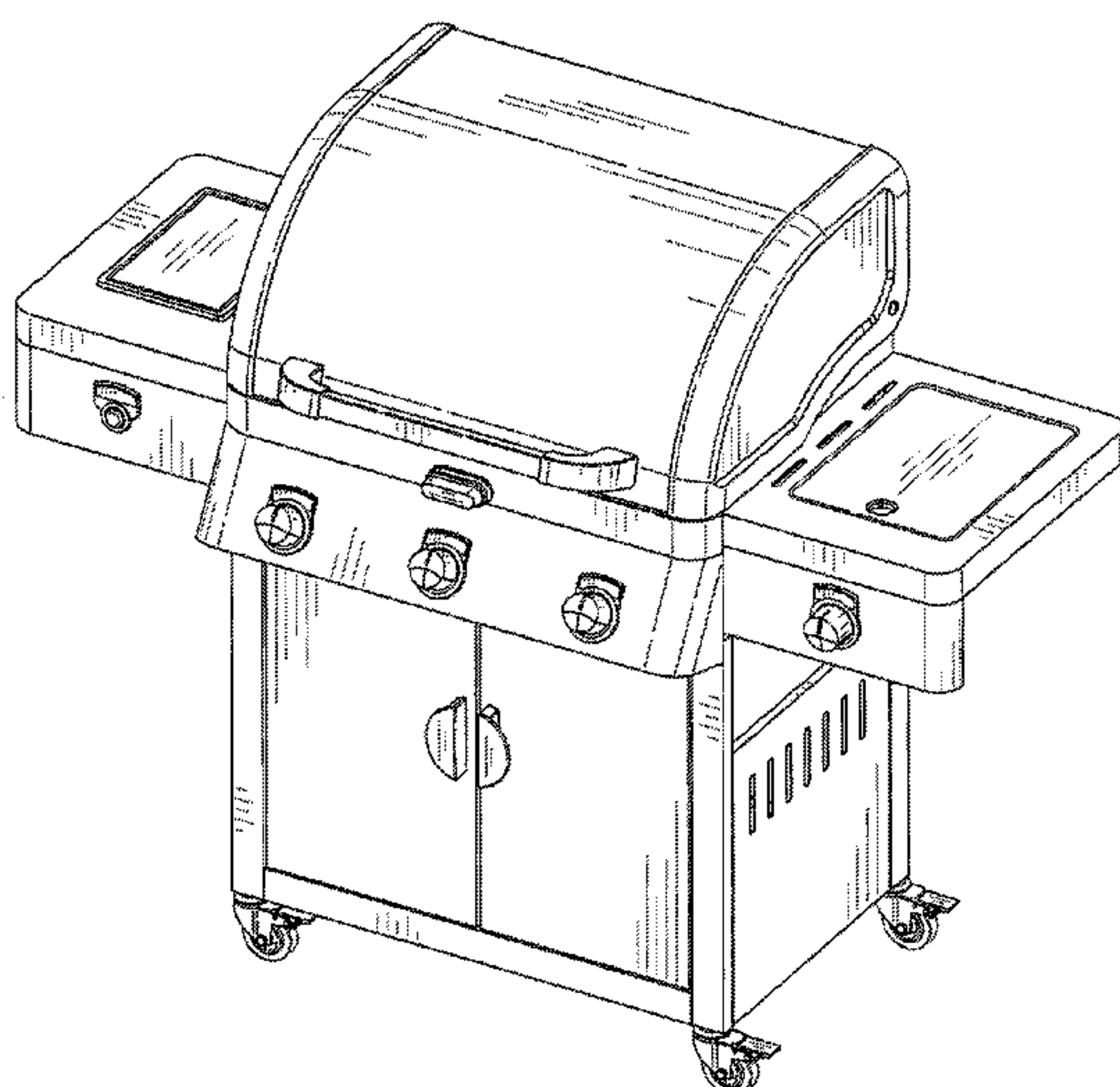
(57) **CLAIM**

We claim the ornamental design for a grill, as shown and described.

DESCRIPTION

FIG. 1 is a perspective view of the grill showing the new design;
FIG. 2 is a front elevational view thereof;
FIG. 3 is a rear elevational view thereof;
FIG. 4 is a right side elevational view thereof,
FIG. 5 is a left side elevational view thereof; and,
FIG. 6 is a top plan view thereof.

1 Claim, 6 Drawing Sheets



US D662,347 S

Page 2

U.S. PATENT DOCUMENTS

D508,363	S	8/2005	Chung	
6,925,998	B2	8/2005	Bruno et al.	
6,935,327	B1	8/2005	Williams et al.	
D516,367	S	3/2006	Lutz et al.	
D520,298	S	5/2006	Huegerich et al.	
D521,308	S	* 5/2006	Tseng	D7/334
D525,073	S	7/2006	Wilgus et al.	
D528,349	S	9/2006	Chung	
D529,331	S	10/2006	Chung	
D533,010	S	12/2006	Pai	
D535,139	S	1/2007	Lutz	
D536,918	S	2/2007	Wood	
D541,575	S	5/2007	Lutz	
D544,289	S	6/2007	Tseng	
D546,116	S	7/2007	Tseng	
D547,108	S	7/2007	Tseng	
D547,109	S	7/2007	Tseng	
D549,511	S	* 8/2007	Chung	D7/334
D549,512	S	* 8/2007	Chung	D7/334
D549,514	S	* 8/2007	Chung	D7/334
D557,066	S	12/2007	Chau et al.	
D557,067	S	12/2007	Ho et al.	
D557,068	S	12/2007	Lee	
D557,555	S	12/2007	Chau et al.	
D557,556	S	12/2007	Chau et al.	
D557,557	S	12/2007	Chau et al.	
D557,558	S	12/2007	Chau et al.	
D560,415	S	1/2008	Wood et al.	
D560,416	S	1/2008	Sedberry et al.	
D560,417	S	1/2008	Ho et al.	
D560,418	S	1/2008	Chau et al.	
D560,419	S	1/2008	Lockhart et al.	
D560,953	S	* 2/2008	Bruno et al.	D7/334
D562,630	S	2/2008	Chau et al.	
D563,150	S	3/2008	Chau et al.	
D566,456	S	4/2008	Proffitt	
D569,168	S	* 5/2008	Pai	D7/334
D571,142	S	6/2008	Chung	
D571,602	S	6/2008	Chung	
D571,604	S	6/2008	Chung	
D571,605	S	* 6/2008	Chung	D7/334
D572,973	S	7/2008	Chau	
D581,198	S	11/2008	Chau	
D581,199	S	11/2008	Chau	
D584,562	S	1/2009	Chau et al.	
D586,609	S	2/2009	Chau	
D586,615	S	2/2009	Lee	
D587,525	S	3/2009	Chau	
D601,378	S	* 10/2009	Chung	D7/334
D604,557	S	11/2009	Lee	
D604,558	S	11/2009	Chau	
D605,892	S	* 12/2009	Proffitt et al.	D7/334
D624,782	S	* 10/2010	Chung	D7/334

* cited by examiner

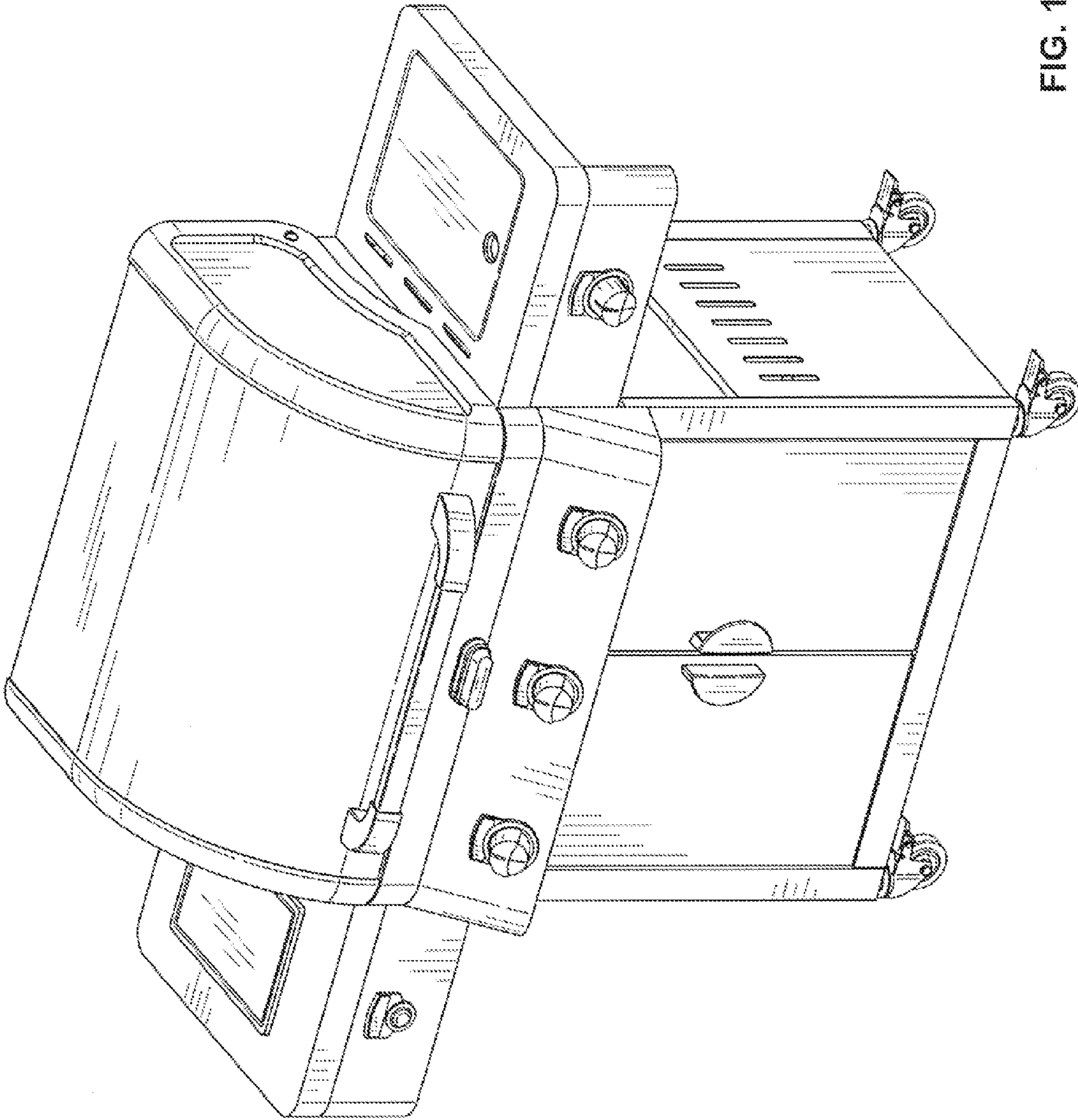


FIG. 1

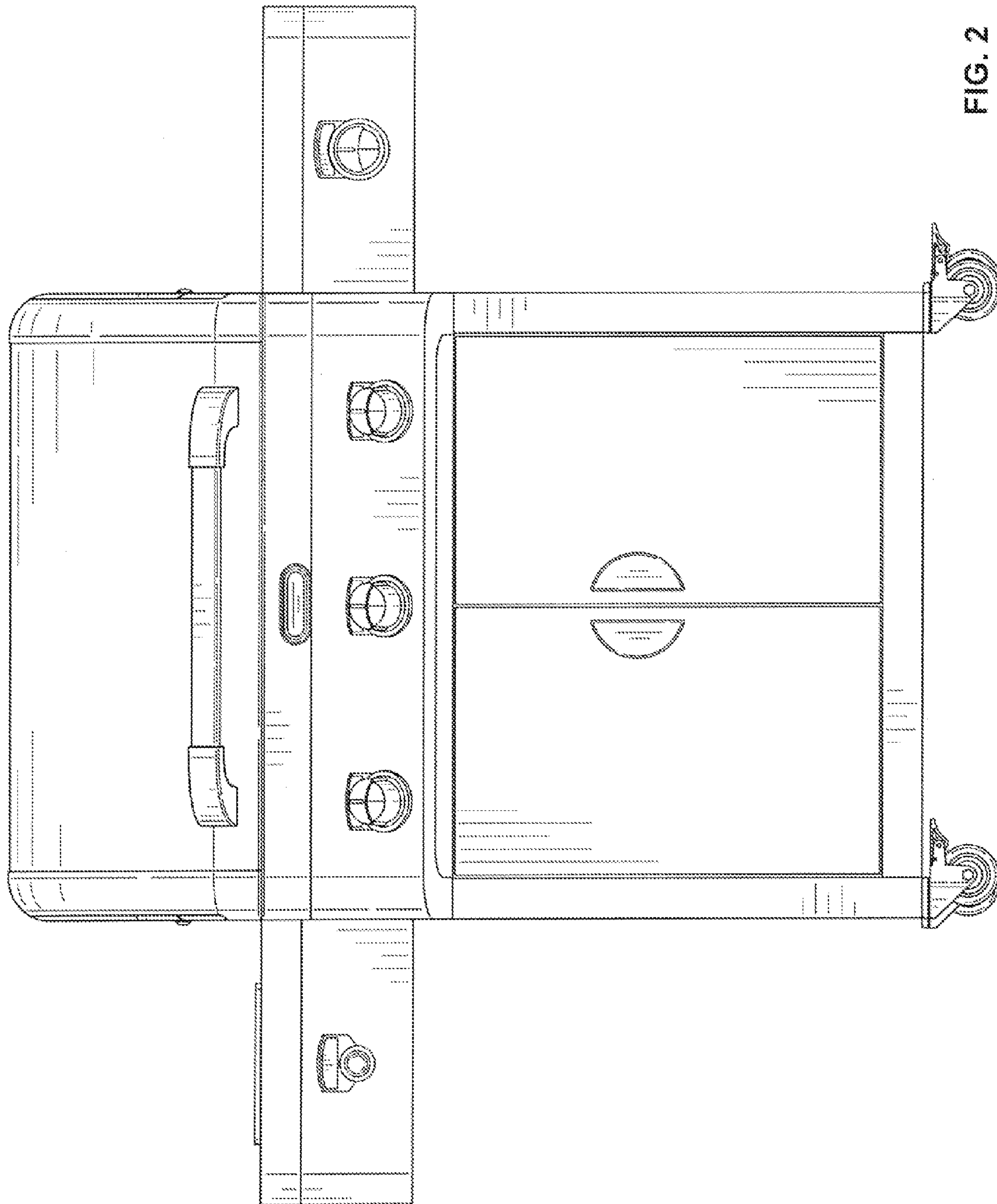


FIG. 2

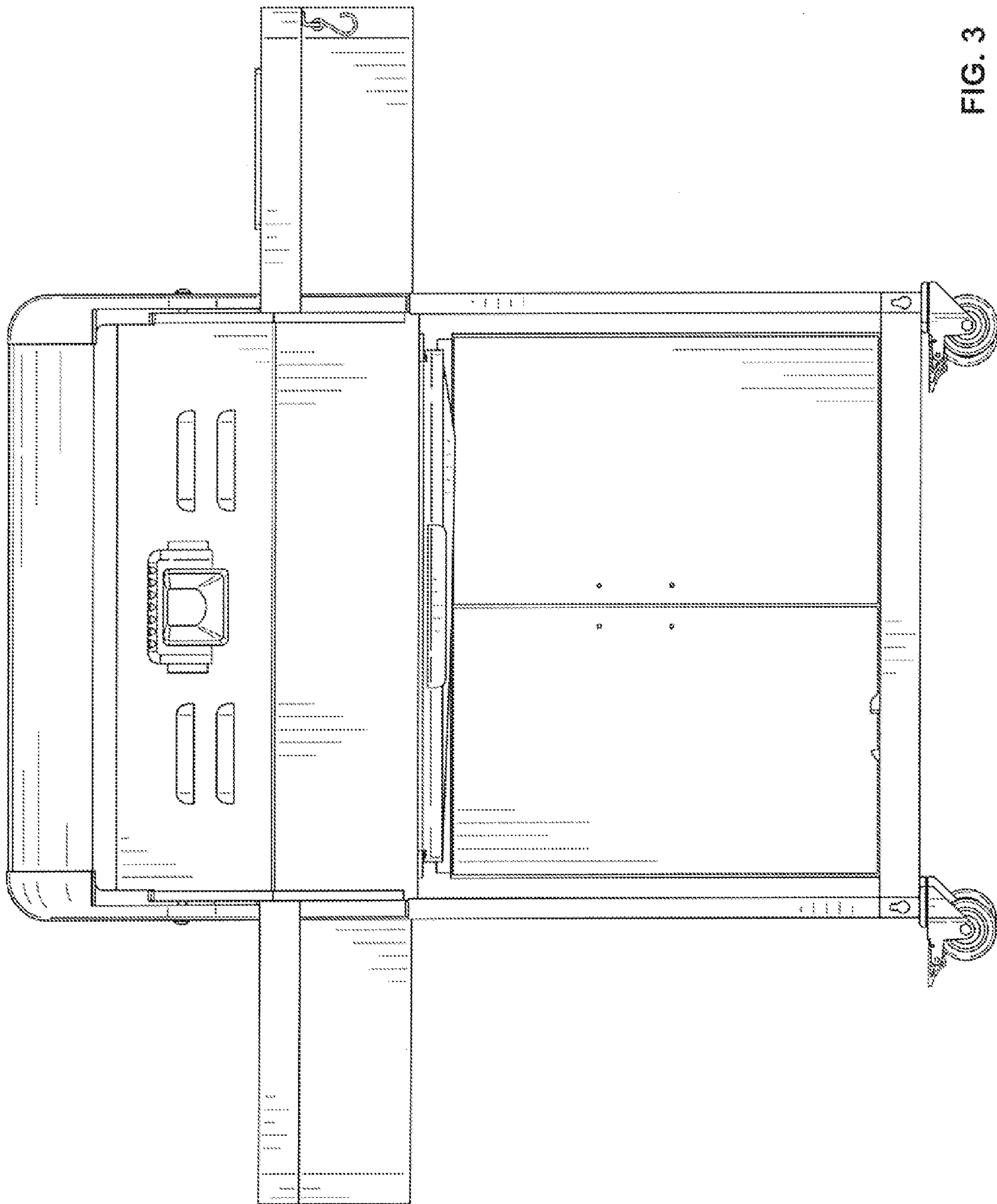


FIG. 3

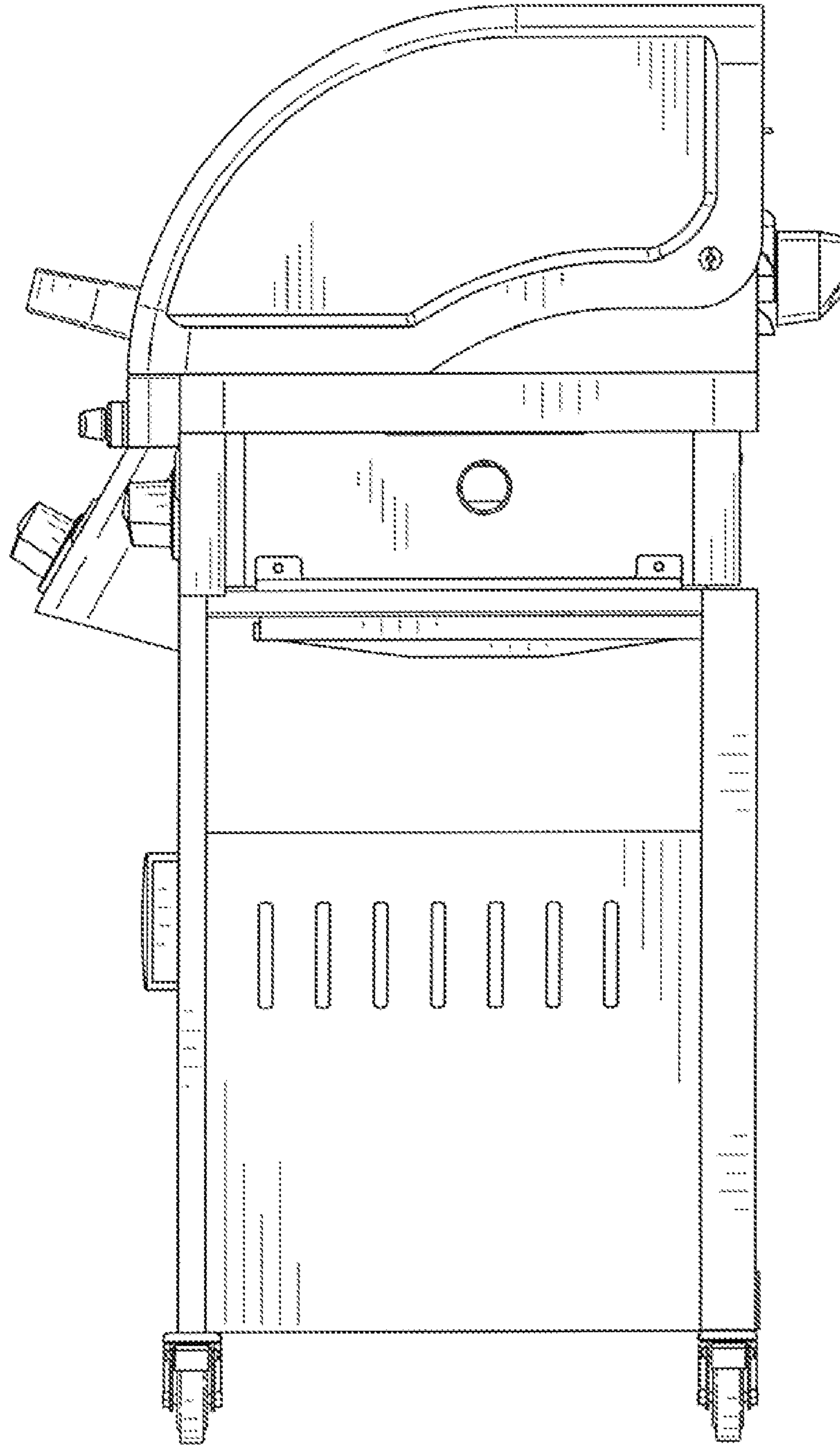


FIG. 4

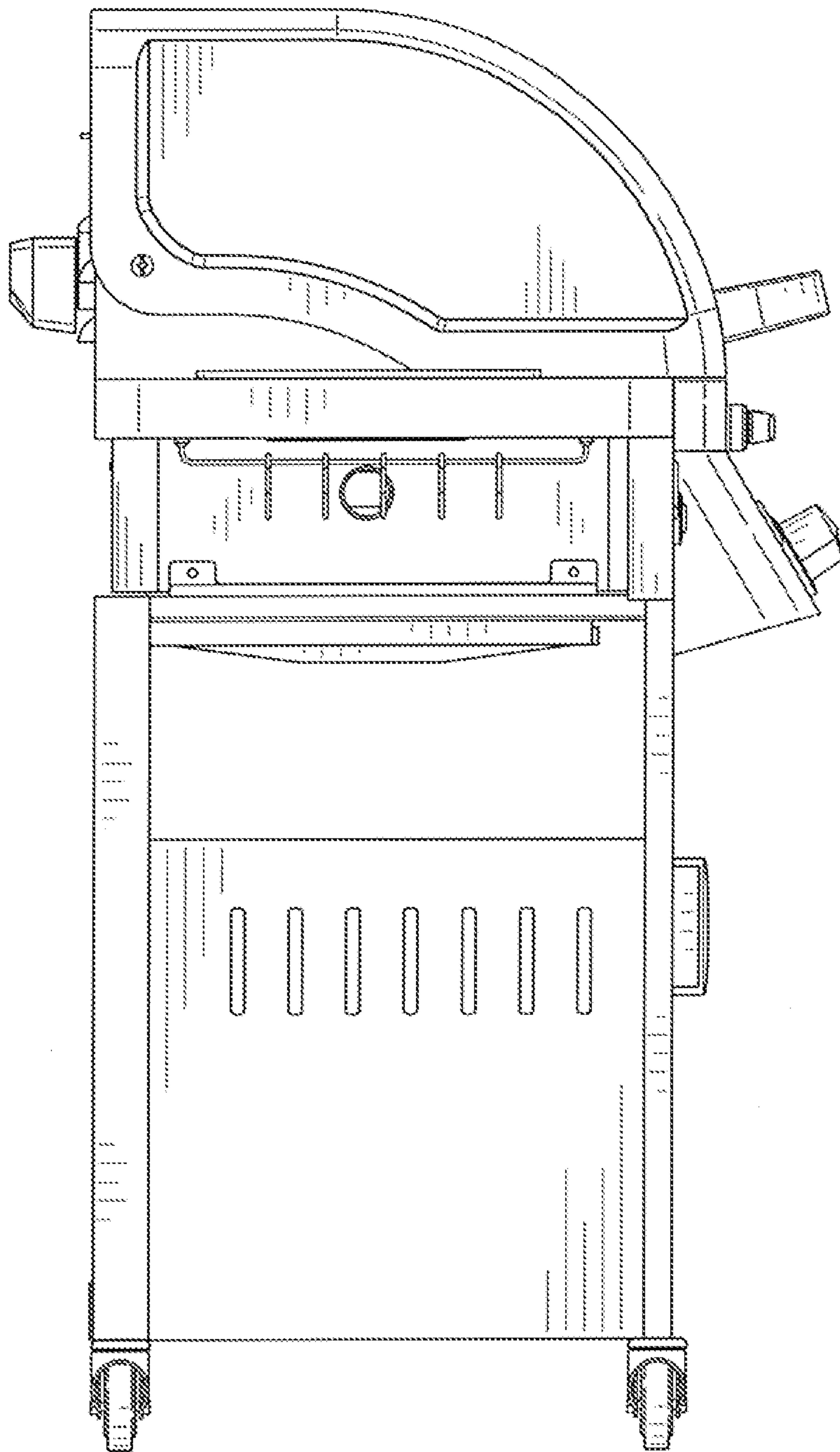


FIG. 5

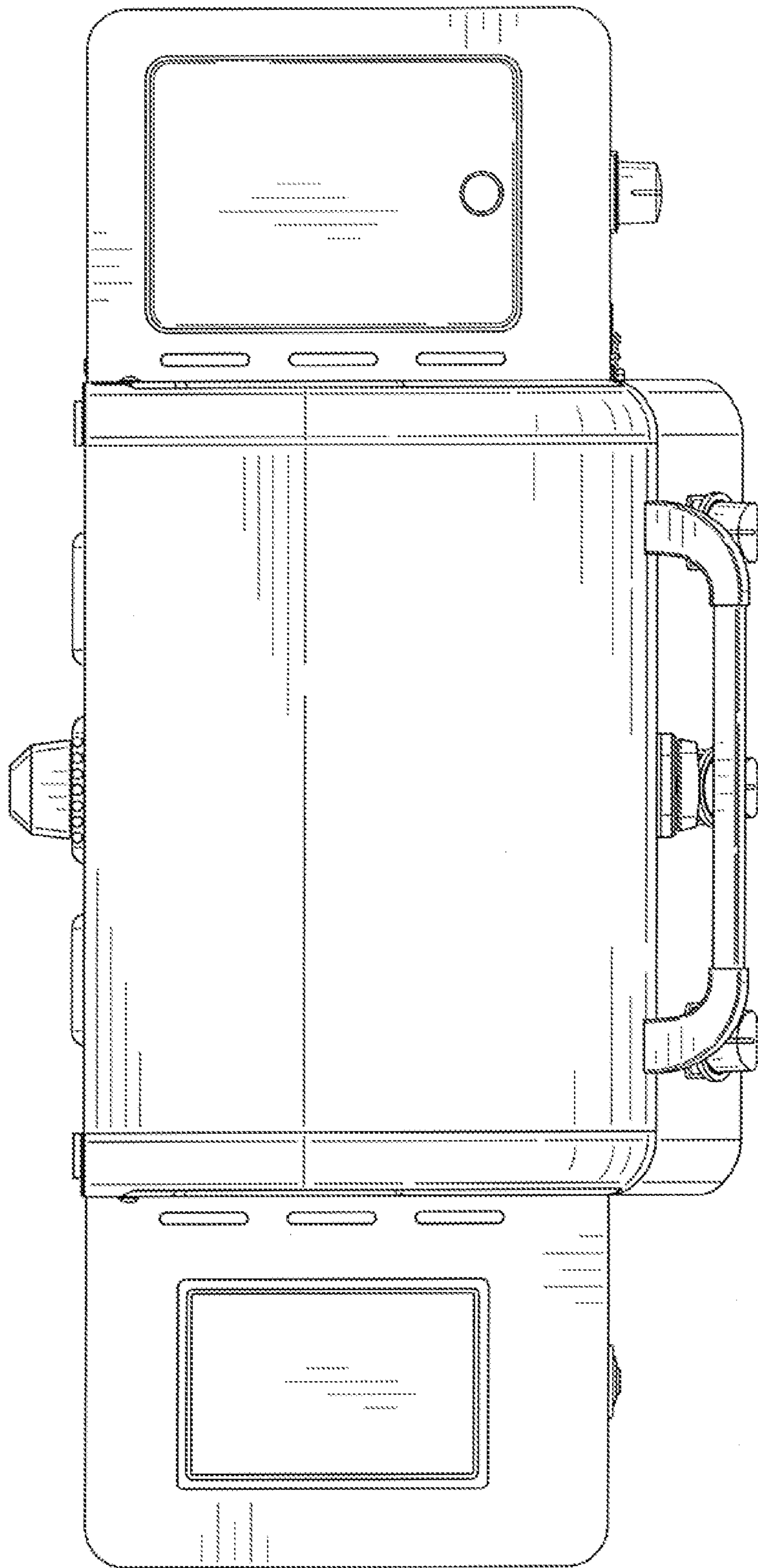


FIG. 6