



US00D662346S

(12) **United States Design Patent**
Choi et al.

(10) **Patent No.:** **US D662,346 S**
(45) **Date of Patent:** **** Jun. 26, 2012**

(54) **TOASTER**

(75) Inventors: **Charles Young Choi**, Chicago, IL (US);
Mark Richard Pavel, Lisle, IL (US);
Noah Martin Wangerin, Chicago, IL (US)

(73) Assignee: **Hamilton Beach Brands, Inc.**, Glen Allen, VA (US)

(**) Term: **14 Years**

(21) Appl. No.: **29/412,677**

(22) Filed: **Feb. 7, 2012**

(51) **LOC (9) Cl.** **07-02**

(52) **U.S. Cl.** **D7/330**

(58) **Field of Classification Search** D7/323,
D7/328-334, 340-341, 346, 350.4, 354-365,
D7/367, 390, 402, 405-411; 99/326-327,
99/329 R, 329 RT, 331-332, 341, 349, 357,
99/375, 385-392, 400, 423; 219/385-392,
219/405, 443.1, 450.1, 489, 492, 532; 426/233,
426/523

See application file for complete search history.

(56) **References Cited**

U.S. PATENT DOCUMENTS

D144,870 S * 5/1946 Platkin D7/329
D338,592 S 8/1993 Myers et al.
D345,074 S 3/1994 Myers et al.
D394,983 S 6/1998 Garrett et al.

D413,224 S 8/1999 Cruz et al.
D422,832 S 4/2000 Gaynor et al.
6,058,829 A * 5/2000 Endres 99/329 RT
D489,564 S * 5/2004 Enriquez et al. D7/330
D502,839 S 3/2005 Cuffaro et al.
D510,676 S * 10/2005 Picozza et al. D7/330
D523,683 S * 6/2006 Guyett et al. D7/330
D525,475 S * 7/2006 Yeung D7/330
D527,569 S * 9/2006 Cohen et al. D7/330
D529,753 S 10/2006 Lynch et al.
D562,054 S * 2/2008 Verdun D7/330
D598,697 S * 8/2009 De Pra' D7/330
D615,343 S 5/2010 Bock et al.
D635,390 S * 4/2011 Duncan et al. D7/330

* cited by examiner

Primary Examiner — Ricky Pham

(74) *Attorney, Agent, or Firm* — Alexander D. Raring

(57) **CLAIM**

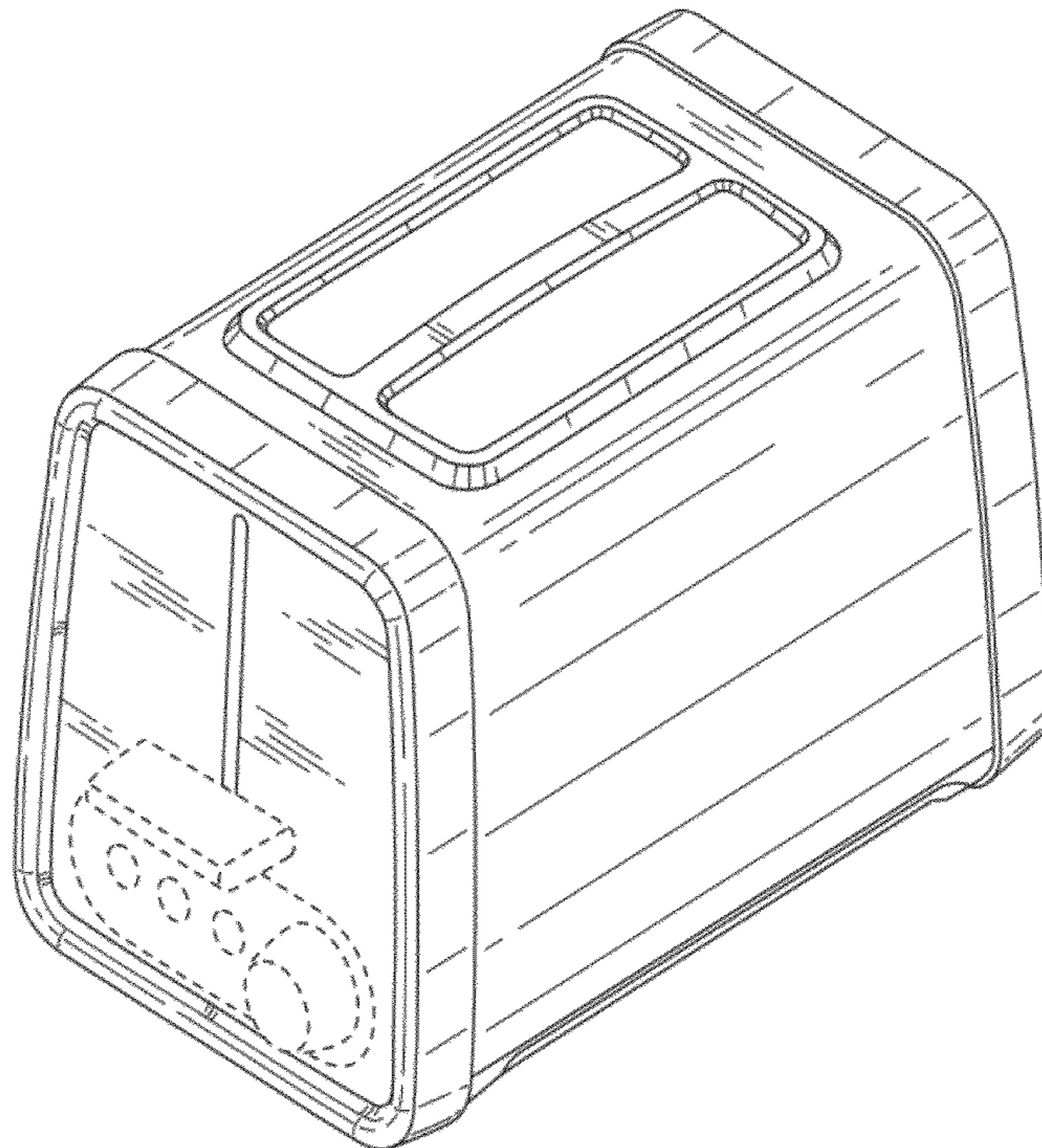
The ornamental design for a toaster, as shown and described.

DESCRIPTION

FIG. 1 is a perspective view as seen from the top, front and right side of a toaster oven showing the new design; FIG. 2 is a front view thereof; FIG. 3 is a rear view thereof; FIG. 4 is a right side view thereof; FIG. 5 is a left side view thereof; FIG. 6 is a top view thereof; and, FIG. 7 is a bottom view thereof.

The broken lines in the drawings are included for illustrative purposes only and form no part of the claimed design.

1 Claim, 7 Drawing Sheets



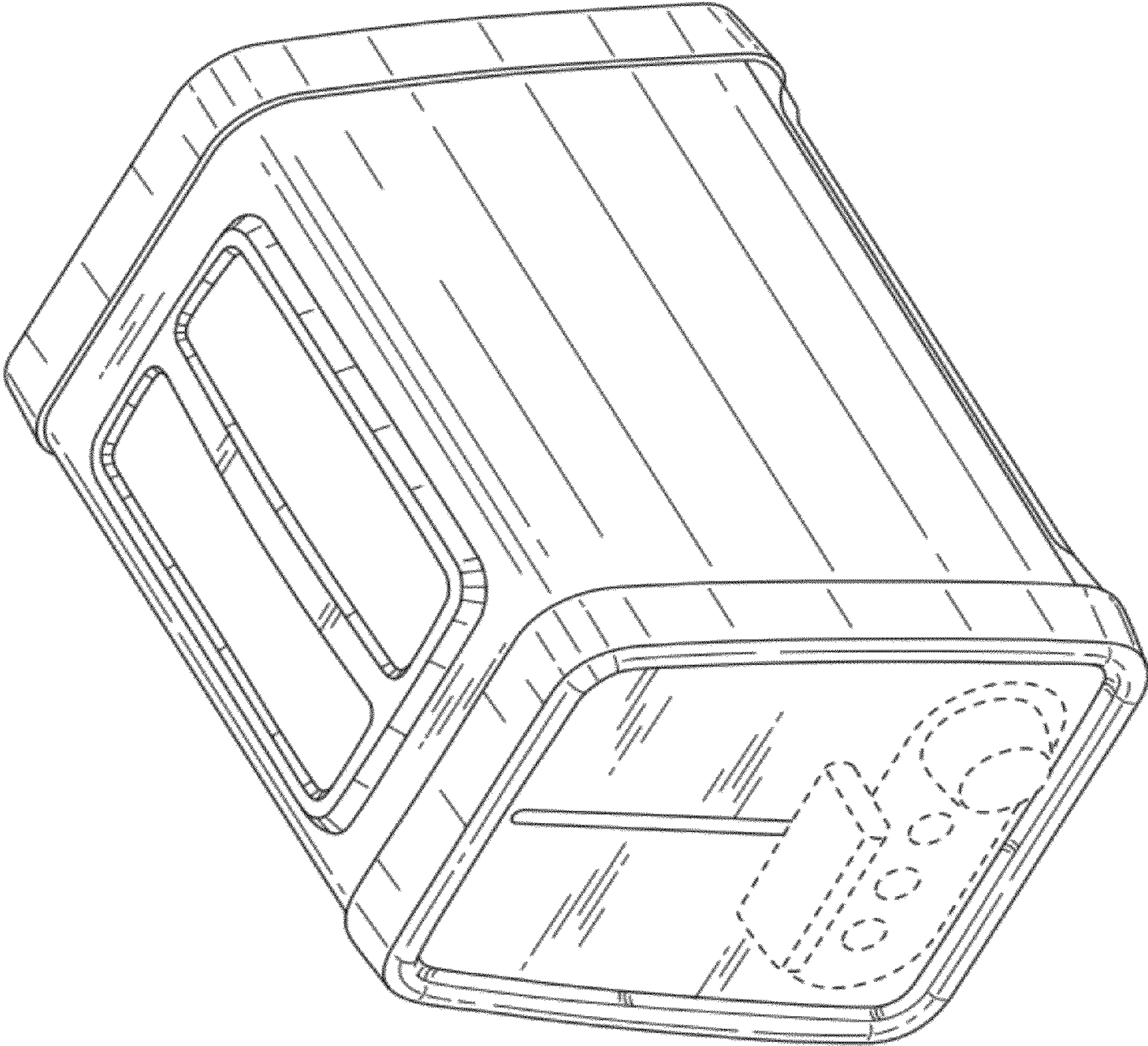


FIG. 1

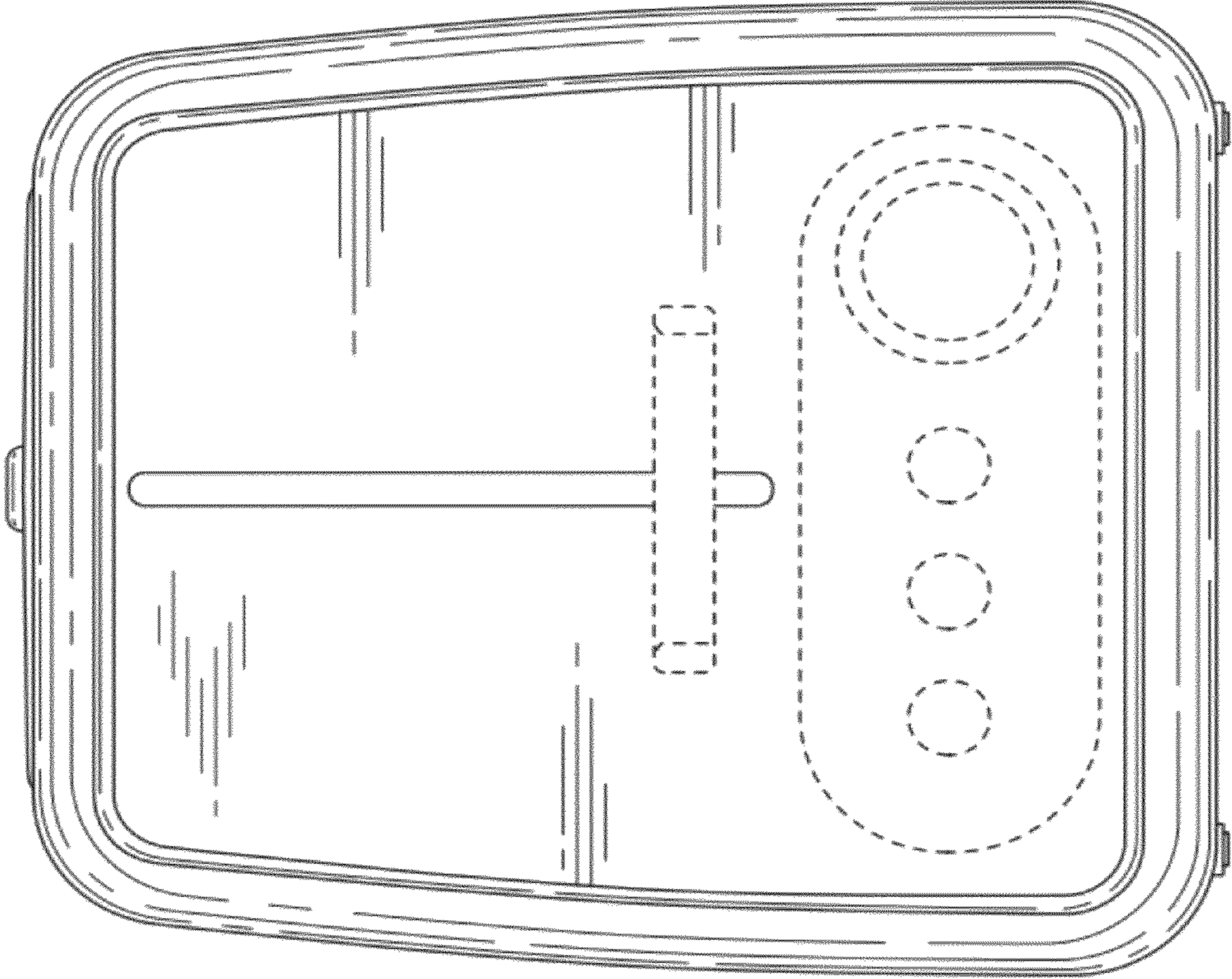


FIG. 2

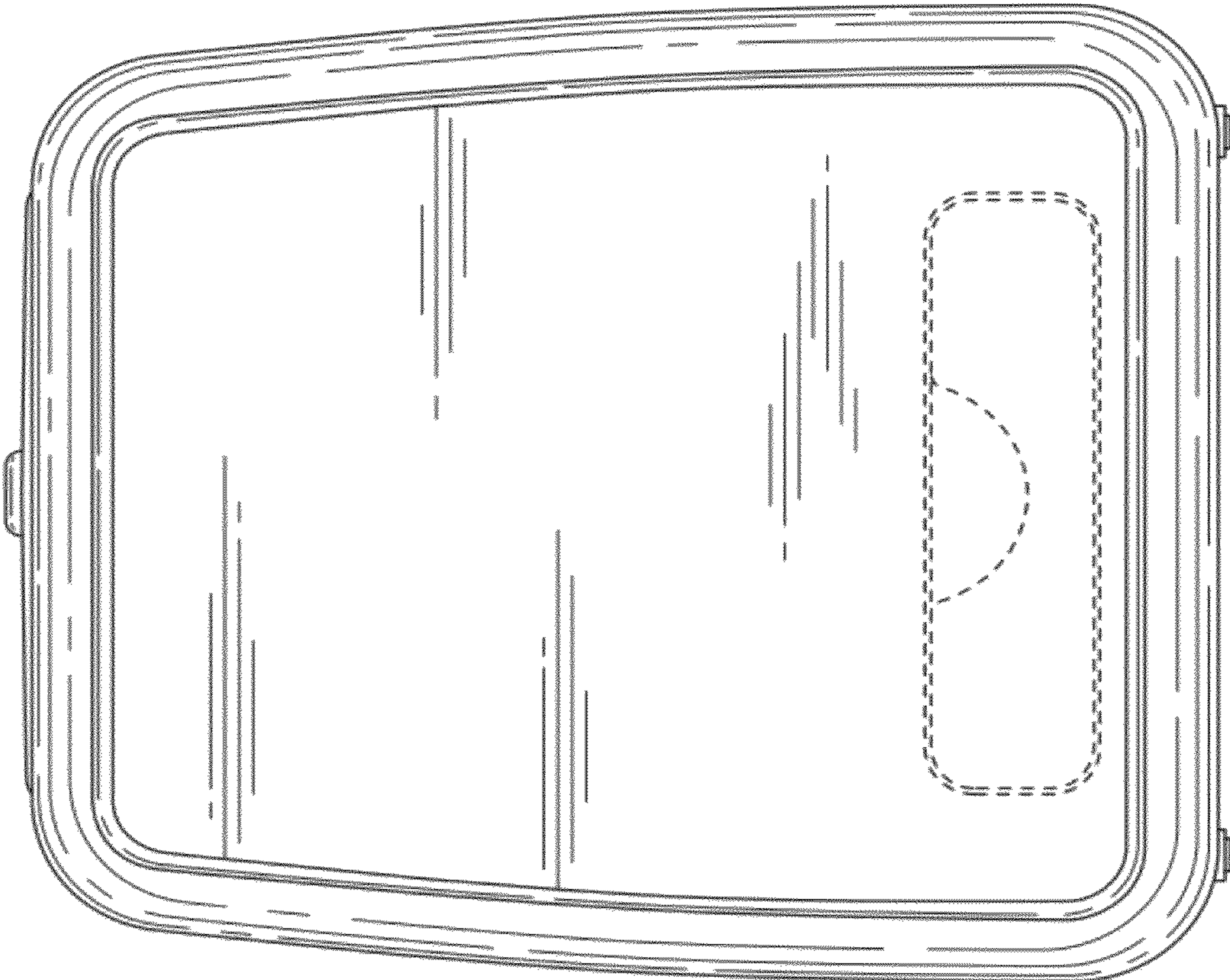


FIG. 3

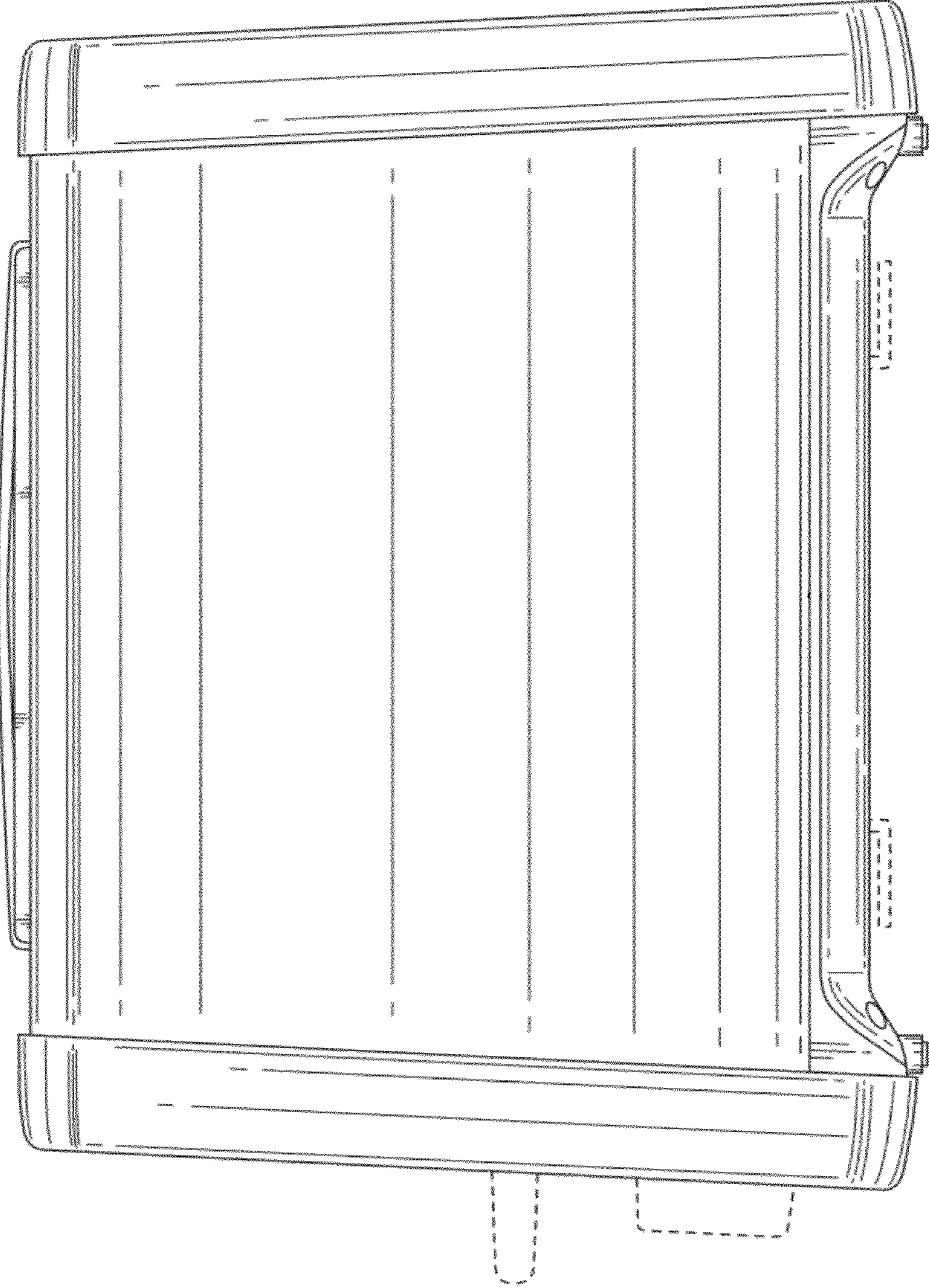


FIG. 4

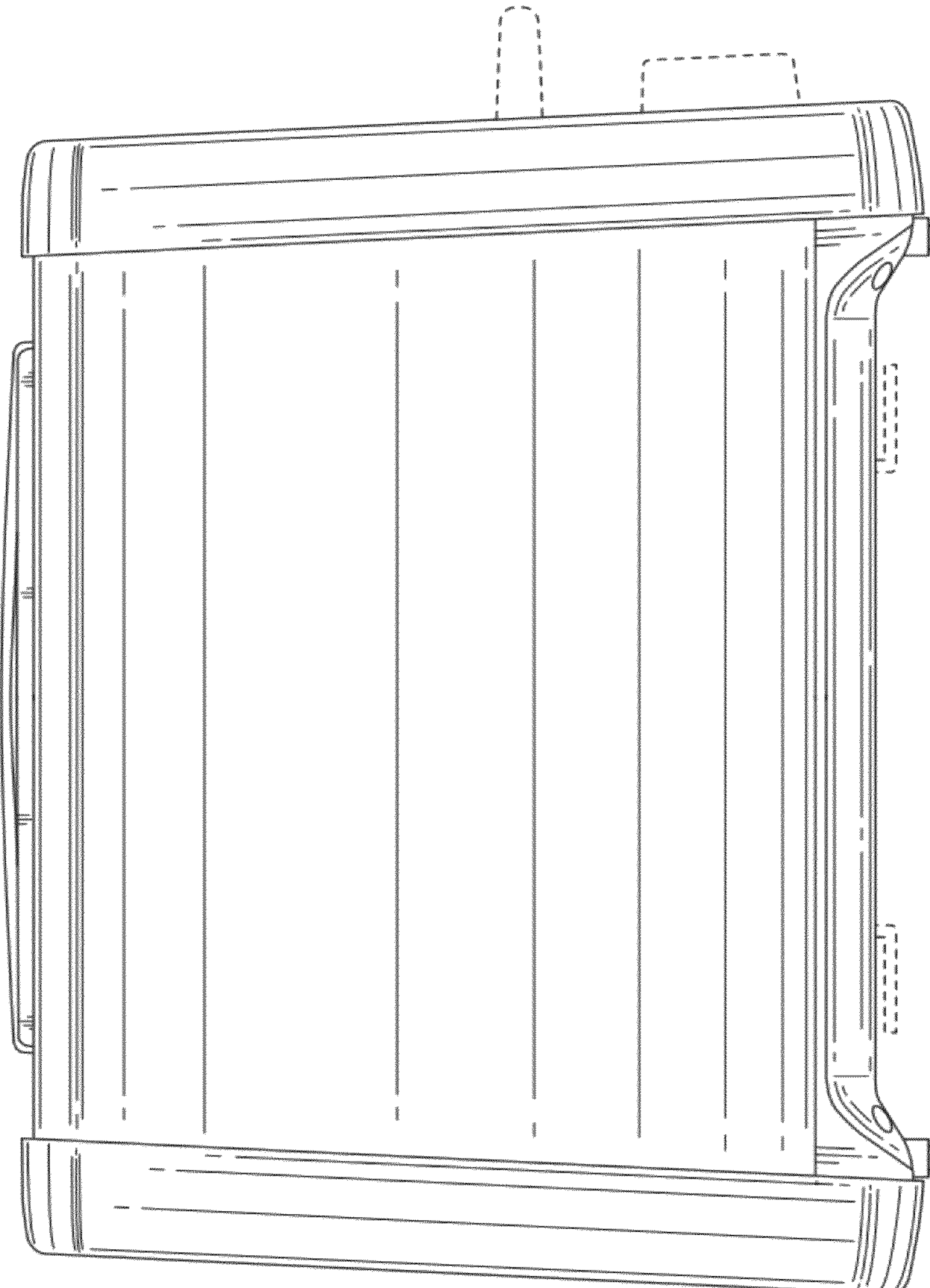


FIG. 5

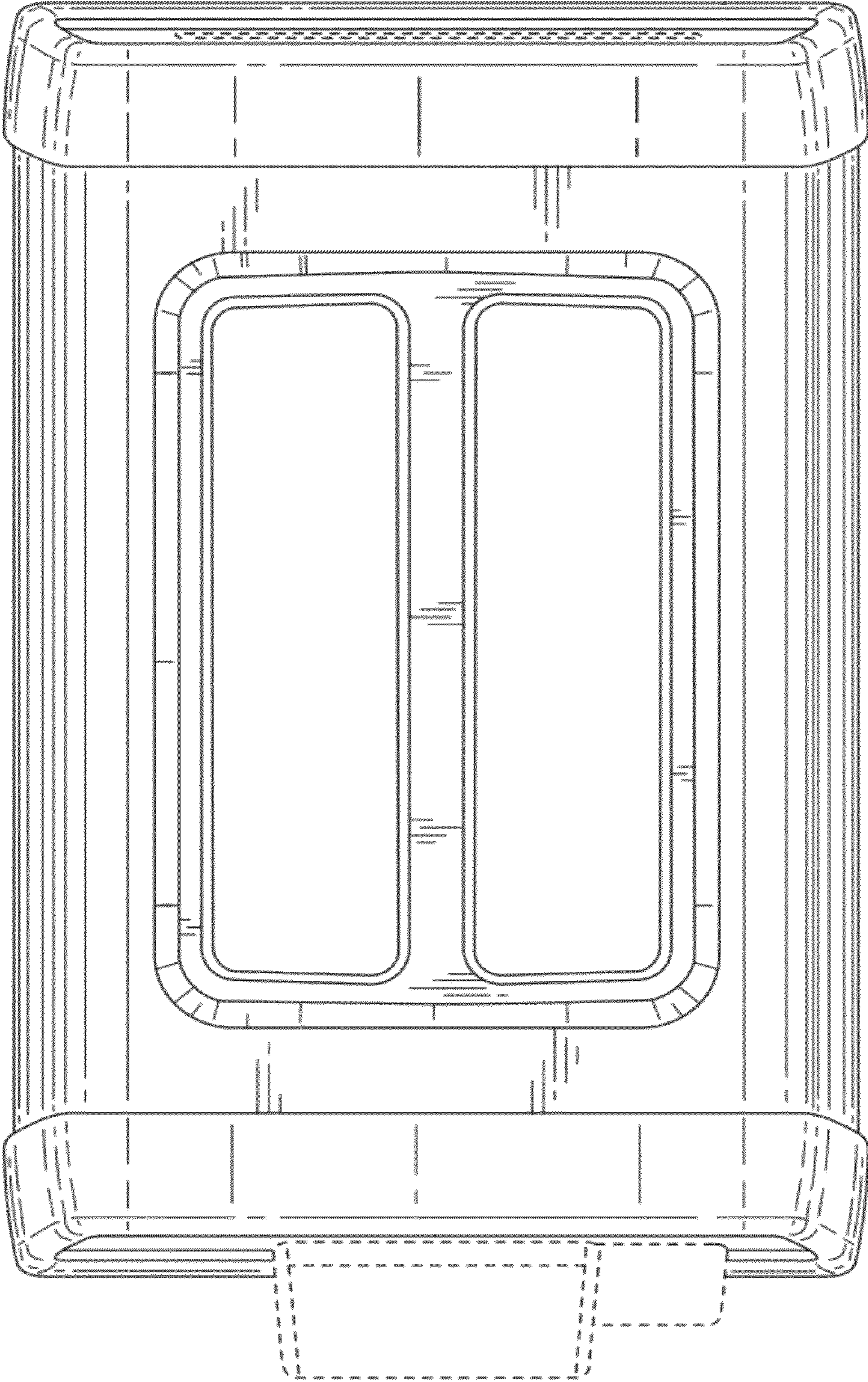


FIG. 6

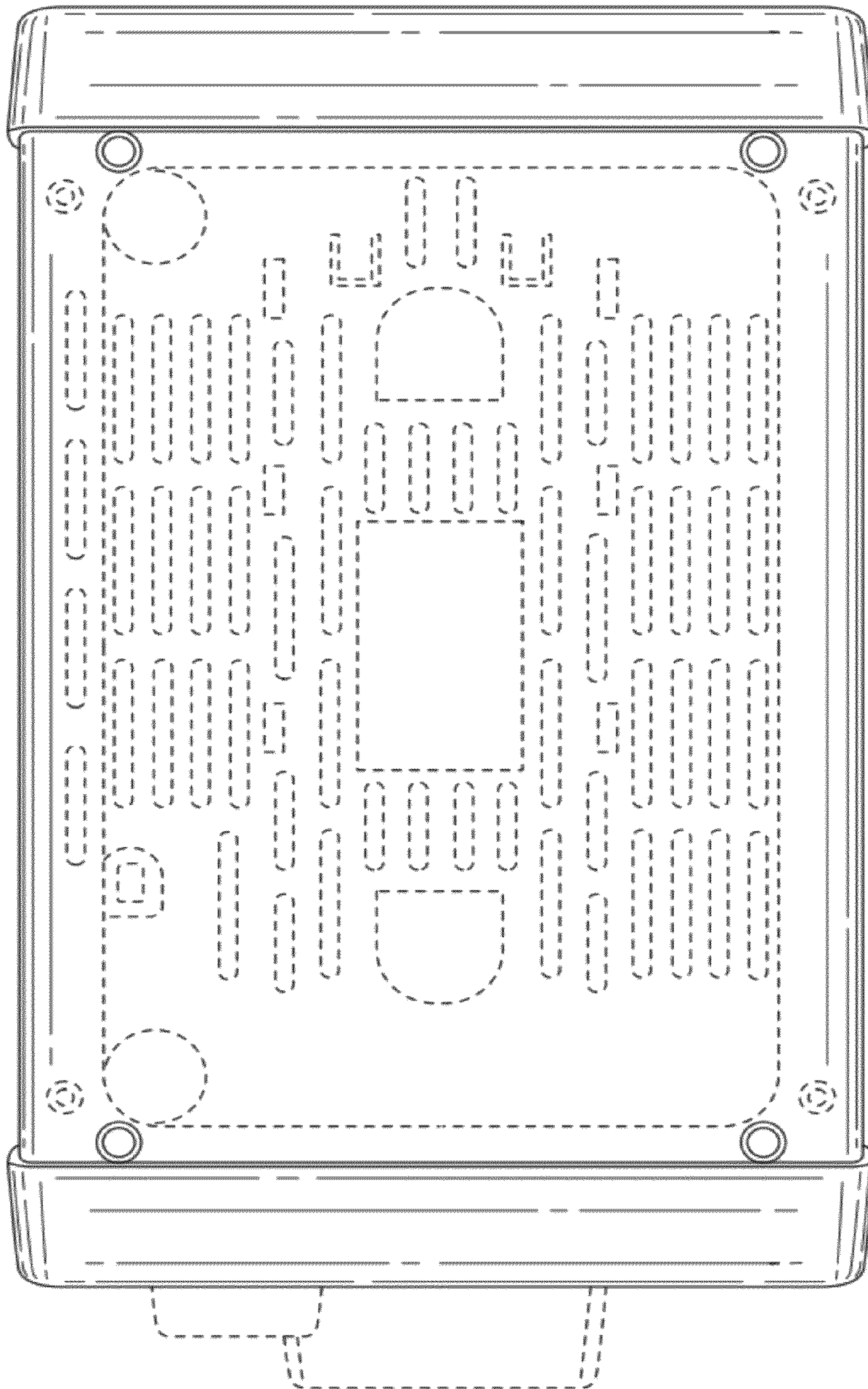


FIG. 7