

US00D662345S

(12) **United States Design Patent**  
**Cuenod**

(10) **Patent No.:** **US D662,345 S**  
(45) **Date of Patent:** **\*\* Jun. 26, 2012**

(54) **COVER FOR A VEHICLE SEAT**

(76) Inventor: **Fernand Michel Cuenod**, Lausanne  
(CH)

(\*\*) Term: **14 Years**

(21) Appl. No.: **29/402,143**

(22) Filed: **Sep. 21, 2011**

(30) **Foreign Application Priority Data**

Mar. 22, 2011 (EM) ..... 001838848-0001

(51) **LOC (9) Cl.** ..... **06-13**

(52) **U.S. Cl.** ..... **D6/611**

(58) **Field of Classification Search** ..... D6/610,  
D6/611, 445, 490, 596, 601, 602, 603, 615,  
D6/617, 621; D12/401-405; 135/87, 88.01,  
135/95; 150/165-167, 158, 154; 280/770;  
296/136.1, 136.01, 136.11; D7/306, 307;  
297/218.1-218.5, 219.1-229; D23/354

See application file for complete search history.

(56) **References Cited**

**U.S. PATENT DOCUMENTS**

D309,227 S \* 7/1990 Popiolkowski ..... D6/601  
D357,609 S \* 4/1995 Webb et al. .... D6/596  
D403,195 S \* 12/1998 Irwin-Tesmer ..... D6/611  
2005/0189247 A1\* 9/2005 Traugh ..... 206/320  
2007/0017764 A1\* 1/2007 Cheng et al. .... 190/100

2007/0044879 A1\* 3/2007 Watanabe et al. .... 150/165  
2009/0194210 A1\* 8/2009 Montross ..... 150/154  
2010/0232731 A1\* 9/2010 Shaul ..... 383/37

\* cited by examiner

*Primary Examiner* — Caron D Veynar

*Assistant Examiner* — Katrina A Betton

(74) *Attorney, Agent, or Firm* — Edell, Shapiro & Finnan,  
LLC

(57) **CLAIM**

The ornamental design for a cover for a vehicle seat, as shown  
and described.

**DESCRIPTION**

FIG. 1 is a front, left perspective view from above of a cover  
for a vehicle seat showing my new design;

FIG. 2 is a rear, right perspective view from above of the cover  
for a vehicle seat of FIG. 1;

FIG. 3 is a front elevation view of the cover for a vehicle seat  
of FIG. 1;

FIG. 4 is a rear elevation view of the cover for a vehicle seat  
of FIG. 1;

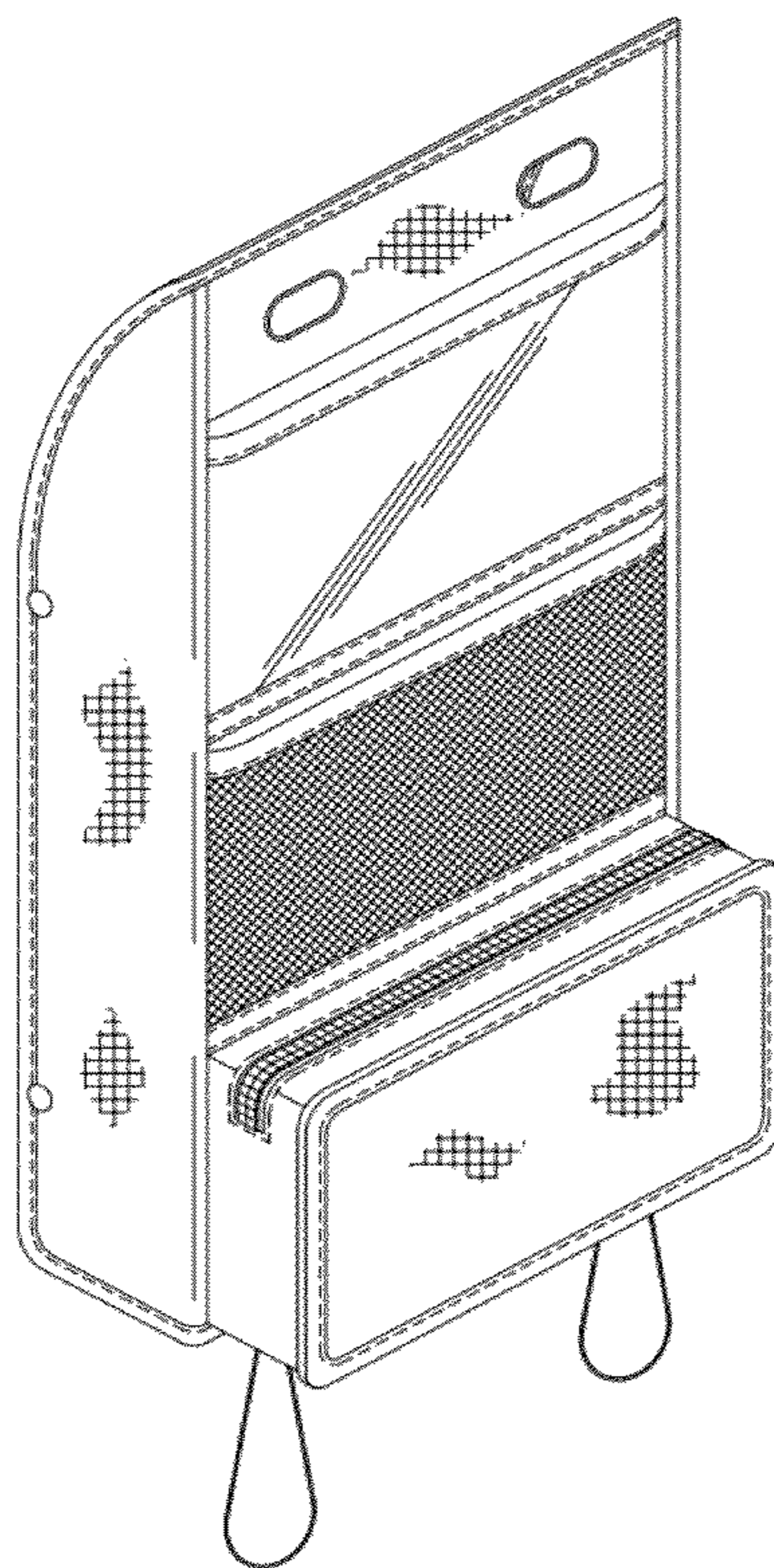
FIG. 5 is a left side elevation view of the cover for a vehicle  
seat of FIG. 1;

FIG. 6 is a right side elevation view of the cover for a vehicle  
seat of FIG. 1;

FIG. 7 is a top plan view of the cover for a vehicle seat of FIG.  
1; and,

FIG. 8 is a bottom plan view of the cover for a vehicle seat of  
FIG. 1.

**1 Claim, 7 Drawing Sheets**



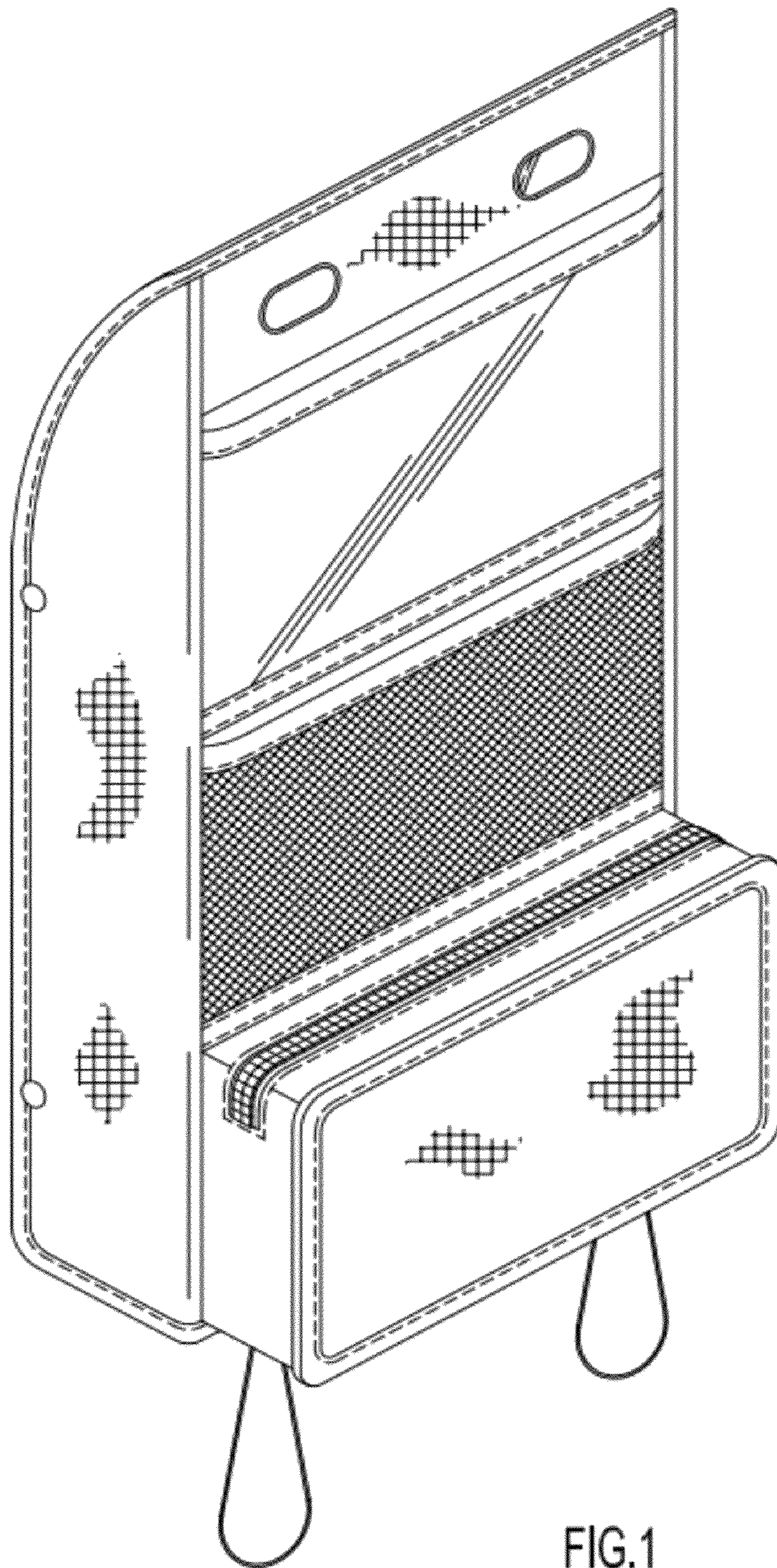


FIG.1

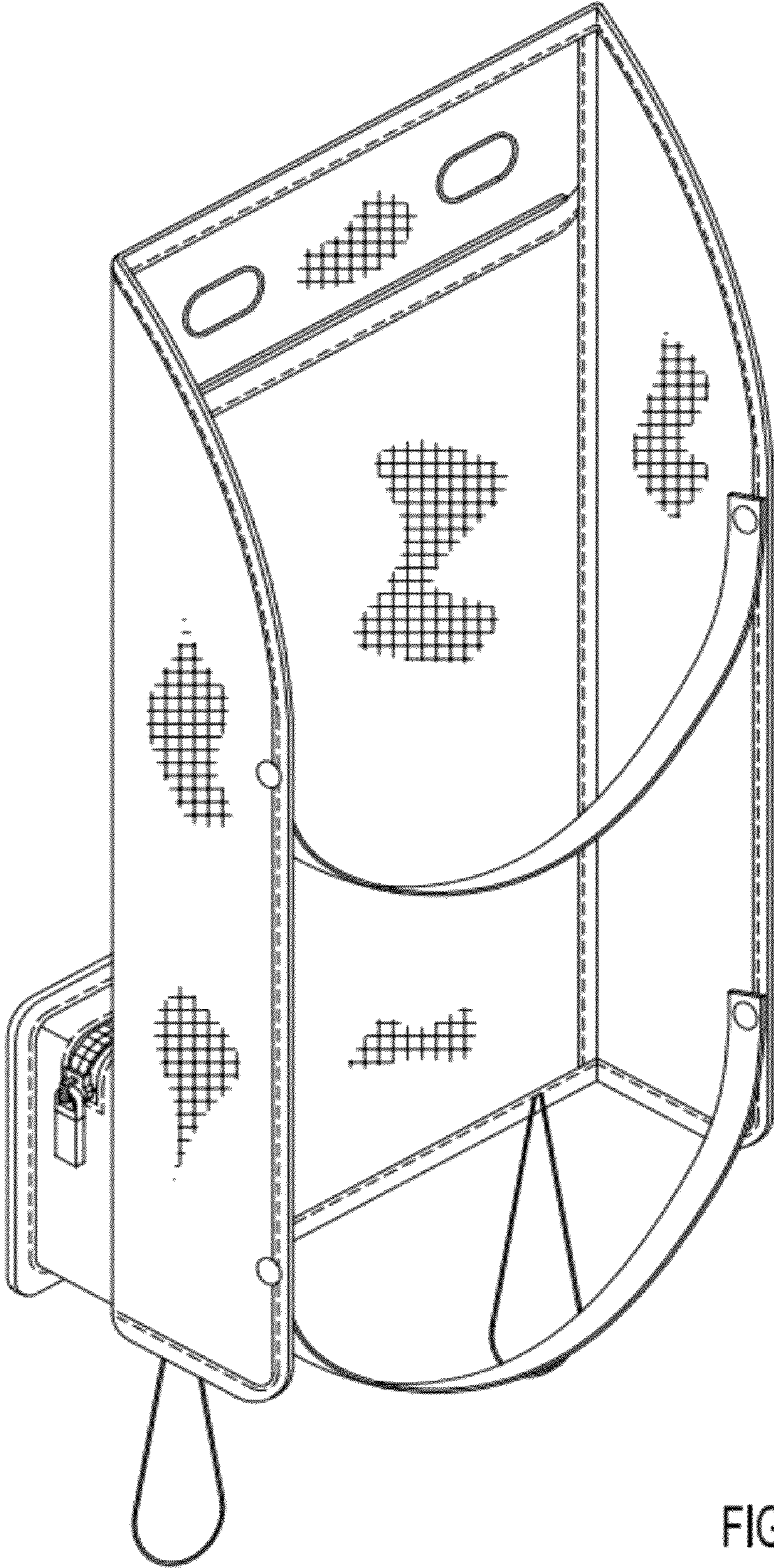


FIG.2

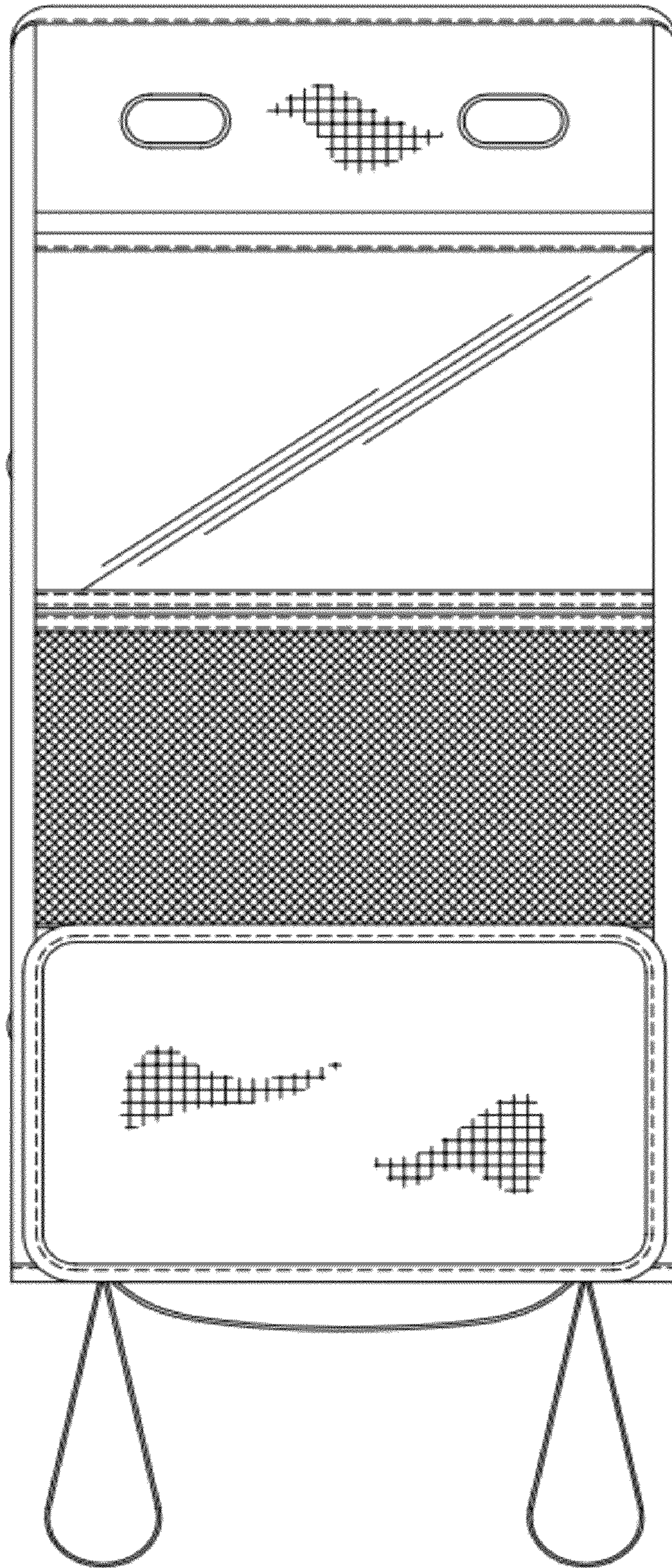


FIG.3

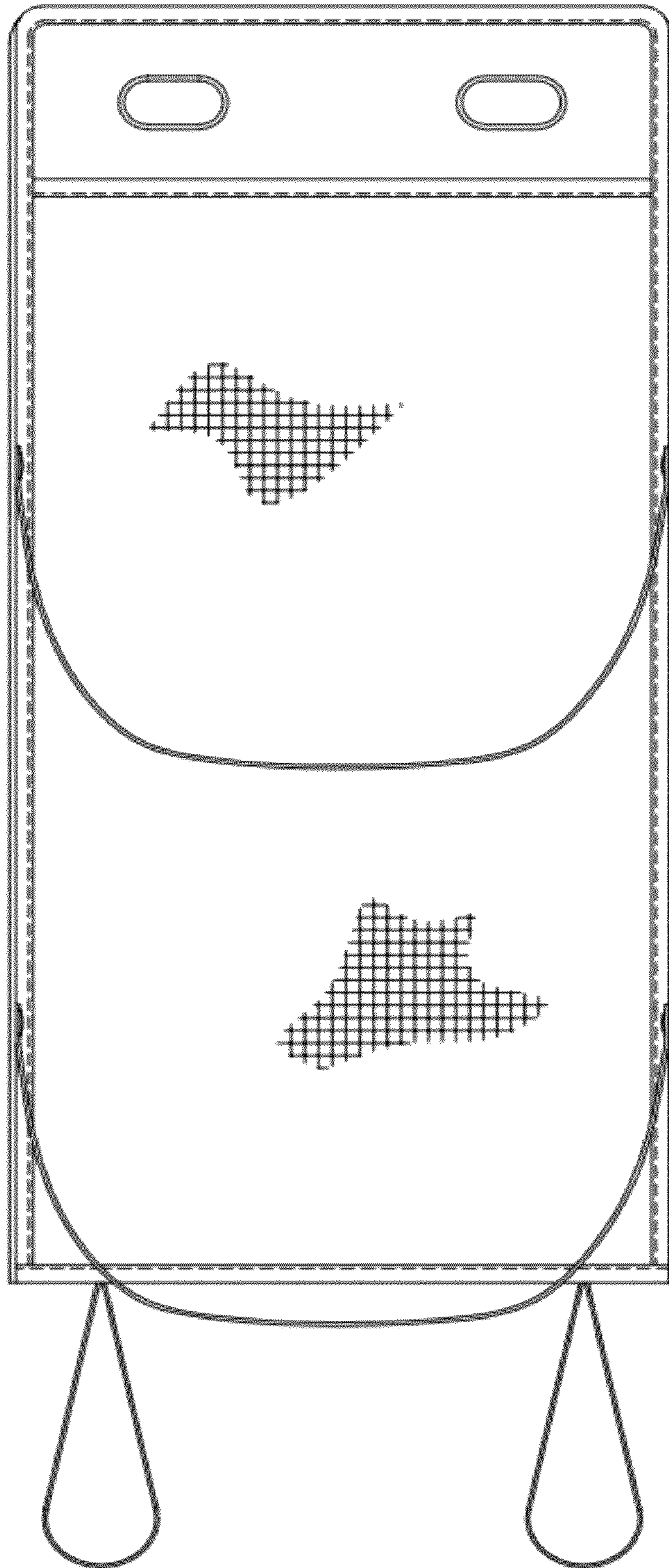


FIG.4

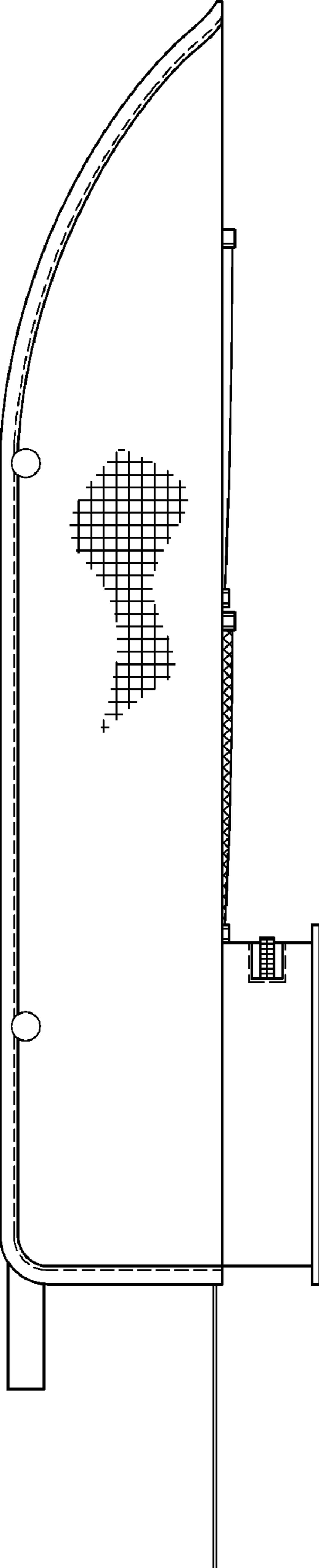


FIG.5

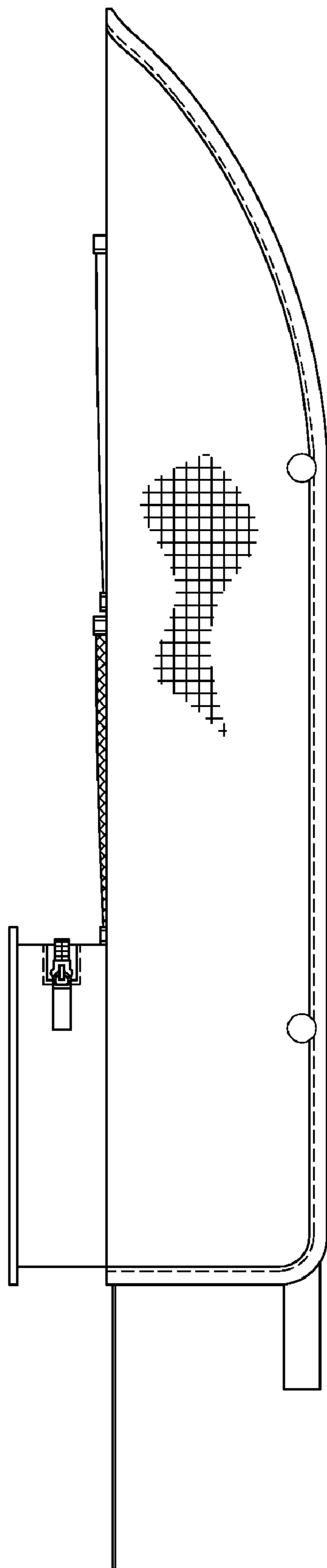


FIG.6

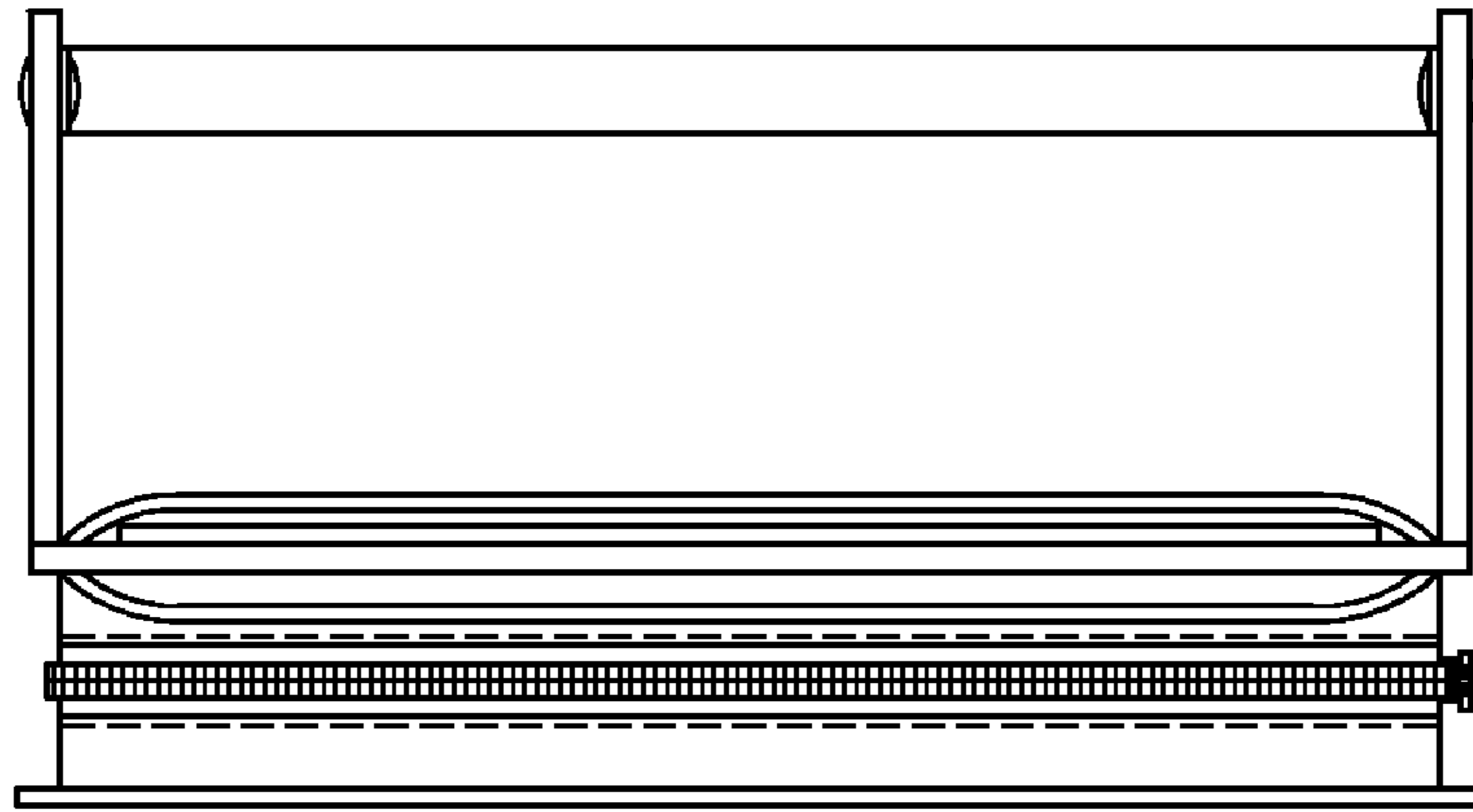


FIG. 7

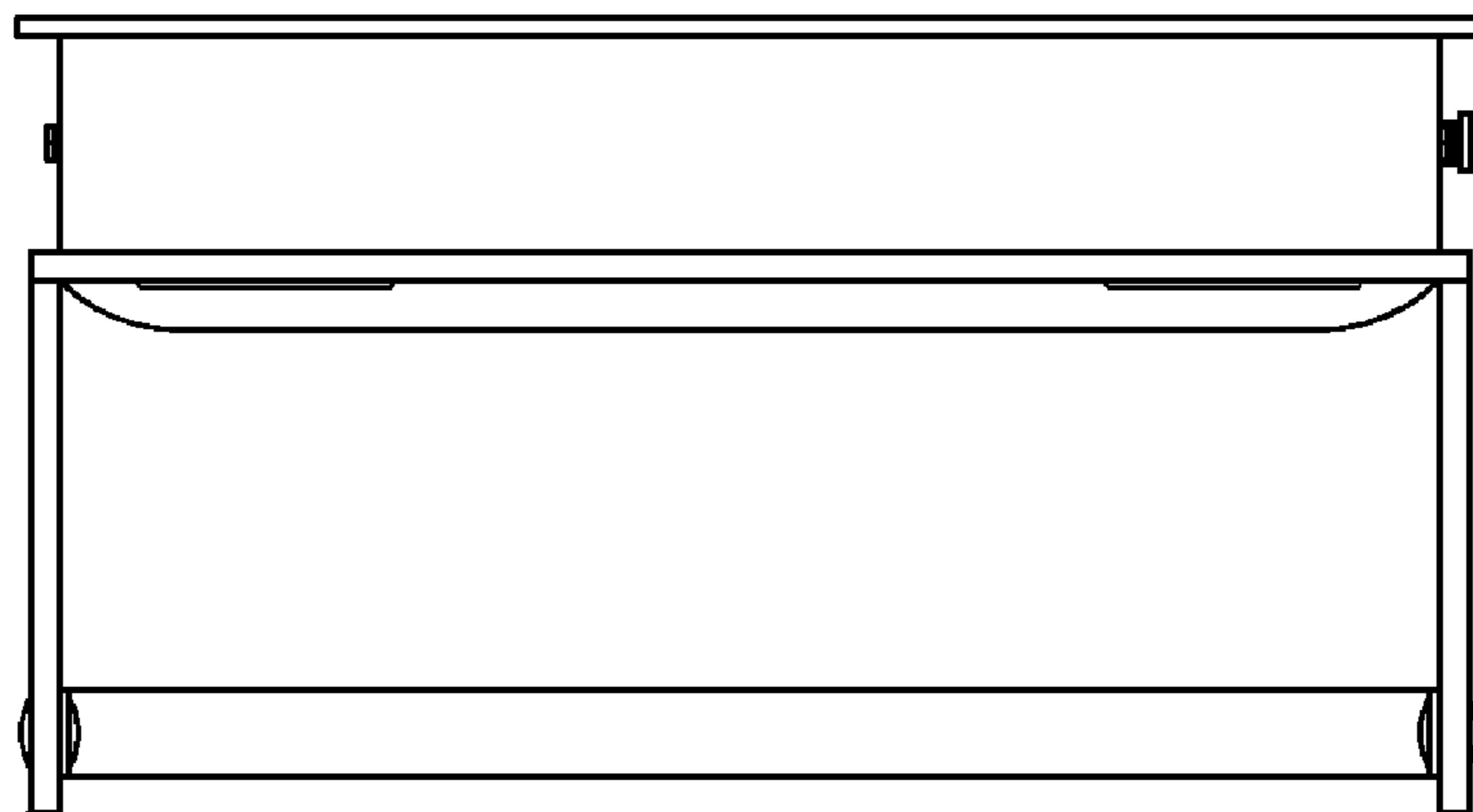


FIG. 8