

US00D662344S

(12) **United States Design Patent**  
**Cook**

(10) **Patent No.:** **US D662,344 S**  
(45) **Date of Patent:** **\*\* Jun. 26, 2012**

(54) **TABLE**

(76) Inventor: **Theodore M. Cook**, Edgewater, FL (US)

(\*\*) Term: **14 Years**

(21) Appl. No.: **29/402,462**

(22) Filed: **Sep. 23, 2011**

(51) **LOC (9) Cl.** ..... **06-04**

(52) **U.S. Cl.** ..... **D6/555; D6/513**

(58) **Field of Classification Search** ..... D6/553,  
D6/555, 567, 569; D12/172; 312/114, 126,  
312/128-129, 204, 231, 245; 211/13.1, 14,  
211/88.01, 126.1, 134  
See application file for complete search history.

(56) **References Cited**

**U.S. PATENT DOCUMENTS**

D164,980 S *	10/1951	Boggs	.....	D6/555
D305,632 S *	1/1990	Kraklio	.....	D6/555
D422,826 S *	4/2000	Wenger et al.	.....	D6/555
D583,176 S *	12/2008	Bochner et al.	.....	D6/555
D602,293 S *	10/2009	Barfield	.....	D6/555

\* cited by examiner

*Primary Examiner* — Brian N Vinson

(74) *Attorney, Agent, or Firm* — Mark R. Malek, Esq.; Zies  
Widerman & Malek

(57) **CLAIM**

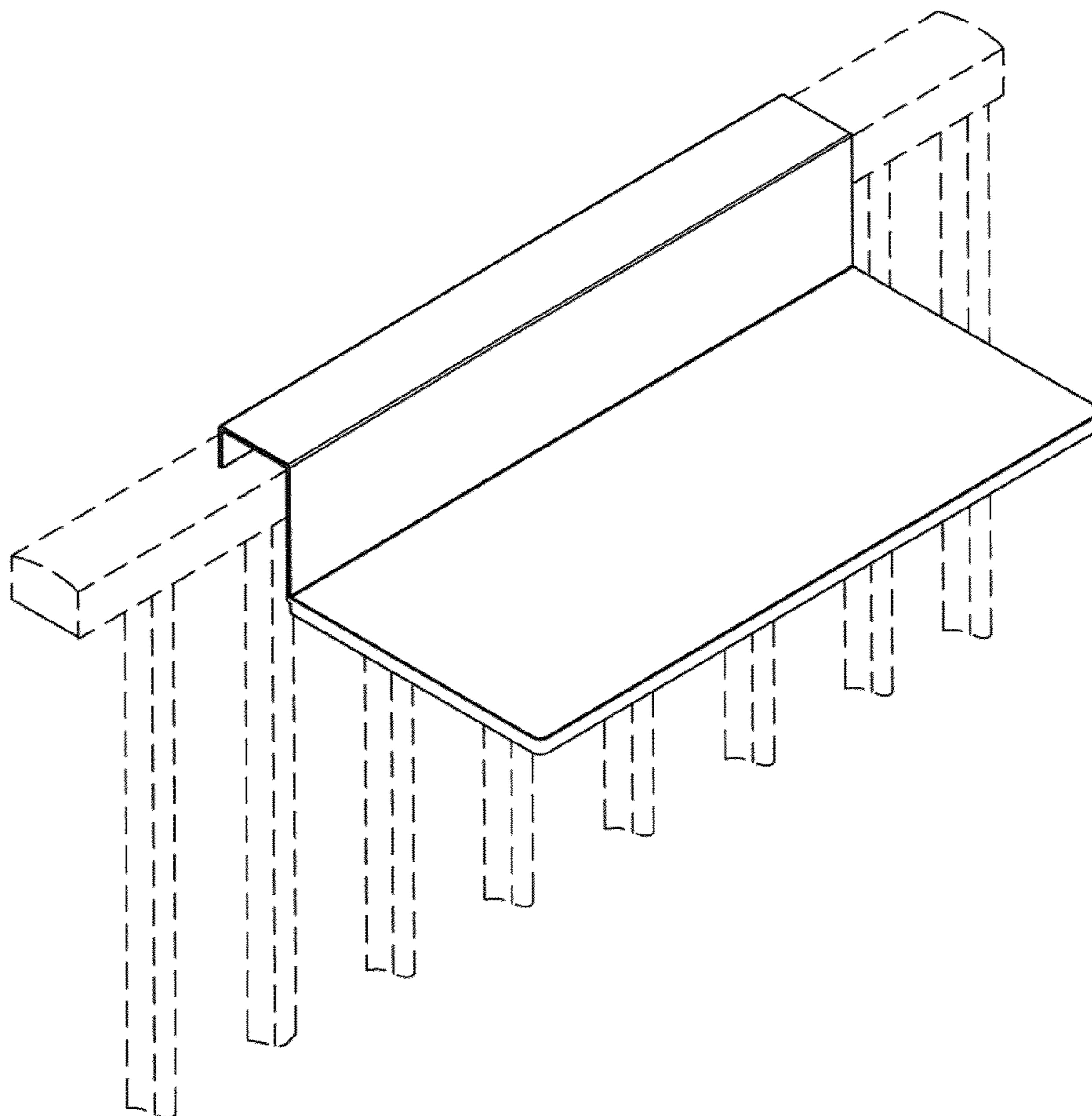
The ornamental design for a table, as shown and described.

**DESCRIPTION**

FIG. 1 is a top, front, and left side perspective view of a table showing my new design, wherein the fragmentary broken-line disclosure of a railing to which the table may be attached is for illustrative purposes only and forms no part of the claimed design;

FIG. 2 is a left side elevation view thereof;  
FIG. 3 is a right side elevation view thereof;  
FIG. 4 is a front elevation view thereof;  
FIG. 5 is a rear elevation thereof;  
FIG. 6 is a top plan view thereof; and,  
FIG. 7 is a bottom plan view thereof.

**1 Claim, 2 Drawing Sheets**



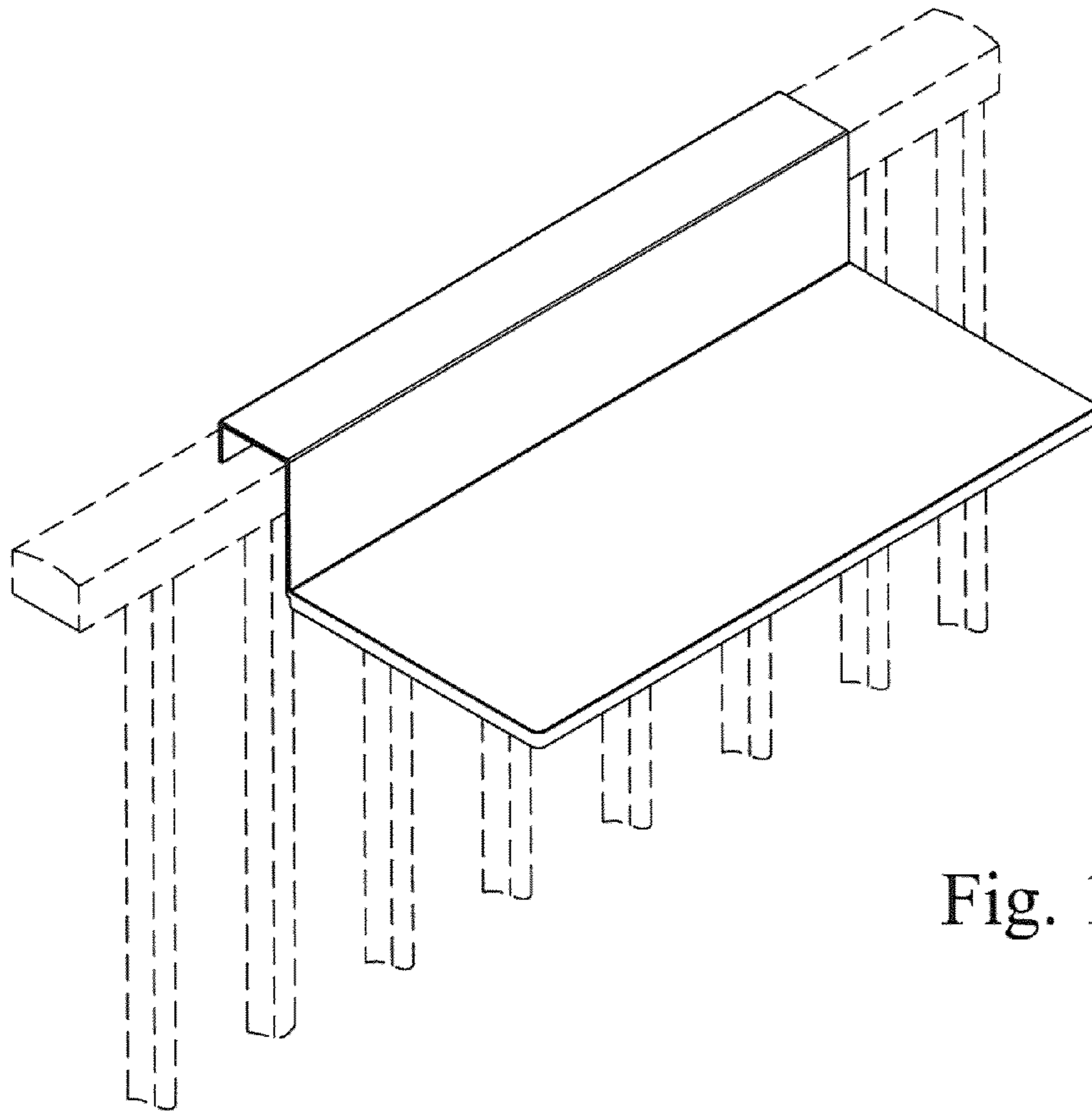


Fig. 1

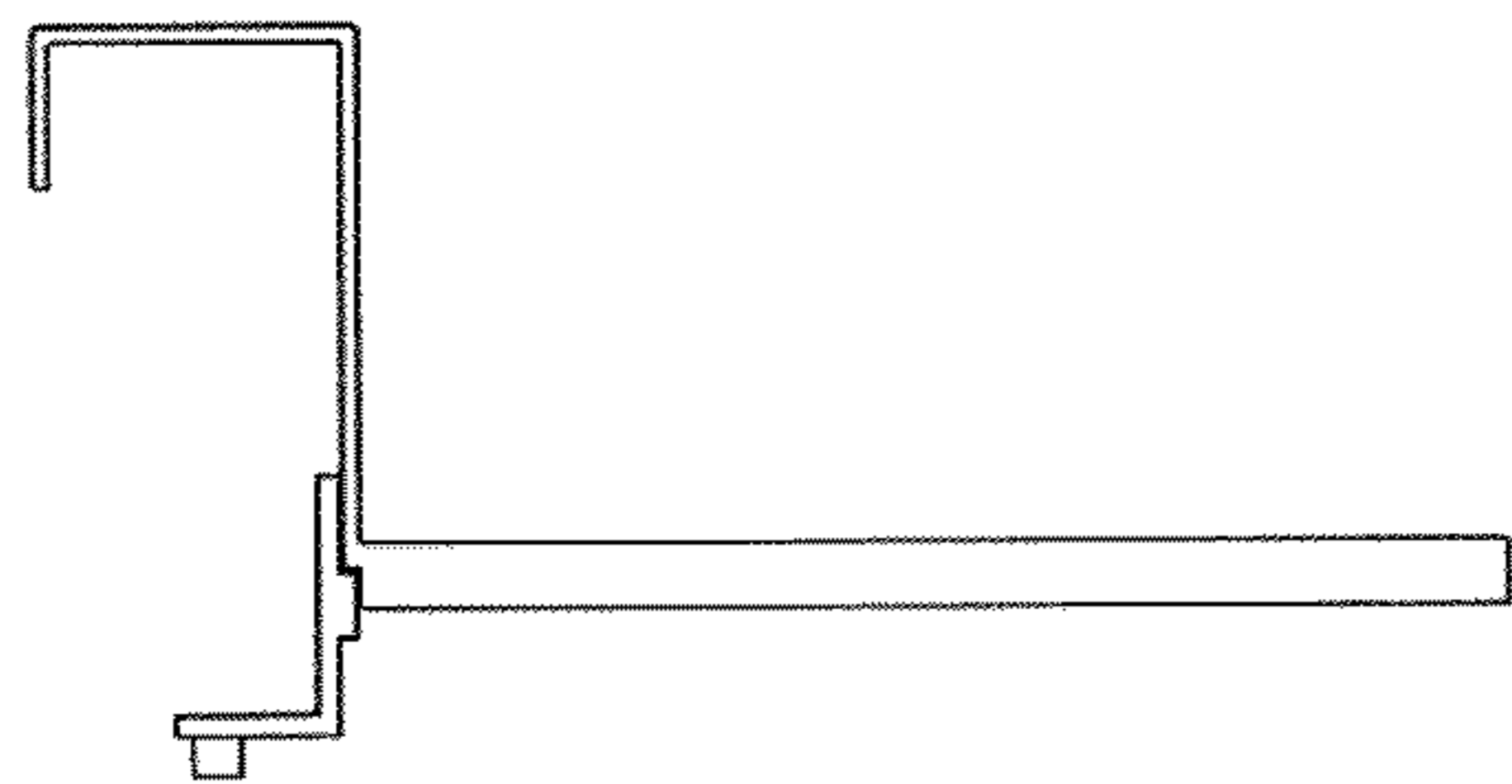


Fig. 2

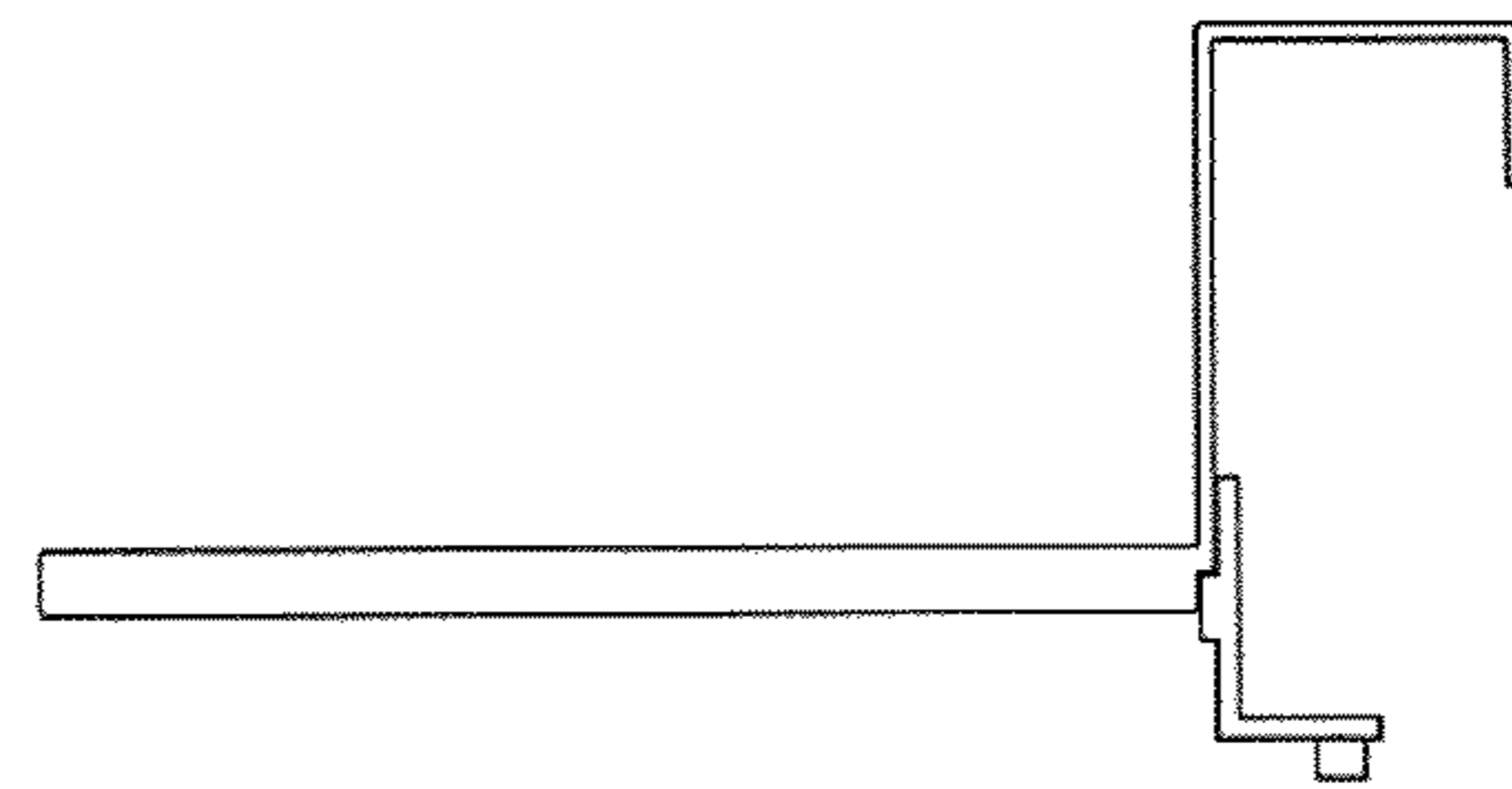


Fig. 3

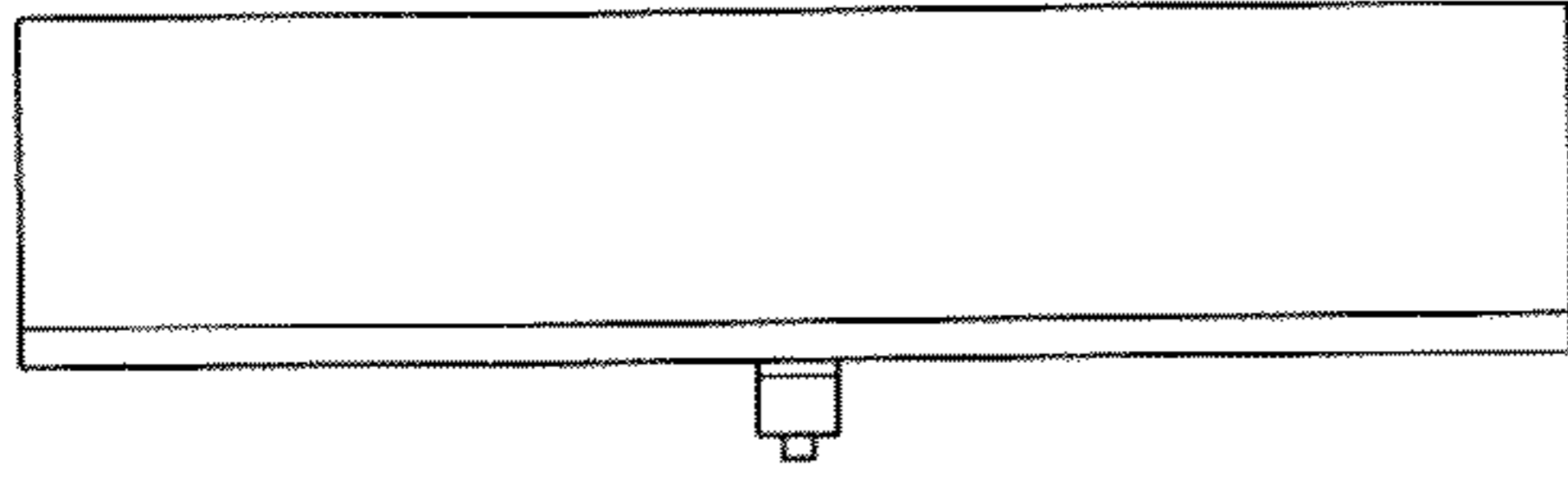


Fig. 4

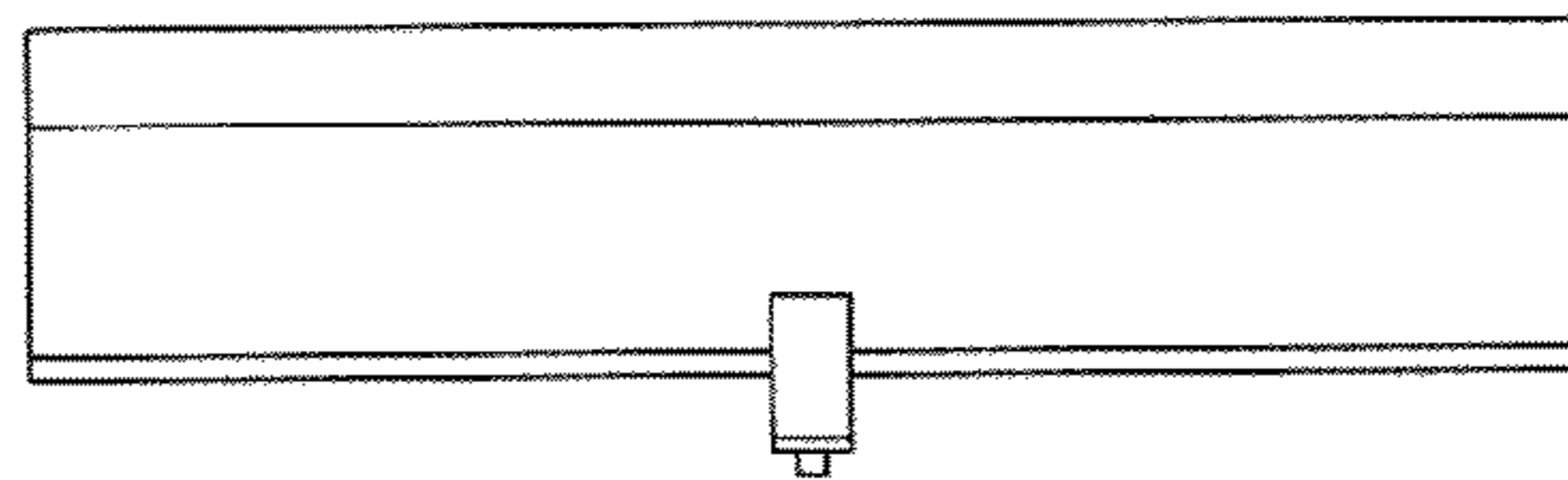


Fig. 5

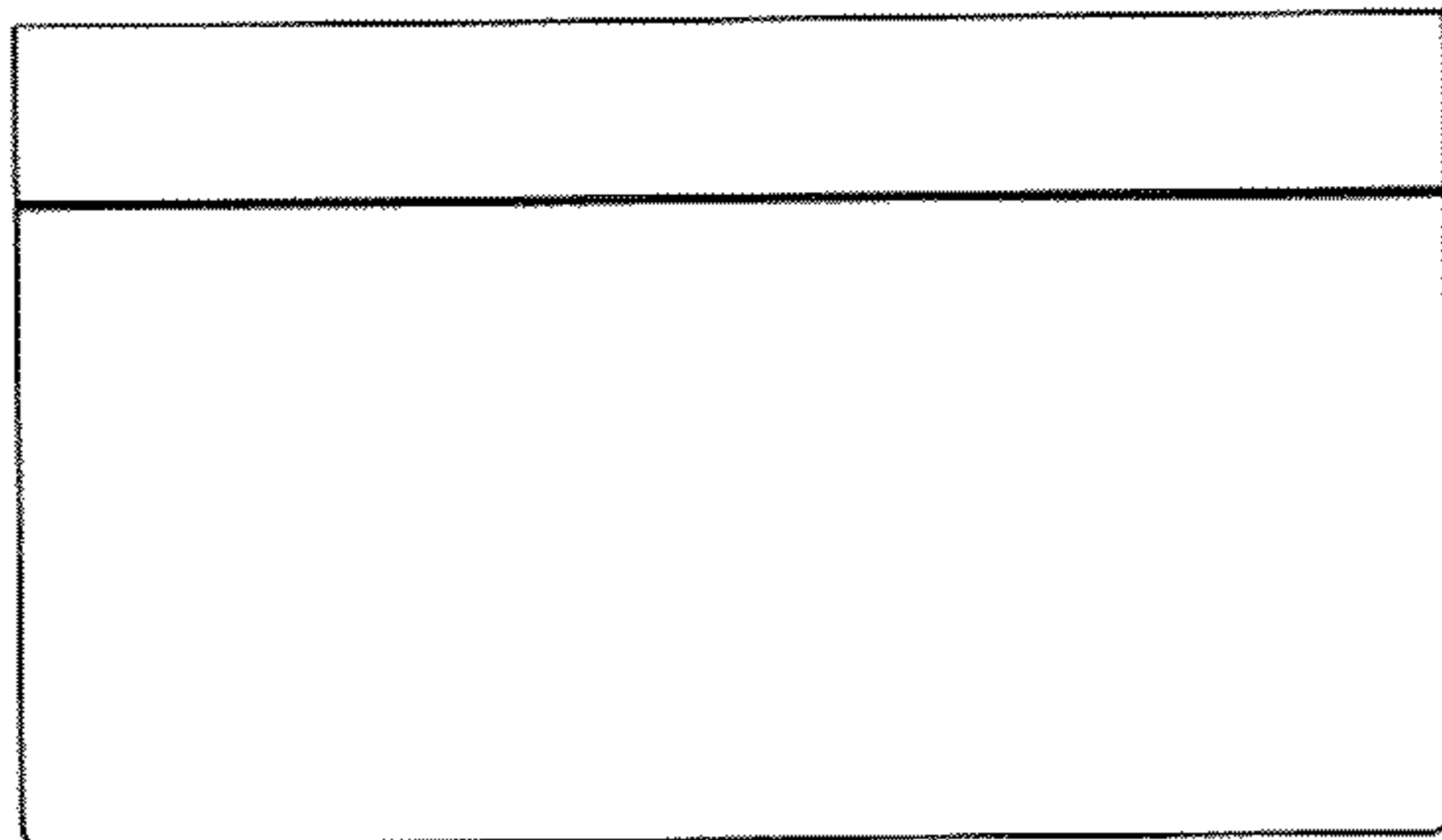


Fig. 6

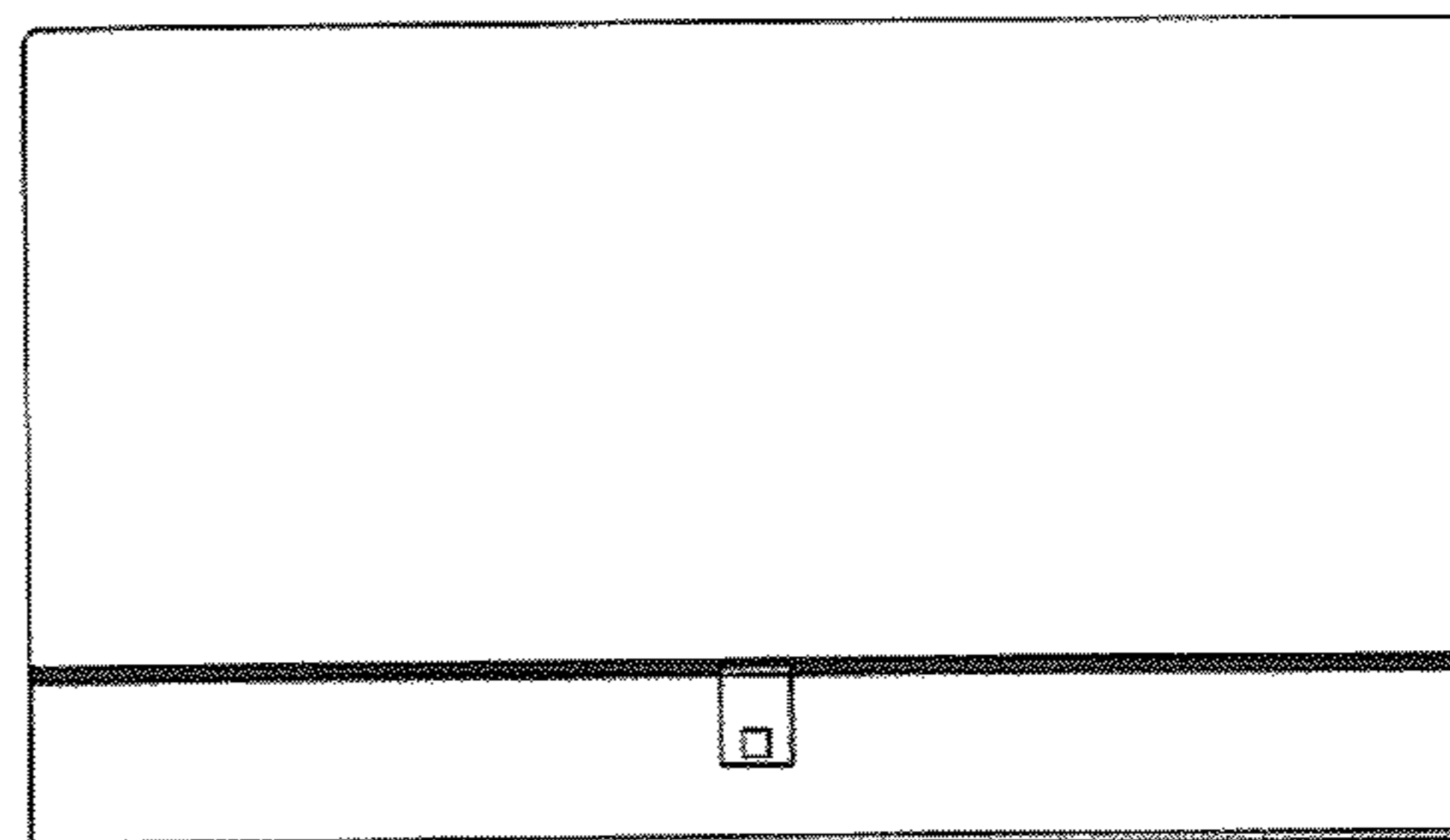


Fig. 7