

US00D662341S

(12) **United States Design Patent**
Sanders

(10) **Patent No.:** **US D662,341 S**
(45) **Date of Patent:** **** Jun. 26, 2012**

(54) **ADJUSTABLE SHELF**
(75) Inventor: **Keith Sanders**, Spanish Fork, UT (US)
(73) Assignee: **Prosteel Security Products, Inc.**, Provo, UT (US)
(**) Term: **14 Years**
(21) Appl. No.: **29/401,910**

(22) Filed: **Sep. 16, 2011**
(51) **LOC (9) Cl.** **06-02**
(52) **U.S. Cl.** **D6/511; D8/363**
(58) **Field of Classification Search** D8/40, D8/349, 353, 354, 363, 366, 373, 380, 381, D8/394; D25/119, 126, 131, 132; 52/426, 52/506.06, 506.07, 686, 687; 248/208, 235, 248/237, 245, 247, 243, 265, 267; D6/511, D6/574

See application file for complete search history.

(56) **References Cited**

U.S. PATENT DOCUMENTS

3,965,826	A	6/1976	Markham	
3,982,801	A	9/1976	Heidorn et al.	
4,871,136	A	10/1989	Bessinger et al.	
4,986,427	A	1/1991	Law et al.	
5,403,083	A	4/1995	Dasher et al.	
5,454,638	A	10/1995	Bird et al.	
5,516,204	A	5/1996	Calvert et al.	
D547,640	S *	7/2007	Remmers	D8/381
7,296,697	B2	11/2007	Costa et al.	
7,409,790	B2	8/2008	Stepp	

7,478,892	B2	1/2009	Punzel et al.	
7,494,019	B2	2/2009	Kessell et al.	
7,497,533	B2 *	3/2009	Remmers	312/404
D596,932	S *	7/2009	Kleinsasser	D8/381
D618,087	S *	6/2010	Stafford et al.	D8/363
2004/0130250	A1	7/2004	Cleveland et al.	
2004/0140280	A1	7/2004	Cleveland et al.	
2005/0029209	A1	2/2005	Engel	
2005/0133473	A1	6/2005	Lesperance	
2007/0246625	A1	10/2007	Bienick	

* cited by examiner

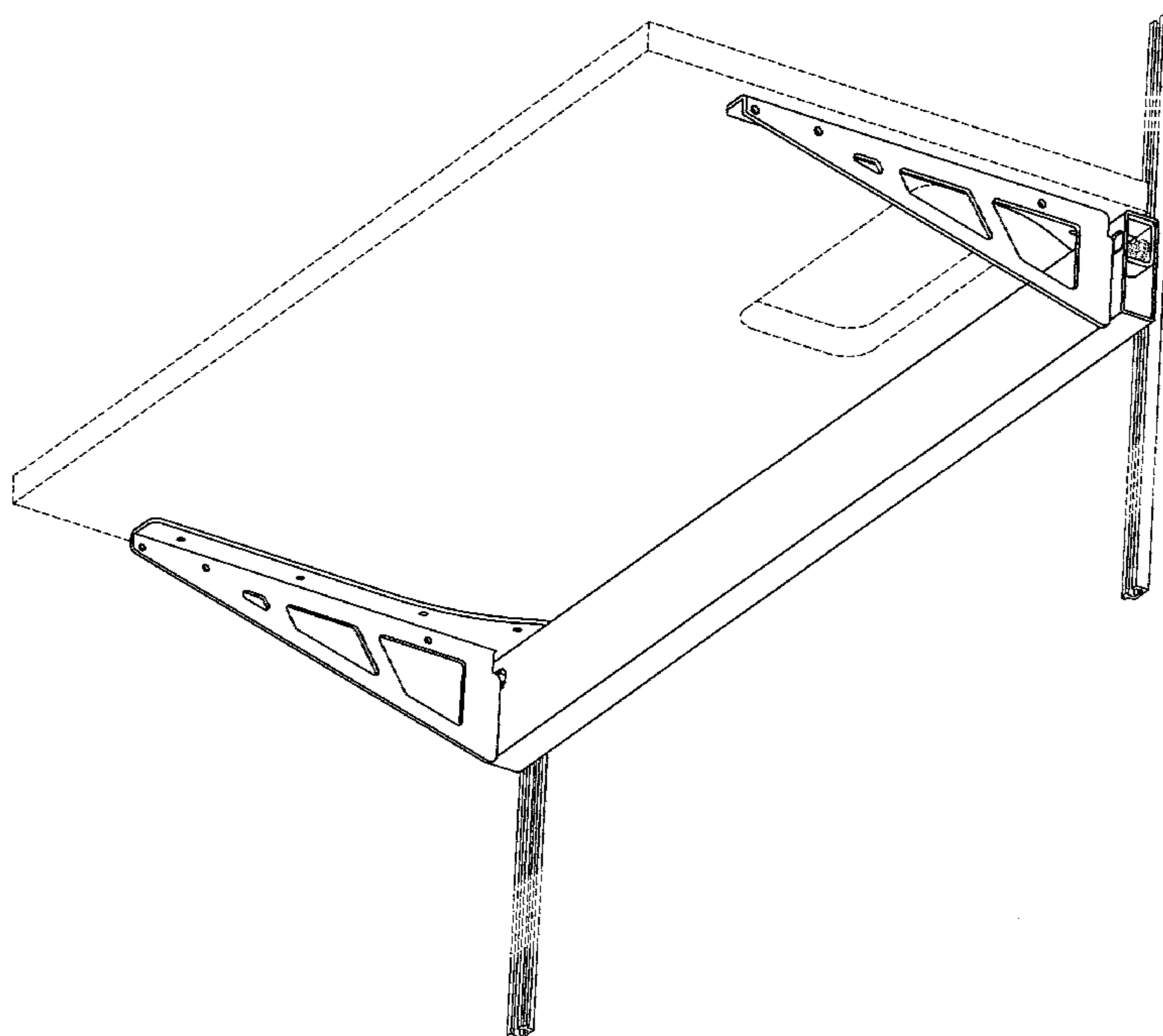
Primary Examiner — Brian N. Vinson
(74) *Attorney, Agent, or Firm* — Ostrager Chong Flaherty & Broitman P.C.

(57) **CLAIM**
The ornamental design for an adjustable shelf, as shown and described.

DESCRIPTION

FIG. 1 is a front, bottom and right side perspective view of an adjustable shelf showing my new design;
FIG. 2 is a front, bottom and right side partial perspective view thereof;
FIG. 3 is a front plan view of the partial view shown in FIG. 2;
FIG. 4 is a top view thereof;
FIG. 5 is a right side view thereof;
FIG. 6 is a back plan view thereof; and,
FIG. 7 is a bottom view thereof.
The broken-line disclosure is understood to represent unclaimed portions of the article in which the claimed design is embodied.

1 Claim, 7 Drawing Sheets



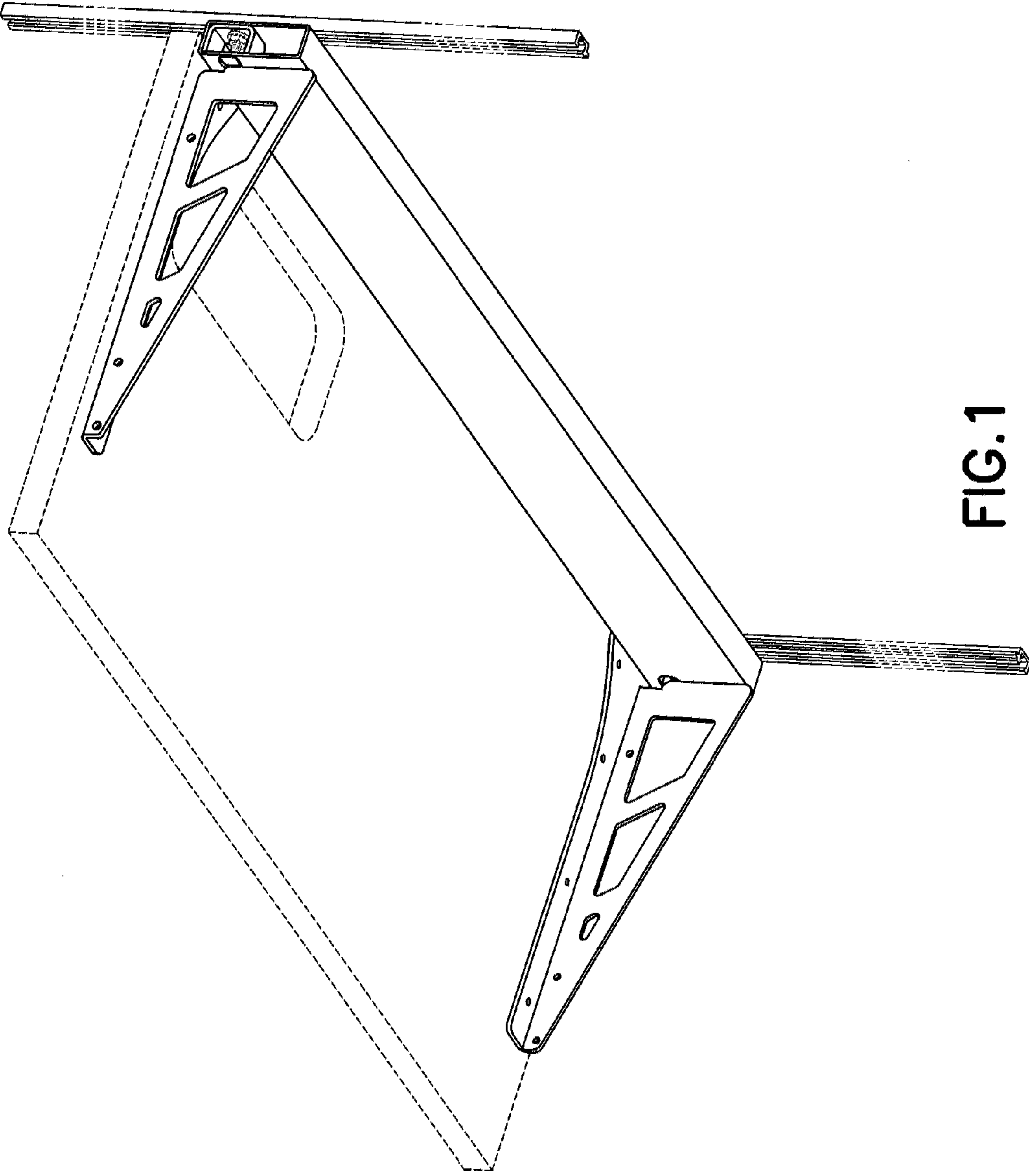


FIG. 1

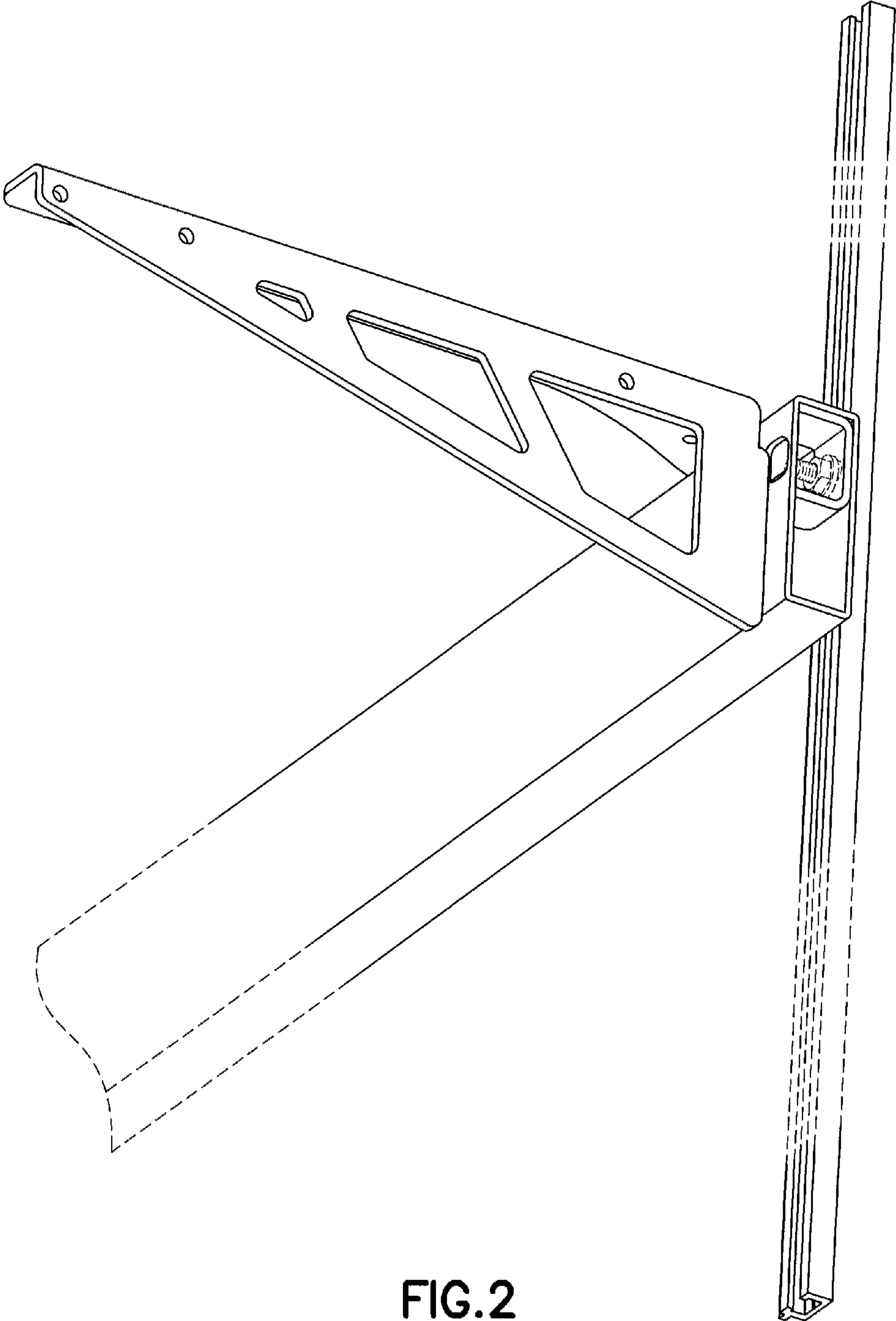


FIG.2

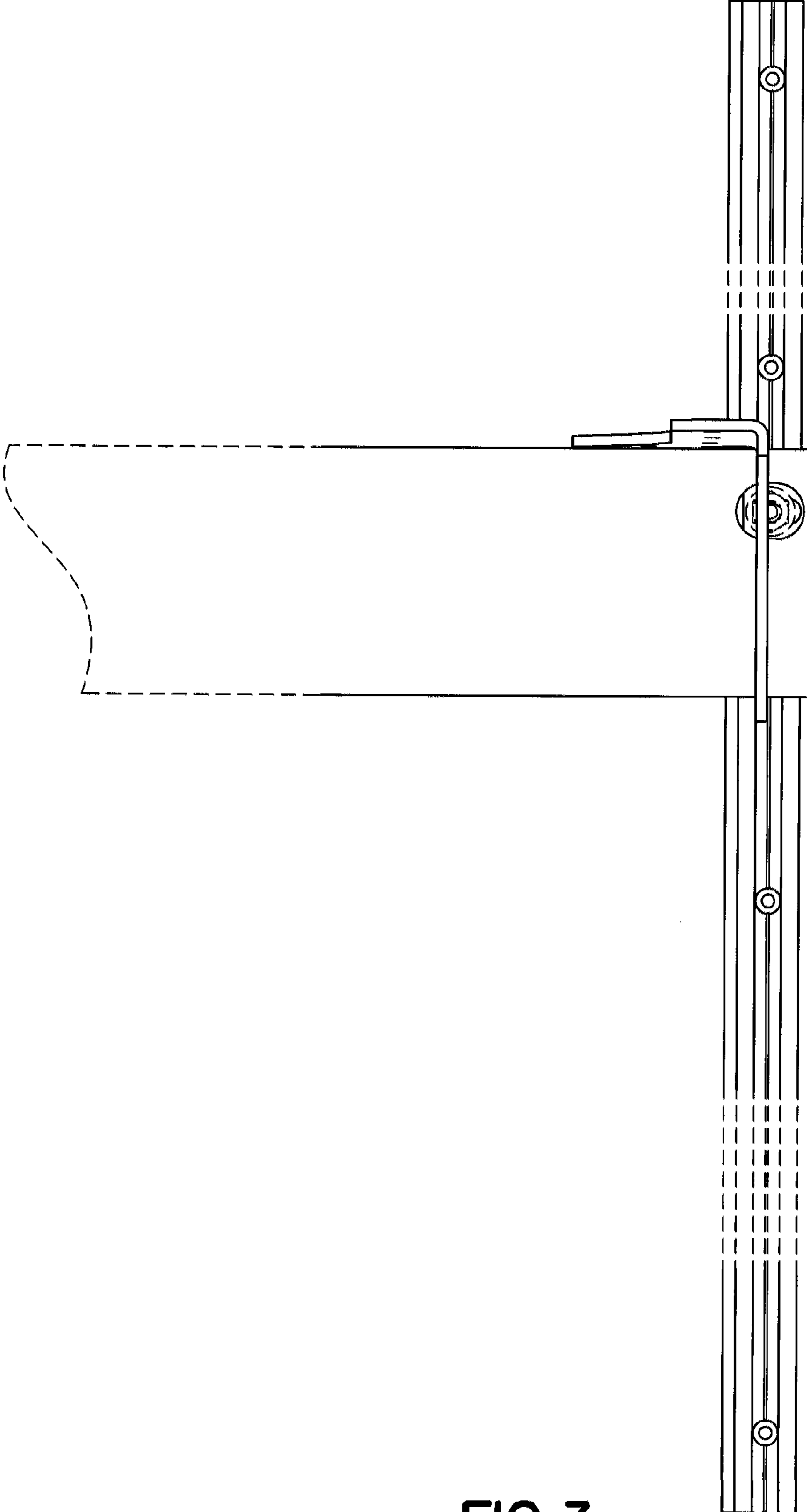


FIG.3

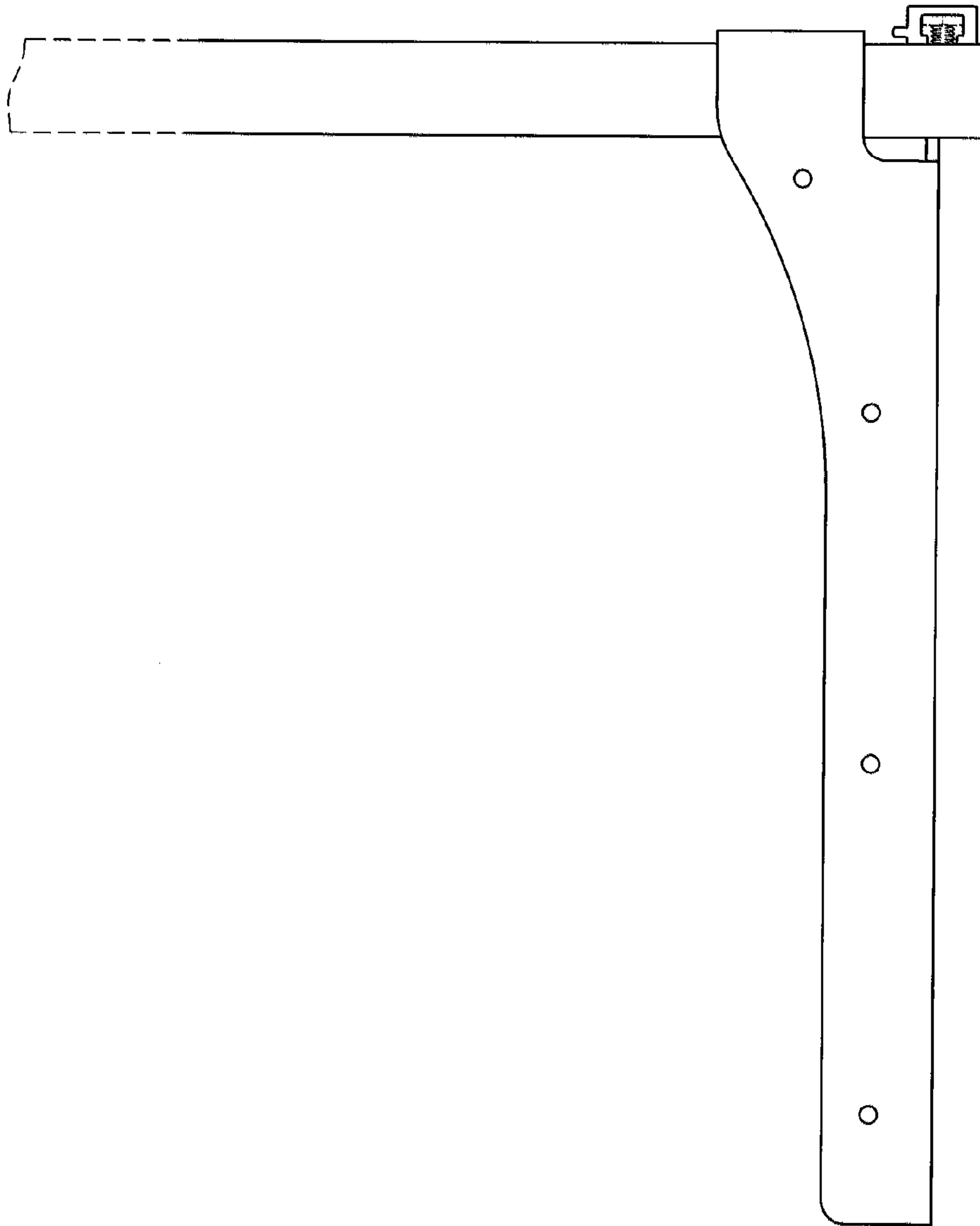


FIG.4

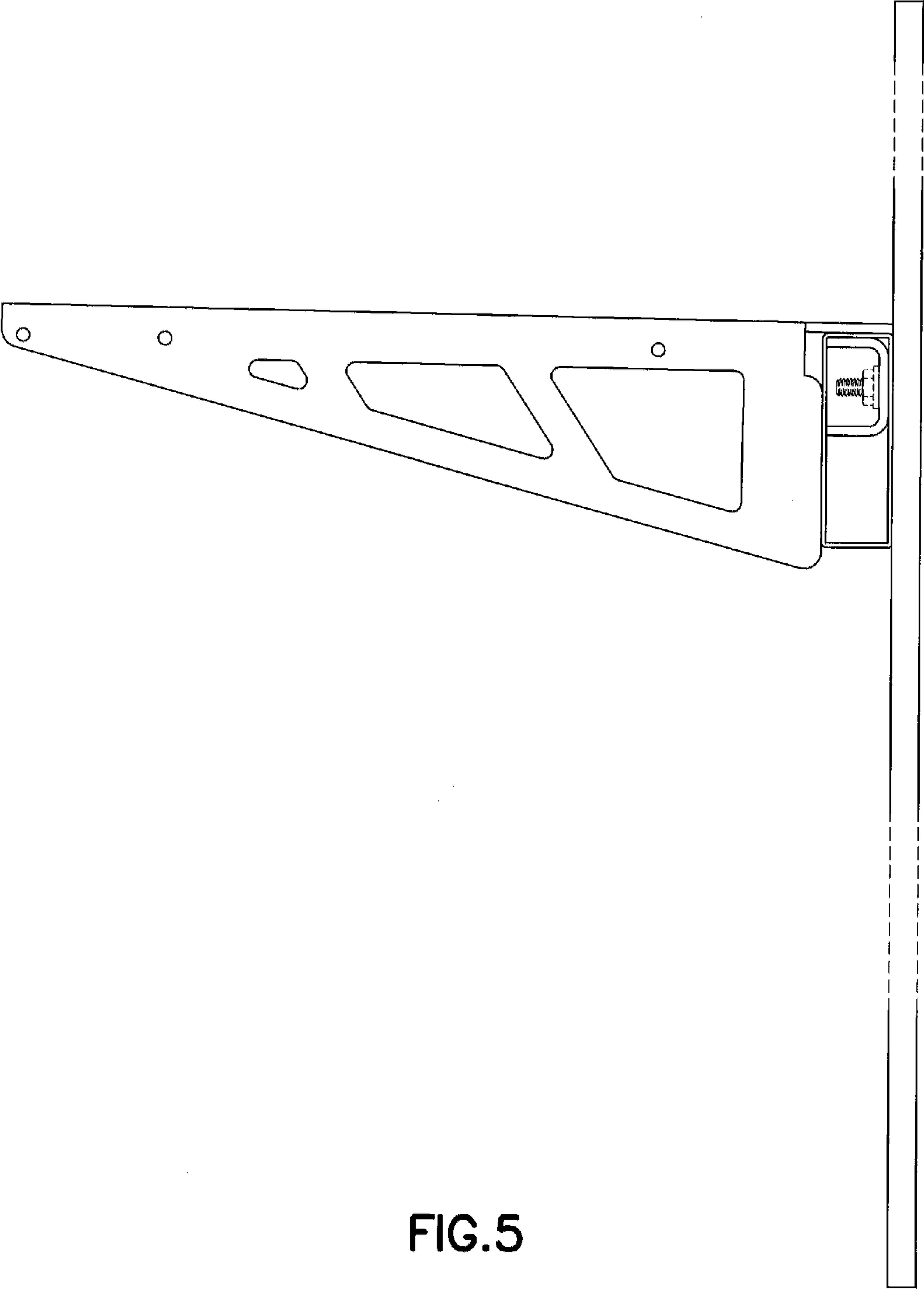


FIG.5

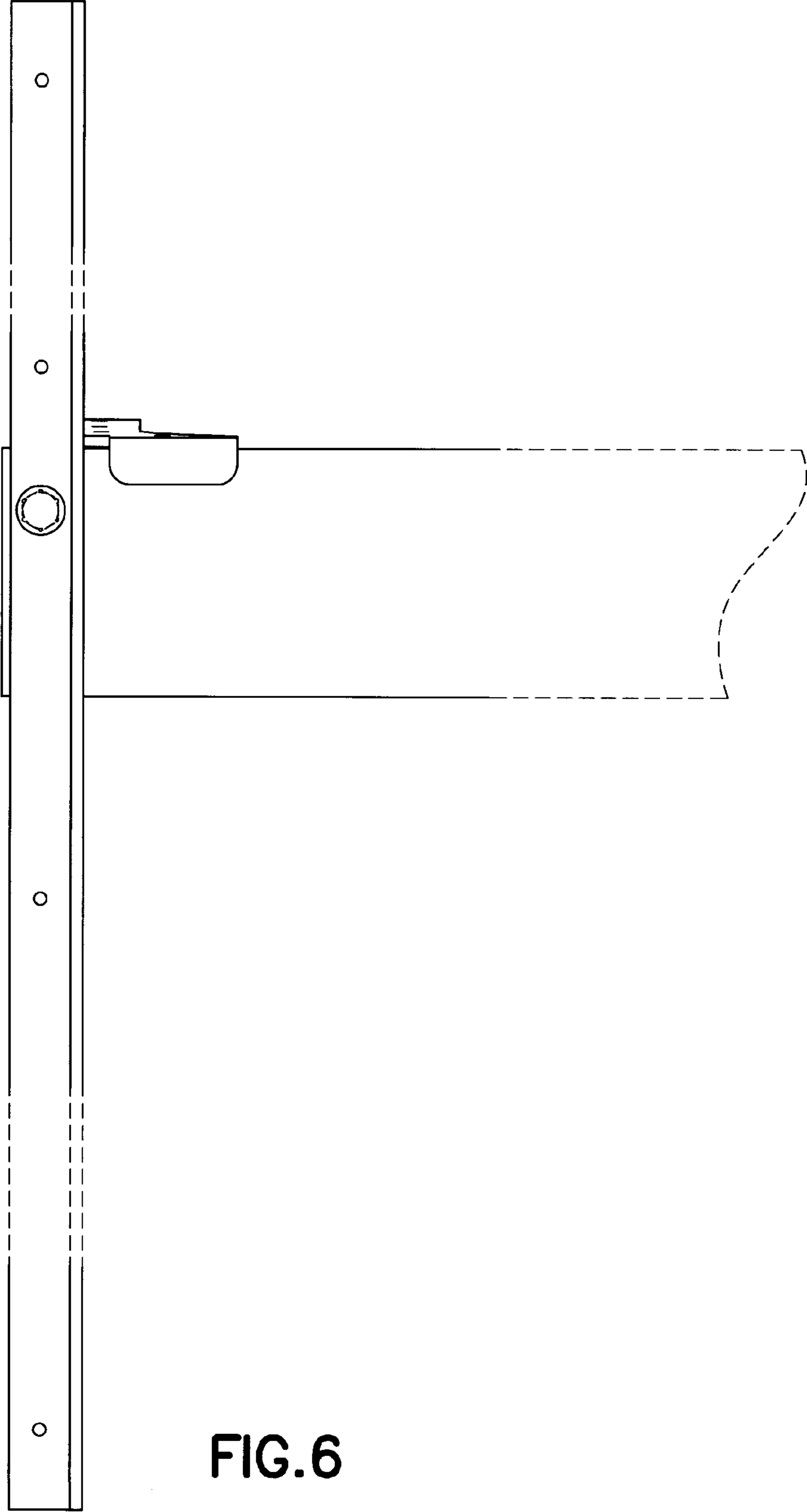


FIG.6

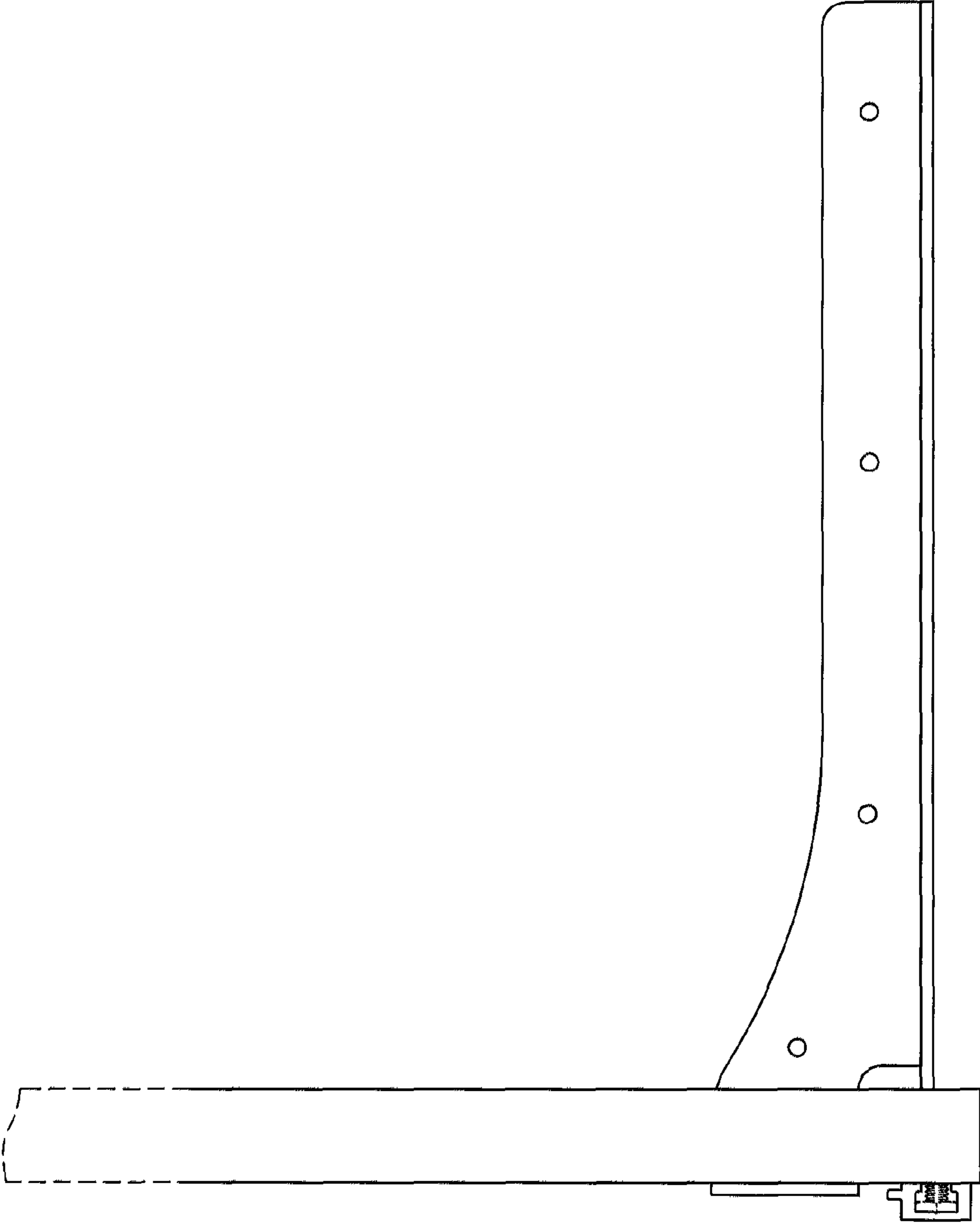


FIG. 7